

2023

Rules for the Classification of Steel Ships

**Part 15 Structural Rules for Membrane Type
Liquefied Natural Gas Carriers**



2023

Rules for the Classification of Steel Ships

Part 15

**Structural Rules for
Membrane Type
Liquefied Natural Gas Carriers**

STRUCTURAL RULES FOR MEMBRANE TYPE LIQUEFIED NATURAL GAS CARRIERS

Foreword

1. Unless expressly specified otherwise, the requirements in the Rules apply to ships for which are contracted for construction are signed on or after 1 July 2023.
2. The amendments to the Rules for 2022 edition and their effective date are as follows;

Summary of changes

| No | Amendment | Rule Version Date | Effective Date |
|----|--------------------------------|--------------------|---------------------|
| 1 | Rule Change Amendment 1 | 01 Jan 2022 | 01 July 2022 |
| 2 | Rule Change Amendment 2 | 01 Jan 2023 | 01 July 2023 |

Effective Date 1 July 2023

Chapter 2 General Arrangement

Section 2 - Subdivision Arrangement

- 1.2 has been deleted.
- 3.1.4 has been amended.
- 4. has been deleted.
- 5. has been deleted.
- 6. has been deleted.

Chapter 3 Structural Design Principles

Section 6 - Structural detail principles

- 3.4.1 has been amended.
- 5.2.2 has been amended.
- 5.2.2 Table 1 has been amended.
- 5.2.8 Table 2 has been amended.

Section 7 - Structural idealisation

- 1.4.6 has been amended.

Chapter 4 Loads

Section 3 - Ship motions and accelerations

- Some Symbols have been deleted.

Section 4 - Hull girder loads

- 2.3.2 has been amended.

Section 5 - External loads

- 3.2.1 has been amended.

Section 6 - Internal loads

- 2.2.1 has been amended.
- 2.2.2 has been amended.
- 4.1.2 has been amended.

Section 7 - Design load scenarios

- 2.2.1 Table 2 has been amended.

Chapter 6 Hull Local Scantling

Section 2 - Load Application

- 2.1 Table 1 has been amended.

Section 3 - Minimum Thickness

- 3.1.1 Table 3 has been amended.

Section 4 - Plating

- 2.7.2 has been amended.

Section 5 - Stiffeners

- 2.1.2 has been amended.

Chapter 8 Buckling

Section 1 - General

- 3.2.2 has been amended.

Section 2 - Slenderness requirements

- 1.1.1 has been amended.
- 3.1.1 Table 1 has been amended.
- 3.1.2 has been amended.

Section 4 - Buckling Requirements for Direct Strength Analysis

- 2.2.1 Fig 2 has been amended.

Section 5 - Buckling capacity

- Some Symbols have been amended.
- 2.1.1 has been amended.
- 2.1.2, 2.1.3, 2.1.4 have been added.
- 2.2.7, 2.2.7 Table 3 have been amended.
- 2.3.2 has been amended.
- 2.3.4, 2.3.4 Table 5 have been amended.
- 2.3.6 has been amended.
- 2.3. Table 6 have been amended.

Chapter 9 Fatigue

Section 3 - Fatigue Evaluation

- 6.1.1 has been amended.
- 6.4.1 has been amended.

Chapter 10 Other Structures

Section 1 - Fore Part

- 3.2.5 has been amended.

- 3.2.7 has been amended.

Chapter 12 Construction

Section 3 - Design of Weld Joints

- 2.5.2 Table 2 has been amended.

Editorial corrections may have been made by Corrigenda for typo., etc.

Table of Contents

| | |
|--|------------|
| CHAPTER 1 Rule General Principles | 1 |
| SECTION 1 Application | 2 |
| SECTION 2 Rule Principles | 5 |
| SECTION 3 Verification of Compliance | 16 |
| SECTION 4 Symbols and Definitions | 22 |
| SECTION 5 Loading Manual and Loading Instruments | 39 |
| | |
| CHAPTER 2 General Arrangement Design | 43 |
| SECTION 1 General | 44 |
| SECTION 2 Subdivision Arrangement | 45 |
| SECTION 3 Compartment Arrangement | 47 |
| SECTION 4 Access Arrangement | 50 |
| | |
| CHAPTER 3 Structural Design Principles | 51 |
| SECTION 1 Materials | 52 |
| SECTION 2 Net Scantling Approach | 60 |
| SECTION 3 Corrosion Additions | 65 |
| SECTION 4 Corrosion Protection | 67 |
| SECTION 5 Limit States | 69 |
| SECTION 6 Structural Detail Principles | 73 |
| SECTION 7 Structural Idealisation | 98 |
| | |
| CHAPTER 4 Loads | 119 |
| SECTION 1 Introduction | 120 |
| SECTION 2 Dynamic Load Cases | 123 |
| SECTION 3 Ship Motions and Accelerations | 138 |
| SECTION 4 Hull Girder Loads | 143 |
| SECTION 5 External Loads | 149 |
| SECTION 6 Internal Loads | 180 |
| SECTION 7 Design Load Scenarios | 187 |
| | |
| CHAPTER 5 Hull Girder Strength | 193 |
| SECTION 1 Hull Girder Yielding Strength | 194 |
| APPENDIX 1 Direct Calculation of Shear Flow | 203 |
| | |
| CHAPTER 6 Hull Local Scantling | 207 |
| SECTION 1 General | 208 |
| SECTION 2 Load Application | 209 |

| | | |
|-------------------|---|------------|
| SECTION 3 | Minimum Thicknesses | 212 |
| SECTION 4 | Plating | 214 |
| SECTION 5 | Stiffeners | 219 |
| SECTION 6 | Primary Supporting Members and Pillars | 224 |
| CHAPTER 7 | Direct Strength Analysis | 229 |
| SECTION 1 | Strength Assessment | 230 |
| SECTION 2 | Cargo Hold Structural Strength Analysis | 233 |
| SECTION 3 | Local Structural Strength Analysis | 272 |
| CHAPTER 8 | Buckling | 277 |
| SECTION 1 | General | 278 |
| SECTION 2 | Slenderness Requirements | 281 |
| SECTION 3 | Prescriptive Buckling Requirements | 289 |
| SECTION 4 | Buckling Requirements for Direct Strength Analysis | 293 |
| SECTION 5 | Buckling Capacity | 301 |
| APPENDIX 1 | Stress Based Reference Stresses | 325 |
| CHAPTER 9 | Fatigue | 329 |
| SECTION 1 | General Considerations | 330 |
| SECTION 2 | Structural Details to be Assessed | 336 |
| SECTION 3 | Fatigue Evaluation | 343 |
| SECTION 4 | Simplified Stress Analysis | 361 |
| SECTION 5 | Finite Element Stress Analysis | 377 |
| SECTION 6 | Detail Design Standard | 391 |
| CHAPTER 10 | Other Structures | 403 |
| SECTION 1 | Fore Part | 404 |
| SECTION 2 | Machinery Space | 414 |
| SECTION 3 | Aft Part | 418 |
| CHAPTER 11 | Superstructure, Deckhouses and Hull Outfitting | 423 |
| SECTION 1 | Superstructures, Deckhouses and Companionways | 424 |
| SECTION 2 | Bulwark and Guard Rails | 428 |
| SECTION 3 | Equipment | 431 |
| SECTION 4 | Supporting Structure for Deck Equipment and Fittings | 432 |
| CHAPTER 12 | Construction | 439 |
| SECTION 1 | Construction and Fabrication | 440 |
| SECTION 2 | Fabrication by Welding | 444 |
| SECTION 3 | Design of Weld Joints | 447 |

| | |
|--|------------|
| CHAPTER 13 Ship in Operation – Renewal Criteria | 461 |
| SECTION 1 Principles and Survey Requirements | 462 |
| SECTION 2 Acceptance Criteria | 463 |

Chapter 1

General Principles

Section 1 Application

Section 2 Rule Principles

Section 3 Verification of Compliance

Section 4 Symbols and Definitions

Section 5 Loading Manual and Loading Instrument

Section 1 – Application

1. Scope of application

1.1 General

1.1.1

These Rules apply to the following ships:

- a) Ships intended to be registered and classed as “Liquefied Gas Carrier” and:
- b) Membrane type liquefied natural gas carriers having a length L of 150 m above and:
- c) Being self-propelled ships with unrestricted navigation.

Note 1: Unrestricted navigation means that the ship is not subject to any geographical restrictions (i.e. any oceans, any seasons) except that limited by the ship’s capability for operation in ice.

Note 2: Membrane type means that the ship has membrane tanks (3M notation assigned) as a cargo containment system in hold for the carriage of liquefied gases in bulk.

1.1.2

These Rules apply to ships constructed of welded steel structures and composed of stiffened plate panels. The ship’s structure is to be longitudinally or transversely framed with full transverse bulkheads and intermediate web frames. The typical arrangements of ships covered by the rules assume that the structural arrangements include:

- Double bottom, the depth of which is to be in accordance with applicable statutory requirements.
- Engine room located aft of the cargo tank/hold region.

1.1.3

Ships for which these Rules are not applicable are to comply with the relevant Rules of the Society.

1.1.4 Stability of ship

The requirements in the Rules are framed for ships having appropriate stability in all conceivable conditions. The Society emphasizes that the special attention be paid to the stability by the builders in design and construction stage and by the masters while in service.

1.2 Scope of application

1.2.1

These Rules apply to ship structures with a length not less than 150 m intended to carry liquefied natural gas in bulk with a cargo containment system in holds in accordance with **Pt 7, Ch 5**.

Typical midship sections are shown in **Figure 1**.

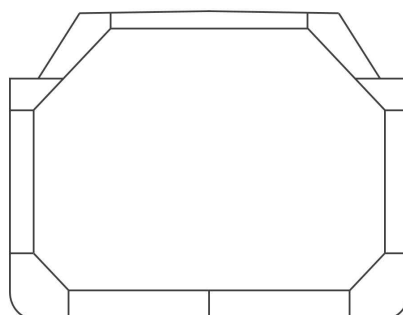


Figure 1 : Typical arrangements of membrane type liquefied natural gas carriers

1.2.2 Cargo temperature application

The Rules are based on the design temperature of the cargo is -163°C .

2. Rule application

2.1 Rule description

2.1.1 Rule structure

This Rules are structured in chapters giving instructions for detail application and requirements which are applied in order to satisfy the rule objectives.

2.1.2 Numbering

The system of numbering is given in **Table 1**.

Table 1 : Rule numbering and abbreviations

| Order | Levels | Example | Abbreviations |
|-------|--------------|----------------------------------|----------------|
| 1 | Chapter | Chapter 1 - General Requirements | Ch 1 |
| 2 | Section | Section 1 - Application | Sec 1 |
| 3 | Article | 1. Scope of application | [1] |
| 4 | Sub-article | 1.1 General | [1.1] |
| 5 | Requirements | 1.1.1 These Rules apply to... | [1.1.1] |

2.2 Rule requirements

2.2.1

These Rules provides requirements common to membrane type liquefied natural gas carrier as follow:

- Chapter 1 : General Principles
- Chapter 2 : General Arrangement Design
- Chapter 3 : Structural Design Principles
- Chapter 4 : Loads
- Chapter 5 : Hull Girder Strength
- Chapter 6 : Hull Local Scantling
- Chapter 7 : Direct Strength Analysis
- Chapter 8 : Buckling
- Chapter 9 : Fatigue
- Chapter 10 : Other Structures
- Chapter 11 : Superstructure, Deckhouses and Hull Outfitting
- Chapter 12 : Construction
- Chapter 13 : Ship in Operation - Renewal Criteria

The provisions of the **Ch 1, 2, 3, 4, 5, 6, 8, 12** and **13** are applicable all over the ship length. The **Ch 7, 9, 10** and **11** define their own scope of application.

2.2.2 General criteria

The ship arrangement, the proposed details and the offered scantling in net or gross, as the case may, are to comply with the requirements and the minimum scantling given the Rules.

2.3 Structural requirements

2.3.1 Materials and welding

The Rules apply to welded hull structures made of steel having characteristics complying with requirements in **Ch 3, Sec 1**. The Rules applies also to welded steel ships in which parts of the hull, such as superstructures are built in material other than steel, complying with requirements in **Ch 3, Sec 1**. Ships whose hull materials are different than those given in the first paragraph are to be individually considered by the Society, on the basis of the principles and criteria adopted in the present rules.

2.4 Ship parts

2.4.1 General

For the purpose of application of the present rules, the ship is considered as divided into the following five parts:

- Fore part.
- Cargo hold region.
- Machinery space.
- Aft part.
- Superstructures and deckhouse.

2.4.2 Fore part

The part is that part of the ship located forward of fwd transverse bulkhead of cargo hold region.

2.4.3 Cargo hold region

The cargo hold region is the part of the ship that contains cargo hold tanks. It includes the full breadth and depth of the ship. Where fitted, the cofferdams, ballast or void spaces at the after end of the aftermost hold space or at the forward end of the foremost hold space are excluded from the cargo hold region. The cargo hold region does not include the pump room, if any.

2.4.4 Machinery space

The machinery space is the part of the ship between the aft peak bulkhead and the transverse bulkhead at the aft end of the cargo hold region and includes the pump room, if any.

2.4.5 Aft part

The aft part includes the structures located aft of the aft peak bulkhead.

2.4.6 Superstructures and deckhouses

A superstructure is a decked structure on the freeboard deck extending from side to side of the ship or with the side plating not being inboard of the shell plating more than $0.04B$. A deckhouse is a decked structure on the freeboard or superstructure deck which does not comply with the definition of a superstructure.

2.4.7 Novel designs

Ships with novel features or unusual hull design are to comply with **Ch 1, Sec 3, [6.2]**.

3. Application of the Rules of the Society

3.1 Structural parts not covered by these Rules

3.1.1

Designer should take care that parts of the structure that these Rules do not cover comply with the relevant requirements of the Society's Rule.

Section 2 – Rule Principles

1. General

1.1 Rule objectives

1.1.1

The objectives of the Rules are to establish the classification minimum requirements to mitigate the risks of major hull structural failure in order to help improve the safety of life, environment and property and to contribute to the durability of the hull structure for the ship's design life.

1.1.2

The sub-sections contain:

- The general assumptions pertaining to the design, construction and operation of the ship and give information on the assumed roles of the Society, builders, designers and owners.
- The design basis which specifies the premises on which the Rules are based in terms of design parameters and assumptions about the ship operation.
- The design principles which define the fundamental principles used for the structural requirements in the Rules with respect to loads and structural capacity.
- The rule design methods which describe how the design principles are applied and the criteria are used in view of [1.1.1].

2. General assumptions

2.1 International and national regulations

2.1.1

Ships are to be designed, constructed and operated in compliance with the regulatory framework prescribed by the **International Maritime Organization** (IMO) and implemented by National Administrations or the Society on their behalf. The builder is to give due consideration to the influence on the structural design and arrangement from the relevant requirements of the **International Labour Organization** (ILO) implemented by National Administrations or the Society on their behalf.

2.1.2

The Rules are based on the assumption that the applicable statutory requirements are complied with.

2.2 Application and implementation of the Rules

2.2.1

The Society develops and publishes the rules for classification of ships, containing minimum requirements for the hull structure and essential engineering systems. The Society verifies compliance with the classification requirements and the applicable international regulations when authorized by a National Administration during design, construction and operation of the ship. The transportation and loading/unloading equipments including cargo containment system for liquefied natural gas are to be governed by **Pt 7, Ch 5**.

2.2.2

These Rules address the hull structural aspects of classification and do not include requirements related to the verification of compliance with the Rules during construction and operation. In order to achieve the safety level targeted by the Rules, a number of aspects related to design, construction and operation of

the ship are assumed to be adhered to by the parties involved in the application and implementation of the Rules. A summary of these assumptions are given in the following:

a) General aspects:

- Relevant information and documentation involved in the design, construction and operation is communicated between the builder, the designer, the Society and the owner as agreed between builder and owner. Design documentation according to Rule requirements is provided.
- Quality systems are applied to the design, construction, operation and maintenance activities by owners and other relevant parties to ensure the compliance with the requirements of the Rules.

b) Design aspects:

- The owner specifies the intended use of the ship, and the ship is designed according to operational requirements as well as the structural requirements given in the Rules.
- The builder identifies and documents the operational limits for the ship so that the ship can be safely and efficiently operated within these limits.
- Verification of the design is performed by the builder to check compliance with provisions contained in the Rules in addition to national and international regulations.
- The design is performed by appropriately qualified, competent and experienced personnel.
- The Society performs a technical appraisal of the design plans and related documents for a ship to verify compliance with the appropriate classification Rules.

c) Construction aspects:

- The builder provides adequate supervision and quality control during the construction.
- Construction is carried out by qualified and experienced personnel.
- Workmanship, including alignment and tolerances, is in accordance with acceptable shipbuilding standards.
- The Society performs surveys to verify that the construction and quality control are in accordance with the classification features of approved plans and procedures.

d) Operational aspects:

- Personnel involved in operations are aware of, and comply with, the operational limitations of the ship.
- Operations personnel receive sufficient training such that the ship is properly handled so that the loads and resulting stresses imposed on the structure are minimised.
- The ship is maintained in adequate condition and in accordance with the Society survey scheme and international and national regulations and requirements.
- The Society performs surveys to verify that the ship is maintained in class in accordance with the Society survey scheme.

3. Design basis

3.1 General

3.1.1

This sub-section specifies the design parameters and the assumptions about the ship operation that are used as the basis of the design principles of the Rules.

3.1.2

Ships are to be designed to withstand, in the intact condition, the environmental conditions as defined in [4.3.2] and [4.3.3] anticipated during the design life, for the appropriate loading conditions. Structural strength is to be determined against buckling and yielding. Ultimate strength calculations have to include ultimate strength of plates and stiffeners.

3.1.3 Finite element analysis

The strength of the structural members within the cargo hold region of ships is to be assessed according to the requirements specified in **Ch 7**.

3.1.4 Fatigue life

Ships are to be assessed according to the design fatigue life for structural details specified in **Ch 9**.

3.1.5

The Rules are applicable for ships in compliance with the specified design basis. Special consideration is given to deviations from this design basis.

3.1.6

The design basis used for the design of each ship is to be documented and submitted to the Society as part of the design review and approval. All changes of the design basis are to be formally advised to the Society and the owner for approval.

3.2 Hull form limit

3.2.1

The Rules assume the following hull form with respect to environmental loading:

- $150 \text{ m} \leq L < 400 \text{ m}$
- $L/B > 5$
- $B/D < 5$
- $0.55 \leq C_B \leq 0.9$

3.3 Design life

3.3.1

A design life of 25 years is assumed for selecting ship design parameters. The specified design life is the nominal period that the ship is assumed to be exposed to operating conditions.

3.4 Environmental conditions

3.4.1 North Atlantic wave environment

The rule requirements except fatigue limit state are based on a ship trading in the North Atlantic wave environment.

3.4.2 Wind and current

The effects of wind and current with regard to the strength of the structure are not considered.

3.4.3 Ice

Snow and icing shall be considered, if relevant. Loads due to navigation in ice shall be considered for vessels intended for such service.

3.4.4 Design temperatures

The Rules assume that the structural assessment of hull strength members is valid for the following design temperatures:

- Lowest mean daily average temperature in air is -10°C .
- Lowest mean daily average temperature in seawater is 0°C .

The hull material in cargo hold region shall be determined according to **Ch 3, Sec 1 [1.1.2]** and **Ch 3, Sec**

1, [2]. For ships intended to operate in areas with lower mean daily average temperature, the Society may require the grade of higher toughness, regardless of the requirements in **Ch 3, Sec 1, [2.3]**. In the above, the following definitions apply:

- Mean : Statistical mean over observation period (at least 20 years).
- Daily Average : Average during one day and night.
- Lowest : Lowest during year.

For seasonally restricted service the lowest value within the period of operation applies.

3.4.5 Thermal loads

Hull structures intended to support cargo containment system should not be considered thermal loads due to cooling down.

3.5 Operating conditions

3.5.1

The Rules specify minimum loading conditions that are to be assessed for compliance. Specification of loading conditions other than those required by the Rules is the responsibility of the owner. These other loading conditions are to be documented and also be assessed for compliance.

3.6 Operating draughts

3.6.1

The design operating draughts are to be specified by the builder/designer subject to acceptance by the owner and are to be used to derive the appropriate structural scantlings. All operational loading conditions in the loading manual are to comply with the specified design operating draughts. The following design operating draughts are as a minimum to be considered:

- Scantling draught for the assessment of structure.
- Minimum ballast draught at midship for assessment of structure.
- Minimum forward draughts for the assessment of bottom structure forward subjected to slamming loads, as defined in **Ch 4, Sec 5, [3.2.1]**.

3.7 Internal environment

3.7.1 Cargo density for strength assessment

A density of 0.5 t/m^3 is to be used for cargoes for the strength assessment of all relevant cargo tank structures.

3.7.2 Cargo density for fatigue assessment

For the fatigue assessment of cargo tank structures, the mean density is to be taken as 0.46 t/m^3 , or a higher value if specified by the designer.

3.7.3 Water ballast density

A density of 1.025 t/m^3 is to be used for water ballast.

3.8 Structural construction and inspection

3.8.1

The structural requirements included in the Rules are developed with the assumption that construction and repair follow acceptable shipbuilding and repair standards and tolerances. The Society may require

that additional attention is paid to critical areas of the structure by the builder during construction and by the owner for repair after the ship's delivery.

3.8.2

As an objective, ships are to be built in accordance with controlled quality production standards using approved materials as necessary.

3.8.3

The Rules define the renewal criteria for the individual structural items. The structural requirements included are developed on the assumption that the structure is subject to appropriate monitoring by the owner once the ship is in operation and to periodical survey in accordance with Society rules and regulations.

3.8.4

Tank strength and tightness testing are to be carried out as a part of the verification scheme according to Pt 1, Ch 1, Sec 3, 306 of the Rules.

3.8.5

Specifications for material manufacturing, assembling, joining and welding procedures, steel surface preparation and coating are to be included in the ship construction quality procedures. It is assumed that the owner has approved these builder specifications.

3.9 Maximum service speed

3.9.1

The maximum service speed is to be specified in the design specification. Although the hull structure verification criteria takes into account the service speed this does not relieve the responsibilities of the owner and personnel to properly handle the ship and reduce speed or change heading in severe weather.

3.10 Owner's extras

3.10.1

Owner's specification of requirements above the general classification or statutory requirements may affect the structural design. Owner's extras may include requirements for:

- Vibration analysis.
- Maximum percentage of high strength steel.
- Additional scantlings above that required by the Rules.
- Additional design margin on the loads specified by the Rules, etc.
- Improved fatigue resistance, in the form of a specified increase in design fatigue life or equivalent.

Owner's extras are not specified by these Rules. Owner's extras, if any, that may affect the structural design are to be clearly specified in the design documentation.

4. Design principles

4.1 Overall principles

4.1.1 Introduction

This sub-section defines the underlying design principles of the Rules in terms of loads, structural capacity models and assessment criteria and also construction and in-service aspects.

4.1.2 General

The Rules are based on the following overall principles:

- The safety of the structure can be assessed by addressing the potential structural failure mode(s) when the ship is subjected to operational loads and environmental loads/conditions.
- The design complies with the design basis, see **Ch 1, Sec 3**.
- The structural requirements are based on consistent design load sets which cover the appropriate operating modes of membrane type liquefied natural gas carrier.

4.1.3 Limit state design principles

The rules are based on the principles of limit state design.

Limit state design is a systematic approach where each structural element is evaluated with respect to possible failure modes related to the design scenarios identified. For each retained failure mode, one or more limit states may be relevant. By consideration of all relevant limit states, the limit load for the structural element is found as the minimum limit load resulting from all the relevant limit states.

The limit states defined in **Ch 3, Sec 5** are divided into the four categories: Serviceability Limit State (SLS), Ultimate Limit State (ULS), Fatigue Limit State (FLS) and Accidental Limit State (ALS).

The Rules include requirements to cover the relevant limit states for the various parts of the structure.

4.2 Loads

4.2.1 Design load scenarios

The structural assessment of the structure is based on the design load scenarios encountered by the ship. Refer to **Ch 4, Sec 7**.

The design load scenarios are based on static and dynamic loads as given below:

- Static design load scenario (S):
Covers tank testing and application of relevant static loads and typically covers load scenarios in harbour, sheltered water.
- Static plus Dynamic design load scenario (S+D):
Covers application of relevant static loads and simultaneously occurring dynamic load components and typically cover load scenarios for seagoing operations.
- Tank test and overflowing event design load scenario (T):
Covers application of relevant static loads, e.g. tank testing and overflowing of tank in harbour, sheltered water.
- Impact design load scenario (I):
Covers application of impact loads such as bottom slamming and bow impact encountered during seagoing operations.
- Sloshing design load scenario (SL):
Covers application of sloshing loads encountered during seagoing operations.
- Fatigue design load scenario (F):
Covers application of relevant dynamic loads.
- Accidental design load scenario (A):
Covers application of some loads not occurring during normal operations.

4.3 Structural capacity assessment

4.3.1 General

The basic principle in structural design is to apply the defined design loads, identify plausible failure modes and employ appropriate capacity models to verify the required structural scantlings.

4.3.2 Capacity models for ULS, SLS and ALS

The strength assessment method is to be capable of analysing the failure mode in question to the required degree of accuracy. The structural capacity assessment methods are in either a prescriptive format or require the use of more advanced calculations such as finite element analysis methods. The formulae used to determine stresses, deformations and capacity are deemed appropriate for the selected capacity assessment method and the type and magnitude of the design load set.

4.3.3 Capacity models for FLS

The fatigue assessment method provides Rule requirements to assess structural details against fatigue failure. The fatigue capacity model is based on a linear cumulative damage summation (Palmgren–Miner’s rule) in combination with a design S–N curve, a reference stress range and an assumed long-term stress distribution curve. The fatigue capacity assessment models are in either a prescriptive format or require the use of more advanced calculations, such as finite element analysis methods. These methods account for the combined effects of global and local dynamic loads.

4.3.4 Net scantling approach

The application of the net thickness approach to assess the structural capacity is specified in **Ch 3, Sec 2**.

4.3.5 Intact structure

All strength calculations for ULS, SLS and FLS are based on the assumption that the structure is intact.

5. Rule design method

5.1 General

5.1.1 Design methods

Scantling requirements are specified to cover the relevant limit states (ULS, SLS, FLS and ALS) as necessary for various structural parts. The criteria for the assessment of the scantlings are based on one of the following design methods:

- Working Stress Design (WSD) method, also known as the permissible or allowable stress method.
- Partial Safety Factor (PSF) method, also known as Load and Resistance Factor Design (LRFD).

For both WSD and PSF, two design assessment conditions and corresponding acceptance criteria are given. These conditions are associated with the probability level of the combined loads, A and B.

5.1.2 WSD method

- $W_{stat} \leq \eta_1 R$ for condition A
- $W_{stat} + W_{dyn} \leq \eta_2 R$ for condition B

where

W_{stat} : Simultaneously occurring static loads (or load effects in terms of stresses).

W_{dyn} : Simultaneously occurring dynamic loads. The dynamic loads are typically a combination of local and global load components.

R : Characteristic structural capacity (e.g. specified minimum yield stress or buckling capacity).

η_i : Permissible utilisation factor (resistance factor). The utilisation factor includes consideration of uncertainties in loads, structural capacity and the consequence of failure.

5.1.3 PSF method

- $\gamma_{sta-1} W_{sta} + \gamma_{dyn} W_{dyn} \leq \frac{R}{\gamma_R}$ for condition A

$$\bullet \quad \gamma_{sta-i} W_{sta} + \gamma_{dyn} W_{dyn} \leq \frac{R}{\gamma_R} \quad \text{for condition B}$$

where

γ_{sta-i} : Partial safety factor that accounts for the uncertainties related to static loads.

γ_{dyn-i} : Partial safety factor that accounts for the uncertainties related to dynamic loads.

γ_R : Partial safety factor that accounts for the uncertainties related to structural capacity.

The acceptance criteria for both the WSD method and PSF method are calibrated for the various requirements such that consistent and acceptable safety levels for all combinations of static and dynamic load effects are derived.

5.2 Minimum requirements

5.2.1

Minimum requirements specify the minimum scantling requirements which are to be applied irrespective of all other requirements, hence thickness below the minimum is not allowed.

The minimum requirements are usually in one of the following forms:

- Minimum thickness, which is independent of the specified minimum yield stress.
- Minimum stiffness and proportion, which are based on buckling failure modes.

5.3 Load-capacity based requirements

5.3.1 General

In general, the Working Stress Design (WSD) method is applied in the requirements. The partial safety factor format is applied for this highly critical failure mode to better account for uncertainties related to static loads, dynamic loads and capacity formulations.

The identified load scenarios are addressed by the Rules in terms of design loads, design format and acceptance criteria set, as given in **Table 2**. The table is schematic and only intended to give an overview.

Load based prescriptive requirements provide scantling requirements for all plating, local support members, most primary supporting members and the hull girder and cover all structural elements including deckhouses, foundations for deck equipment.

In general, these requirements explicitly control one particular failure mode and hence several requirements may be applied to assess one particular structural member.

5.3.2 Design loads for SLS, ULS and ALS

The structural assessment of compartment boundaries, e.g. bulkheads, is based on loading condition relating the operation the ship is intended for. To provide consistency of approach, standardised Rule values for parameters, such as GM , k_r , T_{SC} and C_B are applied to calculate the Rule load values.

The probability level of the dynamic global, local and impact loads (see **Table 1**) is 10^{-8} and is derived using the long-term statistical approach. The design load scenarios for structural verification apply the applicable simultaneously acting local and global load components. The relevant design load scenarios are given in **Ch 4, Sec 7**.

The simultaneously occurring dynamic loads are specified by applying a dynamic load combination factor to the dynamic load values given in **Ch 4**. The dynamic load combination factors that define the dynamic load cases are given in **Ch 4, Sec 2**. Design loads for ALS does not need to include environmental loads as wave induced load described in **Pt 7, Ch 5, Sec 4, [418.3]**.

5.3.3 Design loads for FLS

For the fatigue requirements given in **Ch 9**, the load assessment is based on the expected load history

and an average approach is applied. The expected load history for the design life is characterised by the 10^{-2} probability level of the dynamic load value, the load history for each structural member is represented by Weibull probability distributions of the corresponding stresses.

The considered wave induced loads include:

- Hull girder loads.
- Dynamic wave pressures.
- Dynamic pressure from cargo and ballast.

The load values are based on Rule parameters corresponding to the loading conditions, e.g. GM and C_B and the applicable draughts at amidships. The simultaneously occurring dynamic loads are accounted for by combining the stresses due to the various dynamic load components. The stress combination procedure is given in **Ch 9**.

Table 1 : Load scenarios and corresponding rule requirements

| Operation | Load type | Design load scenario | Acceptance criteria |
|---|---|----------------------|---------------------|
| Seagoing operations | | | |
| Transit | Static and dynamic loads in heavy weather | S+D | AC-SD |
| | Impact loads in heavy weather | Impact (I) | AC-I |
| | Internal sloshing loads | Sloshing (SL) | AC-SD |
| | Cyclic wave loads | Fatigue (F) | - |
| BWE by flow through or sequential methods | Static and dynamic loads in heavy weather | S+D | AC-SD |
| Harbour and sheltered operations | | | |
| Loading, unloading and ballasting | Typical maximum loads during loading, unloading and ballasting operations | S | AC-S |
| Special conditions in harbour | Typical maximum loads during special operations in harbour, e.g. propeller inspection afloat | S | AC-S |
| Tank testing and overflowing of tank | Typical maximum loads during tank testing operations and tank overflowing event | T | AC-T |
| Accidental condition | | | |
| Accidental conditions | Maximum loads on internal watertight subdivision structure including cofferdams bulkhead in collision | A | AC-A |
| Flooded condition | Typically maximum loads on internal watertight subdivision structure in accidental flooded condition | A | AC-S |

5.3.4 Structural response analysis

In general, the following approaches are applied for determination of the structural response to the applied design load combinations.

- a) Beam theory:
 - Used for prescriptive requirements.
- b) FE analysis:
 - Coarse mesh for cargo hold model.
 - Fine mesh for local models.
 - Very fine mesh for fatigue assessment.

5.4 Acceptance criteria

5.4.1 General

The acceptance criteria are categorized into five acceptance criteria sets. These are explained below and shown in **Table 2** and **Table 3**. The specific acceptance criteria set that is applied in the rule requirements is dependent on the probability level of the characteristic combined load.

- a) The acceptance criteria set AC-S is applied for the static design load combinations, and for the sloshing design loads. The allowable stress for such loads is lower than that for an extreme load to take into account effects of:
 - Repeated yield.
 - Allowance for some dynamics.
 - Margins for some selected limited operational mistakes.
- b) The acceptance criteria set AC-SD is applied for the S+D design load combinations where considered loads are extreme loads with a low probability of occurrence.
- c) The acceptance criteria set AC-A is applied for static design load combinations with colliding load which is described in **Pt 7, Ch 5, Sec 4, [415]**.
- d) The acceptance criteria set AC-I is typically applied for impact loads, such as bottom slamming and bow impact loads.
- e) The acceptance criteria set AC-T is applied for tank testing and overflowing of tank.

5.4.2 Acceptance criteria

The specific acceptance criteria applied in the working stress design requirements are given in the detailed Rule requirements in **Ch 5 to Ch 8, Ch 10** and **Ch 11**.

To provide a general informational summary overview of the acceptance criteria, refer to **Table 2** and **Table 3** above for the different design load scenarios covered by these Rules for the yield and buckling failure modes.

For the yield criteria the permissible stress is proportional to the specified minimum yield stress of the material. For the buckling failure mode, the acceptance criteria are based on the control of stiffness and proportions as well as on the buckling utilization factor.

Table 2 : Acceptance criteria – prescriptive requirements

| Acceptance criteria | Plate panels and local support members ⁽¹⁾ | | Primary supporting members ⁽¹⁾ | | Hull girder members | |
|-------------------------------|---|---|---|---|---|---|
| | Yield | Buckling | Yield | Buckling | Yield | Buckling |
| AC-S AC-SD AC-A AC-T | Permissible stress: Ch 6, Sec 4 Ch 6, Sec 5 | Control of stiffness and proportions: Ch 8, Sec 2 | Permissible stress: Ch 6, Sec 6 | Control of stiffness and proportions: Ch 8, Sec 1 Ch 8, Sec 2 | Permissible stress: Ch 5, Sec 1 | Allowable buckling utilisation factor: Ch 8, Sec 1, [3] |
| AC-I ⁽²⁾ | Plastic criteria: Ch 10, Sec 1, [3] | Control of stiffness and proportions: Ch 8, Sec 2 Ch 10, Sec 1, [3] | Plastic criteria: Ch 10, Sec 1, [3] | Control of stiffness and proportions: Ch 8, Sec 2 Ch 10, Sec 1, [3] | N/A | N/A |

⁽¹⁾ Refer to **Ch 10** for Other structures and to **Ch 11** for Superstructure, deckhouses and hull outfitting
⁽²⁾ If necessary, direct analysis guidance specified Classification Society can be applied

Table 3 : Acceptance criteria – FE analysis

| Acceptance criteria | Cargo hold analysis | | Fine mesh analysis |
|-------------------------|---|---|---|
| | Yield | Buckling | Yield |
| AC-S, AC-SD, AC-A | Permissible stress: Ch 7, Sec 2, [5] | Allowable buckling utilisation factor: Ch 8, Sec 1, [3] | Permissible Von Mises stress: Ch 7, Sec 3, [5] |

5.5 Design verification

5.5.1 Design verification – cargo hold finite element analysis

The cargo hold finite element analysis is used to verify the scantlings given by the load-capacity based prescriptive requirements to better consider the complex interactions between the ship's structural components, complex local structural geometry, change in thicknesses and member section properties as well as the complex load regime with sufficient accuracy.

A linear elastic three dimensional finite element analysis of the cargo region (a FE model length of three holds is required) is carried out to assess and verify the structural response of the proposed hull girder and primary supporting members and assist in specifying the scantling requirements for the primary supporting members.

The purpose with the finite element analysis is to verify that the stresses and buckling capability of the primary supporting members are within acceptable limits for the applied design loads.

5.5.2 Design verification – fatigue assessment

The fatigue assessment is required to verify that the fatigue life of critical structural details is adequate. A simplified fatigue requirement is applied to details such as end connections of longitudinal stiffeners using stress concentration factors (SCF) to account the actual detail geometry.

A fatigue assessment procedure using finite element analysis for determining the actual hot spot stress of the geometric detail is applied to selected details.

In both cases, the fatigue assessment method is based on the Palmgren–Miner linear damage model.

5.5.3 Relationship between prescriptive scantling requirements and FE analysis

The scantlings defined by the prescriptive requirements are not to be reduced by any form of alternative calculations such as FE analysis, unless explicitly stated.

Section 3 – Verification of Compliance

1. General

1.1 Newbuilding

1.1.1

For newbuildings, the plans and documents submitted for approval, as indicated in [2], are to comply with applicable requirements in these Rules, taking account of the relevant criteria, such as additional service features and classification notations assigned to the ship or the ship length.

1.1.2

When a ship is surveyed by the Society during construction, the Society:

- a) Approves the plans and documentation submitted as required by the Rules.
- b) Proceeds with the appraisal of the design of materials and equipment used in the construction of the ship and their inspection at works.
- c) Carries out surveys or obtains appropriate evidence to satisfy itself that the scantlings and construction meet the Rule requirements in relation to the approved drawings.
- d) Attends tests and trials provided for in the Rules.
- e) Assigns the classification character of the Society's notation.

1.1.3

The Society defines in specific Rules which materials and equipment used for the construction of ships built under survey are, as a rule, subject to appraisal of their design and to inspection at works, and according to which particulars.

1.1.4

As part of his/her interventions during ship's construction, the surveyor:

- a) Conducts an overall examination of the parts of the ship covered by the Rules.
- b) Examines the construction methods and procedures when required by the Rules.
- c) Checks selected items covered by the Rule requirements.
- d) Attends tests and trials where applicable and deemed necessary.

1.1.5

Through all stages of ship construction, it is the builder's responsibility to inform promptly the Society of the modifications or departures from approved arrangements and to deal with as necessary. The builder is to ensure that deviations from the requirements of the Rules or approved plans, other than those of a minor nature not affecting the structural strength of the vessel, are, in any case, accepted by the Society's approval office.

1.2 Ships in service

1.2.1

For ships in service, the requirements in **Ch 13** are to be complied with.

2. Document to be submitted

2.1 Documentation and data requirements

2.1.1 Loading information

Loading information containing sufficient information to enable the master of the ship to maintain the ship within the stipulated operational limitations is to be provided on board the ship. The loading information is to include an approved loading manual and loading instrument complying with the requirements given in **Ch 1, Sec 5**.

2.1.2 Calculation data and results

Where calculations have been carried out in accordance with the procedures given in the Rules, one copy of the following is to be submitted for information as applicable:

- a) Reference to the calculation procedure and technical program used.
- b) A description of the structural modelling.
- c) summary of the analysed parameter including properties and boundary conditions for direct analysis, when applicable.
- d) Details of the loading conditions and the means of applying loads for direct analysis, when applicable.
- e) A comprehensive summary of calculation results.
- f) Sample calculations where appropriate.

The responsibility for error free specification and input of program data and the subsequent correct transposal of output resides with the designer.

Reference is made to **Ch 7, Sec 1, [4.1]** for required reporting of finite element analysis.

2.2 Submission of plans and supporting calculations

2.2.1 Plans and supporting calculations are to be submitted for approval

For the application of these Rules, the plans and supporting calculations to be submitted to the Society for approval are listed in **Table 1**. In addition, the documents described in **Pt 7, Ch 5, Sec 1, [102]** are to be submitted. Plans are to be submitted electronically or physically. When physically submitted plans are to be submitted in triplicate, with one copy necessary for supporting documents and calculations. In addition, the Society may request the submission of information, other plans and documents deemed necessary for the review of the design. Structural plans are to show scantling, details of connection of the various parts and are to specify the design materials including, in general, their grades, manufacturing processes, welding procedures and heat treatments. For welding requirements, see **Ch 12, Sec 2** and **Ch 12, Sec 3**. In case there are deviations from the design basis, then these are to be documented and submitted to the Society.

2.2.2 Plans to be submitted for information

In addition to those in **[2.2.1]**, the following plans are to be submitted to the Society for information:

- a) General arrangement.
- b) Capacity plan, indicating the volume and position of the centre of gravity of all compartments and tanks.
- c) Lines plan, when deemed necessary by the Society.
- d) Hydrostatic curves.
- e) Lightweight distribution.
- f) Docking plan.
- g) Arrangement of lifting appliances
- h) Plan of manholes

Table 1 : Plans and supporting calculation to be submitted for approval

| Plan or supporting calculation | Containing also information on |
|---|--|
| Midship section Transverse sections Shell expansion Decks and profiles Double bottom Pillar arrangements Framing plan Deep tank and ballast tank bulkheads, Standard construction details | Class characteristics Ship's main dimensions Minimum ballast draught Frame spacing Maximum service speed Density of cargoes Design loads on decks and double bottom Steel grades Corrosion protection Openings in decks and shell and relevant compensations Boundaries of flat areas in bottom and sides Details of structural reinforcements and/or discontinuities Bilge keel with details of connections to hull structures Welding |
| Watertight subdivision bulkheads Watertight tunnels | Openings and their closing appliances, if any |
| Fore part structure | – |
| Aft part structure | – |
| Machinery space structures Foundations of propulsion machinery and boilers | Type, power and RPM of propulsion machinery Mass and centre of gravity of machinery and boilers |
| Superstructures and deckhouses Machinery space casing | Extension and mechanical properties of the aluminium alloy used (where applicable) |
| Transverse thruster, if any, general arrangement, tunnel structure, connections of thruster with tunnel and hull structures | – |
| Bulwarks and freeing ports | Arrangement and dimensions of bulwarks and freeing ports on the freeboard deck and superstructure deck |
| Windows and side scuttles, arrangements and details | – |
| Scuppers and sanitary discharges | – |
| Mooring and towing arrangement | – |
| Supporting structure and foundations for shipboard fittings associated with mooring and towing operations | Design loads and directions of load actions, rated pull and holding load for mooring winches Reaction forces Details of connection of the foundations to the deck, including specifications for holding down bolts for mooring winches Material specifications and welding |
| Supporting structure and foundations for windlasses and chain stoppers | Design loads and directions of load actions Reaction forces Details of connection of the foundations to the deck, including specifications for holding down bolts for windlasses Material specifications and welding |
| Stern frame or sternpost, sterntube Propeller shaft boss and brackets ⁽¹⁾ | – |
| Plan of watertight doors and scheme of relevant closing devices | Closing devices Electrical diagrams of power control and position indication circuits |

| Plan or supporting calculation | Containing also information on |
|---|--|
| Plan of weathertight or outer doors and hatchways | – |
| Supporting structure for lifting appliances | Design loads (forces and moments) SWL and self weight of lifting appliances Maximum sea state in offshore operation, if any Connections to the hull structures |
| Supporting structure for life saving appliances | Design loads (forces and moments) SWL and self weight of lifting appliances Connections to the hull structure |
| Sea chests, stabiliser recesses, etc | – |
| Plan of access to and escape from spaces | – |
| Plan of ventilation including ventilators and tank vents | Use of spaces and location and height of air vent outlets of various compartments |
| Plan of tank testing | Testing procedures for the various compartments Height of pipes for testing |
| Equipment number calculation | Geometrical elements for calculation List of equipment Construction and breaking load of steel wires Material, construction, breaking load and relevant elongation of synthetic ropes |
| Anchoring arrangement | – |
| Hawse pipes | – |
| Loading manual and/or trim and stability booklet | – |
| (1) Where other steering or propulsion systems are adopted (e.g. steering nozzles or azimuth propulsion systems), the plans showing the relevant arrangement and structural scantlings are to be submitted. | |

2.2.3 Plans and instruments to be supplied onboard the ship

As a minimum, the following plans and instrument are to be supplied onboard:

- a) One copy of the following plans: plans of midship sections, construction profiles, shell expansion, transverse bulkheads, aft and fore part structures, machinery space structures, plans of superstructures, deckhouses and casing.
- b) One copy of the final approved loading manual, see [2.1.1].
- c) One copy of the final approved loading instrument, see [2.1.1].
- d) Welding.
- e) Details of the extent and location of higher tensile steel together with details of the specification and mechanical properties, and any recommendations for welding, working and treatment of these steels.
- f) Details and information on use of special materials, such as an aluminium alloy, used in the hull construction.
- g) Towing and mooring arrangements plan, see Ch 11, Sec 3.
- h) Structural details for which post weld treatment methods are applied, showing the description of the details and their locations.

Other plans or instrument may be required by the Society.

3. Scope of approval

3.1 General

3.1.1

The attention of owners, designers and builders is directed to the regulations of international, national, canal, and other authorities dealing with those requirements which may affect structural aspects, in addition to or in excess of the classification requirements.

3.1.2

The documentation, plans and data requirements specified in [2] are to be submitted. The Society is to review such documentation to verify compliance with the requirements.

3.1.3

An appropriate term to indicate that the plans, reports or documents have been reviewed for compliance with these Rules is to be used according to the procedures of the Society.

3.2 Requirements of international and national regulations

3.2.1 Responsibility

It is the responsibility of the designer to ensure that the design complies with the national and international regulations applicable to the ship. The Society is not responsible for assessing compliance with international and national regulations as part of the general classification process. However, the Society may enter into an agreement with the flag administration of the ship under which they are explicitly instructed to review and approve a ship design for compliance with specified regulations.

4. Workmanship

4.1 Requirements to be complied with by the manufacturer

4.1.1

The manufacturing plant is to be provided with suitable equipment and facilities to enable proper handling of the materials, manufacturing processes and structural components. The manufacturing plant is to have at its disposal sufficiently qualified personnel. The Society is to be advised of the names and areas of responsibility of the supervisory and control personnel in charge of the project.

4.2 Quality control

4.2.1

As far as required and expedient, the manufacturer's personnel has to examine all structural components both during manufacture and on completion, to verify that they are complete, that the dimensions are correct and that workmanship is satisfactory and meets the standard of good shipbuilding practice.

Upon inspection and corrections by the manufacturing plant, the structural components are to be shown to the surveyor of the Society for inspection, in suitable sections, normally unpainted condition and enabling proper access for inspection. The Surveyor may reject components that have not been adequately checked by the plant and may demand their resubmission upon successful completion of such checks and corrections by the plant.

5. Structural details

5.1 Details in manufacturing documents

5.1.1

Significant details concerning quality and functional ability of the component concerned are to be entered in the manufacturing documents (e.g. workshop drawing). This includes not only scantlings but, where relevant, such items as surface conditions (e.g. finishing of flame cut edges and weld seams), and special methods of manufacture involved as well as inspection and acceptance requirements and where relevant permissible tolerances. When a standard is used (works or national standard), it is to be submitted to the Society. For weld joint details, see **Ch 12, Sec 2**. If, due to missing or insufficient details in the manufacturing documents, the quality or functional ability of the component is doubtful, the Society may require appropriate improvements to be submitted by the manufacturer. This includes the provision of supplementary or additional parts (for example, reinforcements) even if these were not required at the time of plan approval.

6. Equivalence procedures

6.1 Rule applications

6.1.1

These Rules apply to ships of normal form, proportions, speed and structural arrangements. Relevant design parameters defining the assumptions made are given in **Ch 1, Sec 2, [3]**.

6.1.2

Special consideration is to be given to the application of the Rules incorporating design parameters which are outside the design basis as specified in **Ch 1, Sec 2, [2]**, for example, increased fatigue life.

6.2 Novel designs

6.2.1

Ships of novel design, i.e. those of unusual form, proportions, speed and structural arrangements outside those specified in **Ch 1, Sec 2, [2.2]**, are specially considered according to from **[6.2.2]** to **[6.2.4]**.

6.2.2

Information is to be submitted to the Society to demonstrate that the structural safety of the novel design is at least equivalent to that intended by the Rules.

6.2.3

In such cases, the Society is to be contacted at an early stage in the design process to establish the applicability of the Rules and additional information required for submission.

6.2.4

Dependent on the nature of the deviation, a systematic review may be required to document equivalence with the Rules.

6.3 Alternative calculation methods

6.3.1

Where indicated in specific sections of the Rules, alternative calculation methods to those shown in the Rules may be accepted provided it is demonstrated that the scantling and arrangements are of at least equivalent strength to those derived using the Rules.

Section 4 – Symbols and Definitions

1. Primary symbols and units

1.1 General

1.1.1

Unless otherwise specified, the general symbols and their units used in these Rules are those defined in Table 1.

Table 1 : Primary symbols

| Symbols | Meaning | Units |
|----------|--|----------|
| A | Area | m^2 |
| | Sectional area of stiffeners and primary members | cm^2 |
| C | Coefficient | – |
| F | Force and concentrated loads | kN |
| I | Hull girder inertia | m^4 |
| | Inertia of stiffeners and primary members | cm^4 |
| M | Bending moment | kNm |
| M | Mass | t |
| P | Pressure | kN/m^2 |
| Q | Shear force | kN |
| Z | Hull girder section modulus | m^3 |
| | Section modulus of stiffeners and primary supporting members | cm^3 |
| a_i | Acceleration for the effect 'i' | m/s^2 |
| b | Width of attached plating | m |
| | Width of face plate of stiffeners and primary supporting members | mm |
| g | Gravity acceleration, taken equal to $9.81 m/s^2$ | m/s^2 |
| h | Height | m |
| | Web height of stiffeners and primary supporting members | mm |
| l | Length/span of stiffeners and primary supporting members | m |
| n | Number of items | – |
| r | Radius | mm |
| | Radius of curvature of plating or bilge radius | mm |
| t | Thickness | mm |
| x | X coordinate along longitudinal axis, see [3.5] | m |
| y | Y coordinate along transverse axis, see [3.5] | m |
| z | Z coordinate along vertical axis, see [3.5] | m |
| η | Permissible utilisation factor (usage factor) | – |
| γ | Safety factor | – |

| Symbols | Meaning | Units |
|----------|--|-------------------|
| δ | Deflection/displacement | mm |
| θ | Angle | deg |
| ρ | Density of seawater, taken equal to 1.025 t/m ³ | t/m ³ |
| σ | Normal stress | N/mm ² |
| τ | Shear stress | N/mm ² |

2. Symbols

2.1 Ship's main data

2.1.1

Unless otherwise specified, symbols regarding ship's main data and their units used in these Rules are those defined in **Table 2**.

Table 2 : Ship's main data

| Symbols | Meaning | Units |
|-------------------------|---|-------|
| L | Rule length | m |
| L_{LL} | Freeboard length | m |
| L_{PP} | Length between perpendiculars | m |
| B | Moulded breadth of ship | m |
| D | Moulded depth of ship | m |
| T | Moulded draught | m |
| T_{SC} | Scantling draught | m |
| T_{BAL} | Ballast draught (minimum midship) | m |
| T_{LC} | Midship draught at considered loading condition | m |
| $T_{F-f},$ T_{F-e} | Minimum draught at forward perpendicular for bottom slamming, with respectively all ballast tanks full or with any tank empty in bottom slamming area | m |
| Δ | Moulded displacement at draught T_{SC} | t |
| C_B | Block coefficient at draught T_{SC} | - |
| V | Maximum service speed | knot |
| x, y, z | X, Y, Z coordinates of the calculation point with respect to the reference coordinate system | m |

2.2 Materials

2.2.1

Unless otherwise specified, symbols regarding materials and their units used in these Rules are those defined in **Table 3**.

Table 3: Materials

| Symbols | Meaning | Units |
|-------------|---|-------------------|
| E | Young's modulus, see Ch 3, Sec 1, [2] | N/mm ² |
| G | Shear modulus, $G = \frac{E}{2(1+\nu)}$ | N/mm ² |
| R_{eH} | Specified minimum yield stress, see Ch 3, Sec 1, [2] | N/mm ² |
| τ_{eH} | Specified shear yield stress, $\tau_{eH} = \frac{R_{eH}}{\sqrt{3}}$ | N/mm ² |
| ν | Poisson's ratio, see Ch 3, Sec 1, [2] | - |
| k | Material factor, see Ch 3, Sec 1, [2] | - |
| R_m | Specified minimum tensile strength, see Ch 3, Sec 1, [2] | N/mm ² |
| R_Y | Nominal yield stress, taken equal to $235/k$ | N/mm ² |

2.3 Loads

2.3.1

Unless otherwise specified, symbols regarding loads and their units used in these Rules are those defined in **Table 4**.

Table 4: Loads

| Symbols | Meaning | Units |
|------------|-------------------------------|------------------|
| C_W | Wave coefficient | - |
| T_θ | Roll period | s |
| θ | Roll angle | deg |
| T_ϕ | Pitch period | s |
| ϕ | Pitch angle | deg |
| a_0 | Common acceleration parameter | - |
| a_z | Vertical acceleration | m/s ² |
| a_y | Transverse acceleration | m/s ² |
| a_x | Longitudinal acceleration | m/s ² |
| f_P | Probability factor | - |
| k_r | Roll amplitude of gyration | m |
| GM | Metacentric height | m |

| Symbols | Meaning | Units |
|-------------|--|-------------------|
| λ | Wave length | m |
| S | Static load case | - |
| S+D | Static + Dynamic load case | - |
| P_{ex} | Total sea pressure, see Ch 4, Sec 5, [1.1] | kN/m ² |
| P_{in} | Total internal pressure due to liquid, see Ch 4, Sec 6, [1] | kN/m ² |
| P_s | Static sea pressure | kN/m ² |
| P_{ls} | Static tank pressure | kN/m ² |
| P_w | Dynamic wave pressure | kN/m ² |
| P_{ld} | Dynamic tank pressure | kN/m ² |
| P_D | Green sea deck pressure | kN/m ² |
| P_{IGC} | Pressure by IGC code | kN/m ² |
| P_{sth-j} | Sloshing pressure, j=direction | kN/m ² |
| P_{SL} | Bottom slamming pressure | kN/m ² |
| P_{FB} | Bow impact pressure | kN/m ² |
| P_{fs} | Static pressure in flooded conditions | kN/m ² |
| P_{ST} | Tank testing pressure (static) | kN/m ² |
| M_{sw-j} | Vertical still water bending moment, $j = h, s, p$ (hog, sag, harbour) | kNm |
| Q_{sw} | Vertical still water shear force | kN |
| M_{wv-j} | Vertical wave bending moment, $j = h, s$ (hog, sag) | kNm |
| Q_{wv} | Vertical wave shear force | kN |
| M_{wt} | Torsional wave moment | kNm |
| M_{wh} | Horizontal wave bending moment | kNm |

2.4 Scantlings

2.4.1

Unless otherwise specified, symbols regarding scantlings and their units used in these Rules are those defined in Table 5.

Table 5 : Scantlings

| Symbols | Meaning | Units |
|-------------|---|----------------|
| I_{y-gr} | Gross vertical moment of inertia of hull girder | m ⁴ |
| I_{y-n50} | Net vertical moment of inertia of hull girder | m ⁴ |
| I_{z-gr} | Gross horizontal moment of inertia of hull girder | m ⁴ |
| I_{z-n50} | Net horizontal moment of inertia of hull girder | m ⁴ |

| Symbols | Meaning | Units |
|-------------------------------|--|-----------------|
| Z_{D-gr} , Z_{B-gr} | Gross vertical hull girder section moduli, at deck and bottom respectively | m ³ |
| z_n | Vertical distance from BL to horizontal neutral axis | m |
| a | Length of EPP, as defined in Ch 3, Sec 7, [2.1.1] | mm |
| b | Breadth of EPP, as defined in Ch 3, Sec 7, [2.1.1] | mm |
| s | Stiffener spacing (see Ch 3, Sec 7, [1.2.1]) | mm |
| S | Primary supporting member spacing (see Ch 3, Sec 7, [1.2.2]) | m |
| l | Span of stiffeners or primary supporting member (see Ch 3, Sec 7, [1]) | m |
| l_b | Bracket arm length | m |
| t | Net thickness with full corrosion reduction | mm |
| t_{n50} | Net thickness with half corrosion reduction | mm |
| t_c | Corrosion addition | mm |
| t_{gr} | Gross thickness | mm |
| $t_{as-built}$ | As built thickness | mm |
| t_{gr-off} | Gross thickness offered | mm |
| t_{gr-req} | Gross thickness required | mm |
| t_{off} | Net thickness offered | mm |
| t_{req} | Net thickness required | mm |
| $t_{vol-add}$ | Thickness for voluntary addition | mm |
| t_{res} | Reserve thickness | mm |
| t_{c1}, t_{c2} | Corrosion addition on each side of structural me | mm |
| h_w | Web height of stiffener or primary supporting member | mm |
| t_w | Web thickness of stiffener or primary supporting member | mm |
| b_f | Face plate width stiffener or primary supporting member | mm |
| h_{stf} | Height of stiffener | mm |
| t_f | Face plate/flange thickness of stiffener or primary supporting member | mm |
| t_p | Thickness of the plating attached to a stiffener or a primary supporting member | mm |
| d_e | Distance from the upper edge of the web to the top of the flange for L_3 profiles | mm |
| b_{eff} | Effective breadth of attached plating, in bending, for yield and fatigue | mm |
| A_{eff} or $A_{eff-n50}$ | Net sectional area of stiffeners or primary supporting members, with attached plating (of effective width) | cm ² |
| A_{shr} or $A_{shr-n50}$ | Net shear sectional area of stiffeners or primary supporting members | cm ² |

| Symbols | Meaning | Units |
|------------------|---|-----------------|
| I_p | Net polar moment of inertia of stiffener about its connection to plating | cm ⁴ |
| I | Net moment of inertia of the stiffener, with attached shell plating, about its neutral axis parallel to the plating | cm ⁴ |
| Z or Z_{n50} | Net section modulus of a stiffener or primary supporting member with attached plating (of breadth b_{eff}) | cm ³ |

3. Definition

3.1 Principal Particulars

3.1.1 L , Rule length

The Rule length L is the distance, in m, measured on the waterline at the scantling draught T_{SC} from the forward side of the stem to the centre of the rudder stock. L is to be not less than 96% and need not exceed 97% of the extreme length on the waterline at the scantling draught T_{SC} .

In ships without rudder stock (e.g. ships fitted with azimuth thrusters), the Rule length L is to be taken equal to 97% of the extreme length on the waterline at the scantling draught T_{SC} . In ships with unusual stem or stern arrangements, the Rule length is considered on a case-by-case basis.

3.1.2 L_{LL} , freeboard length

The freeboard length L_{LL} , in m, is to be taken as 96% of the total length on a waterline at 85% of the least moulded depth measured from the top of the keel, or as the length from the fore side of the stem to the axis of the rudder stock on that waterline, if that be greater.

For ships without a rudder stock, the length L_{LL} is to be taken as 96% of the waterline at 85% of the least moulded depth. Where the stem contour is concave above the waterline at 85% of the least moulded depth, both the forward end of the extreme length and the forward side of the stem are to be taken at the vertical projection to that waterline of the aftermost point of the stem contour (above that waterline), see **Figure 1**.

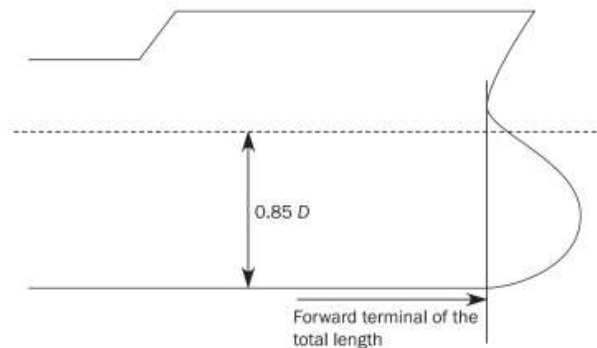


Figure 1 : Concave stem contour

3.1.3 Moulded breadth

The moulded breadth B is the greatest moulded breadth, in m, measured amidships at the scantling draught, T_{SC} .

3.1.4 Moulded depth

D , the moulded depth, is the vertical distance, in m, amidships, from the moulded baseline to the moulded deck line of the uppermost continuous deck measured at deck at side. On ships with a rounded gunwale, D is to be measured to the continuation of the moulded deck line.

3.1.5 Draughts

T , the draught in m, is the summer load line draught for the ship in operation, measured from the moulded baseline at midship. Note this may be less than the maximum permissible summer load waterline draught.

T_{SC} is the scantling draught, in m, at which the strength requirements for the scantlings of the ship are met and represents the full load condition. The scantling draught T_{SC} is to be not less than that

corresponding to the assigned freeboard.

T_{BAL} is the minimum design normal ballast draught amidships, in m, at which the strength requirements for the scantlings of the ship are met. This normal ballast draught is the minimum draught of ballast conditions including ballast water exchange operation, if any, for any ballast conditions in the loading manual including both departure and arrival conditions.

In any case, T_{BAL} is not to be taken more than $0.7 T_{SC}$. And, $0.7 T_{SC}$ in this Rule is treated as equivalent to T_{BAL} if not specified less than $0.7 T_{SC}$.

3.1.6 Moulded displacement

Moulded displacement, in t, corresponds to the underwater volume of the ship, at a draught, in seawater with a density of 1.025 t/m^3 .

3.1.7 Maximum service speed

V , the maximum ahead service speed, in knots, means the greatest speed which the ship is designed to maintain in service at her deepest seagoing draught at the maximum propeller RPM and corresponding engine MCR (Maximum Continuous Rating).

3.1.8 Block coefficient

C_B , the block coefficient at the draught, T_{SC} is defined in the following equation:

$$C_B = \frac{\Delta}{1.025 L B T_{SC}}$$

where:

Δ : Moulded displacement of the ship at draught T_{SC} .

C_{B-BAL} , the block coefficient at the draught, T_{BAL} is defined in the following equation:

$$C_{B-BAL} = \frac{\Delta_{BAL}}{1.025 L B T_{BAL}}$$

where:

Δ_{BAL} : Moulded displacement of the ship at draught T_{BAL} .

3.1.9 Lightweight

The lightweight is the ship displacement, in t, complete in all respects, but without cargo, consumable, stores, passengers and crew and their effects, and without any liquids on board except that machinery and piping fluids, such as lubricants and hydraulics, are at operating levels.

3.1.10 Deadweight

The deadweight DWT is the difference, in t, between the displacement, at the summer draught in seawater of density $\rho = 1.025 \text{ t/m}^3$, and the lightweight.

3.1.11 Fore end

The fore end (FE) of the rule length L , see **Figure 2**, is the perpendicular to the scantling draught waterline at the forward side of the stem.

3.1.12 Aft end

The aft end (AE) of the rule length L , see **Figure 2**, is the perpendicular to the scantling draught waterline at a distance L aft of the fore end.

3.1.13 Midship

The midship is the perpendicular to the scantling draught waterline at a distance $0.5 L$ aft of the fore end.

3.1.14 Midship part

The midship part of a ship is the part extending $0.4 L$ amidships, unless otherwise specified.

3.1.15 Forward freeboard perpendicular

The forward freeboard perpendicular, FP_{LL} , is to be taken at the forward end of the length L_{LL} and is to coincide with the foreside of the stem on the waterline on which the length L_{LL} is measured.

3.1.16 After freeboard perpendicular

The after freeboard perpendicular, AP_{LL} , is to be taken at the aft end of the length L_{LL} .

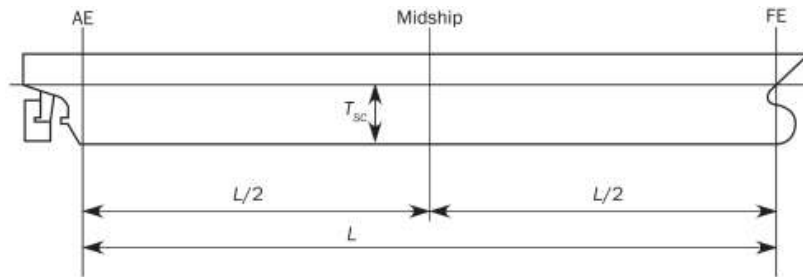


Figure 2 : Ends and midship

3.2 Position 1 and Position 2

3.2.1 Position 1

Position 1 includes:

- Exposed freeboard and raised quarter decks.
- Exposed superstructure decks situated forward of $0.25 L_{LL}$ from FP_{LL} .

3.2.2 Position 2

Position 2 includes:

- Exposed superstructure decks situated aft of $0.25 L_{LL}$ from FP_{LL} and located at least one standard height of superstructure above the freeboard deck.
- Exposed superstructure decks situated forward of $0.25 L_{LL}$ from FP_{LL} and located at least two standard heights of superstructure above the freeboard deck.

3.3 Standard height of superstructure

3.3.1

The standard height of superstructure is defined in Table 6.

Table 6 : Standard height of superstructure

| Freeboard length L_{LL} , in m | Standard height h_s , in m | |
|----------------------------------|------------------------------|---------------------------|
| | Raised quarter deck | All other superstructures |
| $90 < L_{LL} \leq 125$ | $0.3 + 0.012 L_{LL}$ | $1.05 + 0.01 L_{LL}$ |
| $L_{LL} > 125$ | 1.80 | 2.30 |

3.3.2

A tier is defined as a measure of the extent of a deckhouse. A deckhouse tier consists of a deck and external bulkheads. In general, the first tier is the tier situated on the freeboard deck.

3.4 Operation definition

3.4.1 Multiport

Multiport corresponds to short voyage with loading and unloading in multiple ports.

3.4.2 Sheltered water

Sheltered waters are generally calm stretches of water when the wind force does not exceed 6 Beaufort scale, i.e. harbours, estuaries, roadsteads, bays, lagoons.

3.5 Reference coordinate system

3.5.1

The ship's geometry, motions, accelerations and loads are defined with respect to the following right-hand coordinate system, see **Figure 3**:

Origin : At the intersection among the longitudinal plane of symmetry of ship, the aft end of L and the baseline.

X axis : Longitudinal axis, positive forwards.

Y axis : Transverse axis, positive towards portside.

Z axis : Vertical axis, positive upwards.

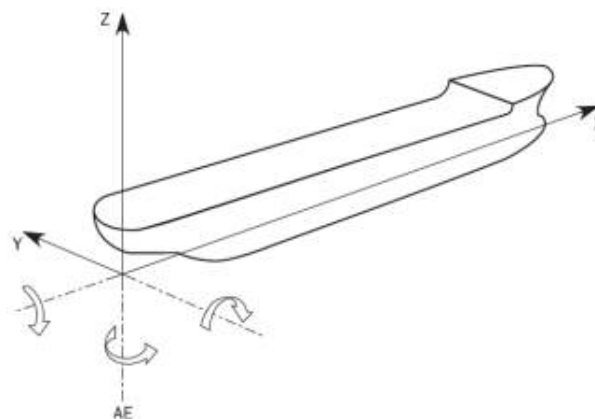


Figure 3 : Reference coordinate system

3.6 Naming convention

3.6.1 Structural nomenclature

Figure 4 show the common structural nomenclature used within these Rules.

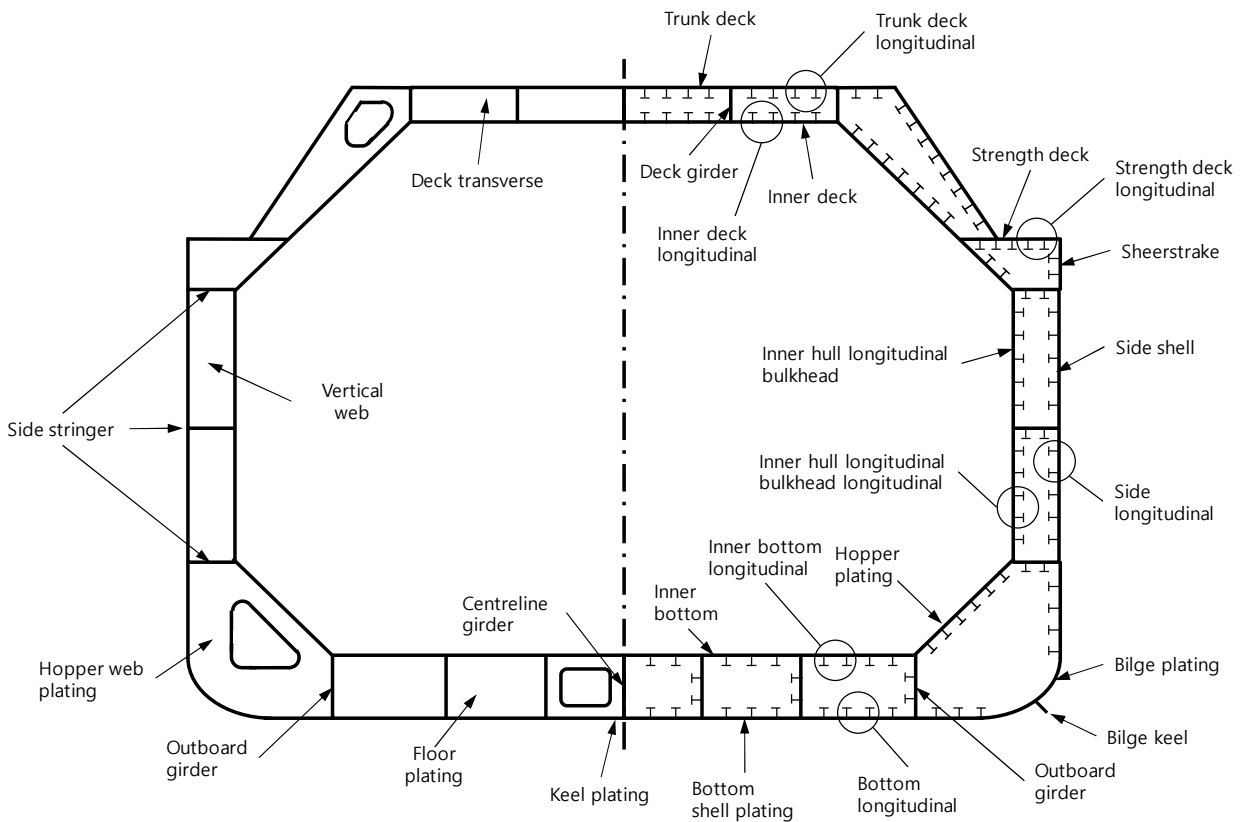


Figure 4 : Nomenclature of cargo hold transverse section

3.7 Glossary

3.7.1 Definitions of terms

Table 7 : Definition of terms

| Terms | Definition |
|----------------------|---|
| Accommodation deck | Deck used primarily for the accommodation of the crew |
| Accommodation ladder | Portable set of steps on a ship's side for people boarding from small boats or from a pier |
| Aft peak | The area aft of the aft peak bulkhead |
| Aft peak bulkhead | First main transverse watertight bulkhead forward of the stern |
| Aft peak tank | Compartment in the narrow part of the stern, aft of the aft peak bulkhead |
| Anchor | Device attached to anchor chain at one end and lowered into the sea bed to hold a ship in position; it is designed to grip the bottom when it is dragged by the ship trying to float away under the influence of wind and current |
| Ballast tank | Compartment used for the storage of water ballast |
| Bilge keel | Piece of plate set perpendicular to a ship's shell along the bilges to reduce the rolling motion |
| Bilge plating | Curved plating between the bottom shell and the side shell, to be taken as follows: <ul style="list-style-type: none"> • Within the cylindrical part of the ship: from the start of the curvature at the lower turn of bilge on the bottom to the end of the curvature at the upper turn of the bilge • Outside the cylindrical part of the ship: from the start of the curvature at the lower turn of the bilge on the bottom to the lesser of: <ul style="list-style-type: none"> - a point on the side shell located $0.2 D$ above the baseline/local centreline elevation - the end of the curvature at the upper turn of the bilge |
| Bilge strake | The lower strake of bilge plating |
| Boss | The boss of the propeller is the central part to which propeller blades are attached and through which the shaft end passes |
| Bottom shell | Shell envelope plating forming the predominantly flat bottom portion of the shell envelope, including the keel plate |
| Bow | Structural arrangement and form of the forward end of the ship |
| Bower anchor | Anchor carried at the bow of the ship |
| Bracket | Extra structural component used to increase the strength of a joint between two structural members |
| Bracket toe | Narrow end of a tapered bracket |
| Breakwater | Inclined and stiffened plate structure on a weather deck to break and deflect the flow of water coming over the bow |
| Breasthook | Triangular plate bracket joining port and starboard side structural members at the stem |
| Bridge | Elevated superstructure having a clear view forward and at each side, and from which a ship is steered |
| Buckling panel | Elementary plate panel considered for the buckling analysis |
| Builder | The party contracted by the Owner to build a ship in compliance with the Rules |
| Bulb profile | Stiffener having an increase in steel mass on the outer end of the web instead of a separate flange |

| Terms | Definition |
|--------------------|--|
| Bulkhead | Structural partition wall subdividing the interior of the ship into compartments |
| Bulkhead deck | Uppermost continuous deck up to which transverse watertight bulkheads and shell are to extend |
| Bulkhead structure | Transverse or longitudinal bulkhead plating with stiffeners and girders |
| Bulwark | Vertical plating immediately above the upper edge of the ship's side surrounding the exposed deck(s) |
| Bunker | Compartment for the storage of fuel oil used by the ship's machinery |
| Cable | Rope or chain attached to the anchor |
| Camber | Upward rise of the weather deck from both sides towards the centreline of the ship |
| Cargo hold region | See Ch 1, Sec 1, [2.4.3] |
| Carling | Stiffening member used to supplement the regular stiffening arrangement |
| Casing | Covering or bulkheads around any space for protection |
| Centreline girder | Longitudinal member located on the centreline of the ship |
| Chain | Connected metal rings or links used for holding anchor, fastening timber cargoes, etc. |
| Chain locker | Compartment, usually at the forward end of the ship, used to store the anchor chain |
| Chain pipe | Section of pipe through which the anchor chain enters or leaves the chain locker |
| Chain stopper | Device for securing the chain cable when riding at anchor as well as securing the anchor in the housed position in the hawse pipe, thereby relieving the strain on the windlass |
| Coaming | Vertical boundary structure of a hatch or a skylight |
| Cofferdams | Spaces, between two bulkheads or decks, primarily designed as a safeguard against leakage from one compartment to another, see Ch 2, Sec 3, [1] |
| Collar plate | Patch used to close, partly or completely, a hole cut for a stiffener passing through a web plate |
| Collision bulkhead | The foremost main transverse watertight bulkhead |
| Companionway | Weather-tight entrance leading from a deck to spaces below |
| Compartment | Internal space bounded by bulkheads or plating |
| Confined space | Space identified by one of the following characteristics: limited openings for entry and exit, unfavourable natural ventilation or not designed for continuous worker occupancy |
| Cross deck | Area between cargo hatches |
| Deck | Horizontal structure element defining the upper or lower boundary of a compartment |
| Deckhouse | See Ch 1, Sec 1, [2.4.6] |
| Deck structure | Deck plating with stiffeners, girders and supporting pillars |
| Deck transverse | Transverse primary supporting member (PSM) of a deck |
| Deep tank | Any tank which extends between two decks or between the shell/inner bottom and the deck above or higher |
| Designer | The party who creates the documentation to be submitted to the Society for approval or for information. The designer can be the builder or a party contracted by the builder or the Owner to create this documentation |
| Discharges | Any piping leading through the ship's sides for conveying bilge water, circulating water, drains etc. |

| Terms | Definition |
|-------------------------|--|
| Docking bracket | Bracket located in the double bottom to locally strengthen the bottom structure for the purposes of docking |
| Double bottom structure | Inner bottom plating and all shell plating, stiffeners, primary supporting members and other elements located below |
| Doubler | Small piece of plate which is attached to a larger area of plate that requires strengthening in that location. Usually at the attachment point of a stiffener |
| Double skin member | Structural member where the idealised beam comprises the web with top and bottom flanges formed by the attached plating |
| Duct keel | Keel built of plates in box form. It is used to house ballast and other piping leading forward which otherwise would have to run through the cargo hold and or ballast tanks. |
| Enclosed superstructure | Superstructure with bulkheads forward and/or aft fitted with weathertight doors and closing appliances |
| Engine room bulkhead | Transverse bulkhead located either directly forward or aft of the engine room |
| EPP | Elementary Plate Panel, the smallest plate element surrounded by structural members such as stiffeners, PSM, bulkheads, etc. |
| Face plate | Section of a stiffening member attached to the web and usually parallel to the plated surface |
| Flange | Section of a stiffening member attached to the web, or sometimes formed by bending the web over. It is usually parallel to the plated surface |
| Flat bar | Stiffener only made of a web |
| Floor | A bottom transverse member |
| Forecastle | Short superstructure situated at the bow |
| Fore peak | Area of the ship forward of the collision bulkhead |
| Fore peak deck | Short raised deck extending aft from the bow of the ship |
| Freeboard deck | Deck designated as such by the designer, in accordance with ICLL. Generally the uppermost complete deck exposed to weather and sea, with permanent means of closing for all the exposed openings |
| Freeing port | Opening in the bulwarks to allow water shipped on deck to run freely overboard |
| Girder | Collective term for primary supporting structural members |
| Gudgeon | Block with a hole in the centre to receive the pintle of a rudder; located on the stern post, it supports the rudder and allows it to swing |
| Gunwale | Upper edge of side shell |
| Gusset | Plate usually fitted to distribute forces at a strength connection between two structural members |
| Hawse pipe | Steel pipe through which the hawser or cable of anchor passes, located in the ship's bow on either side of the stem, also known as spurling pipe |
| Hawser | Large steel wire or fibre rope used for towing or mooring |
| HP | Bulb profile in accordance with the Holland Profile standard |
| IACS | International Association of Classification Societies |
| ICLL | IMO International Convention on Load Lines, 1966, as amended |
| IMO | International Maritime Organisation |
| Inner hull | The innermost plating forming a second layer to the hull of the ship |

| Terms | Definition |
|---|--|
| Intercostal | Non-continuous member between stiffeners or PSM |
| Keel | Main structural member or backbone of a ship running longitudinally along the centreline of the bottom. Usually a flat plate stiffened by a vertical plate on its centreline inside the shell |
| Knuckle | Discontinuity in a structural member |
| Lightening hole | Hole cut in a structural member to reduce its weight |
| Limber hole | Small drain hole cut in a frame or a plate to prevent water or oil from collecting |
| Local support members | Local stiffening members influencing only the structural integrity of a single panel, e.g. deck beams |
| Longitudinal hull girder shear structural members | Structural members that contribute to strength against hull girder vertical shear loads, including: side, inner hull longitudinal bulkheads and double bottom girders |
| Manhole | Round or oval hole cut in decks, tanks, etc, for the purpose of providing access |
| Margin plate | Outboard strake of the inner bottom and, when turned down at the bilge, the margin plate (or girder) forms the outer boundary of the double bottom |
| MARPOL | IMO International Convention for the Prevention of Pollution from Ships, 1973 and Protocol of 1978, as amended |
| Mid-hold | Middle hold(s) of the three cargo hold length FE model as defined in Ch 7, Sec 2, [1.2.2] |
| Notch | Discontinuity in a structural member caused by welding |
| Oil fuel tank | Tank used for the storage of fuel oil |
| Outer shell | Same as shell envelope |
| Owner | The party who has assumed all the duties and responsibilities for registration and operation of the ship and who, assuming such responsibilities, has agreed to take over all the duties and responsibilities on delivery of the ship from the builder with valid certificates prepared for the operator |
| Pillar | Vertical support placed between decks, where the deck is not supported by the shell or a bulkhead |
| Pipe tunnel | Void space running between the inner bottom and the shell plating, and forming a protective space for bilge, ballast and other lines linking the engine room to the tanks |
| Plate panel | Unstiffened plate surrounded and supported by structural members such as stiffeners, PSM, bulkheads, etc. See also EPP |
| Plating | Sheet of steel supported by stiffeners, primary supporting members or bulkheads |
| Poop | Superstructure located at the extreme aft end of the ship |
| Primary supporting members (PSM) | Members of the beam, girder or stringer type, which provide the overall structural integrity of the hull envelope and tank boundaries, e.g. double bottom floors and girders, transverse side structure, deck transverses, bulkhead stringers and vertical webs on longitudinal bulkheads. |
| Propeller post | The forward post of stern frame, which is bored for propeller shaft. |
| Rudder post | Aft post of stern frame to which the rudder is hung (also called stern post). |
| Scallop | Hole cut into a stiffening member to allow continuous welding of a plate seam |
| Scarfig bracket | Bracket used between two offset structural items |
| Scantlings | Physical dimensions of a structural item |
| Scupper | Any opening for carrying off water from a deck, either directly or through piping |

| Terms | Definition |
|------------------------|--|
| Scuttle | Small opening in a deck or elsewhere, usually fitted with a cover, a lid or a door for access to a compartment |
| Sheerstrake | Top strake of a ship's side shell plating |
| Shell envelope plating | Shell plating forming the effective hull girder exclusive of the strength deck plating |
| Side shell | Shell envelope plating forming the side portion of the shell envelope above the bilge plating |
| Single skin member | Structural member where the idealised beam comprises a web, a top flange formed by an attached plating and a bottom flange formed by a face plate |
| Skylight | Deck opening fitted with or without a glass port light and serving as a ventilator for engine room, quarters, etc. |
| SOLAS | IMO International Convention for the Safety of Life at Sea, 1974 as amended |
| Spaces | Separate compartments, including tanks |
| Stay | Bulwark or hatch coaming brackets |
| Stem | Piece of bar or plating at which the hull plating terminates at forward end |
| Stern | The after end of the vessel. |
| Stern frame | The heavy strength members attached to the after end of a hull to form the ship's stern. It includes rudder post, propeller post, and aperture for the propeller. |
| Stern tube | Tube through which the shaft passes to the propeller; it acts as an after bearing for the shafting. It may be lubricated with water or oil |
| Stiffener | Collective term for secondary supporting structural members |
| Strake | Course or row of shell, deck, bulkhead, or other plating |
| Strength deck | The uppermost continuous deck |
| Stringer | Horizontal girder linking vertical web frames |
| Stringer plate | Outside strake of deck plating |
| Superstructure | See Ch 1, Sec 1, [2.4.6] |
| SWL | Safe Working Load |
| Tank | Generic term for space intended to carry liquid such as seawater, fresh water, oil, liquid cargoes, FO, DO, etc. |
| Tank top | Horizontal plating forming the bottom of a cargo hold |
| Towing pennant | Long rope used to tow a ship |
| Transom | Structural arrangement and form of the aft end of the ship |
| Transverse ring | All transverse material appearing in a cross-section of the hull, in way of a double-bottom floor, a vertical web and a deck transverse girder |
| Transverse web frame | Primary transverse girder which joins the ship longitudinal structure |
| Tripping bracket | Bracket used to strengthen a structural member under compression against torsional forces |
| Trunk | Decked structure similar to a deckhouse but not provided with a lower deck |
| Void | Enclosed empty space in a ship |
| Watertight | Watertight means capable of preventing the passage of water through the structure under a head of water for which the surrounding structure is designed |

| Terms | Definition |
|------------------------|--|
| Weather deck | Deck or section of deck exposed to the elements which has means of closing weathertight all hatches and openings |
| Weathertight | Weathertight means that, in any sea conditions, water will not penetrate into the ship |
| Web | Section of a stiffening member attached to the plated surface, usually perpendicular |
| Web frame | Transverse PSM, including deck transverse |
| Wind and water strakes | Strakes of the side shell plating between the ballast and the deepest load waterline |
| Windlass | Winch for lifting and lowering the anchor chain |

Section 5 – Loading Manual and Loading Instrument

1. General requirements

1.1 Application

1.1.1

This Section contains minimum requirements for loading guidance information.

1.1.2

An approved loading manual and an approved loading instrument are to be supplied onboard.

1.1.3

A ship may in actual operation be loaded differently from the loading conditions specified in the loading manual, provided limitations for longitudinal and local strength as defined in the loading manual and loading instrument onboard and applicable stability requirements are not exceeded.

1.1.4

The requirements concerning the loading manual are given in [2] and those concerning the loading instruments in [3]. The loading manual and instruments for intact and damaged conditions are also to be satisfied the requirements in Pt 7, Ch 5, Sec 2, [202] and [203].

1.2 Annual and class renewal survey

1.2.1

At each annual and class renewal survey, it is to be checked that the approved loading manual is available onboard.

1.2.2

The loading instrument is to be checked for accuracy at regular intervals by the ship's master by applying test loading conditions.

1.2.3

At each class renewal survey this checking is to be done in the presence of the surveyor.

2. Loading manuals

2.1 General requirements

2.1.1 Definition

The approved loading manual is to be based on the final data of the ship.

A loading manual is a document which describes:

- a) The loading conditions on which the design of the ship has been based for seagoing and harbour/sheltered water, including permissible limits of still water bending moment and shear force.
- b) The results of the calculations of still water bending moments, shear forces and where applicable limitations due to lateral loads,
- c) The allowable local loading for the structure (e.g. hatch covers, decks, double bottom, etc), where applicable,
- d) The relevant operational limitations.

2.1.2 Condition of approval

The approved loading manual is to be based on the final data of the ship.

Modifications resulting in changes to the main data of the ship (e.g. lightship weight, buoyancy distribution, tank volumes or usage, etc), require the loading manual to be updated and re-approved, and subsequently the loading computer system to be updated and re-approved. However, new loading guidance and an updated loading manual need not be resubmitted provided that the resulting draughts, still water bending moments and shear forces do not differ from the originally approved data by more than 2%.

The loading manual is to be prepared in a language understood by the users. If this language is not English, a translation into English is to be included.

2.1.3 Loading conditions

The loading manual is to include the design (cargo and ballast) loading conditions, subdivided into departure and arrival conditions as appropriate, upon which the approval of the hull scantlings is based, as defined in **Ch 7, Sec 2**. Following items as design variables of loading conditions shall be considered:

- a) design loading pattern of cargo tanks
- b) minimum design draft in ballast, at FP, AP and at $L/2$
- c) maximum design draft with any cargo tank(s) empty
- d) minimum design draft with any cargo tank full
- e) filling condition of double hull ballast tanks under the loaded/empty cargo tank, this should be noted as an operational limitation
- f) filling limitations of cargo tanks. This should be noted as an operational limitation
- g) maximum design GM for calculating design accelerations for each cargo tank, normally based on single tank filling.

2.1.4 Operational limitations

The loading manual is to describe relevant operational limitations:

- a) Scantling draught,
- b) Design minimum ballast draught at midships,
- c) Design slamming ballast draught forward with forward double bottom ballast tanks filled,
- d) Design slamming ballast draught forward with any of the forward double bottom ballast tanks empty,
- e) Maximum service speed,
- f) Envelope results and permissible limits of still water bending moments and shear forces.

3. Loading instrument

3.1 General requirements

3.1.1 Definition

A loading computer system is a system, which is either analog or digital, by means of which it can be easily and quickly ascertained that, at specified read-out points, relevant operational limitations, such as the still water bending moments, shear forces, and lateral loads, where applicable, in any load or ballast condition do not exceed the specified permissible values. The loading instrument is ship specific onboard equipment and the results of the calculations are only applicable to the ship for which it has been approved. An approved loading instrument can not replace an approved loading manual.

3.1.2 Conditions of approval of loading instruments

The loading instrument is subject to approval based on the Rules of the individual Society. The approval is to include:

- a) Verification of type approval, if any,
- b) Verification that the final data of the ship has been used,
- c) Acceptance of number and position of read-out points,
- d) Acceptance of relevant limits for all read-out points,
- e) Checking of proper installation and operation of the instrument onboard, in accordance with agreed test conditions, and that a copy of the operation manual is available.

Modifications resulting in changes to the main data of the ship (e.g. lightship weight, buoyancy distribution, tank volumes or usage, etc), require the loading manual to be updated and re-approved, and subsequently the loading instrument to be updated and re-approved. However, new loading guidance and an updated loading instrument need not be resubmitted provided that the resulting draughts, still water bending moments and shear forces do not differ from the originally approved data by more than 2%.

An operational manual is always to be provided for the loading instrument. The operation manual and the instrument output are to be prepared in a language understood by the users. If this language is not English, a translation into English is to be included. The operation of the loading instrument is to be verified upon installation. It is to be checked that the agreed test conditions and the operation manual for the instrument is available onboard.

Chapter 2

General Arrangement Design

- Section 1 General
- Section 2 Subdivision Arrangement
- Section 3 Compartment Arrangement
- Section 4 Access Arrangement

Section 1 – General

1. General

1.1 General

1.1.1

This chapter covers the general structural arrangement requirements for the ship. Double bottom, double side, trunk deck and cofferdam bulkhead are arranged to support sufficiently the cargo containment system. The double bottom height and double side breadth to the cargo tank shall comply with **Pt 7, Ch 5, Sec 2, [204]**.

Section 2 – Subdivision Arrangement

1. Watertight bulkhead arrangement

1.1 Number and disposition of watertight bulkheads

1.1.1

All ships are to have at least the following transverse watertight bulkheads:

- a) One collision bulkhead.
- b) One aft peak bulkhead.
- c) One bulkhead forward of the machinery space, and one bulkhead at the aft end of the machinery space which may be the aft peak bulkhead.

1.1.2

In the case of ships with an electrical propulsion plant, both the generator room and the engine room are to be enclosed by watertight bulkheads.

1.1.3

In addition to the requirements of [1.1.1] and [1.1.2], the number and disposition of bulkheads are to be arranged to suit the requirements for subdivision, floodability and damage stability, and are to be in accordance with the requirements of national regulations.

1.1.4

The bulkheads in the cargo hold region are to be spaced at uniform intervals as far as practicable.

2. Collision bulkhead

2.1 Extent and position of collision bulkhead

2.1.1

A collision bulkhead is to be fitted on all ships and is to extend to the freeboard deck. It is to be located between $0.05 L_{LL}$ or 10 m, whichever is less, and except as may be permitted by the Administration, $0.08 L_{LL}$ or $0.05 L_{LL} + 3$ m, whichever is the greater, aft of the reference point, where the reference point is as defined in [2.1.2].

2.1.2

For ships without bulbous bows the reference point is to be taken where the forward end of L_{LL} coincides with the forward side of stem, on the waterline which L_{LL} is measured. For ships with bulbous bows, it is to be measured from the forward end of L_{LL} a distance x forward; where x is to be taken as the lesser of the following:

- a) Half the distance, from FP_{LL} to the extreme forward end of the bulb extension.
- b) $0.015 L_{LL}$.
- c) 3.0 m.

2.2 Arrangement of collision bulkhead

2.2.1

In general, the collision bulkhead is to be in one plane; however, the bulkhead may have steps or recesses provided that they are within the limits prescribed in [2.1.1] and [2.1.2].

2.2.2

No doors, manholes, access openings, ventilation ducts or any other openings shall be fitted in the collision bulkhead below the freeboard deck. Where the collision bulkhead is extended above the freeboard deck, the number of openings in the extension is to be kept to a minimum compatible with the design and proper working of the ship.

3. Aft peak bulkhead

3.1 General

3.1.1

An aft peak bulkhead, enclosing the stern tube and rudder trunk in a watertight compartment, is to be provided. Where the shafting arrangements make enclosure of the stern tube in a watertight compartment impractical, alternative arrangements are specially considered.

3.1.2

The aft peak bulkhead may be stepped below the bulkhead deck or the freeboard deck, provided that the degree of safety of the ship as regards subdivision is not thereby diminished.

3.1.3

The aft peak bulkhead location on ships powered and/or controlled by equipment that do not require the fitting of a stern tube and/or rudder trunk are also subject to special consideration.

3.1.4

Provided that the aft peak bulkhead extends above the deepest load line, termination of the afterpeak bulkhead on a watertight deck lower than the freeboard deck can be accepted. In order to provide such a watertight deck a tight sealing of the rudder stock shall be fitted in way of this deck or above. (2023)

Section 3 – Compartment Arrangement

1. Cofferdam

1.1 Definition

1.1.1

A cofferdam means an empty space arranged so that compartments on each side have no common boundary; a cofferdam may be located vertically or horizontally. As a rule, a cofferdam is to be kept gas-tight and is to be properly ventilated, provided with drainage arrangement, and of sufficient size to allow proper inspection, maintenance and safe evacuation.

1.2 Arrangement of cofferdams

1.2.1

Cofferdams are to be provided the isolating space between two adjacent steel bulkheads or decks. This space may be a void space or a ballast space.

1.2.2

Furthermore, tanks carrying fresh water for human consumption are to be separated from other tanks containing substances hazardous to human health by cofferdams or other means as approved by the Society.

Note 1: Normally, tanks for fresh water and water ballast are considered non-hazardous.

1.2.3

Where a corner to corner situation occurs, tanks are not considered to be adjacent.

1.2.4

The cofferdams specified in [1.2.1] may be waived when deemed impracticable or unreasonable by the Society in relation to the characteristics and dimensions of the spaces containing such tanks, provided that:

- a) the thickness of common boundary plates of adjacent tanks is increased, with respect to the thickness obtained according to **Ch 6, Sec 4**, by 2.0 mm in case of tanks carrying fresh water or boiler feed water, and by 1 mm in other cases except in cargo hold region,
- b) the sum of the throats of the weld fillets at the edges of these plates is not less than the thickness of the plates themselves,
- c) the structural test is carried out with a test pressure increased by 1.0 m with respect to **Ch 1, Sec 2, [3.8.4]**.

2. Double bottom

2.1 General

2.1.1

A double bottom need not be fitted in way of watertight tanks, including dry tanks of moderate size provided the safety of the ship is not impaired in the event of bottom or side damage as regulated in **SOLAS II-1, Reg 9**.

2.2 Extent of double bottom

2.2.1

A double bottom is to be fitted extending from the collision bulkhead to the aft peak bulkhead, as far as this is practicable and compatible with the design and proper working of the ship. A double bottom is to be fitted to protect the cargo hold region and pump rooms.

2.2.2

Where double bottom is required to be fitted, the inner bottom is to be continued out to the ship side in such a manner as to protect the bottom to the turn of the bilge in areas where double side spaces are not provided.

2.3 Height of double bottom

2.3.1

Unless otherwise specified, the height of the double bottom is not to be less than the lesser of: $B/20$ or 2 m, however not less than 0.76 m measured vertically from the plane parallel with keel line to inner bottom.

2.4 Small wells in double bottom tank

2.4.1

Small wells constructed in the double bottom are not to extend in depth more than necessary and to comply with **Pt 7, Ch 5, Sec 2, [204.3]**. A well extending to the outer bottom, may, however, be permitted at the after end of the shaft tunnel of the ship. Other wells may be permitted by the Society if it is satisfied that the arrangements give protection equivalent to that afforded by a double bottom that complies with **[2.1]**.

3. Double Side

3.1 Minimum clearance inside the double side

3.1.1 Definition

The minimum clearance is defined as the shortest distance measured between assumed lines connecting the inner surfaces of the stiffeners on the inner and outer hulls.

3.1.2 Minimum clearance dimensions

The minimum clearance between the inner surfaces of the stiffeners inside the double side is not to be less than:

- a) 600 mm when the inner and/or the outer hulls are transversely framed,
- b) 800 mm when the inner and the outer hulls are longitudinally framed.

Outside the parallel part of the cargo hold, the clearance may be reduced but is not to be less than 600 mm.

4. Ballast Tank

4.1 Capacity and disposition of ballast tanks

4.1.1

All ships are to have ballast tanks of sufficient capacity that the ship may operate safely on ballast voyage.

Section 4 – Access Arrangement

1. Closed spaces

1.1 General

1.1.1

All closed spaces are to be accessible for easy inspection. Special measures for inspection and maintenance are to be put in place for small closed spaces for which the design causes impracticality for the access.

2. Cargo area and forward space

2.1 General

All tanks are to be accessible for easy inspection. Visual inspection of at least one side of the inner hull structure shall be possible without the removal of any fixed structure or fitting. The inspection of cargo containment system shall be carried out in accordance with **Pt 7, Ch 5, Sec 3, [305]**.

Chapter 3

Structural Design Principles

- Section 1 **Materials**

- Section 2 **Net Scantling Approach**

- Section 3 **Corrosion Addition**

- Section 4 **Corrosion Protection**

- Section 5 **Limit States**

- Section 6 **Structural Detail Principles**

- Section 7 **Structural Idealisation**

Section 1 – Materials

1. General

1.1 Standard of material

1.1.1

Materials used during construction are to comply with Pt 2, Ch 1.

1.1.2

Other materials than those covered under [1.1.1] may be accepted, provided their specification (e.g. manufacture, chemical composition, mechanical properties, welding) is submitted to the Society for approval. In order to select hull material in cargo hold region, temperature analyses shall be carried out as given in Pt 7, Ch 5, Sec 4, [413.4] and “Guidance of Heat Transfer Analysis for Ships Carrying Liquefied Gases in Bulk/Ships Using Liquefied Gases as Fuels”.

1.2 Testing of materials

1.2.1

Materials are to be tested in compliance with the applicable requirements of Pt 2, Ch 1.

1.3 Manufacturing process

1.3.1

The requirements of this section presume that welding and other cold or hot manufacturing processes are carried out in compliance with current sound working practice defined in the Rules and/or documents of the individual Society which incorporate IACS UR W and the applicable requirements of Pt 2, Ch 1.

In particular:

- a) Parent material and welding processes are to be within the limits stated for the specified type of material for which they are intended.
- b) Specific preheating may be required before welding.
- c) Welding or other cold or hot manufacturing processes may need to be followed by an adequate heat treatment.

2. Hull structural steel

2.1 General

2.1.1 Young’s modulus and Poisson’s ratio

The Young’s modulus for Carbon steel materials is equal to 206,000 N/mm² and the Poisson’s ratio equal to 0.3.

2.1.2 Steel material grades and mechanical properties

Steel having a specified minimum yield stress of 235 N/mm² is regarded as normal strength hull structural steel and is denoted by ‘MS’ for mild steel. Steel having a higher specified minimum yield stress is regarded as higher strength hull structural steel and is denoted ‘HT’ for high tensile steel.

Material grades of hull structural steels are referred to as follows:

- a) A, B, D and E denote normal strength steel grades.

b) AH, DH and EH denote higher strength steel grades.

Table 1 gives the mechanical characteristics of steels generally used in the construction of ships.

Table 1 : Mechanical properties of hull steels

| Steel grades for plates with $t_{as-built} \leq 100$ mm | R_{eH} , specified minimum yield stress, in N/mm ² | R_m , specified tensile strength, in N/mm ² |
|---|---|--|
| A-B-D-E | 235 | 400 - 520 |
| AH32 - DH32 - EH32 - FH32 | 315 | 440 - 570 |
| AH36 - DH36 - EH36 - FH36 | 355 | 490 - 630 |
| AH40 - DH40 - EH40 - FH40 | 390 | 510 - 660 |

2.1.3

Higher strength steels other than those indicated in **Table 1** are considered by the Society on a case-by-case basis.

2.1.4 High tensile steel

When steels with a specified minimum yield stress R_{eH} other than 235 N/mm² are used, hull girder strength and hull scantlings are to be determined by taking into account the material factor, k defined in [2.2].

2.1.5 Onboard documents

It is required to keep onboard a plan indicating the steel types and grades adopted for the hull structures. Where steels other than those indicated in **Table 1** are used, their mechanical and chemical properties, as well as any workmanship requirements or recommendations, are to be available onboard together with the above plan.

2.2 Material factor, k

2.2.1

Unless otherwise specified, the material factor, k of normal and higher strength steel for hull girder strength and scantling purposes is to be taken as defined in **Table 2**, as a function of the specified minimum yield stress R_{eH} . For intermediate values of R_{eH} , k is obtained by linear interpolation. Steels with a specified minimum yield stress R_{eH} , greater than 390 N/mm² are considered by the Society on a case by-case basis.

Table 2 : Material factor, k

| R_{eH} , specified minimum yield stress, in N/mm ² | k |
|---|------|
| 235 | 1.00 |
| 315 | 0.78 |
| 355 | 0.72 |
| 390 | 0.68 |

2.3 Steel grades

2.3.1

Materials in the various strength members are not to be of lower grade than those corresponding to the material classes and grades specified in **Table 3** to **Table 6**. General requirements are given in **Table 3**, while additional minimum requirements for ships greater than 150 m or 250 m in length are given respectively in **Table 4** and **Table 5**. The material grade requirements for hull members of each class depending on the thickness are defined in **Table 6**.

2.3.2

For strength members not mentioned in **Table 3** to **Table 5**, grade A/AH may be used, upon agreement of the Society.

2.3.3

Plating materials for stern frames and shaft brackets are, in general, not to be of lower grades than those corresponding to Class II.

Table 3 : Material classes and grades

| Structural member category | | Within 0.4 L amidships | Outside 0.4 L and within 0.6 L amidships | Outside 0.6 L amidships |
|--|---|------------------------|--|-------------------------|
| Secondary | <ul style="list-style-type: none"> Longitudinal bulkhead strakes, other than those belonging to the primary category Deck plating exposed to weather, other than that belonging to the primary or special category Side plating | I | A / AH | A / AH |
| Primary | <ul style="list-style-type: none"> Bottom plating, including keel plate Strength deck plating, excluding that belonging to the special category Continuous longitudinal plating of strength members above strength deck Uppermost strake in longitudinal bulkhead | II | A / AH | A / AH |
| Special | <ul style="list-style-type: none"> Sheerstrake at strength deck⁽¹⁾ Stringer plate in strength deck⁽¹⁾ Deck strake at longitudinal bulkhead, excluding deck plating in way of inner-skin bulkhead of double hull ships⁽¹⁾ | III | II | I |
| | <ul style="list-style-type: none"> Plating in trunk deck and inner deck at outboard coners of liquid and gas dome in membrane type liquefied natural gas carrier. | III | II | II |
| | <ul style="list-style-type: none"> Bilge strake in ships with double bottom over the full breadth and with length less than 150 m | II | II | I |
| | <ul style="list-style-type: none"> Bilge strake in other ships⁽¹⁾ | III | II | I |
| ⁽¹⁾ Single strakes required to be of class III within 0.4 L amidships are to have breadths not less than $(800 + 5 L)$ mm, but need not be greater than 1800 mm, unless limited by the geometry of the ship's design. | | | | |

Table 4 : Minimum material grades for ships greater than 150 m in length

| Structural member category | | Material grade |
|---|--|-------------------------------------|
| • Longitudinal plating of strength deck where contributing to the longitudinal strength | | Grade B/AH within 0.4 L amidships |
| • Continuous longitudinal plating of strength members above strength deck | Trunk deck plating | Class II within 0.4 L amidships |
| | Inner deck plating Longitudinal plating between the trunk deck and inner deck | Grade B/AH within 0.4 L amidships |

Table 5 : Minimum material grades for ships greater than 250 m in length

| Structural member category ⁽¹⁾ | Material grade |
|---|-------------------------------------|
| • Shear strake at strength deck | Grade E/EH within 0.4 L amidships |
| • Stringer plate in strength deck | Grade E/EH within 0.4 L amidships |
| • Bilge strake | Grade D/DH within 0.4 L amidships |

⁽¹⁾ Single strakes required to be of grade D/DH or grade E/EH and within 0.4 L amidships are to have breadths not less than $(800 + 5L)$ mm, but need not be greater than 1800 mm, unless limited by the geometry of the ship's design.

Table 6 : Material grade requirements for classes I, II, III

| As-built thickness, in mm | Class I | | Class II | | Class III | |
|---------------------------|----------|----------|----------|----------|-----------|----------|
| | MS steel | HT steel | MS steel | HT steel | MS steel | HT steel |
| $t \leq 15$ | A | AH | A | AH | A | AH |
| $15 < t \leq 20$ | A | AH | A | AH | B | AH |
| $20 < t \leq 25$ | A | AH | B | AH | D | DH |
| $25 < t \leq 30$ | A | AH | D | DH | D | DH |
| $30 < t \leq 35$ | B | AH | D | DH | E | EH |
| $35 < t \leq 40$ | B | AH | D | DH | E | EH |
| $40 < t \leq 50$ | D | DH | E | EH | E | EH |

2.4 Structures exposed to low air temperature

2.4.1

For ships intended to operate in areas with low air temperatures refer to **Ch 1, Sec 2, [3.4.4]**.

2.5 Through thickness property

2.5.1

Where tee or cruciform connections employ partial or full penetration welds, and the plate material is subject to significant tensile strain in a direction perpendicular to the rolled surfaces, consideration is to be given to the use of special material with specified through thickness properties, in accordance with **Pt 2, Ch 1**. These steels are to be designated on the approved plan by the required steel strength grade followed by the letter Z (e.g. EH36Z).

2.6 Stainless steel

2.6.1

The reduction of strength of stainless steel with increasing temperature is to be taken into account in the calculation of the material factor, k and in the material Young's modulus, E . Stainless steels are to be in accordance with **Pt 2, Ch 1**.

3. Steels for forging and casting

3.1 General

3.1.1

Mechanical and chemical properties of steels for forging and casting to be used for structural members are to comply with the applicable requirements of **Pt 2, Ch 1**.

3.1.2

Steels of structural members intended to be welded are to have mechanical and chemical properties deemed appropriate for this purpose by the Society on a case-by-case basis.

3.1.3

The steels used are to be tested in accordance with the applicable requirements of **Pt 2, Ch 1**.

3.2 Steels for forging

3.2.1

Rolled bars may be accepted in lieu of forged products, after consideration by the Society on a case-by-case basis. In such case, compliance with the applicable requirements of the Rules for Materials of the Society, relevant to the quality and testing of rolled parts accepted in lieu of forged parts, may be required.

3.3 Steels for casting

3.3.1

Cast parts intended for stems and stern frames in general may be made of C and C-Mn weldable steels, having specified minimum tensile strength, $R_m = 400 \text{ N/mm}^2$, in accordance with the applicable requirements of the Society's Rules for Materials.

3.3.2

The welding of cast parts to main plating contributing to hull strength members is considered by the Society on a case-by-case basis.

The Society may require additional properties and tests for such casting, in particular impact properties which are appropriate to those of the steel plating on which the cast parts are to be welded and non-destructive examinations.

4. Aluminium alloys

4.1 General

4.1.1

The use of aluminium alloys in superstructures, deckhouses, hatch covers, helicopter platforms, or other local components is to be specially considered. A specification of the proposed alloys and their proposed method of fabrication is to be submitted for approval. Material requirements and scantlings are to comply with the Rules for Materials of the Society. Series 5000 aluminium-magnesium alloys or series 6000 aluminium-magnesium-silicon alloys are to be used.

4.1.2

In the case of structures subjected to low service temperatures or intended for other specific applications, the alloys to be employed are to be agreed by the Society.

4.1.3

Unless otherwise agreed, the Young's modulus for aluminium alloys is equal to 70,000 N/mm² and the Poisson's ratio equal to 0.33.

4.1.4

Details of the proposed method of joining any aluminium and steel structures are to be submitted for approval.

4.2 Extruded plating

4.2.1

Extrusions with built-in plating and stiffeners, referred to as extruded plating, may be used.

4.2.2

In general, the application of extruded plating is limited to decks, bulkheads, superstructures and deckhouses. Other uses may be permitted by the Society on a case-by-case basis.

4.2.3

Extruded plating is to be oriented so that the stiffeners are parallel to the direction of main stresses.

4.2.4

Connections between extruded plating and primary members are to be given special attention.

4.3 Mechanical properties of weld joints

4.3.1

Welding heat input lowers locally the mechanical strength of aluminium alloys hardened by work hardening (series 5000 other than condition O or H111) or by heat treatment (series 6000).

4.3.2

The as-welded properties of aluminium alloys of series 5000 are in general those of condition O or H111. Higher mechanical characteristics may be considered, provided they are duly justified.

4.3.3

The as-welded properties of aluminium alloys of series 6000 are to be agreed by the Society.

4.4 Material factor, k

4.4.1

The material factor, k for aluminium alloys is to be obtained from the following formula:

$$k = \frac{235}{R'_{lim}}$$

where:

R'_{lim} : Minimum guaranteed yield stress of the parent metal in welded condition $R'_{p0.2}$, in N/mm², but not to be taken greater than 70% of the minimum guaranteed tensile strength of the parent metal in welded condition R'_m , in N/mm².

$R'_{p0.2}$: Minimum guaranteed yield stress, in N/mm², of material in welded condition.

$$R'_{p0.2} = \eta_1 R_{p0.2}$$

R'_m : Minimum guaranteed tensile strength, in N/mm², of material in welded condition.

$$R'_m = \eta_2 R_m$$

$R_{p0.2}$: Minimum guaranteed yield stress, in N/mm², of the parent metal in delivery condition.

R_m : Minimum guaranteed tensile strength, in N/mm², of the parent metal in delivery condition.

η_1, η_2 : Specified in **Table 7**.

Table 7 : Aluminium alloys – Coefficients for welded construction

| Aluminium alloy | η_1 | η_2 |
|--|----------------------|------------|
| Alloys without work-hardening treatment (series 5000 in annealed condition O or annealed flattened condition H111) | 1 | 1 |
| Alloys hardened by work hardening (series 5000 other than condition O or H111) | $R'_{p0.2}/R_{p0.2}$ | R'_m/R_m |
| Alloys hardened by heat treatment (series 6000) ⁽¹⁾ | $R'_{p0.2}/R_{p0.2}$ | 0.6 |

⁽¹⁾ When no information is available, coefficient η_1 is to be taken equal to the metallurgical efficiency coefficient β as defined in **Table 8**.

Table 8 : Aluminium alloys – Metallurgical efficiency coefficient β

| Aluminium alloy | Temper condition | As-built thickness, in mm | β |
|-------------------------|------------------|---------------------------|---------|
| 6005A (Open sections) | T5 or T6 | $t \leq 6$ | 0.45 |
| | | $t > 6$ | 0.40 |
| 6005A (Closed sections) | T5 or T6 | All | 0.50 |
| 6061 (Sections) | T6 | All | 0.53 |
| 6082 (Sections) | T6 | All | 0.45 |

4.4.2

In the case of welding of two different aluminium alloys, the material factor, k to be considered for the scantlings is the greater material factor of the aluminium alloys of the assembly.

4.5 Others

4.5.1

Aluminium fittings in tanks used for the carriage of fuel oil, and in cofferdams and pump rooms are to be avoided.

4.5.2

The underside of heavy portable aluminium structures such as gangways, is to be protected by means of a hard plastic or wood cover, or other approved means, in order to avoid the creation of smears. Such protection is to be permanently and securely attached to the structures.

5. Other materials and products

5.1 General

5.1.1

Other materials and products such as parts made of iron castings, where allowed, products made of copper and copper alloys, rivets, anchors, chain cables, cranes, masts, derrick posts, derricks, accessories and wire ropes are to comply with the applicable requirements of **Pt 2, Ch 1**, the Rules for Materials of the Society.

5.1.2

The use of plastics or other special materials not covered by these Rules is to be considered by the Society on a case-by-case basis. In such cases, the requirements for the acceptance of the materials concerned are to be agreed by the Society.

5.2 Iron cast parts

5.2.1

As a rule, the use of grey iron, malleable iron or spheroidal graphite iron cast parts with combined ferritic/perlitic structure is allowed only to manufacture low stressed elements of secondary importance.

5.2.2

Ordinary iron cast parts may not be used for windows or sidescuttles; Iron cast part used for windows or sidescuttles are to be in accordance with **Pt 4, Ch 8, 804** and **904**.

Section 2 – Net Scantling Approach

Symbols

For symbols not defined in this section, refer to **Ch 1, Sec 4**.

- t : Net thickness in mm.
- t_c : Corrosion addition in mm.
- t_{gr} : Gross thickness in mm.
- h_{stf} : Height of stiffener or primary supporting member in mm.
- h_w : Web height of stiffener or primary supporting member in mm.
- t_w : Web thickness of stiffener or primary supporting member in mm.
- b_f : Face plate width of stiffener or primary supporting member in mm.
- t_f : Face plate thickness of stiffener or primary supporting member in mm.
- t_p : Thickness of the plating attached to a stiffener or to a primary supporting member in mm.
- d_e : Distance in mm, from the upper edge of the web to the top of the flange for L3 profiles, see **Figure 3**.
- d_f : Distance in mm, for extension of flange for L2 profiles, see **Figure 3**.
- $t_{as-built}$: As-built thickness, in mm, taken as the actual thickness provided at the newbuilding stage.
- t_{gr-off} : Gross offered thickness, in mm, as defined in **[1.2.2]**.
- t_{gr-req} : Gross required thickness, in mm, as defined in **[1.2.1]**.
- t_{off} : Net offered thickness, in mm, as defined in **[1.2.3]**.
- t_{dm} : Design production margin, in mm, taken as the thickness difference between offered gross thickness and required gross thickness (equal also to the difference between offered net and required net thickness) as a result of scantlings applied by the designer or builder to suit design or production situation. This difference in thickness is not to be considered as an additional corrosion margin.
- t_{req} : Net required thickness, in mm, as required in **[1.3.1]**.
- $t_{vol-add}$: Thickness for voluntary addition, in mm, taken as the thickness voluntarily added as the owner's extra margin or builder's extra margin for corrosion wastage in addition to t_c .
- t_{res} : Reserve thickness, in mm, taken equal to 0.5 mm.
- t_{c1}, t_{c2} : Corrosion addition on one side of the considered structural member, in mm, as defined in **Ch 3, Sec 3, Table 1**.

1. General

1.1 Application

1.1.1 Net thickness approach

The net thickness, t , of a structural element is required for structural strength in compliance with the design basis. The corrosion addition, t_c , for a structural element is derived independently from the net scantling requirements as shown in **Figure 1**. This approach clearly separates the net thickness from the thickness added to address the corrosion that is likely to occur during the ship-in-operation phase.

1.1.2 Local and global corrosion

The net thickness approach distinguishes between local and global corrosion. Local corrosion is defined as uniform corrosion of local structural elements, such as a single plate or stiffener. Global corrosion is defined as the average corrosion of larger areas, such as primary supporting members and the hull girder.

1.1.3 Exceptions in gross scantling

Items that are directly determined in terms of gross scantlings do not follow the net scantling approach, i.e. they already include additions for corrosion but without any owner's extra margin. Gross scantling requirements are identified with the suffix "gr" and examples are:

- a) Scantlings of superstructures and deckhouses as given in **Ch 11, Sec 1**.
- b) Scantlings of massive pieces made of steel forgings and steel castings.

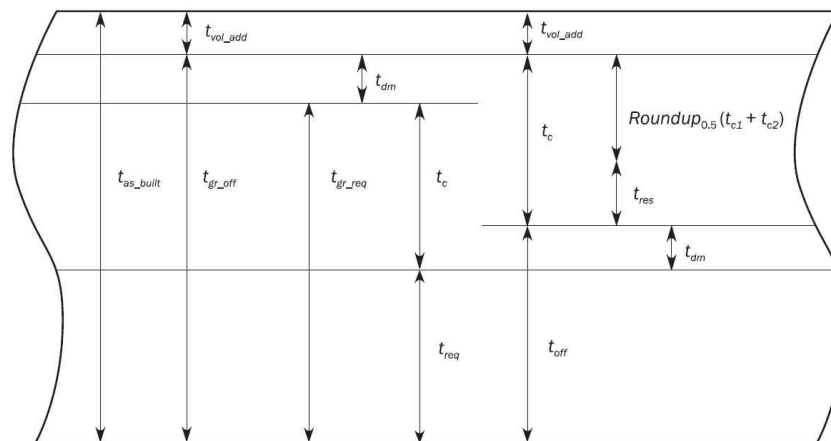


Figure 1 : Net scantling approach scheme

1.2 Gross and net scantling definitions

1.2.1 Gross required thickness

The gross required thickness, t_{gr-req} , is the thickness obtained by adding the corrosion addition as defined in **Ch 3, Sec 3** to the net required thickness, as follows:

$$t_{gr-req} = t_{req} + t_c$$

1.2.2 Gross offered thickness

The gross offered thickness, t_{gr-off} , is the gross thickness provided at the newbuilding stage, which is obtained by deducting any thickness for voluntary addition from the as-built thickness, as follows:

$$t_{gr-off} = t_{as-built} - t_{vol-add}$$

1.2.3 Net offered thickness

The net offered thickness, t_{off} , is obtained by subtracting the corrosion addition from the gross offered thickness, as follows:

$$t_{off} = t_{gr-off} - t_c = t_{as-built} - t_{vol-add} - t_c$$

1.3 Scantling compliance

1.3.1

The net required thickness, t_{req} , is obtained by rounding the net thickness calculated according to the

Rules to the nearest half millimetre. For example:

- a) For $10.75 \leq t < 11.25$ mm, the Rule required net thickness is 11.0 mm.
- b) For $11.25 \leq t < 11.75$ mm, the Rule required net thickness is 11.5 mm.

1.3.2

Scantling compliance in relation to the Rules is as follow:

- a) The net offered thickness of plating is to be equal to or greater than the net required thickness of plating.
- b) The required net section modulus, moment of inertia and shear area properties of local supporting members are to be calculated using the net thickness of the attached plate, web and flange. The net sectional dimensions of local supporting members are defined in **Figure 2** and **Figure 3**. The required section modulus and web net thickness apply to areas clear of the end brackets.
- c) The offered net sectional properties of primary supporting members are to be equal to or greater than the required net sectional properties which are to be based on the gross offered scantling with a reduction of the applicable corrosion addition, as specified in **Table 1**, applied to all component structural members.
- d) The strength assessment methods prescribed are to be assessed with by applying the corrosion reduction specified in **Table 1** to the offered gross scantlings. Buckling strength is to be assessed by applying corrosion reduction specified in **Table 1**.
- e) Corrosion additions are not to be taken less than those given in **Ch 3, Sec 3, [1.2]**.

Any additional thickness specified by the owner or the builder is not to be included when considering the compliance with the Rules.

Table 1 : Assessment for corrosion applied to the scantlings

| Structural requirement | Property/analysis type | Applied corrosion addition |
|---|--|----------------------------|
| Minimum thickness (all members including PSM) | Thickness | t_c |
| Local strength (plates and stiffeners) | Thickness / sectional properties | t_c |
| | Stiffness / proportions / Buckling capacity | t_c |
| Primary supporting members (prescriptive) | Sectional properties | $0.5 t_c$ |
| | Stiffness / proportions of web and flange Buckling capacity | t_c |
| Strength assessment by FEM | Cargo hold (stress determination) | 0 |
| | Buckling capacity | t_c |
| | Local fine mesh | 0 |
| Hull girder strength | Sectional properties | 0 |
| | Buckling capacity | t_c |
| Fatigue assessment (simplified stress analysis) | Hull girder section properties Local support member | $0.5 t_c$ |
| Fatigue assessment (FE Stress analysis) | Coarse mesh FE model Very fine mesh portion | 0 |

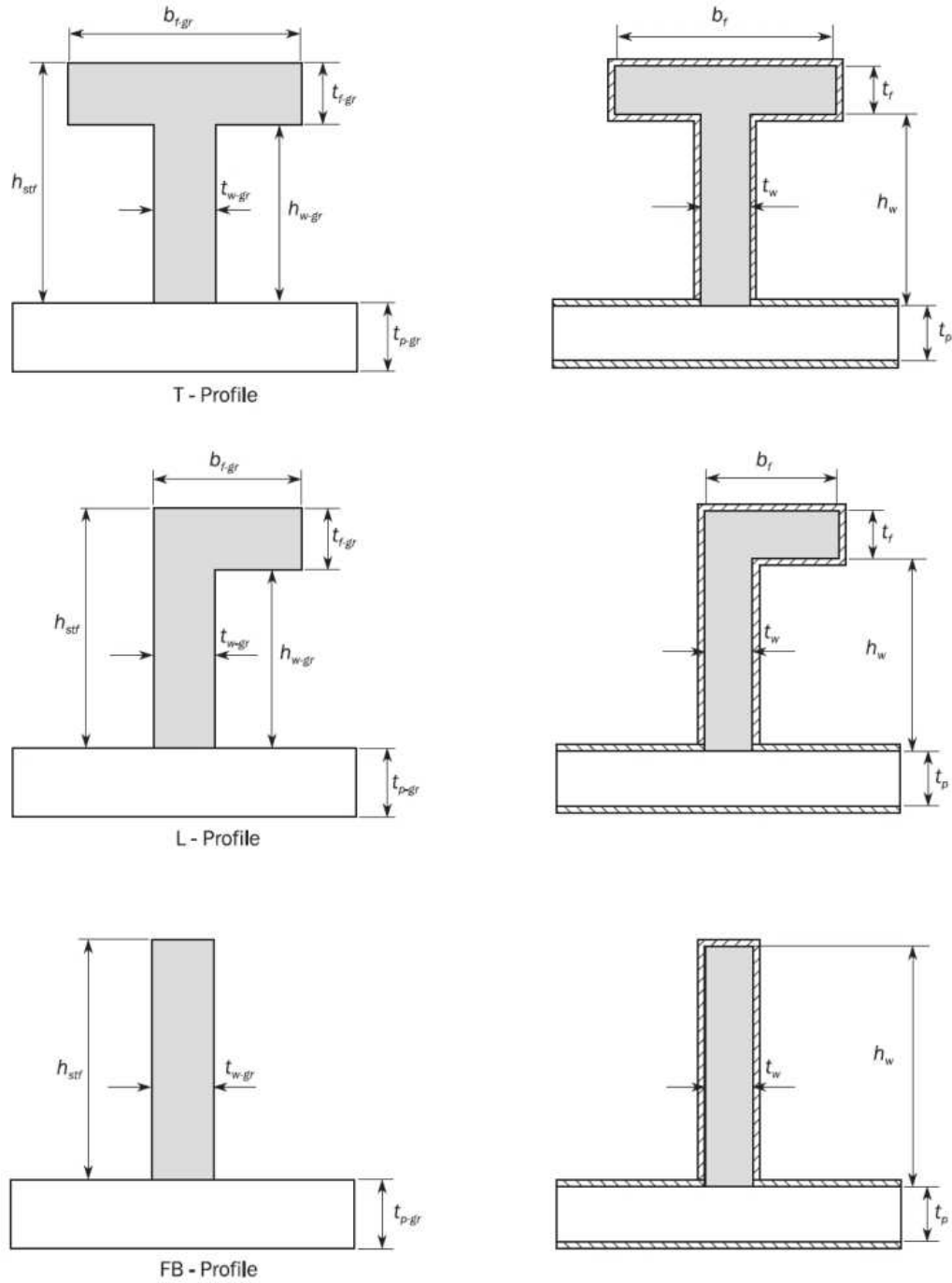


Figure 2 : Net sectional properties of local supporting members (T, L and FB-profile)

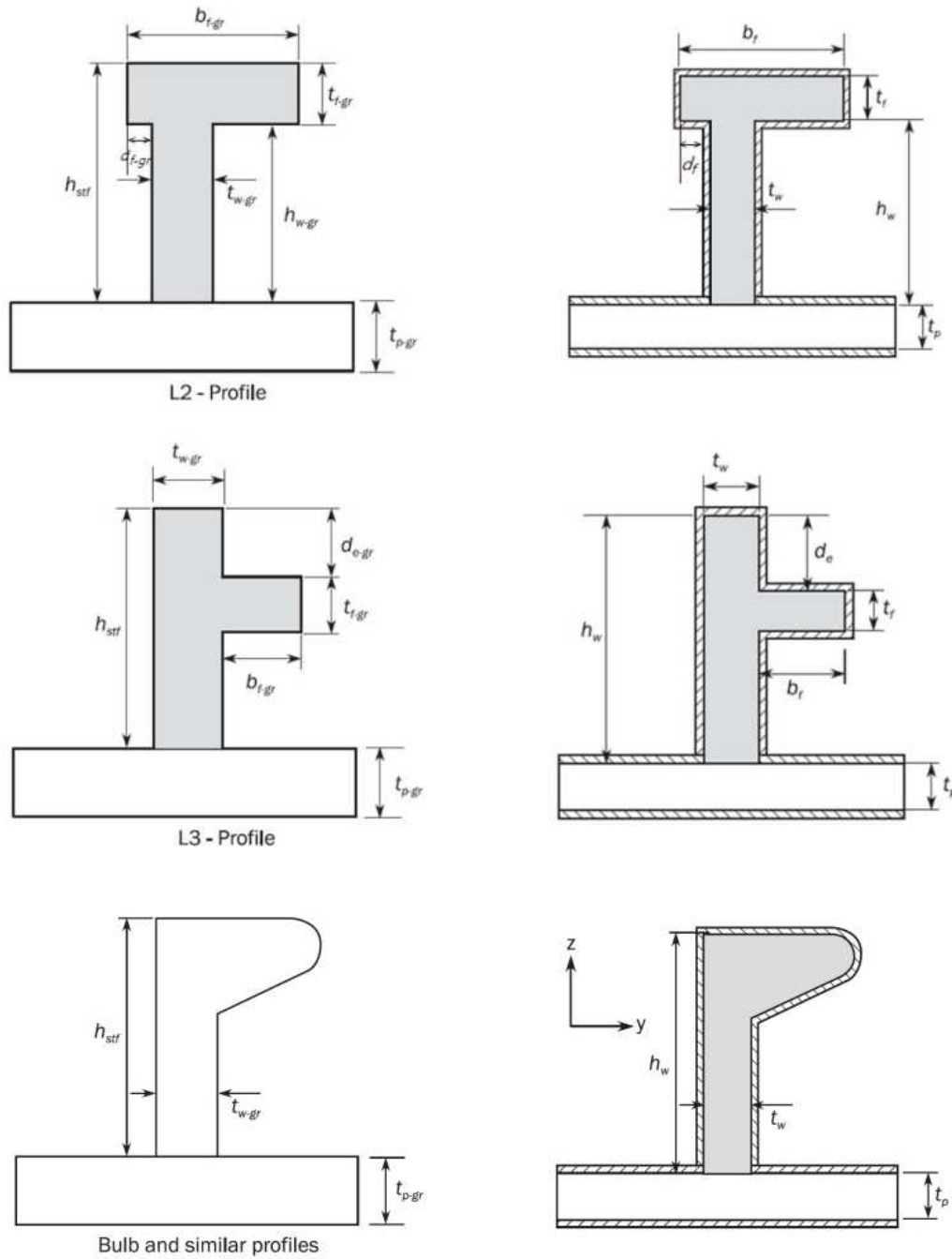


Figure 3 : Net sectional properties of local supporting members (L2, L3 and Bulb-Profile)

The net cross-sectional area, the moment of inertia about the y -axis and the associated neutral axis position are to be determined applying a corrosion magnitude of $0.5 t_c$ deducted from the surface of the profile cross-section.

Section 3 – Corrosion Additions

Symbols

- t_c : Corrosion addition, in mm.
 t_{c1}, t_{c2} : Corrosion addition, in mm, on one side of the considered structural member, as defined in **Table 1**.
 t_{res} : Reserve thickness, taken as 0.5 mm.

1. General

1.1 Applicability

1.1.1

The corrosion additions given in these Rules are applicable to carbon-manganese steels, stainless steels, stainless clad steels and aluminium alloys. Corrosion addition for the exposed carbon steel side of stainless clad structure is to be as required in **Table 1** for the corresponding compartment.

The corrosion additions for other materials are to be in accordance with the requirements of the Society.

1.2 Corrosion addition determination

1.2.1

The corrosion addition for each of the two sides of a structural member, t_{c1} or t_{c2} , is specified in **Table 1**.

The total corrosion addition, t_c , in mm, for both sides of the structural member is obtained by the following formula:

$$t_c = t_{c1} + t_{c2} + t_{res}$$

For an internal member within a given compartment, the total corrosion addition, t_c is obtained from the following formula:

$$t_c = 2t_{c1} + t_{res}$$

where t_{c1} is the value specified in **Table 1** for one side exposure to that compartment.

The total corrosion addition, t_c , in mm, for compartment boundaries and internal members made from stainless steel, or aluminium is to be taken as:

$$t_c = t_{res} = 0.5$$

In case of stainless clad steel, the corrosion additions, t_{c1} , for the carbon steel side and t_{c2} , for the stainless steel side are respectively to be taken as:

- a) t_{c1} as specified for the corresponding compartment in **Table 1**
- b) $t_{c2} = 0$

1.2.2 Stiffener

The corrosion addition of a stiffener is determined according to the location of its connection to the attached plating.

1.2.3

When a local structural member/plate is affected by more than one value of corrosion addition, the most onerous value is to be applied to the entire strake.

1.2.4 Corrosion addition limit

Considering the renewal criteria specified in **Ch 13, Sec 2**, the corrosion addition is to satisfy the following

condition:

$$t_c \leq t_{gr.off} \times 0.2 \text{ with nearest half millimetre}$$

Table 1: Corrosion addition for one side of a structural member

| Compartment type | t_{c1} or t_{c2} |
|---|----------------------|
| Ballast water tank, bilge tank, drain storage tank, chain locker ⁽¹⁾ | 1.0 |
| Exposed to atmosphere/sea water | 0.5 |
| Fuel oil and lube oil tank | 0.5 |
| Fresh water tank | 0.0 |
| Void spaces and dry spaces ⁽²⁾⁽³⁾ | 0.0 |
| Spaces protected by cargo containment system | 0.0 |
| Accommodation spaces | 0.0 |
| Compartments other than those mentioned above | 0.5 |
| ⁽¹⁾ 1.0 mm is to be added to the plate surface within 3 m above the upper surface of the chain locker bottom. ⁽²⁾ For the determination of the corrosion addition of the outer shell plating, the pipe tunnel is considered as for a ballast water tank. ⁽³⁾ For bottom plate of compartment, t_{c1} or t_{c2} is to be taken equal to 0.5 mm. | |

Section 4 – Corrosion Protection

1. General

1.1 Structures to be protected

1.1.1 Dedicated seawater ballast tanks

All dedicated seawater ballast tanks are to have an efficient corrosion prevention system.

1.1.2 Narrow spaces

Narrow spaces are generally to be filled by an efficient protective product, particularly at the ends of the ship where inspections and maintenance are not easily practicable due to their inaccessibility.

1.2 Corrosion protection coating

1.2.1

All sea water ballast spaces having boundaries formed by the hull envelope are to have an effective corrosion protection coating in accordance with the manufacturer's requirements.

1.2.2

Corrosion protection coating for dedicated sea water ballast tanks are to be in accordance with the requirements as specially prepared by the Society.

1.2.3

The bilges and the double bottoms in the boiler spaces are to be efficiently protected by Portland cement or other equivalent materials which cover the plates and frames as far as the upper turn of bilge. However, cement protection may be dispensed with in the bottom of the space solely used for carriage of oil.

2. Sacrificial anodes

2.1 Attachment of anodes to the hull

2.1.1

All anodes are to be attached to the structure in such a way that they remain securely fastened both initially and during service even when it is wasted. The following methods are acceptable:

- a) Steel core connected to the structure by continuous fillet welds.
- b) Attachment to separate supports by bolting, provided a minimum of two bolts with lock nuts are used. However, other mechanical means of clamping may be accepted.

2.1.2

Anodes are to be attached to stiffeners or aligned in way of stiffeners on plane bulkhead plating, but they are not to be attached to the shell. The two ends are not to be attached to separate members which are capable of relative movement.

2.1.3

Where cores or supports are welded to local support members or primary supporting members, they are to be kept clear of end supports, toes of brackets and similar stress raisers. Where they are welded to asymmetrical members, the welding is to be at least 25 mm away from the edge of the web. In the case of stiffeners or girders with symmetrical face plates, the connection may be made to the web or to

the centreline of the face plate, but well clear of the free edges. Generally, anodes are not to be fitted to a face plate of higher strength steel.

Section 5 – Limit States

1. General

1.1 Limit states

1.1.1 Definition

A limit state is defined as a state beyond which the structure no longer satisfies the requirements. The following categories of limit states are relevant for structures:

- a) Serviceability limit state (SLS), which corresponds to conditions beyond which specified requirements are no longer met.
- b) Ultimate limit state (ULS), which corresponds to the maximum load carrying-capacity or, in some cases, to the maximum applicable strain or deformation, under intact (undamaged) conditions.
- c) Fatigue limit state (FLS), which corresponds to degradation due to effect of time varying (cyclic) loading.
- d) Accidental limit state (ALS), which concerns the ability of the structure to resist accident situations.

1.1.2 Serviceability limit state

Serviceability limit state, which concerns the normal use, includes:

- a) Local damage which may reduce the working life of the structure or affect the efficiency or appearance of structural members or non-structural elements.
- b) Unacceptable deformations which affect the efficient use and appearance of structural or non-structural elements or the functioning of safety equipment.

In the context of serviceability limit state, the term 'appearance' is concerned with such criteria as high deflection and extensive cracking, rather than aesthetics.

1.1.3 Ultimate limit state

Ultimate limit state, which corresponds to the maximum load-carrying capacity, or in some cases, the maximum applicable strain or deformation, includes:

- a) Attainment of the maximum resistance capacity of sections, members or connections by rupture or excessive deformations or instability (buckling).
- b) Excessive yielding, transforming the structure or part of it into a plastic mechanism.

1.1.4 Fatigue limit state

Fatigue limit states assess that the fatigue capacity of structural members under accumulated cyclic loading is greater than the design fatigue life.

1.1.5 Accidental limit state

Accidental limit states are concerned with the ability of the structure to resist accident situations or abnormal events. As described in **Pt 7, Ch 5**, this limit states are concerned with the collision loads imposed on a cargo containment system and its supporting structure in intact (undamaged) conditions as follows:

- 0.5g in the forward direction in fully loaded condition.
- 0.25g in the aft direction in fully loaded condition.

where, "g" is gravitational acceleration.

1.2 Failure modes

1.2.1

A number of possible failure modes may be relevant for the various parts of the ship structure. For each

failure mode, one or more limit states may be relevant. The failure modes to be considered for the assessment of ship structural safety with relation to the limit states are shown in **Table 1**.

Table 1 : Failure modes in relation to the limit states to be considered

| Possible failure modes to be considered | Limit states ⁽¹⁾ | | | |
|--|-----------------------------|-----|-----|-----|
| | SLS | ULS | FLS | ALS |
| Yielding | Y | Y | – | Y |
| Plastic collapse | – | Y | – | Y |
| Buckling | Y | Y | – | – |
| Rupture | – | Y | – | Y |
| Fatigue cracking | – | – | Y | – |
| Brittle fracture ⁽²⁾ | – | – | – | – |

⁽¹⁾ "Y" indicates that the structural assessment is to be carried out.
⁽²⁾ Controlled by the material rule requirement of steel grade

1.2.2 Yielding

The yielding failure mode is the mode in which plastic strain locally occurs in the structural members to be considered under combined in-plane and normal stresses. Local plastic strain is controlled in SLS, ULS and ALS by checking that the stresses caused in the structural members remains below a permissible value.

1.2.3 Plastic collapse

The plastic collapse failure mode usually appears in the local structural members under large lateral impact pressure. In this failure mode, permanent lateral deflection in the local structural members occurs, but does not influence the global strength. This mode is controlled in ULS and ALS by using conventional plastic design method.

1.2.4 Buckling

The buckling failure mode is the instability phenomena of structural members under compressive loads. When the stress in structural members just attains the elastic buckling stress, elastic (reversible) buckling occurs during the compressive load. This buckling failure mode is controlled in SLS. By further increasing the compressive load, stress redistribution occurs due to buckling of the weakest structural member and the stress in some structural members reaches the yield stress. This buckling failure mode with large elastic deflection is controlled in ULS. When compression is unloaded, no consequence of failure due to buckling is seen. On the other hand, plastic (irreversible) buckling occurs when the stress in structural members exceeds the yield stress. As a result, the substantial permanent deflections due to plastic buckling appear. This irreversible buckling failure mode is controlled only in ULS for global hull girder strength.

1.2.5 Rupture

The rupture failure mode is the mode in which breaking occurs in the structural members to be considered under large tensile stress beyond the yield stress of the material. This failure mode is controlled in ULS or ALS, but the assessment of this failure mode is covered by controlling the yielding failure.

1.2.6 Brittle fracture

Brittle fracture is dependent upon the material, temperature and thickness. Therefore, this mode is controlled by the material rule requirement of steel grade.

1.2.7 Fatigue cracking

This failure mode is different from the failure modes mentioned above and is controlled in FLS.

2. Criteria

2.1 General

2.1.1

Criteria are prescribed in the Rules to check the relevant limit states for the various structural elements. The strength assessments included in the Rules are defined in terms of yield check, buckling check, ultimate strength check, and fatigue check as indicated in **Table 2**.

Table 2 : Structural assessment

| Structural Elements ⁽¹⁾ | | Yielding check | Buckling check | Ultimate strength check | Fatigue check |
|---|------------|----------------|------------------|-------------------------|---------------|
| Local Structures | Stiffeners | Y | Y | Y ⁽²⁾ | Y |
| | Plating | Y | Y | Y ⁽³⁾ | – |
| Primary supporting members | | Y | Y | Y ⁽²⁾ | Y |
| Hull girder | | Y | Y ⁽⁴⁾ | – | – |
| (1) “Y” indicates that the structural assessment is to be carried out. (2) The ultimate strength check is included in the buckling check. (3) The ultimate strength check of plating is included in the yielding check formula of plating. (4) The buckling check of stiffeners and plating taking part in hull girder strength is performed against stress due to hull girder bending moment and hull girder shear force. | | | | | |

2.2 Serviceability limit states

2.2.1 Hull girder

For the yielding check of the hull girder, the stress corresponds to a load at 10^{-8} probability level.

2.2.2 Plating

For the yielding check and buckling check of platings constituting a primary supporting member, the stress corresponds to a load at 10^{-8} probability level.

2.2.3 Stiffeners

For the yielding check of stiffeners, the stress corresponds to a load at 10^{-8} probability level.

2.3 Ultimate limit states

2.3.1 Plating

The ultimate strength of the plating between stiffeners and primary supporting members is to be checked against the loads at 10^{-8} probability level.

2.3.2 Stiffeners

The ultimate strength of stiffeners is to be checked against the loads at 10^{-8} probability level.

2.4 Fatigue limit state

2.4.1 Structural details

The fatigue life of representative welded structural details such as connections of stiffeners and primary supporting members is to be assessed from long term distribution loads based on loads at 10^{-2} probability level.

2.5 Accidental limit state

2.5.1 Bulkhead structure

The fore and aft cofferdam transverse bulkheads in cargo tank boundary, are to be assessed for regarding bow/stern collision loads in accordance with **Ch 6** and **Ch 7** for yielding criteria.

2.5.2 Plating, stiffeners and PSM

The plating, stiffeners and PSM in way of internal watertight subdivision not carrying liquid are to be assessed in flooded condition in accordance with **Ch 6** for yielding criteria and with **Ch 8, Sec 3** for buckling criteria.

3. Strength check against impact loads

3.1 General

3.1.1

Structural response against impact loads such as forward bottom slamming, bow impact depends on the loaded area, magnitude of loads and structural grillage.

3.1.2

The ultimate strength of structural members that constitute the grillage, i.e. platings between stiffeners and primary supporting members and stiffeners with attached plating, is to be checked against the maximum impact loads acting on them.

Section 6 – Structural Detail Principles

Symbols

For symbols not defined in this section, refer to **Ch 1, Sec 4**.

1. Application

1.1 General

1.1.1

If not specified otherwise, the requirements of this section apply to the hull structure except superstructures and deckhouses.

2. General principles

2.1 Structural continuity

2.1.1 General

Attention is to be paid to the structural continuity, in particular in the following areas:

- a) In way of changes in the framing system.
- b) At end connections of primary supporting members or ordinary stiffeners.
- c) In way of the transition zones between cargo hold region and fore part, aft part and machinery space.
- d) In way of side and end bulkheads of superstructures.

At the termination of a structural member, structural continuity is to be maintained by the fitting of suitable supporting structure. Abrupt changes in transverse section properties of longitudinal members are to be avoided. Where the machinery space is situated aft, the inner hull is to extend as far abaft as possible and be tapered at the ends.

2.1.2 Longitudinal members

Longitudinal members are to be arranged in such a way that continuity of strength is maintained. Longitudinal members contributing to the hull girder longitudinal strength are to extend continuously as far as practicable towards the ends of the ship.

In particular, the structural continuity in way of longitudinal bulkheads within the cargo hold region, is to be maintained outside the cargo hold region. Large transition brackets (e.g. scarfing brackets) fitted in line with the longitudinal bulkhead are a possible means to achieve such structural continuity.

2.1.3 Primary supporting members

Primary supporting members are to be arranged in such a way that continuity of strength is maintained. Abrupt changes of web height or cross section are to be avoided.

2.1.4 Stiffeners

Stiffeners are to be arranged in such a way that continuity of strength is maintained. Stiffeners contributing to the hull girder longitudinal strength are to be continuous when crossing primary supporting members within the $0.4L$ amidships and as far as practicable outside $0.4L$ amidships.

Where stiffeners are terminated in way of large openings, foundations and partial girders, compensation is to be arranged to provide structural continuity in way of the end connection.

2.1.5 Plating

Where plates with different thicknesses are joined, the change in the as-built plate thickness is not to exceed 50% of the larger plate thickness in the load carrying direction. This also applies to strengthening by local inserts, e.g. insert plates in double bottom girders, floors and inner bottom.

2.1.6 Weld joints

Weld joints are to be avoided in areas with high stress concentration.

2.2 Local reinforcements

2.2.1 Reinforcements at knuckles

- Knuckles are in general to be stiffened to achieve out-of-plane stiffness by fitting ordinary stiffeners or equivalent means in line with the knuckle.
- Whenever a knuckle in a main member (shell, longitudinal bulkhead etc) is arranged, stiffening in the form of webs, brackets or profiles is to be connected to the members to which they are to transfer the load (in shear). See example of reinforcement at upper hopper knuckle in **Figure 1**.
- For longitudinal shallow knuckles, closely spaced carlings are to be fitted across the knuckle, between longitudinal members above and below the knuckle. Carlings or other types of reinforcement need not be fitted in way of shallow knuckles that are not subject to high lateral loads and/or high in-plane loads across the knuckle, such as deck camber knuckles.
- Generally, the distance between the knuckle and the support stiffening in line with the knuckle is not to be greater than 50 mm. Otherwise, fatigue analysis according to **Ch 9** is to be submitted by the designer.

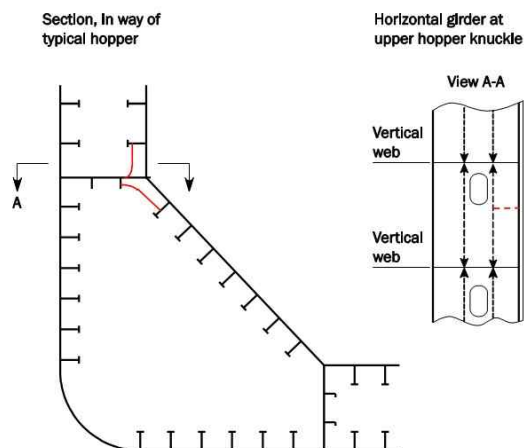


Figure 1 : Example of reinforcement at knuckles

2.2.2 Reinforcement in way of attachments for providing means of access permanently

Local reinforcement, considering location and strength, is to be provided in way of attachments to the hull structure when the means for access is provided permanently.

2.2.3 Reinforcement of deck structure in way of concentrated loads

The deck structure is to be reinforced in way of concentrated loads, such as anchor windlass, deck machinery, cranes, masts and derrick posts.

2.2.4 Reinforcement by insert plates

Insert plates are to be made of materials with, at least, the same specified minimum yield stress and the same grade as the plates to which they are welded. See also [2.1.5].

2.3 Connection of longitudinal members not contributing to the hull girder longitudinal strength

2.3.1

Where the hull girder stress at the strength deck and trunk deck or at the bottom as defined in **Ch 5, Sec 1, [2.1.2]** is higher than the permissible stress as defined in **Ch 5, Sec 1, [2.2.1]** for normal strength steel, longitudinal members not contributing to the hull girder longitudinal strength and welded to the strength deck or bottom plating and bilge strake, such as gutter bars, strengthening of deck openings, bilge keel, are to be made of steel with the same specified minimum yield stress as the strength deck or bottom structure steel.

2.3.2

Non-continuous longitudinal stiffeners welded on the web of a primary structural member contributing to the hull girder longitudinal strength such as stringers and girders or on the inner bottom and trunk deck are to be made of steel with the same specified minimum yield stress as attached plate when the hull girder stress on those members is higher than the permissible stress as defined in **Ch 5, Sec 1, [2.2.1]** for normal strength steel.

3. Stiffeners

3.1 General

3.1.1

All types of stiffeners (excluding web stiffeners) are to be connected at their ends. However, in special cases such as isolated areas of the ship where end connections cannot be applied, sniped ends may be permitted. Requirements for the various types of connections (bracketed, bracketless or sniped ends) are given in **[3.2]** to **[3.4]**.

3.1.2

Where the angle between the web plate of the stiffener and the attached plating is less than 50 deg, as shown on **Figure 2**, a tripping bracket is to be fitted. If the angle between the web plate of an unsymmetrical stiffener and the attached plating is less than 50 deg, the face plate of the stiffener is to be fitted on the side of the open angle.

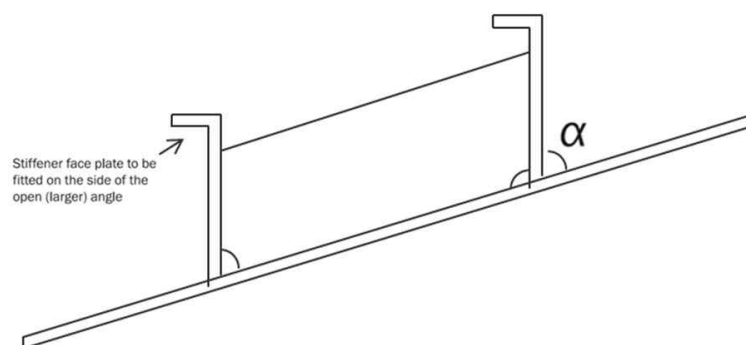


Figure 2 : Stiffener on attached plating with an angle less than 50°

3.2 Bracketed end connections of non-continuous stiffeners

3.2.1

Where continuity of strength of longitudinal members is provided by brackets, the alignment of the

brackets on each side of the primary supporting member is to be ensured, and the scantlings of the brackets are to be such that the combined stiffener/bracket section modulus and effective cross sectional area are not less than those of the member.

3.2.2

At bracketed end connections, continuity of strength is to be maintained at the stiffener connection to the bracket and at the connection of the bracket to the supporting member.

3.2.3

The arrangement of the connection between the stiffener and the bracket is to be such that at no point in the connection, is the section modulus to be less than that required for the stiffener.

3.2.4 Net web thickness

The net bracket web thickness, t_b , in mm, is to comply with the following:

$$t_b \geq (2 + f_{bkt}\sqrt{Z})\sqrt{\frac{R_{eH-stf}}{R_{eH-bkt}}} \quad \text{and need not be greater than 13.5 mm.}$$

where:

f_{bkt} : Coefficient taken as:

- $f_{bkt} = 0.2$ for brackets with flange or edge stiffener.
- $f_{bkt} = 0.3$ for brackets without flange or edge stiffener.

Z : Net required section modulus, of the stiffener, in cm^3 . In the case of two stiffeners connected, Z is the smallest net required section modulus of the two connected stiffeners.

R_{eH-stf} : Specified minimum yield stress of the stiffener material, in N/mm^2 .

R_{eH-bkt} : Specified minimum yield stress of the bracket material, in N/mm^2 .

3.2.5 Brackets at the ends of non-continuous stiffeners

Brackets at the ends of non-continuous stiffeners Brackets are to be fitted at the ends of non-continuous stiffeners, with arm lengths, l_{bkt} , in mm, taken as:

$$l_{bkt} = C_{bkt}\sqrt{\frac{Z}{t_b}}$$

l_{bkt} is not to be taken less than:

- $l_{bkt} = 1.8 h_{stf}$ for connections where the end of the stiffener web is supported and the bracket is welded in line with the stiffener web or with offset necessary to enable welding, see item (c) in **Figure 3**.
- $l_{bkt} = 2.0 h_{stf}$ for other cases, see items (a), (b) and (d) in **Figure 3**.

where:

C_{bkt} : Coefficient taken as:

- $C_{bkt} = 65$ for brackets with flange or edge stiffener.
- $C_{bkt} = 70$ for brackets without flange or edge stiffener.

Z : Net required section modulus, for the stiffener, in cm^3 , as defined in **[3.2.4]**.

t_b : Minimum net bracket thickness, in mm, as defined in **[3.2.4]**.

For connections similar to item (b) in **Figure 3**, but not lapped, the bracket arm length is to comply with $l_{bkt} \geq h_{stf}$.

For connections similar to items (c) and (d) in **Figure 3** where the smaller stiffener is connected to a primary supporting member or bulkhead, the bracket arm length is not to be less than two times of h_{stf} .

3.2.6 Brackets with different arm lengths

The lengths of the arms, measured from the plating to the toe of the bracket, are to be such that the sum of them is greater than $2\ell_{bkt}$ and each arm not to be less than $0.8\ell_{bkt}$, where ℓ_{bkt} is as defined in [3.2.5].

3.2.7 Edge stiffening of bracket

Where an edge stiffener is required, the web height of the edge stiffener, h_w , in mm, is not to be less than:

$$h_w = 45 \left(1 + \frac{Z}{2000} \right) \quad \text{but not less than 50 mm.}$$

where:

Z : Net section modulus, of the stiffener, in cm^3 , as defined in [3.2.4].

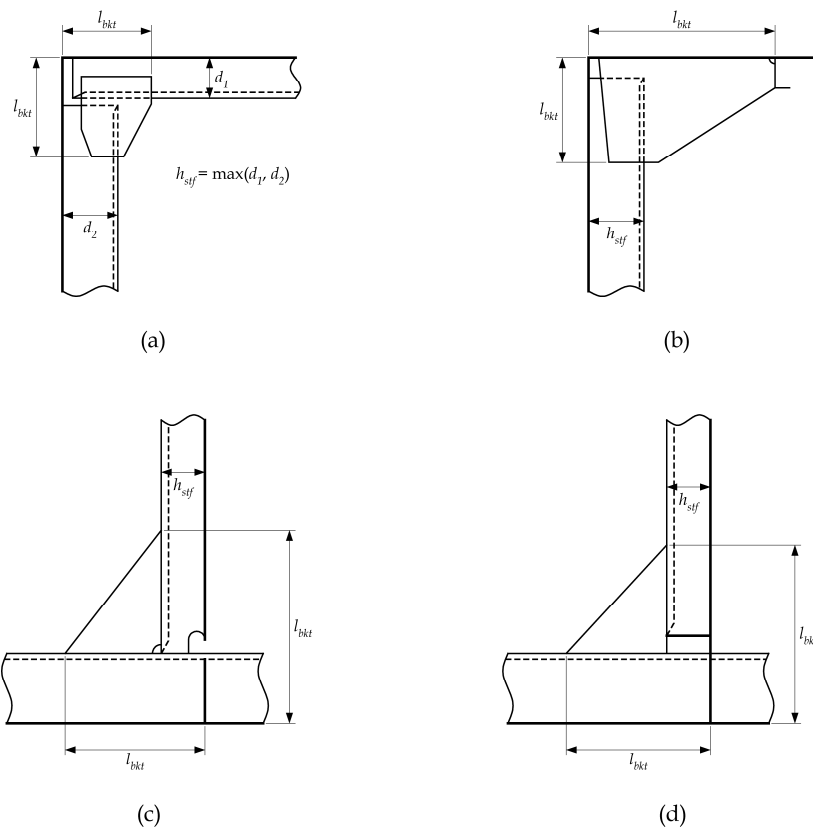


Figure 3 : Bracket arm length of non-continuous stiffeners

3.3 Bracketless connections

3.3.1

The design of bracketless connections is to be such as to provide adequate resistance to rotation and displacement of the connection.

3.4 Sniped ends

3.4.1

Sniped ends may be used where dynamic loads are small, provided the net thickness of plating supported by the stiffener, t_p , in mm, is not less than:

$$t_p = c_1 \sqrt{\left(1000l - \frac{s}{2}\right) \frac{sPk}{10^6}}$$

where:

- P : Design pressure for the stiffener for the design load set being considered (including pressure by IGC code, P_{IGC} in case of cargo tank support structures), in kN/m^2 .
- c_1 : Coefficient for the design load set being considered, to be taken as:
- $c_1 = 1.2$ for acceptance criteria set AC-S.
 - $c_1 = 1.1$ for acceptance criteria set AC-SD, AC-T and AC-A.

In general, sniped stiffeners are not to be used on structures at the following locations: (2023)

- In the vicinity of engines and generators in the machinery space
- Propeller impulse zone in the stern area
- On the shell envelope under impact pressure
- in way of temporary side opening structure in double side for cargo containment installation and maintenance purpose.

3.4.2

Bracket toes and sniped stiffeners ends are to be terminated close to the adjacent member. The distance is not to exceed 40 mm unless the bracket or member is supported by another member on the opposite side of the plating. Tapering of the sniped end is not to be more than 30 deg. The depth of toe or sniped end is, generally, not to exceed the thickness of the bracket toe or sniped end member, but need not be less than 15 mm.

4. Primary support members

4.1 General

4.1.1

Primary supporting members web stiffeners, tripping brackets and end brackets are to comply with [4.2] to [4.4]. Where the structural arrangement is such that these requirements cannot be complied with, adequate alternative arrangement has to be demonstrated by the designer.

4.2 Web stiffening arrangement

4.2.1

Primary supporting members web stiffeners are to be arranged in such a way that they ensure adequate strength.

4.3 Tripping bracket arrangement

4.3.1

Tripping brackets (see **Figure 4**) are generally to be fitted:

- a) At positions along the member span with an interval of spacing such that it satisfied the criteria of **Ch 8, Sec 2, [5.1]** without exceeding 4 m.
- b) At the toe of end brackets.
- c) At ends of continuous curved face plates.
- d) In way of concentrated loads.
- e) Near the change of section.

4.3.2

Where the width of the symmetrical face plate is greater than 400 mm, backing brackets are to be fitted in way of the tripping brackets.

4.3.3

Where the face plate of the primary supporting member exceeds 180 mm on either side of the web, a tripping bracket is to support the face plate.

4.3.4 Arm length

The arm length of tripping brackets is not to be less than the greater of the following values, in m:

- a) $d = 0.38 b$
- b) $d = 0.85b \sqrt{\frac{s_t}{t}}$

where:

- b : Height, in m, of tripping brackets, shown in **Figure 4**.
- s_t : Spacing, in m, of tripping brackets.
- t : Net thickness, in mm, of tripping brackets.

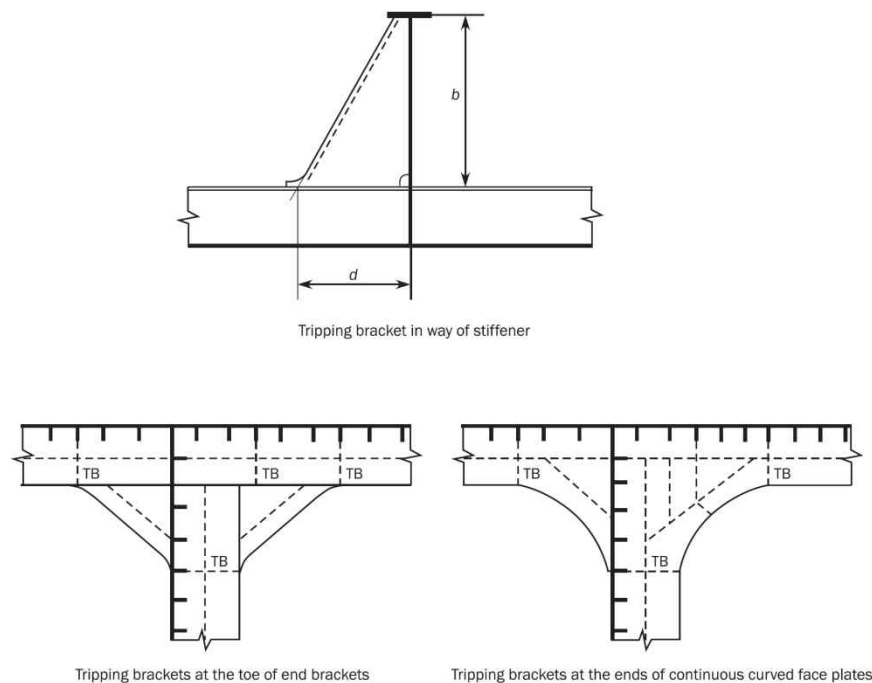


Figure 4 : Primary supporting member: Tripping bracket arrangement

4.4 End connections

4.4.1 General

Brackets or equivalent structure are to be provided at ends of primary supporting members. End brackets are generally to be soft-toed. Bracketless connections may be applied provided that there is adequate support of adjoining face plates.

4.4.2 Scantling of end brackets

In general, the arm length of brackets connecting PSMs, as shown in **Figure 5**, is not to be less than the

web depth of the member and need not be taken greater than 1.5 times this web depth. The bracket thickness is, in general, not to be less than that of the adjoining PSM web plate.

The scantling of the end brackets is to be such that the section modulus of the primary supporting member with end bracket, excluding face plate where it is sniped, is not less than that of the primary supporting member at mid-span. The net cross-sectional area A_f , in cm^2 , of the bracket face plates is to be such that:

$$A_f = \ell_b t_b$$

where:

ℓ_b : Length of the bracket edge, in m, see **Figure 5**. For curved brackets, the length of the bracket edge may be taken as the length of the tangent at the midpoint of the edge.

t_b : Minimum net bracket web thickness, in mm, as defined in **[3.2.4]**.

Moreover, the net thickness of the face plate is to be not less than that of the bracket web.

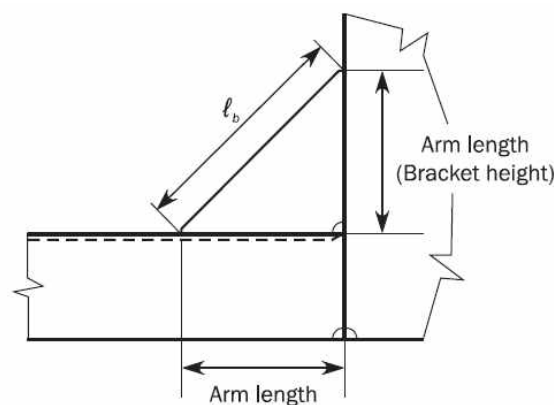


Figure 5: Dimension of brackets

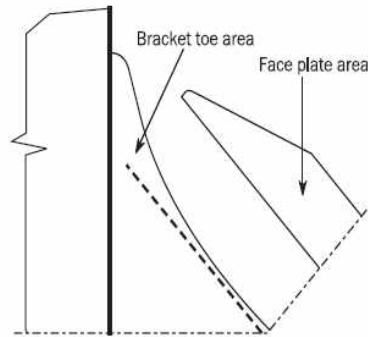
4.4.3 Arrangement of end brackets

Where the length of free edge of bracket, ℓ_b , is greater than 1.5 m, the web of the bracket is to be stiffened as follows:

- The net sectional area, in cm^2 , of web stiffeners is to be not less than 16.5ℓ , where ℓ is the span, in m, of the stiffener.
- Tripping flat bars are to be fitted. Where the width of the symmetrical face plate is greater than 400 mm, additional backing brackets are to be fitted.

For a ring system where the end bracket is integral with the webs of the members and the face plate is carried continuously along the edges of the members and the bracket, the full area of the largest face plate is to be maintained close to the mid-point of the bracket and gradually tapered to the smaller face plates. Butts in face plates are to be kept well clear of the bracket toes. Where a wide face plate abuts a narrower one, the taper is not to be greater than 1 to 4.

The toes of brackets are not to land on unstiffened plating. The toe height is not to be greater than the thickness of the bracket toe, but need not be less than 15 mm. In general, the end brackets of primary supporting members are to be soft-toed. Where primary supporting members are constructed of higher strength steel, particular attention is to be paid to the design of the end bracket toes in order to minimise stress concentrations. Where a face plate is welded onto the edge or welded adjacent to the edge of the end bracket (see **Figure 6**), the face plate is to be sniped and tapered at an angle not greater than 30° .



The details shown in this figure are only used to illustrate items described in the text and are not intended to represent design guidance or recommendations.

Figure 6: Bracket face plate adjacent to the edge

5. Intersection of stiffeners and primary supporting members

5.1 Cut-outs

5.1.1

Cut-outs for the passage of stiffeners through the web of primary supporting members, and the related collaring arrangements, are to be designed to minimise stress concentrations around the perimeter of the opening and on the attached web stiffeners.

5.1.2

The total depth of cut-outs without collar plate is to be not greater than 50% of the depth of the primary supporting member.

5.1.3

Cut-outs in high stress areas are to be fitted with full collar plates, see **Figure 7**.

$R \geq 0.2b$ but not less than 25 mm.

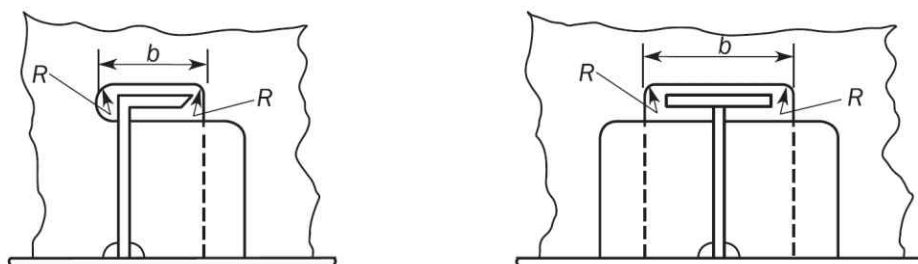


Figure 7: Full collar plates

5.1.4

Lug type collar plates are to be fitted in cut-outs where required for compliance with the requirements of [5.2], and in areas of high stress concentrations, e.g. in way of primary supporting member toes. See **Figure 8** for typical lug arrangements.

5.1.5

At connection to shell envelope longitudinals below the scantling draught, T_{SC} and at connection to inner

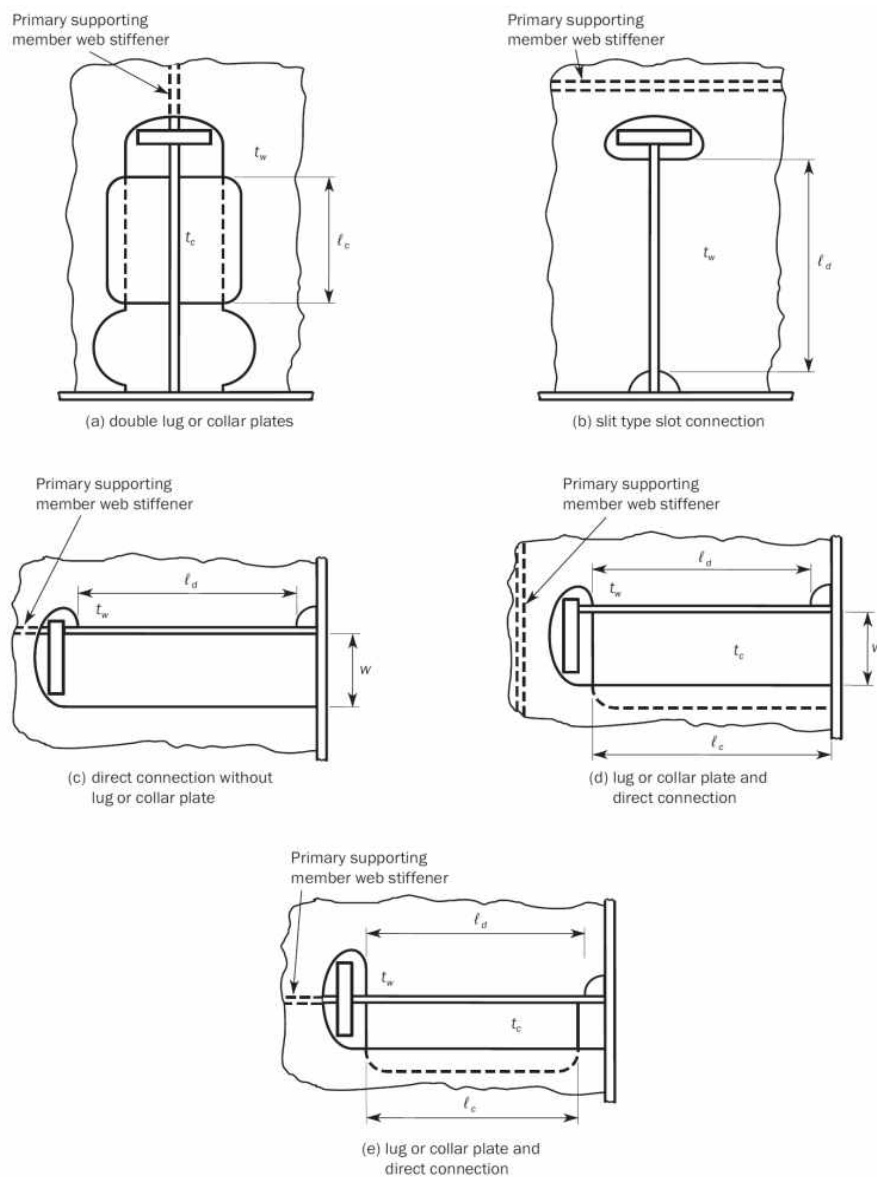
bottom longitudinals, a soft heel is to be provided in way of the heel of the primary supporting member web stiffener when the calculated direct stress, σ_w , in the primary supporting member web stiffener according to [5.2] exceeds 80% of the permissible values. The soft heel is to have a keyhole, similar to that shown in item (c) in Figure 9.

This is not applicable for design pressure defined in Ch 4, Sec 5, [3.2] and [3.3].

5.1.6

Cut-outs are to have rounded corners and the corner radii, R, are to be as large as practicable, with a minimum of 20% of the breadth, b, of the cut-out or 25 mm, whichever is greater. The corner radii, R, does not need to be greater than 50 mm, see Figure 7. Consideration is to be given to other shapes on the basis of maintaining equivalent strength and minimising stress concentration.

Note 1: Except where specific dimensions are noted for the details of the keyhole in way of the soft heel, the details shown in this figure are only used to illustrate symbols and definitions and are not intended to represent design guidance or recommendations.



The details shown in this figure are only used to illustrate symbols and definitions and are not intended to represent design guidance.

Figure 8 : Symmetric and asymmetric cut-outs

- t_{ws}, t_{ws1}, t_{ws2} : Net thickness of the primary supporting member web stiffener/backing bracket, in mm.
- d_w, d_{w1}, d_{w2} : Minimum depth of the primary supporting member web stiffener/backing bracket, in mm.
- d_{wc}, d_{wc1}, d_{wc2} : Length of connection between the primary supporting member web stiffener/backing bracket and the stiffener, in mm.
- t_f : Net thickness of the flange in mm. For bulb profile, t_f is to be obtained as defined in **Ch.3 Sec.7 [1.4.1]**.

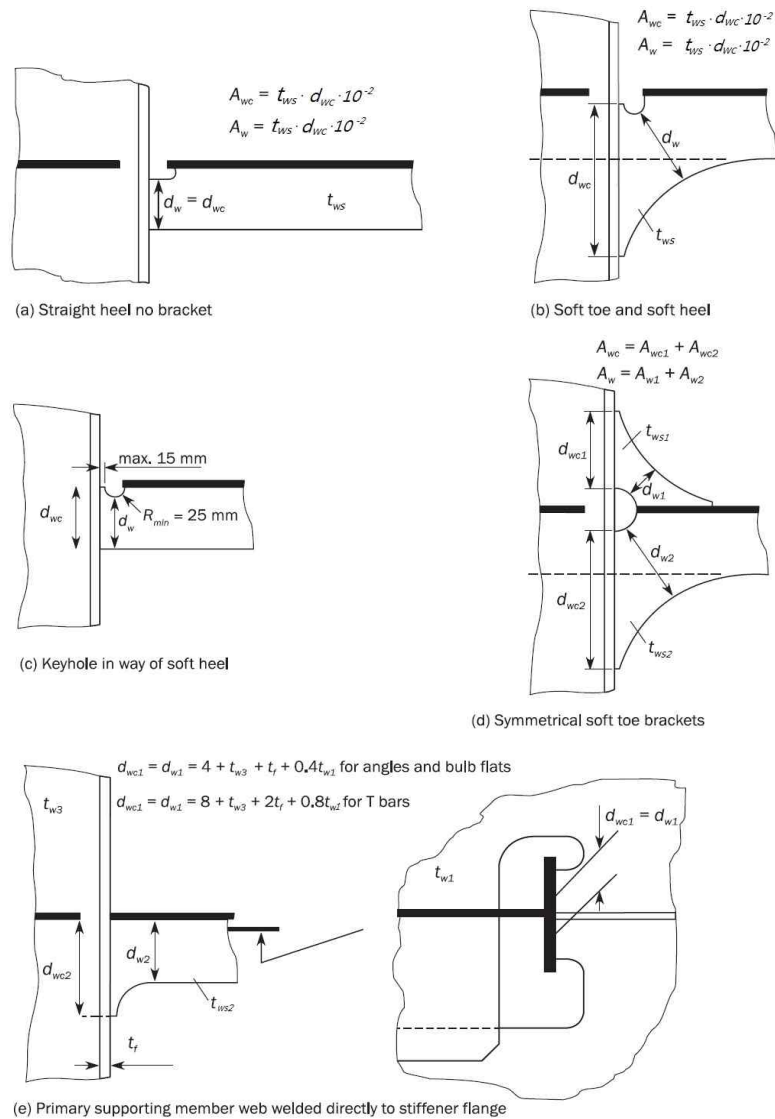


Figure 9 : Primary supporting member web stiffener details

5.2 Connection of stiffeners to PSM

5.2.1 General

For connection of stiffeners to PSM in case of lateral pressure, [5.2.2] and [5.2.3] are to be applied.

The cross sectional areas of the connections are to be determined from the proportion of load transmitted through each component in association with its appropriate permissible stress.

5.2.2

The load, W_1 , in kN, transmitted through the shear connection is to be taken as follows.

- a) If the web stiffener is connected to the intersecting stiffener:

$$W_1 = W \left(\alpha_a + \frac{A_1}{4f_c A_w + A_1} \right)$$

b) If the web stiffener is not connected to the intersecting stiffener:

$$W_1 = W$$

where:

W : Total load, in kN, transmitted through the stiffener connection to the PSM taken equal to:

$$W = \frac{P_1 s_1 \left(S_1 - \frac{s_1}{2000} \right) + P_2 s_2 \left(S_2 - \frac{s_2}{2000} \right)}{2 \sin \phi_{w1} \sin \phi_{w2}} 10^{-3}$$

P_1, P_2 : Design pressure applied on the stiffener for the design load set being considered (including pressure by IGC code, P_{IGC} in case of cargo tank support structures), in kN/m², on each side of the considered connection. For bottom slamming or bow impact loads, P_1 and P_2 are the design pressure as defined in **Ch 4, Sec 5, [3.2]** and **[3.3]** respectively. For bottom slamming, applied pressures need not exceed 70% of the design pressure. (2023)

S_1, S_2 : Spacing between the considered and the adjacent PSM on each side of the considered connection, in m.

s_1, s_2 : Spacing of the stiffener, in mm, on each side of the considered connection.

α_a : Panel aspect ratio, not to be taken greater than 0.25.

$$\alpha_a = \frac{s}{1000 S}$$

$$S = \frac{S_1 + S_2}{2}$$

$$s = \frac{s_1 + s_2}{2}$$

ϕ_{w1} : Angle between primary supporting member and attached plating, in deg, as defined in **Ch 3, Sec 7, Symbols** and **Ch 10, Sec 1, Figure 5**.

ϕ_{w2} : Angle between stiffener and attached plating, in deg, as defined in **Ch 3, Sec 7, Symbols** and **Ch 3, Sec 7, Figure 12**.

A_1 : Effective net shear area, in cm², of the connection, to be taken equal to:

$$A_1 = A_{1d} + A_{1c}$$

In case of a slit type slot connections area, A_1 , is given by:

$$A_1 = 2A_{1d}$$

In case of a typical double lug or collar plate connection area, A_1 , is given by:

$$A_1 = 2A_{1c}$$

A_{1d} : Net shear connection area, in cm², excluding lug or collar plate, as given by:

$$A_{1d} = \ell_d t_w 10^{-2}$$

ℓ_d : Length of direct connection between stiffener and PSM web, in mm.

t_w : Net web thickness of the primary supporting member, in mm.

A_{1c} : Net shear connection area, in cm², with lug or collar plate, given by:

$$A_{1c} = f_1 \ell_c t_c 10^{-2}$$

ℓ_c : Length of connection between lug or collar plate and PSM, in mm.

t_c : Net thickness of lug or collar plate, not to be taken greater than the net thickness of the

- adjacent PSM web, in mm.
- f_1 : Shear stiffness coefficient, taken as:
 $f_1 = 1.0$, for stiffeners of symmetrical cross section.
 $f_1 = 140/w$, not to be taken greater than 1.0, for stiffeners of asymmetrical cross section.
- w : Width of the cut-out for an asymmetrical stiffener, measured from the cut-out side of the stiffener web, in mm, as indicated in **Figure 8**.
- A_w : Effective net cross sectional area, in cm², of the PSM web stiffener in way of the connection including backing bracket where fitted, as shown in **Figure 9**. If the PSM web stiffener incorporates a soft heel ending or soft heel and soft toe ending, A_w is to be measured at the throat of the connection, as shown in **Figure 9**.
- f_c : Collar load factor taken equal to:
 For intersecting stiffeners of symmetrical cross section:
 $f_c = 1.85$ for $A_w \leq 14$
 $f_c = 1.85 - 0.0441(A_w - 14)$ for $14 < A_w \leq 31$
 $f_c = 1.1 - 0.013(A_w - 31)$ for $31 < A_w \leq 58$
 $f_c = 0.75$ for $A_w > 58$
 For intersecting stiffeners of asymmetrical cross section:
 $f_c = 0.68 + 0.0172 \frac{\ell_s}{A_w}$
- ℓ_s : Connection length equal to:
 For a single lug or collar plate connection to the PSM:
 $\ell_s = l_c$
 For a single sided direct connection to the PSM:
 $\ell_s = l_d$
 In the case of a lug or collar plus a direct connection:
 $\ell_s = 0.5(l_c + l_d)$

5.2.3

The load, W_2 , in kN, transmitted through the PSM web stiffener is to be taken as:

- If the web stiffener is connected to the intersecting stiffener:

$$W_2 = W \left(1 - \alpha_a - \frac{A_1}{4f_c A_w + A_1} \right)$$

- If the web stiffener is not connected to the intersecting stiffener:

$$W_2 = 0$$

The values of A_w , A_{wc} and A_1 are to be such that the calculated stresses satisfy the following criteria:

- For the connection to the PSM web stiffener not in way of the weld : $\sigma_w \leq \sigma_{perm}$
- For the connection to the PSM web stiffener in way of the weld : $\sigma_{wc} \leq \sigma_{perm}$
- For the shear connection to the PSM web : $\tau_w \leq \tau_{perm}$

where:

- W : Load, in kN, as defined in **[5.2.2]**.
- f_c : Collar load factor as defined in **[5.2.2]**.
- α_a : Panel aspect ratio, as defined in **[5.2.2]**.
- A_1 : Effective net shear area, in cm², as defined in **[5.2.2]**.

- A_w : Effective net cross sectional area, in cm^2 , as defined in [5.2.2].
- σ_w : Direct stress, in N/mm^2 , in the PSM web stiffener at the minimum bracket area away from the weld connection:
- $$\sigma_w = \frac{10 W_2}{A_w}$$
- σ_{wc} : Direct stress, in N/mm^2 , in the PSM web stiffener in way of the weld connection:
- $$\sigma_{wc} = \frac{10 W_2}{A_{wc}}$$
- τ_w : Shear stress, in N/mm^2 , in the shear connection to the PSM web:
- $$\tau_w = \frac{10 W_1}{A_1}$$
- A_{wc} : Effective net area, in cm^2 , of the PSM web stiffener in way of the weld as shown in Figure 9.
- σ_{perm} : Permissible direct stress given in Table 1 for AC-S, AC-SD, AC-T and AC-A, in N/mm^2 .
- τ_{perm} : Permissible shear stress given in Table 1 for AC-S, AC-SD, AC-T and AC-A in N/mm^2 .

Table 1 : Permissible stresses for connection between stiffeners and PSMs (2023)

| Item | Direct stress, σ_{perm} , in N/mm^2 | | | shear stress, τ_{perm} , in N/mm^2 | | |
|--|---|--------------------|----------------------|--|-----------------|----------------------|
| | Acceptance criteria set | | | Acceptance criteria set | | |
| | AC-S | AC-SD | AC-I AC-T AC-A | AC-S | AC-SD | AC-I AC-T AC-A |
| PSM web stiffener | $0.83R_{eH}^{(2)}$ | R_{eH} | R_{eH} | - | - | - |
| PSM web stiffener to intersecting stiffener in way of weld connection: • Double continuous fillet • Partial penetration weld | $0.58R_{eH}^{(2)}$ | $0.70R_{eH}^{(2)}$ | R_{eH} | - | - | - |
| | $0.83R_{eH}^{(1)}$ | $R_{eH}^{(1)}$ | R_{eH} | - | - | - |
| PSM stiffener to intersecting stiffener in way of lapped welding | $0.50R_{eH}$ | $0.60R_{eH}$ | R_{eH} | - | - | - |
| Shear connection including lugs or collar plates: • Single sided connection • Double sided connection | - | - | - | $0.71\tau_{eH}$ | $0.85\tau_{eH}$ | τ_{eH} |
| | - | - | - | $0.83\tau_{eH}$ | τ_{eH} | τ_{eH} |

(1) The root face is not to be greater than one third of the gross thickness of the PSM stiffener.
(2) Permissible stresses may be increased by 5 percent where a soft heel is provided in way of the heel of the PSM web stiffener.

5.2.4

Where a backing bracket is fitted in addition to the PSM web stiffener, it is to be aligned with the web stiffener. The arm length of the backing bracket is not to be less than the depth of the web stiffener. The net cross sectional area through the throat of the bracket is to be included in the calculation of A_w as shown in Figure 9.

5.2.5

Lapped connections of PSM web stiffeners or tripping brackets to stiffeners are not permitted in the cargo hold region.

5.2.6

Where built-up stiffeners have their face plate welded to the side of the web, a symmetrical arrangement of connection to the PSM is to be fitted. This may be achieved by fitting backing brackets on the opposite side of the PSM or bulkhead. In way of the cargo hold region, the PSM web stiffener and backing brackets are to be butt welded to the intersecting stiffener web.

5.2.7

Where the web stiffener of the PSM is parallel to the web of the intersecting stiffener, but not connected to it, the offset PSM web stiffener is to be located in close proximity to the slot edge as shown in **Figure 10**. The ends of the offset web stiffeners are to be suitably tapered and softened. Locations where the web stiffener of the PSM are not connected to the intersecting stiffeners as well as the detail arrangements are to be specially considered on the basis of their ability to transmit load with equivalent effectiveness to that of [5.2.2] through [5.2.6]. Details of calculations made and/or testing procedures and results are to be submitted.

5.2.8

The size of the fillet welds is to be calculated according to **Ch 12, Sec 3, [2.5]** based on the weld factors given in **Table 2**. For the welding in way of the shear connection the size is not to be less than that required for the PSM web plate for the location under consideration.

Table 2 : Weld factors for connection between stiffeners and PSMs (2023)

| Item | Weld factor |
|---|--------------------------------|
| PSM stiffener to intersecting stiffener | $0.6\sigma_{wc}/\sigma_{perm}$ |
| Shear connection inclusive of lug or collar plate, including the web stiffener of the PSM is not connected to the intersection stiffener | $0.6\tau_w/\tau_{perm}$ |
| Note τ_w : Shear stress, in N/mm ² , as defined in [5.2.3]. σ_{wc} : Stress, in N/mm ² , as defined in [5.2.3]. τ_{perm} : Permissible shear stress, in N/mm ² , see Table 1 . σ_{perm} : Permissible direct stress, in N/mm ² , see Table 1 . W : Load, in kN, as defined in [5.2.2]. A_1 : Effective net shear area, in cm ² , as defined in [5.2.2]. A_w : Effective net cross sectional area, in cm ² , as defined in [5.2.2]. | |

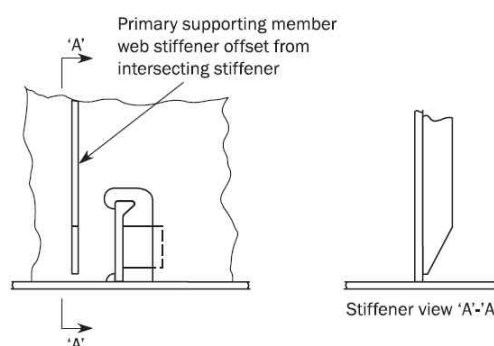


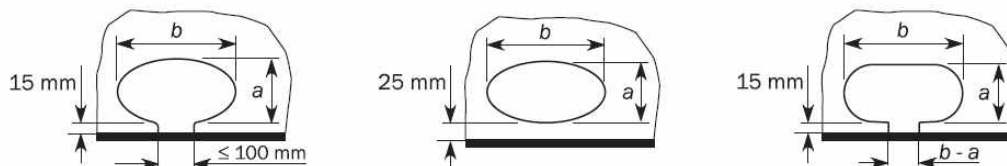
Figure 10 : Offset PSM web stiffeners

6. Openings

6.1 Openings and scallops in stiffeners

6.1.1

Figure 11 shows examples of air holes, drain holes and scallops. In general, the ratio of a/b , as defined in Figure 11, is to be between 0.5 and 1.0. In fatigue sensitive areas further consideration may be required with respect to the details and arrangements of openings and scallops.



The details shown in this figure are for guidance and illustration only.

Figure 11 : Examples of air holes, drain holes and scallops

6.1.2

Openings and scallops are to be kept at least 200 mm clear of the toes of end brackets, end connections and other areas of high stress concentration, measured along the length of the stiffener toward the mid-span and 50 mm measured along the length in the opposite direction, see Figure 12. In areas where the shear stress is less than 60% of the permissible stress, alternative arrangements may be accepted.

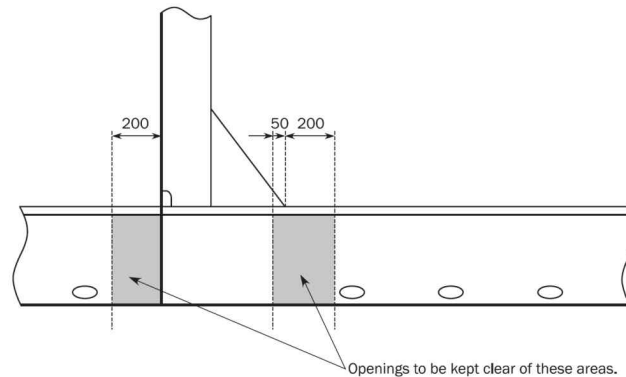


Figure 12 : Location of air and drain holes

6.1.3

Closely spaced scallops or drain holes, i.e. where the distance between scallops/drain holes is less than twice the width b as shown in Figure 11, are not permitted in stiffeners contributing to the longitudinal strength. For other stiffeners, closely spaced scallops/drain holes are not permitted within 20% of the stiffener span measured from the end of the stiffener. Widely spaced air or drain holes may be permitted provided that they are of elliptical shape or equivalent to minimise stress concentration and are cut clear of the welds.

6.2 Openings in primary supporting members

6.2.1 General

Manholes, lightening holes and other similar openings are to be avoided in way of concentrated loads and areas of high shear. In particular, manholes and similar openings are to be avoided in high stress areas unless the stresses in the plating and the panel buckling characteristics have been calculated and found satisfactory.

Examples of high stress areas include:

- a) Vertical or horizontal diaphragm plates in narrow cofferdams/double plate bulkheads within one-sixth of their length from either end.
- b) Floors or double bottom girders close to their span ends.
- c) Primary supporting member webs in way of end bracket toes.
- d) Above the heads and below the heels of pillars.

Where openings are arranged, the shape of openings is to be such that the stress concentration remains within acceptable limits. Openings are to be well rounded with smooth edges.

6.2.2 Manholes and lightening holes

Web openings as indicated below do not require reinforcement

- In single skin sections, having depth not exceeding 25% of the web depth and located so that the edges are not less than 40% of the web depth from the face plate.
- In double skin sections, having depth not exceeding 50% of the web depth and located so that the edges are well clear of cut outs for the passage of stiffeners.

The length of openings is not to be greater than:

- At the mid-span of primary supporting members: the distance between adjacent openings.
- At the ends of the span: 25% of the distance between adjacent openings.

For openings cut in single skin sections, the length of opening is not to be greater than the web depth or 60% of the stiffener spacing, whichever is greater. The ends of the openings are to be equidistant from the cut outs for stiffeners. Where lightening holes are cut in the brackets, the distance from the circumference of the hole to the free flange of brackets is not to be less than the diameter of the lightening hole. Openings not complying with this requirement are to be reinforced according to [6.2.3].

6.2.3 Reinforcements around openings

Manholes and lightening holes are to be stiffened according to this requirement, except where alternative arrangements are demonstrated as satisfactory, in accordance with the analysis methods described in Ch 7.

On members contributing to longitudinal strength, stiffeners are to be fitted along the free edges of the openings parallel to the vertical and horizontal axis of the opening. Stiffeners may be omitted in one direction if the shortest axis is less than 400 mm and in both directions if length of both axes is less than 300 mm. Edge reinforcement may be used as an alternative to stiffeners, see Figure 13.

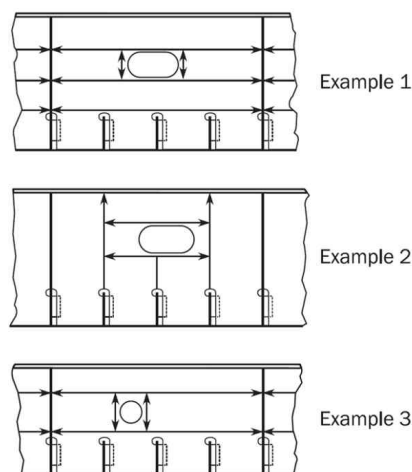


Figure 13: Web plate with openings

6.3 Openings in the strength deck

6.3.1 General

Openings in the strength deck are to be kept to a minimum and spaced as far as practicable from one another and from the ends of superstructures. Openings are to be located as far as practicable from high stress regions such as side shell platings, hatchway corners.

6.3.2 Small opening location

Openings are generally to be located outside the limits as shown in **Figure 14** in dashed area, defined by:

- a) The bent area of a rounded sheer strake, if any, or the side shell.
- b) $e = 0.25(B - b)$ from the edge of opening.
- c) $c = 0.074\ell + 0.1b$ or $0.25b$, whichever is greater.

where:

- b : Width, in m, of the hatchway considered, measured in the transverse direction, see **Figure 14**.
- ℓ : Width, in m, in way of the corner considered, of the cross deck strip between two consecutive hatchways, measured in the longitudinal direction, see **Figure 14**.

Transverse distance between the above limits and openings or between hatchways and openings as shown in **Figure 14** is not to be less than:

- $g_2 = 2a_2$ for circular openings.
- $g_1 = a_1$ for elliptical openings.

Transverse distance between openings as shown in **Figure 15** is not to be less than:

- $2(a_1 + a_2)$ for circular openings.
- $1.5(a_1 + a_2)$ for elliptical openings.

where:

- a_1 : Transverse dimension of elliptical openings, or diameter of circular openings.
- a_2 : Transverse dimension of elliptical openings, or diameter of circular openings.
- a_3 : Longitudinal dimension of elliptical openings, or diameter of circular openings.

Longitudinal distance between openings is not to be less than:

- $(a_1 + a_3)$ for circular openings.
- $0.75(a_1 + a_3)$ for elliptical openings and for an elliptical opening in line with a circular one.

If the opening arrangements do not comply with these requirements, the hull girder longitudinal strength assessment is to be carried out by subtracting such opening areas, see **Ch 5, Sec 1, [1.2.9]**.

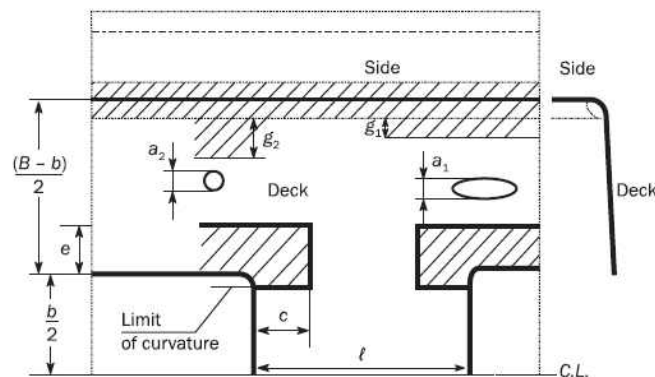


Figure 14: Position of openings in strength deck

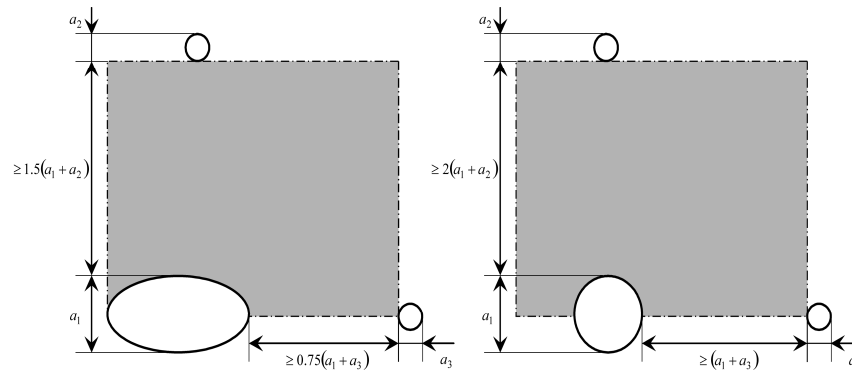


Figure 15 : Elliptical and circular openings in strength deck

7. Double bottom structure

7.1 General

7.1.1 Framing system

The bottom shell and the inner bottom are to be longitudinally framed within the cargo hold region. Where it is not practicable to apply the longitudinal framing system to fore and aft parts of the cargo hold region due to the hull form, transverse framing may be accepted on a case-by-case basis subject to appropriate brackets and other arrangements being incorporated to provide structural continuity in way of changes to the framing system.

7.1.2 Variation in height of double bottom

Any variation in the height of the double bottom is to be made gradually and over an adequate length; the knuckles of inner bottom plating are to be located in way of plate floors. Where such arrangement is not possible, suitable longitudinal structures such as partial girders, longitudinal brackets, fitted across the knuckle are to be arranged.

7.1.3 Drainage of tank top

Where wells are provided for the drainage, such wells are not to extend for more than one-half height of the double bottom. In no case the vertical distance from the bottom of such wells to a plane coinciding with the keel line be less than 500 mm.

7.1.4 Duct keel

Where a duct keel is arranged, the centre girder may be replaced by two girders spaced, no more than 3 m apart. Otherwise, for a spacing wider than 3 m, the two girders are to be provided with support of adjacent structure and subject to the Society's approval. The structures in way of the floors are to provide sufficient continuity of the latter.

7.2 Keel plate

7.2.1

Keel plating is to extend over the flat of bottom for the full length of the ship. The width of the keel, in m, is not to be less than $0.8 + L/200$, without being taken greater than 2.3 m.

7.3 Girders

7.3.1 Centre girder

When fitted, the centre girder is to extend within the cargo hold region and is to extend forward and aft

as far as practicable. Structural continuity of the centre girder is to be maintained within the full length of the ship.

Where double bottom compartments are used for the carriage of fresh water or ballast water, the centre girder is to be watertight, except for the case such as narrow tanks at the end parts or when other watertight girders are provided within $0.25 B$ from the centreline.

7.3.2 Side girders

The side girders are to extend within the parallel part of the cargo hold region and are to extend forward and aft of the cargo hold region as far as practicable.

7.4 Floors

7.4.1 Web stiffeners

Floors are to be provided with web stiffeners in way of longitudinal ordinary stiffeners. Where the web stiffeners are not welded to the longitudinal stiffeners, design standard as given in **Ch 9, Sec 6, [2]** applies unless fatigue strength assessment for the cut out and connection of longitudinal stiffener is carried out.

7.5 Bilge keel

7.5.1 Material

The material of the bilge keel and ground bar is to be of the same yield stress as the material to which they are attached. In addition, when the bilge keel extends over a length more than $0.15 L$, the material of the bilge keel and ground bar is to be of the same grade as the material to which they are attached.

7.5.2 Design

The design of single web bilge keels is to be such that failure to the web occurs before failure of the ground bar. This may be achieved by ensuring the web thickness of the bilge keel does not exceed that of the ground bar. Bilge keels of a different design, from that shown in **Figure 16**, are to be specially considered by the Society.

7.5.3 Ground bars

Bilge keels are not to be welded directly to the shell plating. A ground bar, or doubler, is to be fitted on the shell plating as shown in **Figure 16** and **Figure 17**. In general, the ground bar is to be continuous. The gross thickness of the ground bar is not to be less than the gross thickness of the bilge strake or 14 mm, whichever is the lesser.

7.5.4 End details

The ground bar and bilge keel ends are to be tapered or rounded. Tapering is to be gradual with a minimum ratio of 3:1, see items (a), (b), (d) and (e) in **Figure 17/Figure 18**. Rounded ends are to be as shown in item (c) of **Figure 17**. Cut-outs on the bilge keel web, within zone 'A' (see items (b) and (e) of **Figure 17/Figure 18**) are not permitted. The end of the bilge keel web is to be not less than 50 mm and not greater than 100 mm from the end of the ground bar, see items (a) and (d) of **Figure 19/Figure 20**. Ends of the bilge keel and ground bar are to be supported by either transverse or longitudinal members inside the hull, as indicated as follows:

- a) Transverse support member is to be fitted at mid length between the end of the bilge keel web and the end of the ground bar, see items (a), (b) and (c) of **Figure 17**.
- b) Longitudinal stiffener is to be fitted in line with the bilge keel web, it is to extend to at least the nearest transverse member forward and aft of zone 'A' (see items (b) and (e) of **Figure 17/Figure 18**).

Alternative end arrangements may be accepted, provided that they are considered equivalent.

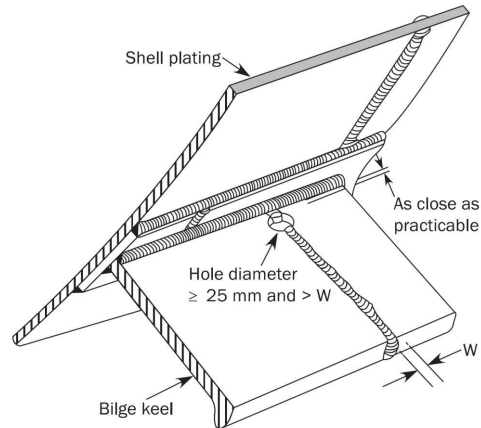


Figure 16 : Bilge keel construction

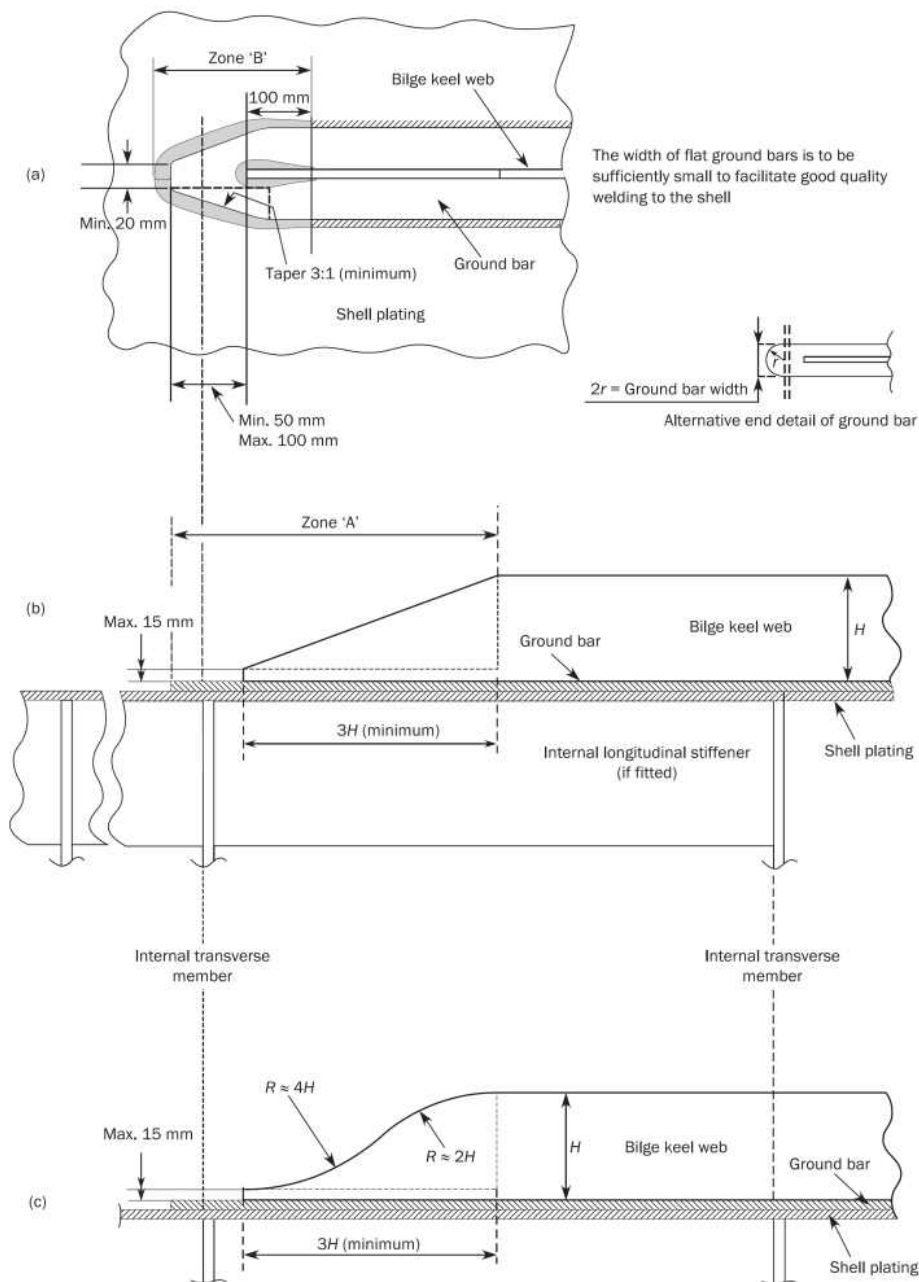


Figure 17 : Bilge keel end design

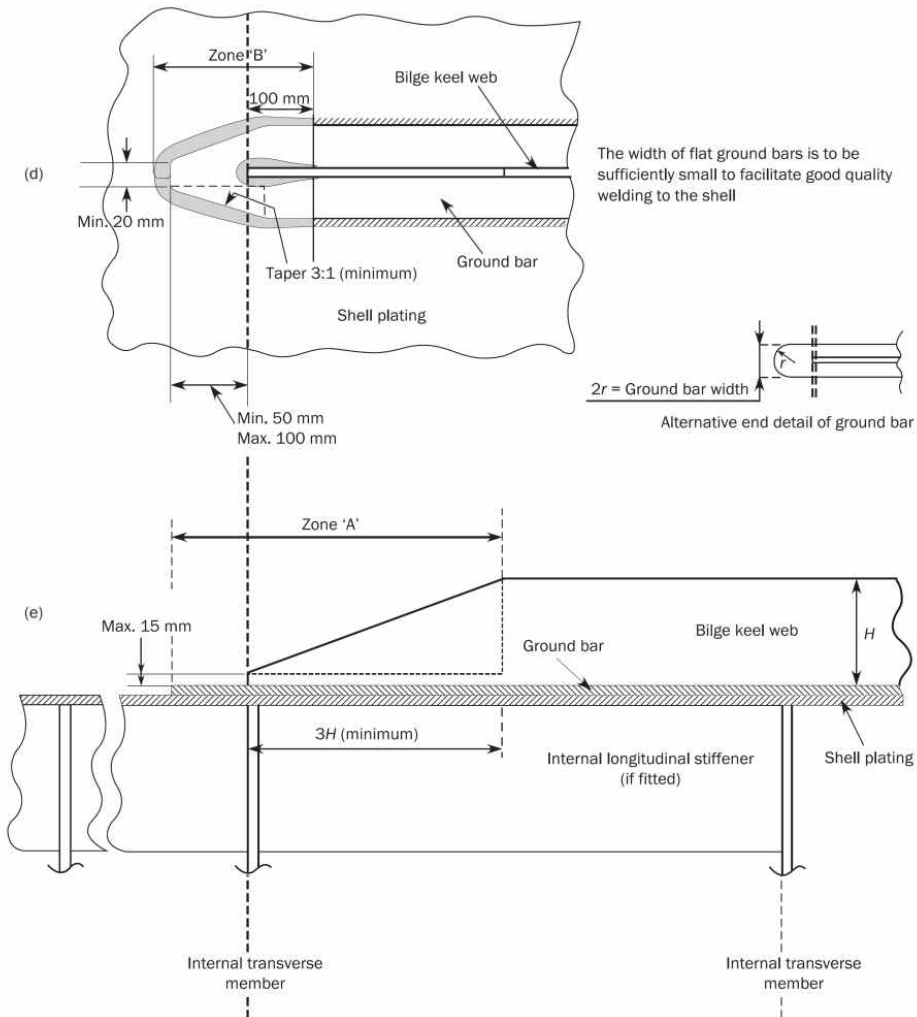


Figure 18 : Bilge keel end design (continued)

7.6 Docking

7.6.1 General

The dry docking arrangement itself is not covered in these Rules. The bottom structure is to withstand the forces imposed by dry docking the ship.

7.6.2 Docking brackets

Docking brackets connecting the centreline girder to the bottom plating, are to be connected to the adjacent bottom longitudinals.

8. Double side structure

8.1 General

8.1.1

Side shell and inner hull are generally to be longitudinally framed. Where the side shell is longitudinally framed, the inner hull are to be longitudinally framed.

8.2 Structural arrangement

8.2.1 Primary supporting members

Double side web frames are to be fitted in line with web frames in hopper tanks. In general, horizontal side stringers are to be fitted aft of the collision bulkhead, up to $0.2L$ aft of the fore end, in line with fore peak stringers.

8.2.2 Longitudinal stiffeners

The longitudinal stiffeners on side shell and inner hull, where fitted, are to be continuous within the length of the parallel part of the cargo hold region. They are to be effectively connected to the transverse web frames and bulkheads of the double side structure. Longitudinal framing of the side shell and inner longitudinal bulkhead is to extend outside the cargo hold region, as far forward as practicable.

8.2.3 Transverse stiffeners

The transverse stiffeners on side shell and inner hull, where fitted, are to be continuous or fitted with bracket end connections. At their upper and lower ends, the shell and inner hull transverse stiffeners are to be connected by brackets to the supporting stringer plates.

8.2.4 Sheer strake

Sheer strakes are to have breadths, in m, not less than $0.8 + L/200$, measured vertically, but need not be greater than 1.8 m. The sheer strake may be either welded to the stringer plate or rounded. If the sheer strake is rounded, its radius, in mm, is to be not less than $17t_s$, where t_s is the net thickness, in mm, of the sheer strake.

The upper edge of the welded sheer strake is to be rounded, smooth and free of notches. Fixtures, such as bulwarks and eye plates, are not to be directly welded on the upper edge of the sheer strake, except in fore and aft parts. Drainage openings with a smooth transition in the longitudinal direction may be permitted. Longitudinal seam welds of rounded sheer strake are to be located outside the bent area at a distance not less than 5 times the maximum net thickness of the sheer strake. The welding of deck fittings to rounded sheer strakes is to be avoided within $0.6L$ amidships. The transition from a rounded sheer strake to an angled sheer strake associated with the arrangement of superstructures is to be designed to avoid any discontinuities.

8.2.5 Plating connection

Connection between the inner hull plating and the inner bottom plating is to be designed such that stress concentration is avoided. The connections of hopper tanks plating with inner hull and with inner bottom are to be supported by a primary supporting member.

9. Deck structure

9.1 Structural arrangement

9.1.1 Framing system

Deck areas contributing to the longitudinal strength are to be longitudinally framed.

9.1.2 Stringer plate

Stringer plates are to have breadths not less than $0.8 + L/200$ m, measured parallel to the deck, but need not be greater than 1.8 m. Rounded stringer plates, where adopted, are to comply with the requirements in [8.2.4].

9.1.3 Connection of deckhouses and superstructures

Connection of deckhouses and superstructures to the strength deck are to be designed such that loads are transmitted into the under deck supporting structure.

9.2 Deck scantlings

9.2.1

The web depth of deck stiffeners is not to be less than 60 mm. Unless the double deck structure, the web depth of PSMs is not to be less than 10% and 7% of the unsupported span in bending in tanks and in dry spaces, respectively, and is not to be less than 2.5 times the depth of the slots if the slots are not closed. Unsupported span in bending is the bending span as defined in **Ch 3, Sec 7** or in case of a grillage structure, the distance between connections to other PSMs.

10. Bulkhead structure

10.1 Application

10.1.1

The requirements of this article apply to longitudinal and transverse bulkheads.

10.2 General

10.2.1

The web height of vertical PSMs on bulkheads may be gradually tapered from bottom to deck.

10.2.2

Bulkheads are to be stiffened in way of deck girders.

10.2.3

Where bulkheads are penetrated by ballast piping, the structural arrangements in way of the connection are to be adequate for the loads imparted to the bulkheads by the hydraulic forces in the pipes.

10.3 Cargo hold bulkheads

10.3.1 General

Watertight transverse bulkheads are to be fitted in line with a double bottom floor.

10.3.2 Primary supporting members

The vertical primary supporting members of the transverse bulkheads are to be fitted in line with bottom girders. Their flanges are to be in line with a double bottom floor. The strength of the connection between these members and the bottom structure is to be assessed.

10.4 Plane bulkheads

10.4.1 General

Plane bulkheads may be horizontally or vertically stiffened. The horizontally framed bulkheads are made of horizontal stiffeners supported by vertical primary supporting members. The vertically framed bulkheads are made of vertical stiffeners supported by horizontal stringers, if needed.

10.4.2 End connection of stiffeners

The crossing of stiffeners through a watertight bulkhead is to be watertight. End connections of stiffeners are to be bracketed. For isolated areas where bracketed end connections cannot be applied due to hull lines, other arrangements including sniped ends are acceptable. Sniped ends may be used for stiffeners on bulkheads subject to hydrostatic pressure, provided they comply with **[3.4]**.

10.5 Watertight bulkheads of trunks and tunnels

10.5.1

Watertight bulkheads of trunks, tunnels, duct keels and ventilators are to be of the same strength as watertight bulkheads at corresponding levels. The means used for making them watertight, and the arrangements adopted for closing their openings, are to be to the satisfaction of the Society.

11. Pillars

11.1 General

11.1.1

Wherever possible, pillars are to be fitted in the same vertical line. If not possible, effective means are to be provided for transmitting the pillar loads to the supports below. Effective arrangements are to be made to distribute the loads at the heads and the heels of all the pillars. Where pillars support eccentric loads, they are to be strengthened to withstand the additional bending moment applied on them.

11.1.2

Pillars are to be provided in line with the double bottom girders or as close thereto as practicable, and the structure above and below the pillars is to be of sufficient strength to provide effective distribution of the load.

Where pillars connected to the inner bottom are not located in way of the intersection of floors and girders, partial floors or girders, or equivalent structures, are to be fitted as necessary to support the pillars.

11.1.3

Pillars provided in tanks are to be of solid or open section type. Where the hydrostatic pressure may result in tensile stresses in the pillar, the tensile stress in the pillar and its end connections is not to exceed 45% of the specified minimum yield stress of the material.

11.2 Connections

11.2.1

Heads and heels of the pillars are to be secured by thick doubling plates and brackets, as necessary. Alternative arrangements for doubling plates may be accepted, provided they are considered equivalent, as deemed appropriate by the Society. Where the pillars are likely to be subjected to tensile loads, heads and heels of the pillars are to be efficiently secured to withstand the tensile loads and the doubling plates are to be replaced by insert plates. The net thickness of the doubling plates, when fitted, is to be not less than 1.5 times the net thickness of the pillar. Pillars are to be attached at their heads and heels by continuous welding.

Section 7 – Structural Idealisation

Symbols

For symbols not defined in this section, refer to **Ch 1, Sec 4**.

- φ_w : Angle, in deg, between the stiffener or primary supporting member web and the attached plating, see **Figure 12** for stiffener and **Ch 10, Sec 1, Figure 5** for primary supporting member. φ_w is to be taken equal to 90 deg if the angle is greater than or equal to 75 deg.
- ℓ_{bdg} : Effective bending span, in m, as defined in **[1.1.2]** for stiffeners and **[1.1.5]** for primary supporting members.
- ℓ_{shr} : Effective shear span, in m, as defined in **[1.1.3]** for stiffeners and **[1.1.6]** for primary supporting members.
- ℓ : Full length of stiffener or of primary supporting member, in m, between their supports.
- s : Stiffener spacing, in mm, as defined in **[1.2]**.
- S : Primary supporting member spacing, in m, as defined in **[1.2]**.
- a : Length, in mm, of EPP as defined in **[2.1.1]**.
- b : Breadth, in mm, of EPP as defined in **[2.1.1]**.
- h_{stf} : Stiffener height, including the face plate, in mm.
- t_p : Net thickness of attached plate, in mm.
- t_w : Net web thickness, in mm. For bulb profiles, see **[1.4.1]**.
- b_f : Breadth of flange, in mm, see **Ch 3, Sec 2, Figure 2**. For bulb profiles, see **[1.4.1]**.
- t_f : Net thickness of flange, in mm.
- PSM : Primary Supporting Member.
- EPP : Elementary Plate Panel.
- LCP : Load Calculation Point.

1. Structural idealisation of stiffeners and primary support members

1.1 Effective spans

1.1.1 General

Where arrangements differ from those defined in this article, span definition may be specially considered.

1.1.2 Effective bending span of stiffeners

The effective bending span ℓ_{bdg} of stiffeners is to be measured as shown in **Figure 1** for single skin structures and **Figure 2** for double skin structures. If the web stiffener is sniped at the end or not attached to the stiffener under consideration, the effective bending span is to be taken as the full length between PSMs unless a backing bracket is fitted, see **Figure 1**.

The effective bending span may be reduced where brackets are fitted to the flange or free edge of the stiffener. Brackets fitted on the side opposite to that of the stiffener with respect to attached plating are not to be considered as effective in reducing the effective bending span.

In single skin structures, the effective bending span of a stiffener supported by a bracket or by a web stiffener on one side only of the primary supporting member web, is to be taken as the total span between primary supporting members as shown in item (a) of **Figure 1**. If brackets are fitted on both

sides of the primary supporting member, the effective bending span is to be taken as in items (b), (c) and (d) of **Figure 1**.

Where the face plate of the stiffener is continuous along the edge of the bracket, the effective bending span is to be taken to the position where the depth of the bracket is equal to one quarter of the depth of the stiffener, see **Figure 3**.

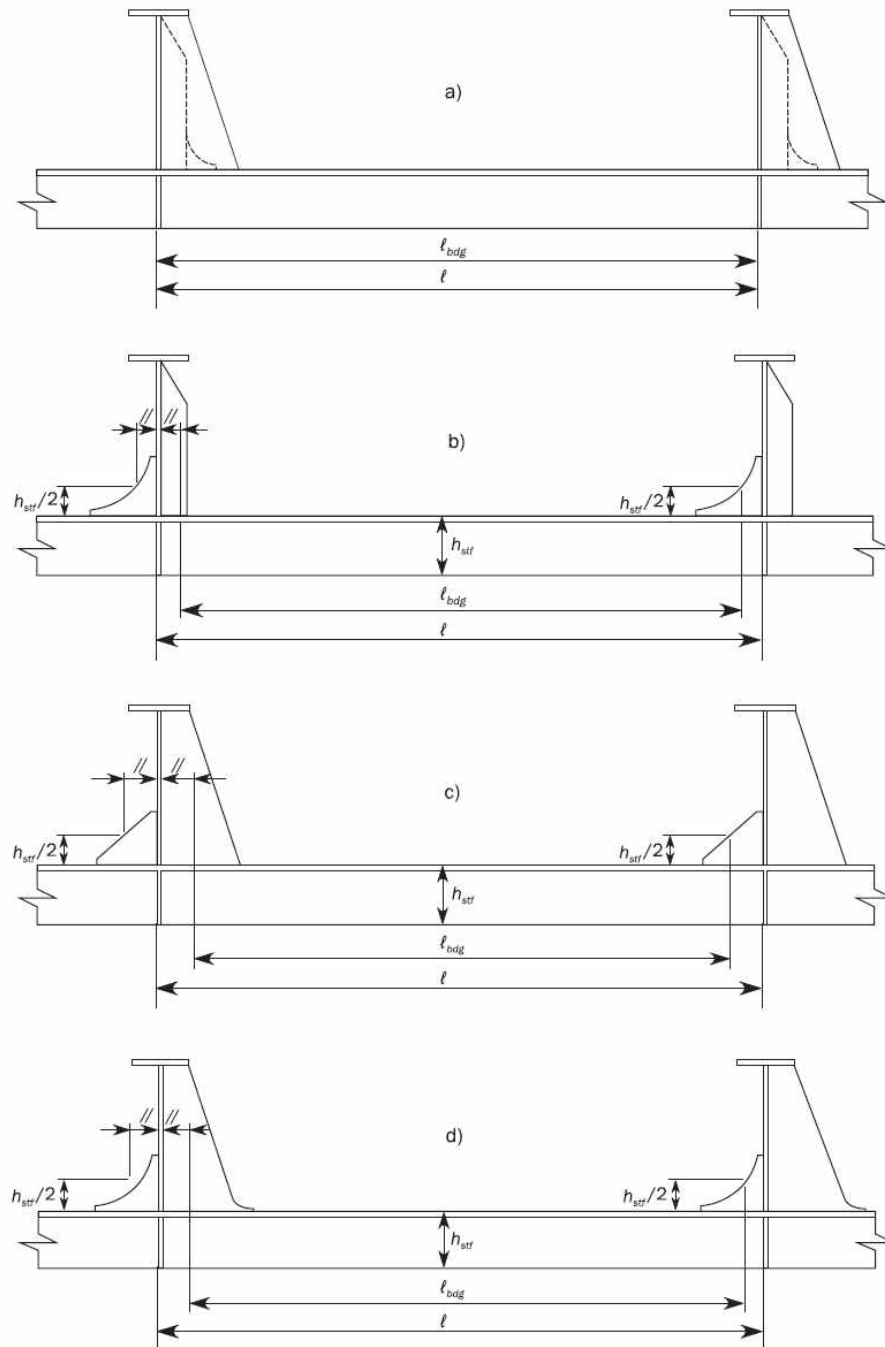


Figure 1 : Effective bending span of stiffeners supported by web stiffeners (Single skin construction)

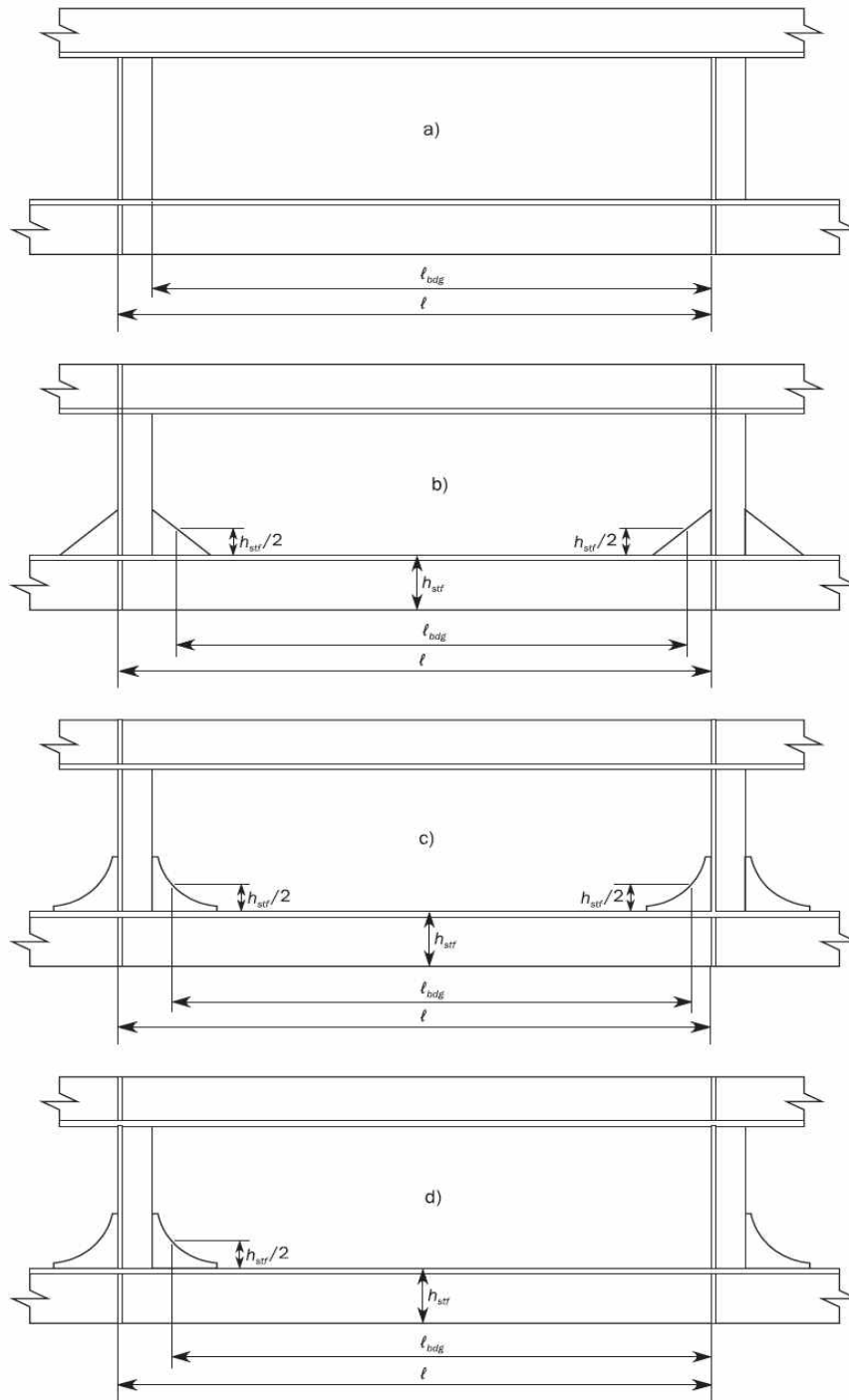


Figure 2 : Effective bending span of stiffeners supported by web stiffeners (Double skin construction)

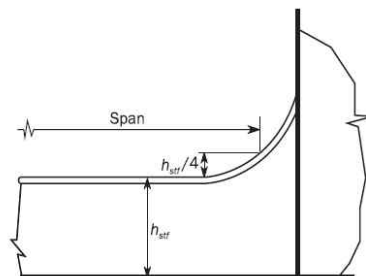


Figure 3 : Effective bending span for local support members with continuous face plate along bracket edge

1.1.3 Effective shear span of stiffeners

The effective shear span, ℓ_{shr} in m, of stiffeners is to be measured as shown in **Figure 4** for single skin structures and **Figure 5** for double skin structures. The effective shear span may be reduced for brackets fitted on either the flange or the free edge of the stiffener, or for brackets fitted to the attached plating on the side opposite to that of the stiffener.

If brackets are fitted at both the flange or free edge of the stiffener, and to the attached plating on the side opposite to the stiffener the effective shear span may be reduced using the longer effective bracket arm. Regardless of support detail, the full length of the stiffener may be reduced by a minimum of $s/4000$ m at each end of the member, hence the effective shear span ℓ_{shr} , is not to be taken greater than:

$$\ell_{shr} \leq \ell - \frac{s}{2000}$$

For curved and/or long brackets (high length/height ratio), the effective bracket length is to be taken as the maximum inscribed 1:1.5 right angled triangle as shown in item (c) of both **Figure 4** and **Figure 5**.

Where the face plate of the stiffener is continuous along the curved edge of the bracket, the bracket length to be considered for determination of the span point location is not to be taken greater than 1.5 times the length of the bracket arm as shown in **Figure 6**.

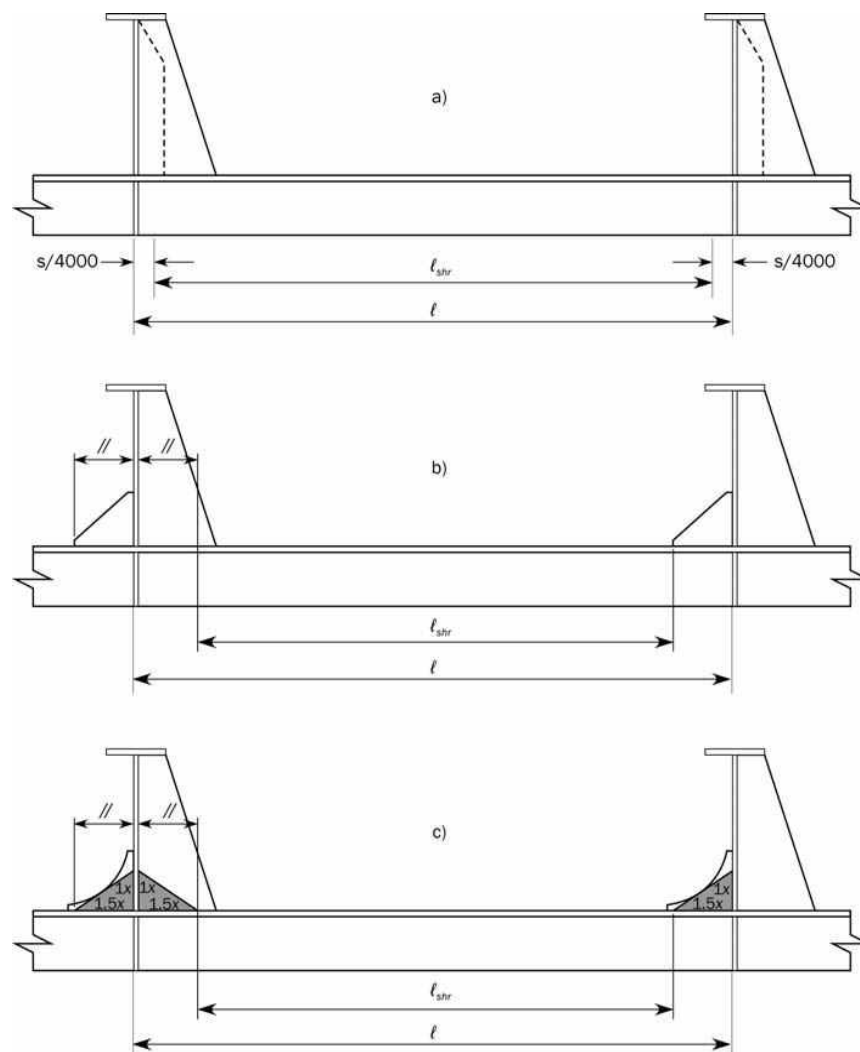


Figure 4 : Effective shear span of stiffeners supported by web stiffeners (single skin construction)

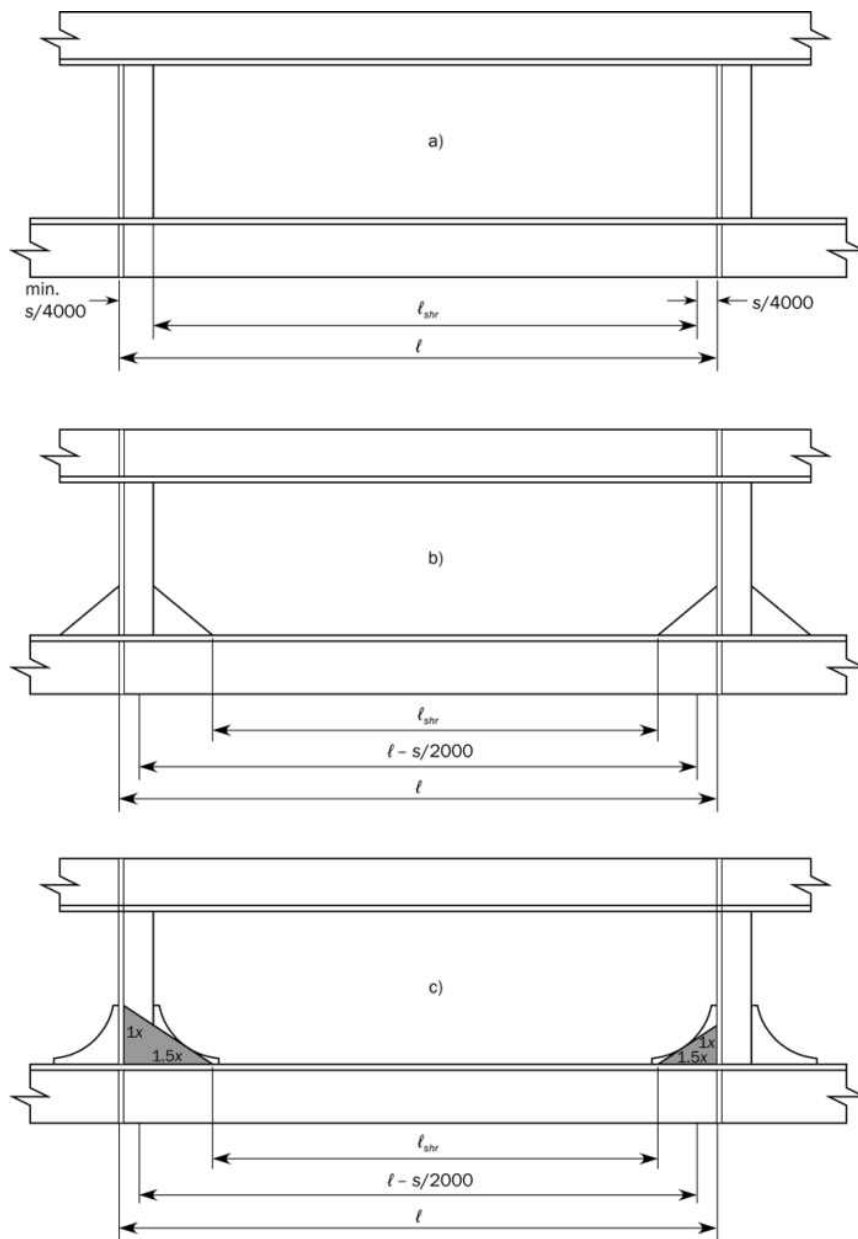


Figure 5 : Effective shear span of stiffeners supported by web stiffeners (double skin construction)

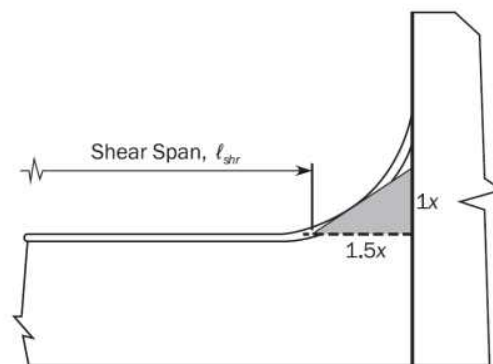


Figure 6 : Effective shear span for local support members with continuous face plate along bracket edge

1.1.4 Effect of hull form shape on span of stiffeners

For curved stiffeners, the span is defined as the chord length between span points to be measured at the flange for stiffeners with a flange, and at the free edge for flat bar stiffeners. The calculation of the effective span is to be in accordance with requirements given in [1.1.2] and [1.1.3].

1.1.5 Effective bending span of primary supporting members

The effective bending span ℓ_{bdg} of a primary supporting member without end bracket is to be taken as the length of the primary supporting member between supports. The effective bending span ℓ_{bdg} of a primary supporting member may be taken as less than the full length of the primary supporting member between supports, provided suitable end brackets are fitted.

The effective bending span ℓ_{bdg} , in m, of a primary supporting member with end brackets is taken between points where the depth of the bracket is equal to half the web height of the primary supporting member as shown in **Figure 7** (b). The effective bracket used to define these span points is to be taken as given in [1.1.7].

In case of brackets where the face plate of the member is continuous along the face of the bracket, as shown in **Figure 7** (a), (c) and (d), the effective bending span ℓ_{bdg} , in m, is taken between points where the depth of the bracket is equal to one quarter the web height of the primary supporting member. The effective bracket used to define these span points is to be taken as given in [1.1.7].

For straight brackets with a length to height ratio greater than 1.5, the span point is to be taken to the effective bracket; otherwise the span point is to be taken to the fitted bracket.

For curved brackets, for span positions above the tangent point between fitted bracket and effective bracket, the span point is to be taken to the fitted bracket; otherwise, the span point is to be taken to the effective bracket.

For arrangements where the primary supporting member face plate is carried on to the bracket and backing brackets are fitted, the span point need not be taken greater than to the position where the total depth reaches twice the depth of the primary supporting member. Arrangements with small and large backing brackets are shown in **Figure 7** (e) and (f).

For arrangements where the height of the primary supporting member is maintained and the face plate width is increased towards the support, the effective bending span ℓ_{bdg} may be taken to a position where the face plate breadth reaches twice the nominal breadth.

1.1.6 Effective shear span of primary supporting members

The effective shear span of the primary supporting member may be reduced compared to effective bending span, and taken between the toes of the effective brackets supporting the member, where the toes of effective brackets are as shown in **Figure 8**. The effective bracket used to define the toe point is given in [1.1.7]. For arrangements where the effective backing bracket is larger than the effective bracket in way of face plate, the shear span is to be taken as the mean distance between toes of the effective brackets as shown in **Figure 8** (f).

1.1.7 Effective bracket definition

The effective bracket is defined as the maximum size of right angled triangular bracket with a length to height ratio of 1.5 that fits inside the fitted bracket. See **Figure 7** for examples.

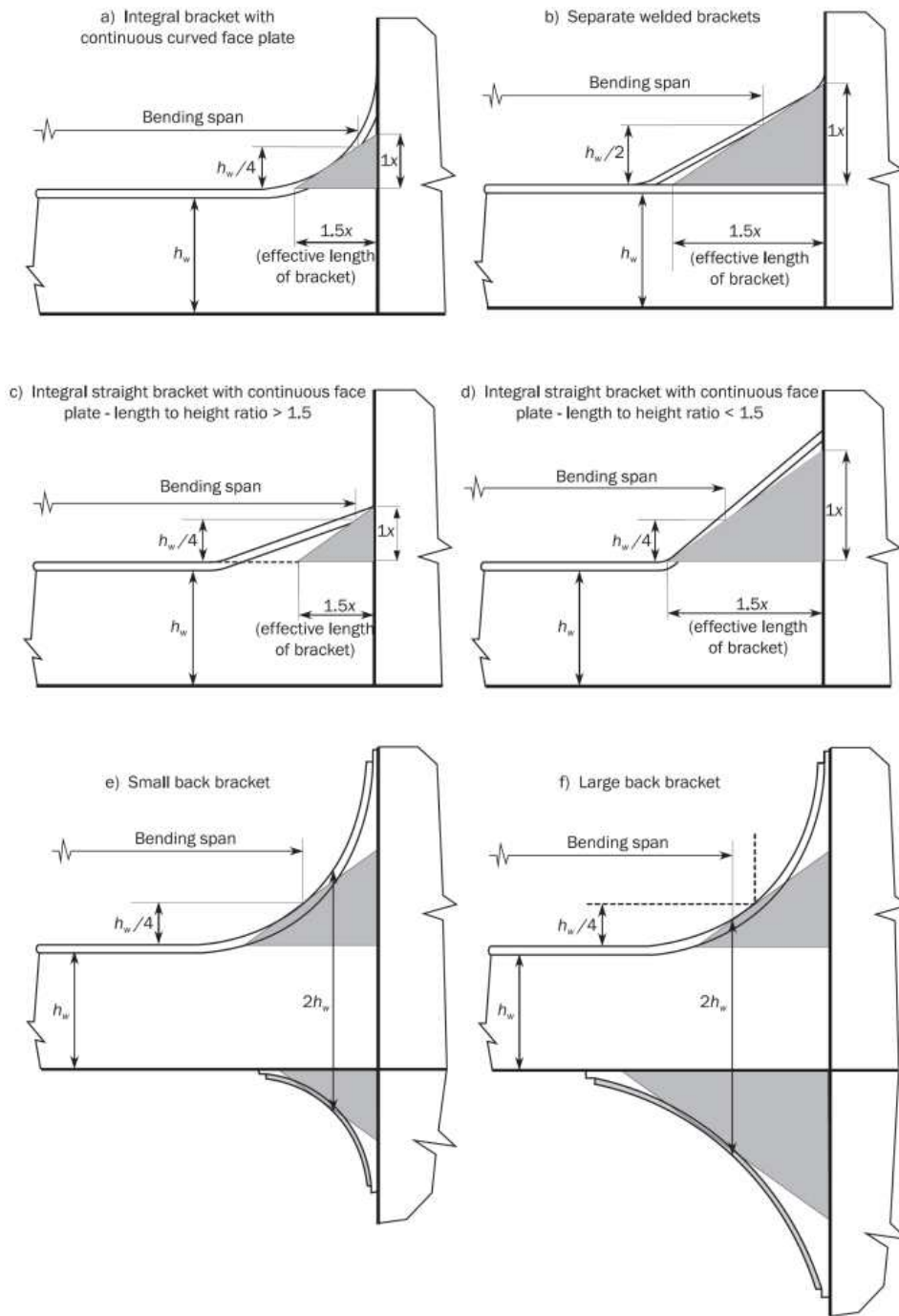


Figure 7 : Effective bending span of primary supporting member

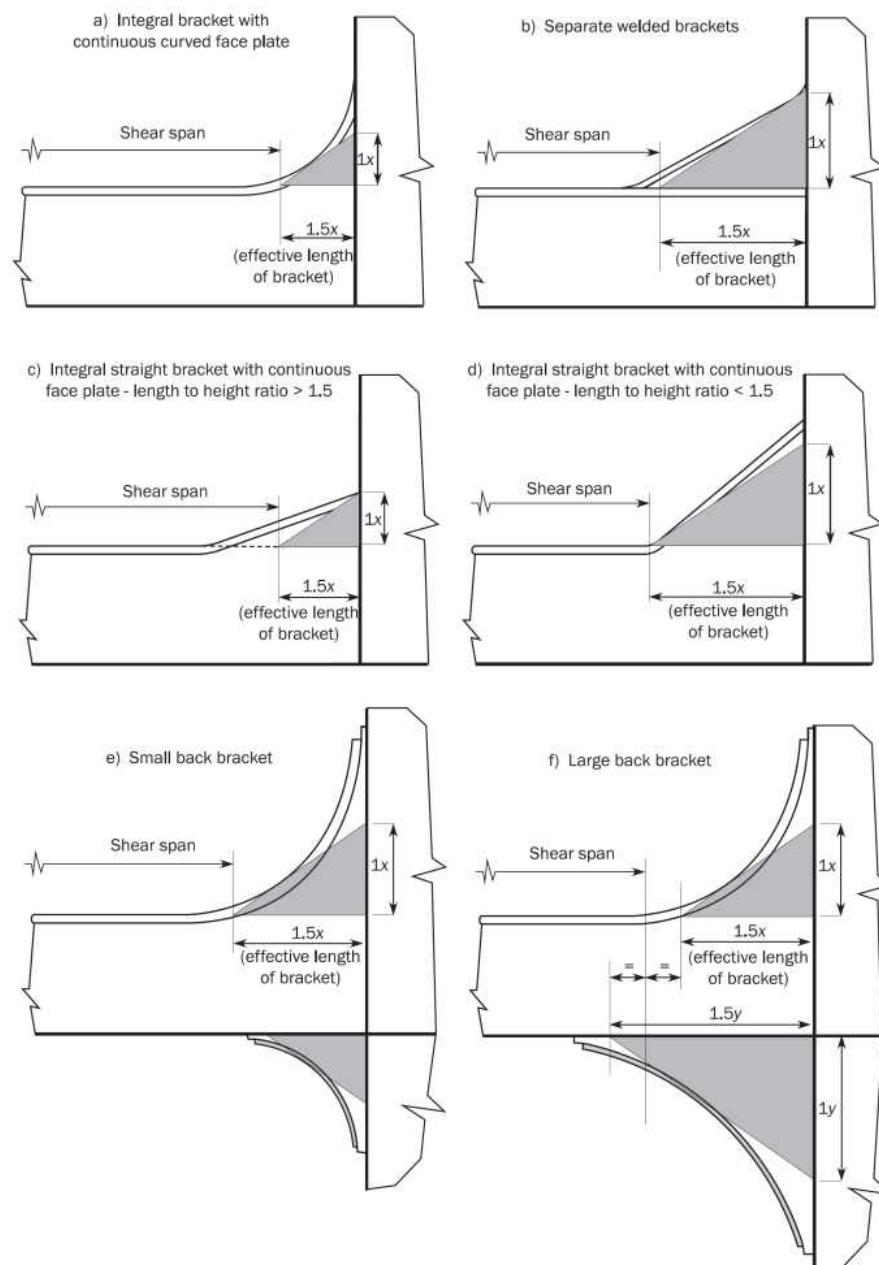


Figure 8 : Effective shear span of primary supporting member

1.2 Spacing and load supporting breadth

1.2.1 Stiffeners

Stiffeners spacing, s , in mm, for the calculation of the effective attached plating of stiffeners is to be taken as the mean spacing between stiffeners and taken equal to, see **Figure 9**.

$$s = \frac{b_1 + b_2 + b_3 + b_4}{4}$$

where:

b_1, b_2, b_3, b_4 : Spacings between stiffeners at ends, in mm. In general, the loading breadth supported by stiffener is to be taken equal to s .

1.2.2 Primary supporting member

Primary supporting member spacing, S , for the calculation of the effective attached plating of primary supporting members is to be taken as the mean spacing between adjacent primary supporting members, and taken equal to, see **Figure 9**.

$$s = \frac{b_1 + b_2 + b_3 + b_4}{4}$$

where:

b_1, b_2, b_3, b_4 : Spacings between primary supporting members at ends. In general, the loading breadth supported by a primary supporting member is to be taken equal to S .

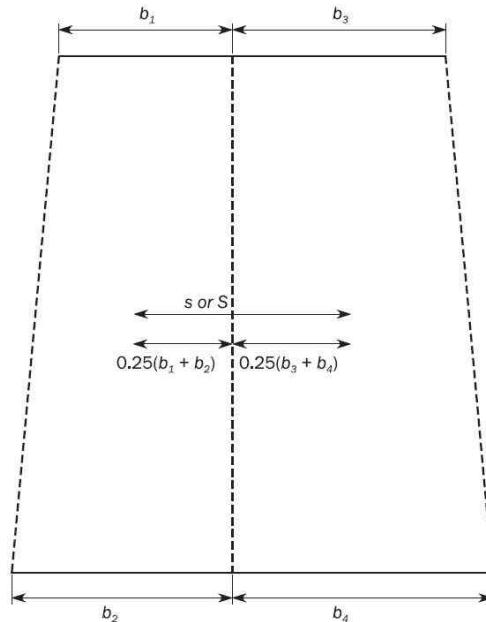


Figure 9 : Spacing of plating

1.2.3 Spacing of curved plating

For curved plating, the stiffener spacing, s or the primary supporting member spacing, S is to be measured on the mean chord between members.

1.3 Effective breadth

1.3.1 Stiffeners

The effective breadth, b_{eff} , in mm, of the attached plating to be considered in the actual net section modulus for the yielding check of stiffeners is to be obtained from the following formulae:

- a) Where the plating extends on both sides of the stiffener:

$$b_{eff} = 200l, \text{ or}$$

$$b_{eff} = s$$

whichever is lesser.

- b) Where the plating extends on one side of the stiffener (i.e. stiffeners bounding openings):

$$b_{eff} = 100l, \text{ or}$$

$$b_{eff} = 0.5s$$

whichever is lesser.

However, where the attached plate net thickness is less than 8 mm, the effective breadth is not to be taken greater than 600 mm. The effective breadth, b_{eff} , in mm, of the attached plating to be considered for the buckling check of stiffeners is given in **Ch 8, Sec 5, [2.3.5]**.

1.3.2 Primary supporting members

The effective breadth of attached plating, b_{eff} , in m, for calculating the section modulus and/or moment of inertia of a primary supporting member is to be taken as:

$$b_{eff} = S \cdot \min \left[\frac{1.12}{1 + \frac{1.75}{\left(\frac{\ell_{bdg}}{S\sqrt{3}}\right)^{1.6}}}; 1.0 \right] \quad \text{for } \frac{\ell_{bdg}}{S\sqrt{3}} \geq 1$$

$$b_{eff} = 0.407 \frac{\ell_{bdg}}{\sqrt{3}} \quad \text{for } \frac{\ell_{bdg}}{S\sqrt{3}} < 1$$

1.3.3 Effective area of curved face plate and attached plating of primary supporting members

The effective net area given in a) and b) is only applicable to curved face plates and curved attached plating of primary supporting members. This is not applicable for the area of web stiffeners parallel to the face plate. The effective net area is applicable to primary supporting members for the following calculations:

- Actual net section modulus used for comparison with the scantling requirements in **Ch 6**.
- Actual effective net area of curved face plates, modelled by beam elements, used in **Ch 7**.

a) The effective net area, $A_{eff-n50}$, in mm², is to be taken as:

$$A_{eff-n50} = C_f t_{f-n50} b_f$$

where:

C_f : Flange efficiency coefficient is to be obtained from the following formula but not to be greater than 1.0:

$$C_f = C_{f1} \frac{1.285}{\beta k_1} \quad \text{for symmetrical face plate}$$

$$C_f = 0.18 + \frac{0.08}{\beta^2} \quad \text{for unsymmetrical face plate}$$

$$C_f = C_{f1} \frac{1.285}{\beta} \quad \text{for attached plating of box girders}$$

C_{f1} : Coefficient taken equal to:

- For symmetrical face plates,

$$C_{f1} = \frac{\sinh k_1 \beta \cosh k_1 \beta + \sin k_1 \beta \cos k_1 \beta}{(\cosh k_1 \beta)^2 + \cos^2 k_1 \beta}$$

- For attached plating of box girders with two webs,

$$C_{f1} = \frac{0.78 (\sinh \beta + \sin \beta)(\cosh \beta - \cos \beta)}{(\sinh \beta)^2 + \sin^2 \beta}$$

- For attached plating of box girders with multiple webs,

$$C_{f1} = \frac{1.56 (\cosh \beta - \cos \beta)}{\sinh \beta + \sin \beta}$$

k_1 : Coefficient calculated as:

$$k_1 = 1.4 + 1.25(1.4 - \beta)^3 \quad \text{for } \beta < 1.4$$

$$k_1 = 1.4 \quad \text{for } \beta \geq 1.4$$

β : Coefficient calculated as:

$$\beta = \frac{1.285 b_1}{\sqrt{r_f t_{f-n50}}}, \text{ in rad.}$$

b_1 : Breadth, in mm, to be taken equal to:

- For symmetrical face plates, $b_1 = 0.5(b_f - t_{w-n50})$

- For unsymmetrical face plates, $b_1 = b_f$

- For attached plating of box girders, $b_1 = s_w - t_{w-n50}$

s_w : Spacing of supporting webs for box girders, in mm.

t_{f-n50} : Net flange thickness, in mm. For calculation of C_f and β of unsymmetrical face plates, t_{f-n50} is not to be taken greater than t_{w-n50} .

t_{w-n50} : Net web plate thickness, in mm.

r_f : Radius of curved face plate or attached plating, in mm, see **Figure 10** at mid thickness.

b_f : Breadth of face plate or attached plating, in mm, see **Figure 10**.

b) The effective net area, in mm², of curved face plates supported by radial brackets, or attached plating supported by cylindrical stiffeners, is given by:

$$A_{eff-n50} = \left(\frac{3r_f t_{f-n50} + C_f s_r^2}{3r_f t_{f-n50} + s_r^2} \right) t_{f-n50} b_f$$

where:

s_r : Spacing of tripping brackets or web stiffeners or stiffeners normal to the web plating, in mm, see **Figure 10**.

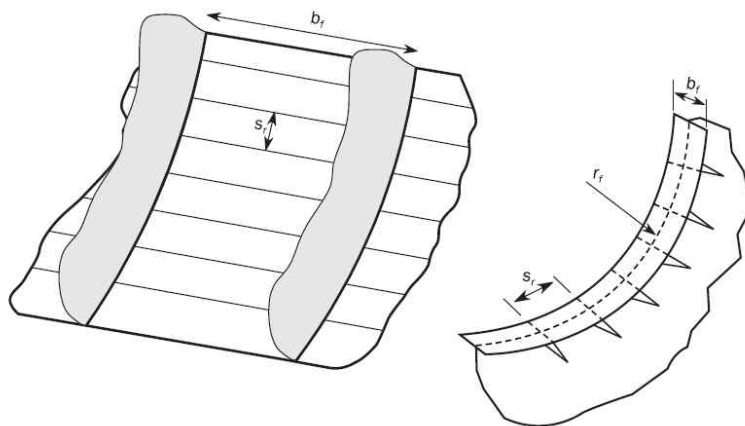


Figure 10 : Curved shell panel and face plate

1.4 Geometrical properties of stiffeners and primary supporting members

1.4.1 Stiffener profile with a bulb section

The properties of bulb profile sections are to be determined by direct calculations. Where direct calculation of properties is not possible, a bulb section may be taken equivalent to a built-up section. The

net dimensions of the equivalent built-up section are to be obtained, in mm, from the following formulae.

$$h_w = h'_w - \frac{h'_w}{9.2} + 2$$

$$b_f = \alpha \left(t'_w + \frac{h'_w}{6.7} - 2 \right)$$

$$t_f = \frac{h'_w}{9.2} - 2$$

$$t_w = t'_w$$

where:

h'_w, t'_w : Net height and thickness of a bulb section, in mm, as shown in **Figure 11**.

α : Coefficient equal to:

$$\alpha = 1.1 + \frac{(120 - h'_w)^2}{3000} \quad \text{for } h'_w \leq 120$$

$$\alpha = 1.0 \quad \text{for } h'_w > 120$$

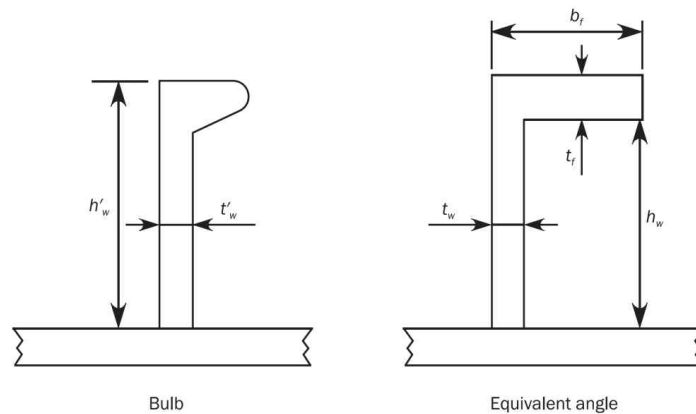


Figure 11 : Dimensions of stiffeners

1.4.2 Net elastic shear area of stiffeners

The net elastic shear area, A_{shr} , in cm^2 , of stiffeners is to be taken as:

$$A_{shr} = d_{shr} t_w 10^{-2}$$

d_{shr} : Effective shear depth of stiffener, in mm, as defined in **[1.4.3]**.

t_w : Net web thickness of the stiffener, in mm, as defined in **Ch 3, Sec 2, Figure 2**.

1.4.3 Effective shear depth of stiffeners

The effective shear depth of stiffeners, d_{shr} , in mm, is to be taken as:

$$d_{shr} = (h_{stf} - 0.5t_{c-stf} + t_p + 0.5t_{c-pl}) \sin \varphi_w$$

where:

h_{stf} : Height of stiffener, in mm, as defined in **Ch 3, Sec 2, Figure 2**.

t_p : Net thickness of the stiffener attached plating, in mm, as defined in **Ch 3, Sec 2, Figure 2**.

t_{c-stf} : Corrosion addition, in mm, of considered stiffener as given in **Ch 3, Sec 3**.

t_{c-pl} : Corrosion addition, in mm, of attached plate of the stiffener considered as given in **Ch 3, Sec 3**.

φ_w : Angle, in deg, as defined in **Figure 12**. φ_w is to be taken as 90 degrees if the angle is greater than or equal to 75 degrees.

1.4.4 Elastic net section modulus of stiffeners

The elastic net section modulus, Z , in cm^3 and the net moment of inertia, I , in cm^4 of stiffeners, in cm^3 , is to be taken as:

$$Z = Z_{stf} \sin \varphi_w$$

$$I = I_{st} \sin^2 \varphi_w$$

where:

Z_{stf} : Net section modulus of the stiffener, in cm^3 , considered perpendicular to its attached plate, i.e. with $\varphi_w = 90$ deg.

I_{st} : Net moment of inertia of the stiffener, in cm^4 , considered perpendicular to its attached plate, i.e. with $\varphi_w = 90$ deg.

φ_w : Angle, in deg, as defined in **Figure 12**. φ_w is to be taken as 90 degrees if the angle is greater than or equal to 75 degrees.

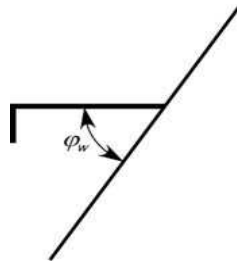


Figure 12 : Angle between stiffener web and attached plating

1.4.5 Effective net plastic shear area of stiffeners

The net plastic shear area, A_{shr-pl} of stiffeners, in cm^2 , which is used for assessment against impact loads is to be taken as:

$$A_{shr-pl} = A_{shr}$$

where:

A_{shr} : Net elastic shear area, in cm^2 , as defined in [1.4.2].

1.4.6 Effective net plastic section modulus of stiffeners (2023)

The effective net plastic section modulus, Z_{pl} , of stiffeners, in cm^3 , which is used for assessment against impact loads, is to be taken as:

for $75^\circ \leq \varphi_w \leq 90^\circ$

$$Z_{pl} = \frac{f_w h_w t_w (h_w + e_{pN})}{2000} + \frac{(2\gamma - 1) A_f (h_{f-ctr} + e_{pN})}{1000} + \frac{(h_w t_w + A_f) e_{pN}}{1000}$$

for $\varphi_w < 75^\circ$

$$Z_{pl} = \frac{f_w h_w t_w (h_w + e_{pN}) \sin \varphi_w}{2000} + \frac{(2\gamma - 1) A_f ((h_{f-ctr} + e_{pN}) \sin \varphi_w - b_{f-ctr} \cos \varphi_w)}{1000} + \frac{(h_w t_w + A_f) e_{pN}}{1000}$$

where

f_w : Web shear stress factor, taken equal to:

- $f_w = 0.75$ for flanged profile cross sections with $n = 1$ or 2
- $f_w = 1.0$ for flanged profile cross sections with $n = 0$
- $f_w = 1.0$ for flat bar stiffeners

n : Number of plastic hinges at end supports of each member, taken equal to: 0, 1 or 2.

A plastic hinge at end support may be considered where:

- The stiffener is continuous at the support.
- The stiffener passes through the support plate while it is connected at its termination point by a carling (or equivalent) to adjacent stiffeners.
- The stiffener is attached to an abutting stiffener effective in bending (not a buckling stiffener).
- The stiffener is attached to a bracket effective in bending. The bracket is assumed to be effective in bending when it is attached to another stiffener (not a buckling stiffener).

h_w : Depth of stiffener web, in mm, taken equal to:

- For T, L (rolled and built-up) profiles and flat bar, as defined in **Ch 3, Sec 2, Figure 2**.
- For L2 and L3 profiles as defined in **Ch 3, Sec 2, Figure 3**.
- For bulb profiles, to be taken as defined in **[1.4.1]**.

γ : Coefficient equal to:

$$\gamma = \frac{\sqrt{3+2\beta}}{2}$$

e_{pN} : Coefficient taken equal to:

$$e_{pN} = \frac{(A_f + h_w t_w)}{2s} \leq \frac{t_p}{2}$$

β : Coefficient equal to:

- For L profiles without a mid-span tripping bracket:

$$\beta = \frac{t_w^2 f_b t_{shr}^2}{80 b_f^2 t_f h_{f-ctr}} 10^6 + \frac{t_w}{2b_f}$$

Without being taken greater than 0.5.

- For other cases:

$$\beta = 0.5$$

A_f : Net cross sectional area of flange, in mm²:

- $A_f = 0$ for flat bar stiffeners.
- $A_f = b_f t_f$ for other stiffeners.

b_{f-ctr} : Distance from mid thickness of stiffener web to the centre of the flange area:

- $b_{f-ctr} = 0.5(b_f - t_{wr})$ for rolled angle profiles and bulb profiles.
- $b_{f-ctr} = 0$ for T profiles.

h_{f-ctr} : Height of stiffener measured to the mid thickness of the flange:

- $h_{f-ctr} = h_w + 0.5t_f$ for profiles with flange of rectangular shape except for L3 profiles.
- $h_{f-ctr} = h_{stf} - d_e - 0.5t_f$ for L3 profiles as defined in **Ch 3, Sec 2, Figure 3**.

d_e : Distance from upper edge of web to the top of the flange, in mm, for L3 profiles, see **Ch 3, Sec 2, Figure 3**.

f_b : Coefficient taken equal to:

- $f_b = 0.8$ for flanges continuous through the primary supporting member, with end bracket(s).
- $f_b = 0.7$ for flanges sniped at the primary supporting member or terminated at the support without aligned structure on the other side of the support, and with end bracket(s).
- $f_b = 1.0$ for other stiffeners.

t_f : Net flange thickness, in mm.

- $t_f = 0$ for flat bar stiffeners.
- For bulb profiles t_f is defined in [1.4.1].

1.4.7 Primary supporting member web not perpendicular to attached plating

Where the primary supporting member web is not perpendicular to the attached plating, the actual net shear area, in cm^2 , and the actual net section modulus, in cm^3 , can be obtained from the following formulae:

a) Actual net shear area:

$$A_{sh-n50} = A_{sh-0-n50} \sin\varphi_w \quad \text{for } \varphi_w < 75^\circ$$

$$A_{sh-n50} = A_{sh-0-n50} \quad \text{for } 75^\circ \leq \varphi_w \leq 90^\circ$$

b) Actual net section modulus:

$$Z_{n50} = Z_{perp-n50} \sin\varphi_w \quad \text{for } \varphi_w < 75^\circ$$

$$Z_{n50} = Z_{perp-n50} \quad \text{for } 75^\circ \leq \varphi_w \leq 90^\circ$$

where:

$A_{sh-0-n50}$: Actual net shear area, in cm^2 , of the primary supporting member assumed to be perpendicular to the attached plating, to be taken equal to:

$$A_{sh-0-n50} = (h_w + t_{f-n50} + t_{p-n50}) t_{w-n50} 10^{-2}$$

$Z_{perp-n50}$: Actual section modulus, in cm^3 , with its attached plating of the primary supporting member assumed to be perpendicular to the attached plating.

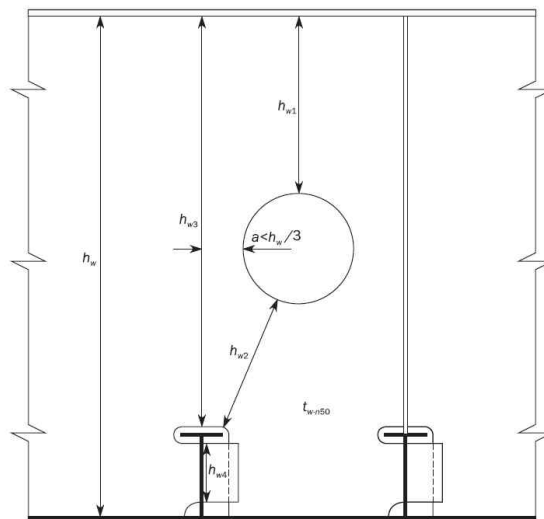


Figure 13: Effective shear area in way of web openings

1.4.8 Shear area of primary supporting members with web openings

The effective web height, h_{eff} , in mm, to be considered for calculating the effective net shear area, A_{sh-n50} is to be taken as the lesser of:

$$h_{eff} = h_w$$

$$h_{eff} = h_{w3} + h_{w4}$$

$$h_{eff} = h_{w1} + h_{w2} + h_{w4}$$

where:

h_w : Web height of primary supporting member, in mm.

$h_{w1}, h_{w2}, h_{w3}, h_{w4}$: Dimensions as shown in **Figure 13**.

where an opening is located at a distance less than $h_w/3$ from the cross-section considered, h_{eff} is to be taken as the smaller of the net height and the net distance through the opening. See **Figure 13**.

2. Plates

2.1 Idealisation of EPP

2.1.1 EPP

An elementary plate panel (EPP) is the unstiffened part of the plating between stiffeners and/or primary supporting members. The plate panel length, a , and breadth, b , of the EPP are defined respectively as the longest and shortest plate edges, as shown in **Figure 14**.

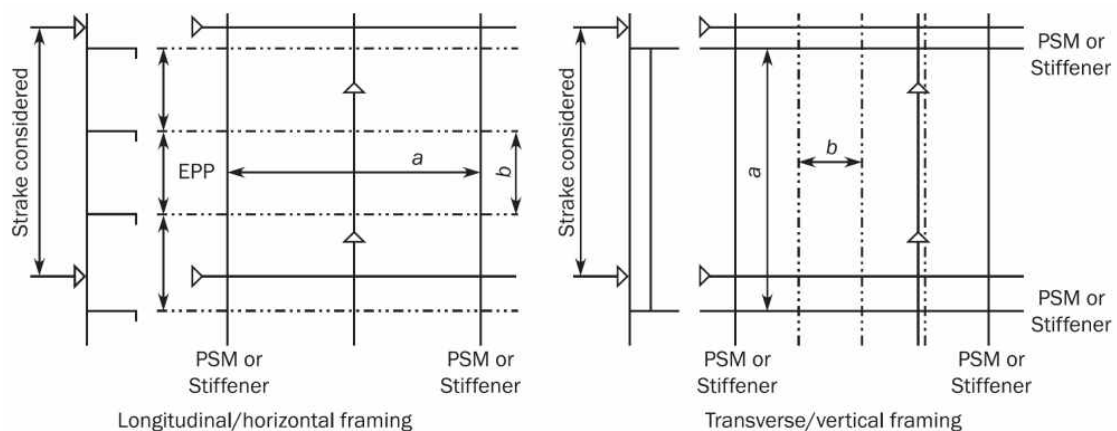


Figure 14 : Elementary Plate Panel (EPP) definition

2.1.2 Strake required thickness

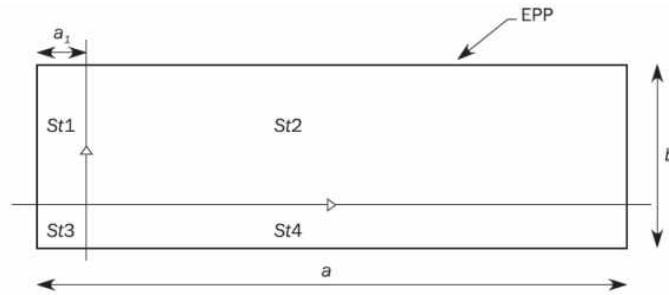
The required thickness of a plate strake is to be taken as the greatest value required for each EPP within that strake. The requirements given in **Table 1** are to be applied for the selection of strakes to be considered as shown in **Figure 15**. The maximum corrosion addition within a strake is to be applied according to **Ch 3, Sec 3, [1.2.3]**.

2.1.3

For direct strength assessment, the EPP is idealised with the mesh arrangement in the finite element model.

Table 1 : Strake considered in a given EPP

| | $a/b > 2$ | $a/b \leq 2$ |
|----------------|----------------------------------|----------------------------------|
| $a_1 > b/2$ | All strakes (St1, St2, St3, St4) | All strakes (St1, St2, St3, St4) |
| $a_1 \leq b/2$ | Strakes St2 and St4 | All strakes (St1, St2, St3, St4) |



a_1 : Distance, in mm, measured inside the considered strake in the direction of the long edge of the EPP, between the strake boundary weld seam and the EPP edge.

Figure 15 : Strake considered in a given EPP

2.2 Load calculation point

2.2.1 Yielding

For the yielding check, the local pressure and hull girder stress, used for the calculation of the local scantling requirements are to be taken at the Load Calculation Point (LCP) having coordinates x , y and z as defined in Table 2.

Table 2 : LCP coordinates for yielding

| LCP coordinates | General ⁽¹⁾ | | Horizontal plating | | Vertical transverse structure | |
|-----------------|--|--|-------------------------------------|--------------------|--|--|
| | Longitudinal framing (Figure 16) | Transverse framing (Figure 17) | Longitudinal framing | Transverse framing | Horizontal framing (Figure 18) | Vertical framing (Figure 19) |
| x coordinate | Mid-length of the EPP | | Mid-length of the EPP | | Corresponding to y and z values | |
| y coordinate | Corresponding to x and z coordinates | | Outboard y value of the EPP | | Outboard y value of the EPP, taken at z level ⁽²⁾ | |
| z coordinate | Lower edge of the EPP | The greater of lower edge of the EPP or lower edge of the strake | Corresponding to x and y values | | Lower edge of the EPP | The greater of lower edge of the EPP or lower edge of the strake |

⁽¹⁾ All structures other than horizontal platings or vertical transverse structures
⁽²⁾ For transom plate, the y coordinate of the load calculation point is to be taken corresponding to y value at side shell at z level of the load calculation point, for the external dynamic pressure calculation.

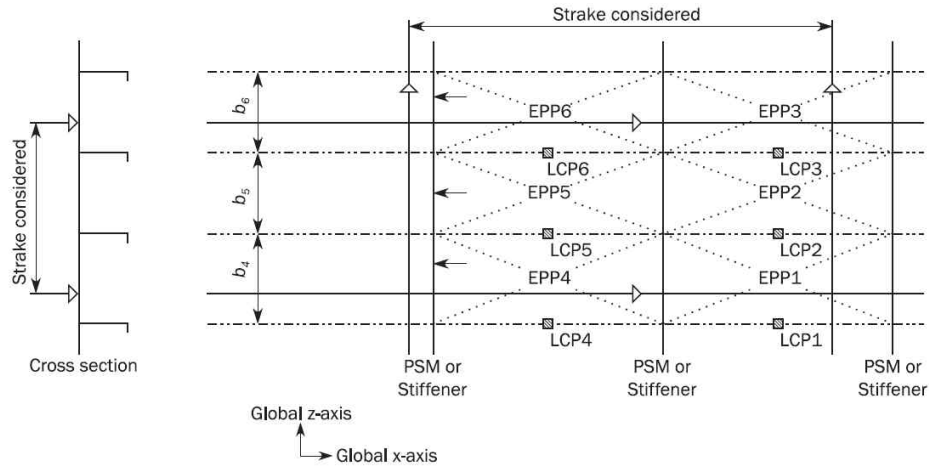


Figure 16 : Load calculation point for longitudinal framing

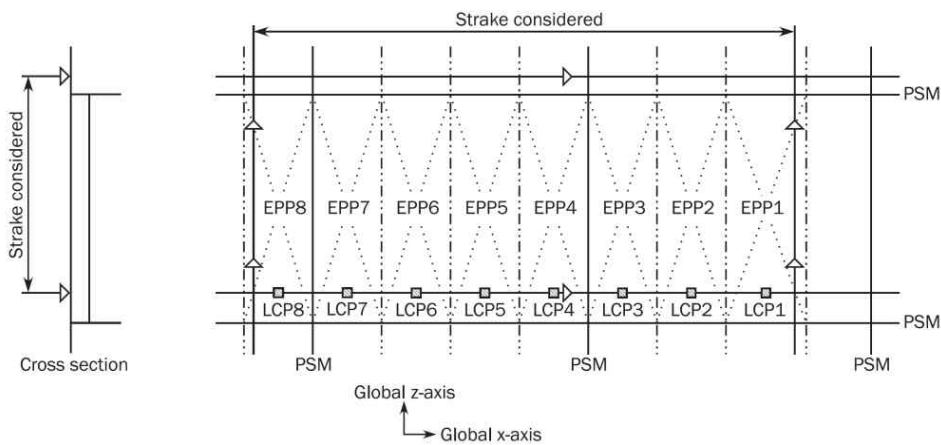


Figure 17 : Load calculation point for transverse framing

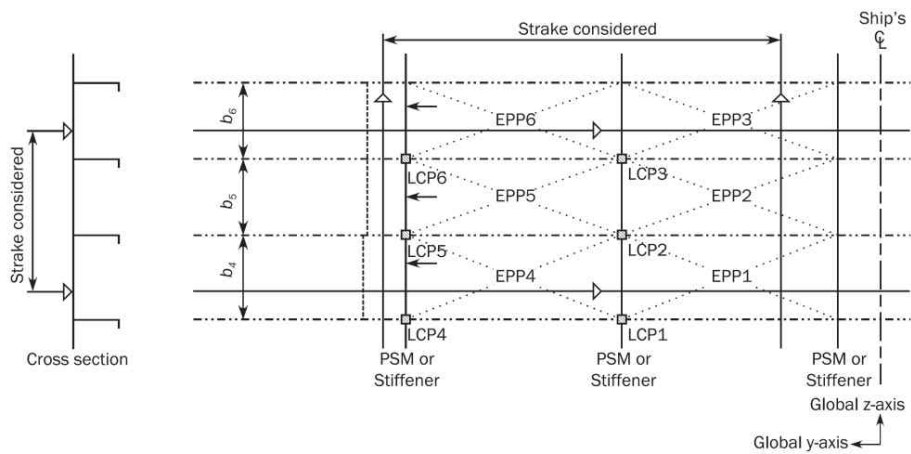


Figure 18 : Load calculation point for horizontal framing on transverse vertical structure

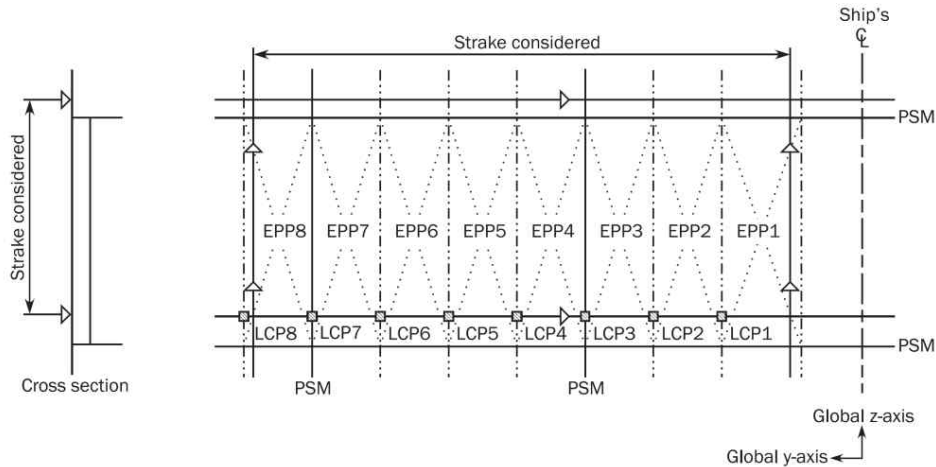


Figure 19 : Load calculation point for vertical framing on transverse vertical structure

2.2.2 Buckling

For the prescriptive buckling check of the EPP according to **Ch 8, Sec 2**, the LCP for the pressure and for the hull girder stresses are defined in **Table 3**. For the FE buckling check, **Ch 8, Sec 4** is applicable.

Table 3 : LCP coordinates for plate buckling

| LCP coordinates | LCP for pressure | LCP for hull girder stresses (Figure 20) | | |
|-----------------|--|---|---|----------------------------|
| | | Bending stresses ⁽¹⁾ | | Shear stresses |
| | | Non horizontal plate | Horizontal plate | |
| x coordinate | Same coordinates as LCP for yielding See Table 2 | Mid-length of the EPP | | |
| y coordinate | | Corresponding to x and z values | Outboard and inboard ends of the EPP (points A1 and A2) | Mid-point of EPP (point B) |
| z coordinate | | Both upper and lower ends of the EPP (points A1 and A2) | Corresponding to x and y values | |

⁽¹⁾ The bending stress for curved plate panel is the mean value of the stresses calculated at points A1 and A2.

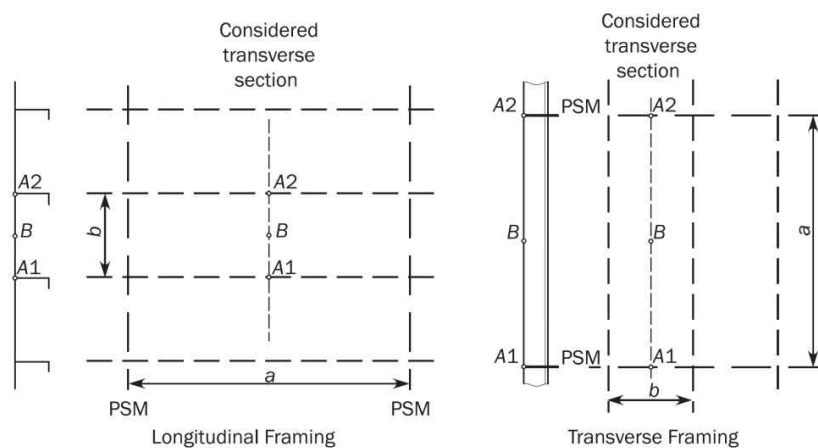


Figure 20 : LCP for plate buckling - hull girder stresses

3. Stiffeners

3.1 Reference point

3.1.1

The requirements of section modulus for stiffeners relate to the reference point giving the minimum section modulus. This reference point is generally located as shown in **Figure 21** for typical profiles.

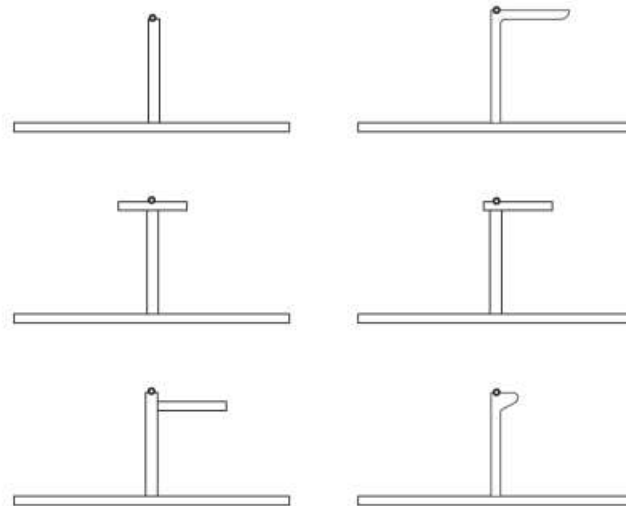


Figure 21 : Reference point for calculation of section modulus and hull girder stress for local scantling assessment

3.2 Load calculation points

3.2.1 LCP for Pressure

The load calculation point for the pressure is located at:

- a) Middle of the full length, ℓ , of the considered stiffener.
- b) The intersection point between the stiffener and its attached plate.

For stiffeners located on transom plate, the y coordinate of the load calculation point is to be taken corresponding to y value at side shell at z level of the load calculation point, for the external dynamic pressure calculation.

3.2.2 LCP for hull girder bending stress

The load calculation point for the hull girder bending stresses is defined as follows:

- a) For yielding verification according **Ch 6**:
 - At the middle of the full length, ℓ , of the considered stiffener.
 - At the reference point given in **Figure 21**.
- b) For prescriptive buckling requirements according to **Ch 8**:
 - At the middle of the full length, ℓ , of the considered stiffener.
 - At the intersection point between the stiffener and its attached plate.

3.2.3 Non-horizontal stiffeners

The lateral pressure (considering the pressure by IGC code, P_{IGC} in case of cargo tank support structures), P is to be calculated as the maximum between the value obtained at middle of the full length, ℓ , and the value obtained from the following formulae:

- a) when the upper end of the vertical stiffener is below the lowest zero pressure level.

$$P = \frac{P_u + P_L}{2}$$

b) when the upper end of the vertical stiffener is at or above the lowest zero pressure level, see **Figure 22**.

$$P = \frac{\ell_1}{\ell} \frac{P_L}{2}$$

where:

ℓ_1 : Distance, in m, between the lower end of vertical stiffener and the lowest zero pressure level.

P_u : Lateral pressures at the upper end of the vertical stiffener span ℓ .

P_L : Lateral pressures at the lower end of the vertical stiffener span ℓ .

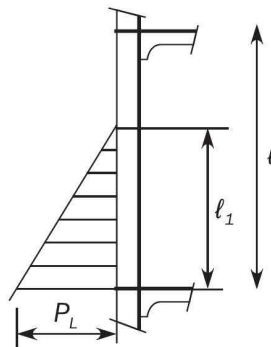


Figure 22 : Definition of pressure for vertical stiffeners

4. Primary Support Members

4.1 Load calculation point

4.1.1

The load calculation point is located at the middle of the full length, ℓ , at the attachment point of the primary supporting member with its attached plate. For primary supporting members located on transom plate, the y coordinate of the load calculation point is to be taken corresponding to y value at side shell at z level of load calculation point for the external dynamic pressure calculation.

Chapter 4

Loads

- Section 1 Introduction
- Section 2 Dynamic Load Cases
- Section 3 Ship Motions and Accelerations
- Section 4 Hull Girder Loads
- Section 5 External Loads
- Section 6 Internal Loads
- Section 7 Design Load Scenarios

Section 1 – Introduction

Symbols

For symbols not defined in this section, refer to **Ch 1, Sec 4**.

S : Static load case

$S+D$: Static plus dynamic load case

1. General

1.1 Application

1.1.1 Scope

This chapter provides the design load for strength and fatigue assessments.

The load combinations are to be derived for the design load scenarios specified in **Ch 4, Sec 7**. This section uses the concept of design load scenarios to specify consistent design load sets which cover the appropriate operating modes.

1.1.2 Equivalent Design Wave EDW

The dynamic loads associated with each dynamic load case are based on the Equivalent Design Wave (EDW) concept. The EDW concept applies a consistent set of dynamic loads to the ship such that specified dominant load response is equivalent to the required long term response value.

1.1.3 Probability level for strength and fatigue assessments

In this chapter, the assessments are to be understood as follows:

- a) Strength assessment means the assessment for the strength criteria excluding fatigue, for the loads corresponding to the probability level of 10^{-8} , for the seagoing conditions and for harbour conditions.
- b) Fatigue assessment means the assessment for the fatigue criteria for the loads corresponding to the probability level of 10^{-2} .

1.1.4 Dynamic load components

All dynamic load components are to be concurrent values calculated for each dynamic load case.

1.1.5 Loads for strength assessment

The strength assessment is to be undertaken for all design load scenarios and the final assessment is to be made on the most onerous strength requirement.

Each design load scenario for strength assessment is composed of a Static (S) load case or a Static + Dynamic (S+D) load case, where the static and dynamic loads are dependent on the loading condition being considered.

The static loads are defined in the following sections:

- a) Still water hull girder loads in **Ch 4, Sec 4**.
- b) External loads in **Ch 4, Sec 5**.
- c) Internal loads in **Ch 4, Sec 6**.

The EDWs for the strength assessment and the dynamic load combination factors for global loads are listed in **Ch 4, Sec 2, [2]**.

The dynamic load components are defined in the following sections:

- a) Dynamic hull girder load components in **Ch 4, Sec 4**.
- b) External loads in **Ch 4, Sec 5**.
- c) Internal loads in **Ch 4, Sec 6**.

1.1.6 Loads for fatigue assessment

Each design load scenario for fatigue assessment is composed of a Static + Dynamic (S+D) load case, where the static and dynamic loads are dependent on the loading condition being considered.

The static loads are defined in the following sections:

- a) Still water hull girder loads in **Ch 4, Sec 4**.
- b) External loads in **Ch 4, Sec 5**.
- c) Internal loads in **Ch 4, Sec 6**.

The EDWs for the fatigue assessment are listed in **Ch 4, Sec 2, [3]**.

The dynamic load components are defined in the following sections:

- a) Dynamic hull girder load components in **Ch 4, Sec 4**.
- b) External loads in **Ch 4, Sec 5**.
- c) Internal loads in **Ch 4, Sec 6**.

1.2 Definitions

1.2.1 Coordinate system

The coordinate system is defined in **Ch 1, Sec 4, [3.5.1]**.

1.2.2 Sign convention for ship motions

The ship motions are defined with respect to the ship's centre of gravity (COG) as shown in **Figure 1**, where:

- a) Positive surge is translation in the X -axis direction (positive forward).
- b) Positive sway is translation in the Y -axis direction (positive towards port side of ship).
- c) Positive heave is translation in the Z -axis direction (positive upwards).
- d) Positive roll motion is positive rotation about a longitudinal axis through the COG (starboard down and port up).
- e) Positive pitch motion is positive rotation about a transverse axis through the COG (bow down and stern up).
- f) Positive yaw motion is positive rotation about a vertical axis through the COG (bow moving to port and stern to starboard).

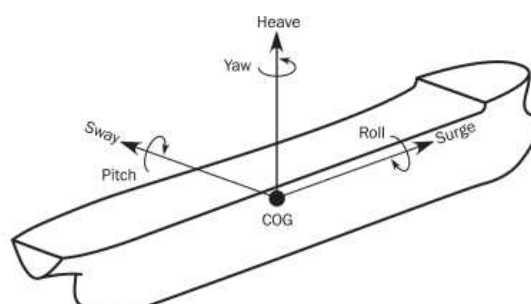


Figure 1 : Definition of positive motions

1.2.3 Sign convention for hull girder loads

The sign conventions of vertical bending moments, vertical shear forces, horizontal bending moments and torsional moments at any ship transverse section are as shown in **Figure 2**, namely:

- The vertical bending moments M_{sw} and M_{wv} are positive when they induce tensile stresses in the strength deck (hogging bending moment) and negative when they induce tensile stresses in the bottom (sagging bending moment).
- The vertical shear forces Q_{sw}, Q_{wv} are positive in the case of downward resulting forces acting aft of the transverse section and upward resulting forces acting forward of the transverse section under consideration.
- The horizontal bending moment M_{wh} is positive when it induces tensile stresses in the starboard side and negative when it induces tensile stresses in the port side.
- The torsional moment M_{wt} is positive in the case of resulting moment acting aft of the transverse section following negative rotation around the X -axis, and of resulting moment acting forward of the transverse section following positive rotation around the X -axis.

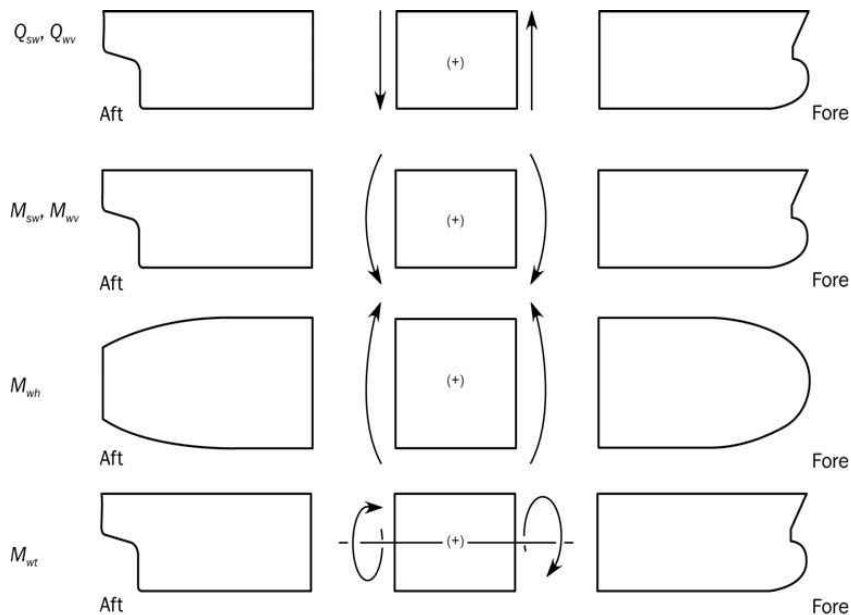


Figure 1 : Sign conventions for shear forces Q_{sw}, Q_{wv} and bending moments M_{sw}, M_{wv}, M_{wh} and M_{wt}

Section 2 – Dynamic load cases

Symbols

For symbols not defined in this section, refer to **Ch 1, Sec 4**.

a_{surge} , $a_{pitch-x}$, a_{sway} , a_{roll-y} , a_{heave} , a_{roll-z} , $a_{pitch-z}$: Acceleration components, as defined in **Ch 4, Sec 3**.

f_{xL} : Ratio between X -coordinate of the load point and L , to be taken as:

$$f_{xL} = \frac{x}{L}, \text{ but not to be taken less than 0.0 or greater than 1.0.}$$

f_T : Ratio between draught at a loading condition and scantling draught, as defined in **Ch 4, Sec 3**.

f_{lp} : Factor depending on longitudinal position along the ship, to be taken as:

$$f_{lp} = 1.0 \text{ for } x/L \leq 0.5$$

$$f_{lp} = -1.0 \text{ for } 0.5 < x/L$$

f_{lp-OST} : Factor for the longitudinal distribution of the torsional moment for the OST load case, to be taken as:

$$f_{lp-OST} = 5f_{xL} \quad \text{for } x/L < 0.2$$

$$f_{lp-OST} = 1.0 \quad \text{for } 0.2 \leq x/L < 0.4$$

$$f_{lp-OST} = -7.6f_{xL} + 4.04 \quad \text{for } 0.4 \leq x/L < 0.65$$

$$f_{lp-OST} = -0.9 \quad \text{for } 0.65 \leq x/L < 0.85$$

$$f_{lp-OST} = 6f_{xL} - 6 \quad \text{for } 0.85 \leq x/L$$

f_{lp-OSA} : Factor for the longitudinal distribution of the torsional moment for the OSA load case, to be taken as:

$$f_{lp-OSA} = -(0.8 - 0.25f_T) \quad \text{for } x/L < 0.4$$

$$f_{lp-OSA} = 1.3(0.2 + 0.3f_T) \quad \text{for } 0.6 \leq x/L$$

Intermediate values are obtained by linear interpolation.

WS : Weather side, side of the ship exposed to the incoming waves.

LS : Lee side, sheltered side of the ship away from the incoming waves.

M_{wv} : Vertical wave bending moment, in kNm, defined in **Ch 4, Sec 4**.

Q_{wv} : Vertical wave shear force, in kN, defined in **Ch 4, Sec 4**.

M_{wh} : Horizontal wave bending moment, in kNm, defined in **Ch 4, Sec 4**.

M_{wt} : Torsional wave bending moment, in kNm, defined in **Ch 4, Sec 4**.

C_{WV} : Load combination factor to be applied to the vertical wave bending moment.

C_{QV} : Load combination factor to be applied to the vertical wave shear force.

C_{WH} : Load combination factor to be applied to the horizontal wave bending moment.

C_{WT} : Load combination factor to be applied to the wave torsional moment.

C_{XS} : Load combination factor to be applied to the surge acceleration.

C_{XP} : Load combination factor to be applied to the longitudinal acceleration due to pitch.

- C_{XG} : Load combination factor to be applied to the longitudinal acceleration due to pitch motion.
- C_{YS} : Load combination factor to be applied to the sway acceleration.
- C_{YR} : Load combination factor to be applied to the transverse acceleration due to roll.
- C_{YG} : Load combination factor to be applied to the transverse acceleration due to roll motion.
- C_{ZH} : Load combination factor to be applied to the heave acceleration.
- C_{ZR} : Load combination factor to be applied to the vertical acceleration due to roll.
- C_{ZP} : Load combination factor to be applied to the vertical acceleration due to pitch.
- θ : Roll angle, in deg, as defined in **Ch 4, Sec 3, [2.1.1]**.
- ϕ : Pitch angle, in deg, as defined in **Ch 4, Sec 3, [2.1.2]**.

1. General

1.1 Definition of dynamic load cases

1.1.1

The following Equivalent Design Waves (EDW) are to be used to generate the dynamic load cases for structural assessment:

a) HSM load cases :

HSM-1 and HSM-2: Head sea EDWs that minimise and maximise the vertical wave bending moment amidships respectively.

b) HSA load cases:

HSA-1 and HSA-2: Head sea EDWs that maximise and minimise the head sea vertical acceleration at FP respectively.

c) FSM load cases:

FSM-1 and FSM-2: Following sea EDWs that minimise and maximise the vertical wave bending moment amidships respectively.

d) BSR load cases:

BSR-1P and BSR-2P: Beam sea EDWs that minimise and maximise the roll motion downward and upward on the port side respectively with waves from the port side.

BSR-1S and BSR-2S: Beam sea EDWs that maximise and minimise the roll motion downward and upward on the starboard side respectively with waves from the starboard side.

e) BSP load cases:

BSP-1P and BSP-2P: Beam sea EDWs that maximise and minimise the hydrodynamic pressure at the waterline amidships on the port side respectively.

BSP-1S and BSP-2S: Beam sea EDWs that maximise and minimise the hydrodynamic pressure at the waterline amidships on the starboard side respectively.

f) OST load cases:

OST-1P and OST-2P: Oblique sea EDWs that minimise and maximise the torsional moment at 0.25L from the AE with waves from the port side respectively.

OST-1S and OST-2S: Oblique sea EDWs that maximise and minimise the torsional moment at 0.25L from the AE with waves from the starboard side respectively.

g) OSA load cases:

OSA-1P and OSA-2P: Oblique sea EDWs that maximise and minimise the pitch acceleration with

waves from the port side respectively.

OSA-1S and OSA-2S: Oblique sea EDWs that maximise and minimise the pitch acceleration with waves from the starboard side respectively.

Note 1: 1 and 2 denote the maximum or the minimum dominate load component for each EDW.

Note 2: P and S denote that the weather side is on port side and on starboard side respectively.

HSA and OSA load cases are not to be used for fatigue assessment.

1.2 Application

1.2.1

The dynamic load cases described in this section are to be used for determining the dynamic loads required by the design load scenarios described in **Ch 4, Sec 7**. These dynamic load cases are to be applied to the following structural assessments:

- a) Strength assessment :
 - For plating, ordinary stiffeners and primary supporting members by prescriptive methods.
 - For the direct strength method (FE analysis) assessment of structural members.
- b) Fatigue assessment :
 - For structural details covered by simplified stress analysis.
 - For structural details covered by FE stress analysis.

2. Dynamic load cases for strength assessment

2.1 Description of dynamic load cases

2.1.1

Table 1 to **Table 3** describe the ship motions responses and the global loads corresponding to each dynamic load case to be considered for the strength assessment.

Table 2 : Ship responses for HSM, HSA and FSM load cases – Strength assessment

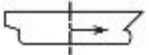
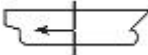
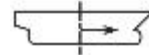



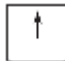




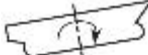

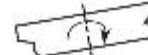


| Loadcase | HSM-1 | HSM-2 | HSA-1 | HSA-2 | FSM-1 | FSM-2 |
|-------------|---|---|---|--|---|---|
| EDW | HSM | | HSA | | FSM | |
| Heading | Head | | Head | | Following | |
| Effect | Max. bending moment | | Max. vertical acceleration | | Max. bending moment | |
| VWBM | Sagging | Hogging | Sagging | Hogging | Sagging | Hogging |
| VWSF | Negative-aft Positive-fore | Positive-aft Negative-fore | Negative-aft Positive-fore | Positive-aft Negative-fore | Negative-aft Positive-fore | Positive-aft Negative-fore |
| HWBM | - | - | - | - | - | - |
| TM | - | - | - | - | - | - |
| Surge | To stern | To bow | To stern | To bow | - | - |
| a_{surge} |  |  |  |  | - | - |
| Sway | - | - | - | - | - | - |
| a_{sway} | - | - | - | - | - | - |
| Heave | Down | Up | Down | Up | Down | Up |
| a_{heave} |  |  |  |  |  |  |
| Roll | - | - | - | - | - | - |
| a_{roll} | - | - | - | - | - | - |
| Pitch | Bow down | Bow up | Bow down | Bow up | Bow down | Bow up |
| a_{pitch} |  |  |  |  |  |  |

Table 3 : Ship responses for BSR and BSP load cases – Strength assessment


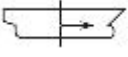

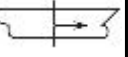
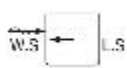
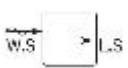
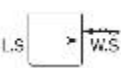
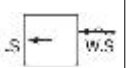
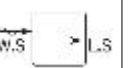
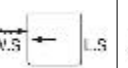
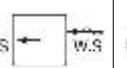
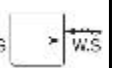
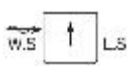
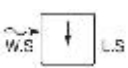
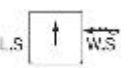
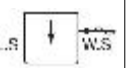
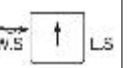
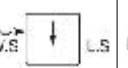
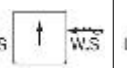

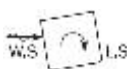


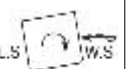


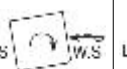
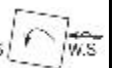
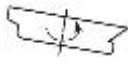
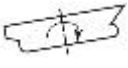
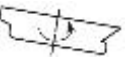
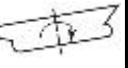
| Loadcase | BSR-1P | BSR-2P | BSR-1S | BSR-2S | BSP-1P | BSP-2P | BSP-1S | BSP-2S |
|-------------|---|---|---|---|--|---|---|---|
| EDW | BSR | | | | BSP | | | |
| Heading | Beam | | | | Beam | | | |
| Effect | Max. roll | | | | Max. pressure at waterline | | | |
| VWBM | Sagging | Hogging | Sagging | Hogging | Sagging | Hogging | Sagging | Hogging |
| VWSF | Negative-aft Positive-fore | Positive-aft Negative-fore | Negative-aft Positive-fore | Positive-aft Negative-fore | Negative-aft Positive-fore | Positive-aft Negative-fore | Negative-aft Positive-fore | Positive-aft Negative-fore |
| HWBM | Stbd tensile | Port tensile | Port tensile | Stbd tensile | Stbd tensile | Port tensile | Port tensile | Stbd tensile |
| TM | - | - | - | - | - | - | - | - |
| Surge | - | - | - | - | To bow | To stern | To bow | To stern |
| a_{surge} | - | - | - | - |  |  |  |  |
| Sway | To starboard | To Portside | To Portside | To starboard | To Portside | To starboard | To starboard | To Portside |
| a_{sway} |  |  |  |  |  |  |  |  |
| Heave | Down | Up | Down | Up | Down | Up | Down | Up |
| a_{heave} |  |  |  |  |  |  |  |  |
| Roll | Portside down | Portside up | Starboard down | Starboard up | Portside up | Portside down | Starboard up | Starboard down |
| a_{roll} |  |  |  |  |  |  |  |  |
| Pitch | - | - | - | - | Bow down | Bow up | Bow down | Bow up |
| a_{pitch} | - | - | - | - |  |  |  |  |

Table 4 : Ship responses for OST and OSA load cases – Strength assessment

| Loadcase | OST-1P | OST-2P | OST-1S | OST-2S | OSA-1P | OSA-2P | OSA-1S | OSA-2S |
|-------------|-------------------------------|-------------------------------|-------------------------------|-------------------------------|-------------------------------|-------------------------------|-------------------------------|-------------------------------|
| EDW | OST | | | | OSA | | | |
| Heading | Oblique | | | | Oblique | | | |
| Effect | Max. torsional moment | | | | Max. pitch acceleration | | | |
| VWBM | Sagging | Hogging | Sagging | Hogging | Hogging | Sagging | Hogging | Sagging |
| VWSF | Negative-aft Positive-fore | Positive-aft Negative-fore | Negative-aft Positive-fore | Positive-aft Negative-fore | Positive-aft Negative-fore | Negative-aft Positive-fore | Positive-aft Negative-fore | Negative-aft Positive-fore |
| HWBM | Port tensile | Stbd tensile | Stbd tensile | Port tensile | Stbd tensile | Port tensile | Port tensile | Stbd tensile |
| TM | | | | | | | | |
| Surge | To bow | To stern | To bow | To stern | To bow | To stern | To bow | To stern |
| a_{surge} | | | | | | | | |
| Sway | - | - | - | - | To portside | To starboard | To starboard | To portside |
| a_{sway} | - | - | - | - | | | | |
| Heave | Up | Down | Up | Down | Up | Down | Up | Down |
| a_{heave} | | | | | | | | |
| Roll | Portside down | Portside up | Starboard down | Starboard up | Portside down | Portside up | Starboard down | Starboard up |
| a_{roll} | | | | | | | | |
| Pitch | Bow up | Bow down | Bow up | Bow down | Bow up | Bow down | Bow up | Bow down |
| a_{pitch} | | | | | | | | |

2.2 Load combination factors

2.2.1

The load combinations factors, LCFs for the global loads and inertia load components for strength assessment are defined in:

Table 4 : LCFs for HSM, HSA and FSM load cases.

Table 5 : LCFs for BSR and BSP load cases.

Table 6 : LCFs for OST and OSA load cases.

Table 5 : Load combination factors, LCFs for HSM, HSA and FSM load cases – Strength assessment

| Load component | | LCF | HSM-1 | HSM-2 | HSA-1 | HSA-2 | FSM-1 | FSM-2 |
|----------------------------|---------------|----------|-----------------|-----------------|-----------------|-----------------|------------------|-----------------|
| Hull girder loads | M_{wv} | C_{WV} | -1 | 1 | $0.4f_T - 1.2$ | $1.2 - 0.4f_T$ | -1 | 1 |
| | Q_{wv} | C_{QW} | $-f_{lp}$ | f_{lp} | $-f_{lp}$ | f_{lp} | $-(1 - 0.15f_T)$ | $(1 - 0.15f_T)$ |
| | M_{wh} | C_{WH} | 0 | 0 | 0 | 0 | 0 | 0 |
| | M_{wt} | C_{WT} | 0 | 0 | 0 | 0 | 0 | 0 |
| Longitudinal accelerations | a_{surge} | C_{XS} | $0.4 - 0.25f_T$ | $0.25f_T - 0.4$ | $1.05 - 0.7f_T$ | $0.7f_T - 1.05$ | 0 | 0 |
| | $a_{pitch-x}$ | C_{XP} | $0.15f_T - 0.7$ | $0.7 - 0.15f_T$ | -1 | 1 | -0.05 | 0.05 |
| | $gsin\phi$ | C_{XG} | 0.5 | -0.5 | 0.9 | -0.9 | 0.1 | -0.1 |
| Transverse accelerations | a_{sway} | C_{YS} | 0 | 0 | 0 | 0 | 0 | 0 |
| | a_{roll-y} | C_{YR} | 0 | 0 | 0 | 0 | 0 | 0 |
| | $gsin\theta$ | C_{YG} | 0 | 0 | 0 | 0 | 0 | 0 |
| Vertical accelerations | a_{heave} | C_{ZH} | $0.5f_T - 0.15$ | $0.15 - 0.5f_T$ | $0.4f_T$ | $-0.4f_T$ | 0.1 | -0.1 |
| | a_{roll-z} | C_{ZR} | 0 | 0 | 0 | 0 | 0 | 0 |
| | $a_{pitch-z}$ | C_{ZP} | $0.15f_T - 0.7$ | $0.7 - 0.15f_T$ | -1 | 1 | -0.05 | 0.05 |

Table 6 : Load combination factors, LCFs for BSR and BSP load cases – Strength assessment

| Load component | LCF | BSR-1P | BSR-2P | BSR-1S | BSR-2S | |
|----------------------------|---------------|----------|------------------------|------------------------|------------------------|------------------------|
| Hull girder loads | M_{wv} | C_{WV} | $0.2 - 0.3f_T$ | $0.3f_T - 0.2$ | $0.2 - 0.3f_T$ | $0.3f_T - 0.2$ |
| | Q_{wv} | C_{QW} | $(0.2 - 0.3f_T)f_{lp}$ | $(0.3f_T - 0.2)f_{lp}$ | $(0.2 - 0.3f_T)f_{lp}$ | $(0.3f_T - 0.2)f_{lp}$ |
| | M_{wh} | C_{WH} | $0.35 - 0.25f_T$ | $0.25f_T - 0.35$ | $0.25f_T - 0.35$ | $0.35 - 0.25f_T$ |
| | M_{wt} | C_{WT} | 0 | 0 | 0 | 0 |
| Longitudinal accelerations | a_{surge} | C_{XS} | 0 | 0 | 0 | 0 |
| | $a_{pitch-x}$ | C_{XP} | 0 | 0 | 0 | 0 |
| | $gsin\phi$ | C_{XG} | 0 | 0 | 0 | 0 |
| Transverse accelerations | a_{sway} | C_{YS} | $0.2 - 0.2f_T$ | $0.2f_T - 0.2$ | $0.2f_T - 0.2$ | $0.2 - 0.2f_T$ |
| | a_{roll-y} | C_{YR} | 1 | -1 | -1 | 1 |
| | $gsin\theta$ | C_{YG} | -1 | 1 | 1 | -1 |
| Vertical accelerations | a_{heave} | C_{ZH} | $0.85 - 0.55f_T$ | $0.55f_T - 0.85$ | $0.85 - 0.55f_T$ | $0.55f_T - 0.85$ |
| | a_{roll-z} | C_{ZR} | 1 | -1 | -1 | 1 |
| | $a_{pitch-z}$ | C_{ZP} | 0 | 0 | 0 | 0 |

| Load component | LCF | BSP-1P | BSP-2P | BSP-1S | BSP-2S | |
|----------------------------|---------------|----------|------------------------|------------------------|------------------------|------------------------|
| Hull girder loads | M_{wv} | C_{WV} | $0.5 - 0.8f_T$ | $0.8f_T - 0.5$ | $0.5 - 0.8f_T$ | $0.8f_T - 0.5$ |
| | Q_{wv} | C_{QW} | $(0.5 - 0.8f_T)f_{lp}$ | $(0.8f_T - 0.5)f_{lp}$ | $(0.5 - 0.8f_T)f_{lp}$ | $(0.8f_T - 0.5)f_{lp}$ |
| | M_{wh} | C_{WH} | $0.9 - 0.85f_T$ | $0.85f_T - 0.9$ | $0.85f_T - 0.9$ | $0.9 - 0.85f_T$ |
| | M_{wt} | C_{WT} | 0 | 0 | 0 | 0 |
| Longitudinal accelerations | a_{surge} | C_{XS} | $0.2 - 0.4f_T$ | $0.4f_T - 0.2$ | $0.2 - 0.4f_T$ | $0.4f_T - 0.2$ |
| | $a_{pitch-x}$ | C_{XP} | $0.1 - 0.15f_T$ | $0.15f_T - 0.1$ | $0.1 - 0.15f_T$ | $0.15f_T - 0.1$ |
| | $gsin\phi$ | C_{XG} | $0.15f_T - 0.1$ | $0.1 - 0.15f_T$ | $0.15f_T - 0.1$ | $0.1 - 0.15f_T$ |
| Transverse accelerations | a_{sway} | C_{YS} | $0.3f_T - 1.2$ | $1.2 - 0.3f_T$ | $1.2 - 0.3f_T$ | $0.3f_T - 1.2$ |
| | a_{roll-y} | C_{YR} | $1.2 - 1.15f_T$ | $1.15f_T - 1.2$ | $1.15f_T - 1.2$ | $1.2 - 1.15f_T$ |
| | $gsin\theta$ | C_{YG} | $0.4f_T - 0.45$ | $0.45 - 0.4f_T$ | $0.45 - 0.4f_T$ | $0.4f_T - 0.45$ |
| Vertical accelerations | a_{heave} | C_{ZH} | 1 | -1 | 1 | -1 |
| | a_{roll-z} | C_{ZR} | $1.2 - 1.15f_T$ | $1.15f_T - 1.2$ | $1.15f_T - 1.2$ | $1.2 - 1.15f_T$ |
| | $a_{pitch-z}$ | C_{ZP} | $0.1 - 0.15f_T$ | $0.15f_T - 0.1$ | $0.1 - 0.15f_T$ | $0.15f_T - 0.1$ |

Table 7 : Load combination factors, LCFs for OST and OSA load cases – Strength assessment

| Load component | | LCF | OST-1P | OST-2P | OST-1S | OST-2S |
|----------------------------|---------------|----------|------------------------|------------------------|------------------------|------------------------|
| Hull girder loads | M_{wv} | C_{WV} | - 0.55 | 0.55 | - 0.55 | 0.55 |
| | Q_{wv} | C_{QW} | $(0.4f_T - 0.7)f_{lp}$ | $(0.7 - 0.4f_T)f_{lp}$ | $(0.4f_T - 0.7)f_{lp}$ | $(0.7 - 0.4f_T)f_{lp}$ |
| | M_{wh} | C_{WH} | - 1 | 1 | 1 | - 1 |
| | M_{wt} | C_{WT} | $-f_{lp-OST}$ | f_{lp-OST} | f_{lp-OST} | $-f_{lp-OST}$ |
| Longitudinal accelerations | a_{surge} | C_{XS} | $0.2f_T - 0.5$ | $0.5 - 0.2f_T$ | $0.2f_T - 0.5$ | $0.5 - 0.2f_T$ |
| | $a_{pitch-x}$ | C_{XP} | $1.25 - 0.5f_T$ | $0.5f_T - 1.25$ | $1.25 - 0.5f_T$ | $0.5f_T - 1.25$ |
| | $gsin\phi$ | C_{XG} | $0.35f_T - 0.85$ | $0.85 - 0.35f_T$ | $0.35f_T - 0.85$ | $0.85 - 0.35f_T$ |
| Transverse accelerations | a_{sway} | C_{YS} | 0 | 0 | 0 | 0 |
| | a_{roll-y} | C_{YR} | $f_T - 0.7$ | $0.7 - f_T$ | $0.7 - f_T$ | $f_T - 0.7$ |
| | $gsin\theta$ | C_{YG} | $0.25 - 0.35f_T$ | $0.35f_T - 0.25$ | $0.35f_T - 0.25$ | $0.25 - 0.35f_T$ |
| Vertical accelerations | a_{heave} | C_{ZH} | $0.25 - 0.45f_T$ | $0.45f_T - 0.25$ | $0.25 - 0.45f_T$ | $0.45f_T - 0.25$ |
| | a_{roll-z} | C_{ZR} | $f_T - 0.7$ | $0.7 - f_T$ | $0.7 - f_T$ | $f_T - 0.7$ |
| | $a_{pitch-z}$ | C_{ZP} | $1.25 - 0.5f_T$ | $0.5f_T - 1.25$ | $1.25 - 0.5f_T$ | $0.5f_T - 1.25$ |

| Load component | | LCF | OSA-1P | OSA-2P | OSA-1S | OSA-2S |
|----------------------------|---------------|----------|-------------------------|-------------------------|-------------------------|-------------------------|
| Hull girder loads | M_{wv} | C_{WV} | $1 - 0.65f_T$ | $0.65f_T - 1$ | $1 - 0.65f_T$ | $0.65f_T - 1$ |
| | Q_{wv} | C_{QW} | $(0.7 - 0.25f_T)f_{lp}$ | $(0.25f_T - 0.7)f_{lp}$ | $(0.7 - 0.25f_T)f_{lp}$ | $(0.25f_T - 0.7)f_{lp}$ |
| | M_{wh} | C_{WH} | 0.7 | - 0.7 | - 0.7 | 0.7 |
| | M_{wt} | C_{WT} | $-f_{lp-OSA}$ | f_{lp-OSA} | f_{lp-OSA} | $-f_{lp-OSA}$ |
| Longitudinal accelerations | a_{surge} | C_{XS} | $0.15f_T - 0.35$ | $0.35 - 0.15f_T$ | $0.15f_T - 0.35$ | $0.35 - 0.15f_T$ |
| | $a_{pitch-x}$ | C_{XP} | 1 | - 1 | 1 | - 1 |
| | $gsin\phi$ | C_{XG} | - 1 | 1 | - 1 | 1 |
| Transverse accelerations | a_{sway} | C_{YS} | - 0.2 | 0.2 | 0.2 | - 0.2 |
| | a_{roll-y} | C_{YR} | $0.2 - 0.15f_T$ | $0.15f_T - 0.2$ | $0.15f_T - 0.2$ | $0.2 - 0.15f_T$ |
| | $gsin\theta$ | C_{YG} | 0 | 0 | 0 | 0 |
| Vertical accelerations | a_{heave} | C_{ZH} | $0.5f_T - 0.6$ | $0.6 - 0.5f_T$ | $0.5f_T - 0.6$ | $0.6 - 0.5f_T$ |
| | a_{roll-z} | C_{ZR} | $0.2 - 0.15f_T$ | $0.15f_T - 0.2$ | $0.15f_T - 0.2$ | $0.2 - 0.15f_T$ |
| | $a_{pitch-z}$ | C_{ZP} | 1 | - 1 | 1 | - 1 |

3. Dynamic load cases for fatigue assessment

3.1 Description of dynamic load cases

3.1.1

Table 7 to Table 9 describe the ship motions responses and the global loads corresponding to each dynamic load case to be considered for the fatigue assessment.

Table 8 : Ship responses for HSM and FSM load cases – Fatigue assessment

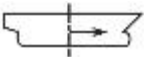
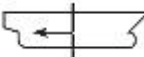





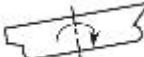

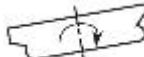
| Loadcase | HSM-1 | HSM-2 | FSM-1 | FSM-2 |
|-------------|---|---|--|---|
| EDW | HSM | | FSM | |
| Heading | Head | | Following | |
| Effect | Max. bending moment | | Max. bending moment | |
| VWBM | Sagging | Hogging | Sagging | Hogging |
| VWSF | Negative-aft Positive-fore | Positive-aft Negative-fore | Negative-aft Positive-fore | Positive-aft Negative-fore |
| HWBM | - | - | - | - |
| TM | - | - | - | - |
| Surge | To stern | To bow | - | - |
| a_{surge} |  |  | - | - |
| Sway | - | - | - | - |
| a_{sway} | - | - | - | - |
| Heave | Down | Up | Down | Up |
| a_{heave} |  |  |  |  |
| Roll | - | - | - | - |
| a_{roll} | - | - | - | - |
| Pitch | Bow down | Bow up | Bow down | Bow up |
| a_{pitch} |  |  |  |  |

Table 9 : Ship responses for BSR and BSP load cases – Fatigue assessment


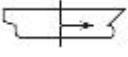

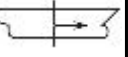
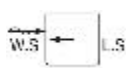
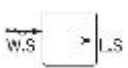
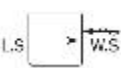
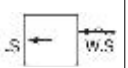
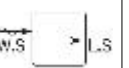
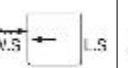
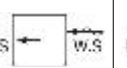
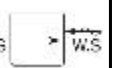
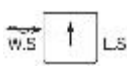
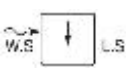
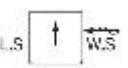
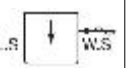
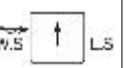
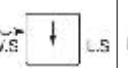
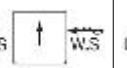

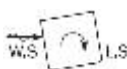


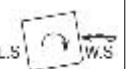


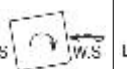
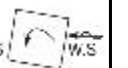
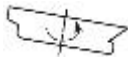
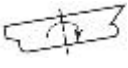
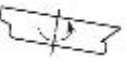
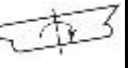





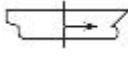
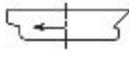
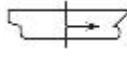
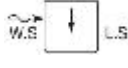
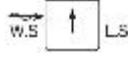
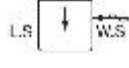
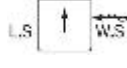
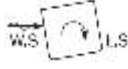



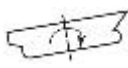
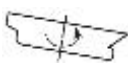
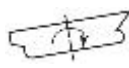
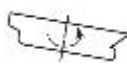
| Loadcase | BSR-1P | BSR-2P | BSR-1S | BSR-2S | BSP-1P | BSP-2P | BSP-1S | BSP-2S |
|-------------|---|---|---|---|--|---|---|---|
| EDW | BSR | | | | BSP | | | |
| Heading | Beam | | | | Beam | | | |
| Effect | Max. roll | | | | Max. pressure at waterline | | | |
| VWBM | Sagging | Hogging | Sagging | Hogging | Sagging | Hogging | Sagging | Hogging |
| VWSF | Negative-aft Positive-fore | Positive-aft Negative-fore | Negative-aft Positive-fore | Positive-aft Negative-fore | Negative-aft Positive-fore | Positive-aft Negative-fore | Negative-aft Positive-fore | Positive-aft Negative-fore |
| HWBM | Stbd tensile | Port tensile | Port tensile | Stbd tensile | Stbd tensile | Port tensile | Port tensile | Stbd tensile |
| TM | - | - | - | - | - | - | - | - |
| Surge | - | - | - | - | To bow | To stern | To bow | To stern |
| a_{surge} | - | - | - | - |  |  |  |  |
| Sway | To starboard | To Portside | To Portside | To starboard | To Portside | To starboard | To starboard | To Portside |
| a_{sway} |  |  |  |  |  |  |  |  |
| Heave | Down | Up | Down | Up | Down | Up | Down | Up |
| a_{heave} |  |  |  |  |  |  |  |  |
| Roll | Portside down | Portside up | Starboard down | Starboard up | Portside up | Portside down | Starboard up | Starboard down |
| a_{roll} |  |  |  |  |  |  |  |  |
| Pitch | - | - | - | - | Bow down | Bow up | Bow down | Bow up |
| a_{pitch} | - | - | - | - |  |  |  |  |

Table 10 : Ship responses for OST load cases – Fatigue assessment

| Loadcase | OST-1P | OST-2P | OST-1S | OST-2S |
|-------------|---|---|--|---|
| EDW | OST | | | |
| Heading | Oblique | | | |
| Effect | Max. torsional moment | | | |
| VWBM | Sagging | Hogging | Sagging | Hogging |
| VWSF | Negative-aft Positive-fore | Positive-aft Negative-fore | Negative-aft Positive-fore | Positive-aft Negative-fore |
| HWBM | Port tensile | Stbd tensile | Stbd tensile | Port tensile |
| TM |  |  |  |  |
| Surge | To bow | To stern | To bow | To stern |
| a_{surge} |  |  |  |  |
| Sway | - | - | - | - |
| a_{sway} | - | - | - | - |
| Heave | Up | Down | Up | Down |
| a_{heave} |  |  |  |  |
| Roll | Portside down | Portside up | Starboard down | Starboard up |
| a_{roll} |  |  |  |  |
| Pitch | Bow up | Bow down | Bow up | Bow down |
| a_{pitch} |  |  |  |  |

3.2 Load combination factors

3.2.1

The load combinations factors, LCFs for the global loads and inertia load components for fatigue assessment are defined in:

Table 10 : LCFs for HSM and FSM load cases.

Table 11 : LCFs for BSR and BSP load cases.

Table 12 : LCFs for OST load cases.

Table 11 : Load combination factors, LCFs for HSM and FSM load cases – Fatigue assessment

| Load component | | LCF | HSM-1 | HSM-2 | FSM-1 | FSM-2 |
|----------------------------|---------------|----------|------------------|------------------|---------------------------|--------------------------|
| Hull girder loads | M_{wv} | C_{WV} | -1 | 1 | -1 | 1 |
| | Q_{wv} | C_{QW} | $-f_{lp}$ | f_{lp} | $-(0.95 - 0.15f_T)f_{lp}$ | $(0.95 - 0.15f_T)f_{lp}$ |
| | M_{wh} | C_{WH} | 0 | 0 | 0 | 0 |
| | M_{wt} | C_{WT} | 0 | 0 | 0 | 0 |
| Longitudinal accelerations | a_{surge} | C_{XS} | $0.4 - 0.25f_T$ | $0.25f_T - 0.4$ | 0 | 0 |
| | $a_{pitch-x}$ | C_{XP} | $0.15f_T - 0.7$ | $0.7 - 0.15f_T$ | -0.05 | 0.05 |
| | $gsin\phi$ | C_{XG} | 0.5 | -0.5 | 0.1 | -0.1 |
| Transverse accelerations | a_{sway} | C_{YS} | 0 | 0 | 0 | 0 |
| | a_{roll-y} | C_{YR} | 0 | 0 | 0 | 0 |
| | $gsin\theta$ | C_{YG} | 0 | 0 | 0 | 0 |
| Vertical accelerations | a_{heave} | C_{ZH} | $0.45f_T - 0.15$ | $0.15 - 0.45f_T$ | 0.1 | -0.1 |
| | a_{roll-z} | C_{ZR} | 0 | 0 | 0 | 0 |
| | $a_{pitch-z}$ | C_{ZP} | $0.15f_T - 0.7$ | $0.7 - 0.15f_T$ | -0.05 | 0.05 |

Table 12 : Load combination factors, LCFs for BSR and BSP load cases – Fatigue assessment

| Load component | | LCF | BSR-1P | BSR-2P | BSR-1S | BSR-2S |
|----------------------------|---------------|----------|--------------------------|--------------------------|--------------------------|--------------------------|
| Hull girder loads | M_{wv} | C_{WV} | $0.25 - 0.25f_T$ | $0.25f_T - 0.25$ | $0.25 - 0.25f_T$ | $0.25f_T - 0.25$ |
| | Q_{wv} | C_{QW} | $(0.25 - 0.25f_T)f_{lp}$ | $(0.25f_T - 0.25)f_{lp}$ | $(0.25 - 0.25f_T)f_{lp}$ | $(0.25f_T - 0.25)f_{lp}$ |
| | M_{wh} | C_{WH} | $0.3 - 0.25f_T$ | $0.25f_T - 0.3$ | $0.25f_T - 0.3$ | $0.3 - 0.25f_T$ |
| | M_{wt} | C_{WT} | 0 | 0 | 0 | 0 |
| Longitudinal accelerations | a_{surge} | C_{XS} | 0 | 0 | 0 | 0 |
| | $a_{pitch-x}$ | C_{XP} | 0 | 0 | 0 | 0 |
| | $gsin\phi$ | C_{XG} | 0 | 0 | 0 | 0 |
| Transverse accelerations | a_{sway} | C_{YS} | $0.15 - 0.15f_T$ | $0.15f_T - 0.15$ | $0.15f_T - 0.15$ | $0.15 - 0.15f_T$ |
| | a_{roll-y} | C_{YR} | $1.15 - 0.2f_T$ | $0.2f_T - 1.15$ | $0.2f_T - 1.15$ | $1.15 - 0.2f_T$ |
| | $gsin\theta$ | C_{YG} | -1 | 1 | 1 | -1 |
| Vertical accelerations | a_{heave} | C_{ZH} | $0.85 - 0.55f_T$ | $0.55f_T - 0.85$ | $0.85 - 0.55f_T$ | $0.55f_T - 0.85$ |
| | a_{roll-z} | C_{ZR} | 1 | -1 | -1 | 1 |
| | $a_{pitch-z}$ | C_{ZP} | 0 | 0 | 0 | 0 |

| Load component | | LCF | BSP-1P | BSP-2P | BSP-1S | BSP-2S |
|----------------------------|---------------|----------|-------------------------|-------------------------|-------------------------|-------------------------|
| Hull girder loads | M_{wv} | C_{WV} | $0.6 - 0.85f_T$ | $0.85f_T - 0.6$ | $0.6 - 0.85f_T$ | $0.85f_T - 0.6$ |
| | Q_{wv} | C_{QW} | $(0.6 - 0.85f_T)f_{lp}$ | $(0.85f_T - 0.6)f_{lp}$ | $(0.6 - 0.85f_T)f_{lp}$ | $(0.85f_T - 0.6)f_{lp}$ |
| | M_{wh} | C_{WH} | $0.9 - 0.85f_T$ | $0.85f_T - 0.9$ | $0.85f_T - 0.9$ | $0.9 - 0.85f_T$ |
| | M_{wt} | C_{WT} | 0 | 0 | 0 | 0 |
| Longitudinal accelerations | a_{surge} | C_{XS} | $0.2 - 0.35f_T$ | $0.35f_T - 0.2$ | $0.2 - 0.35f_T$ | $0.35f_T - 0.2$ |
| | $a_{pitch-x}$ | C_{XP} | $0.1 - 0.15f_T$ | $0.15f_T - 0.1$ | $0.1 - 0.15f_T$ | $0.15f_T - 0.1$ |
| | $gsin\phi$ | C_{XG} | $0.15f_T - 0.1$ | $0.1 - 0.15f_T$ | $0.15f_T - 0.1$ | $0.1 - 0.15f_T$ |
| Transverse accelerations | a_{sway} | C_{YS} | $0.25f_T - 1.15$ | $1.15 - 0.25f_T$ | $1.15 - 0.25f_T$ | $0.25f_T - 1.15$ |
| | a_{roll-y} | C_{YR} | $1.2 - 1.15f_T$ | $1.15f_T - 1.2$ | $1.15f_T - 1.2$ | $1.2 - 1.15f_T$ |
| | $gsin\theta$ | C_{YG} | $0.4f_T - 0.4$ | $0.4 - 0.4f_T$ | $0.4 - 0.4f_T$ | $0.4f_T - 0.4$ |
| Vertical accelerations | a_{heave} | C_{ZH} | 1 | -1 | 1 | -1 |
| | a_{roll-z} | C_{ZR} | $1.2 - 1.15f_T$ | $1.15f_T - 1.2$ | $1.15f_T - 1.2$ | $1.2 - 1.15f_T$ |
| | $a_{pitch-z}$ | C_{ZP} | $0.1 - 0.15f_T$ | $0.15f_T - 0.1$ | $0.1 - 0.15f_T$ | $0.15f_T - 0.1$ |

Table 13 : Load combination factors, LCFs for OST load cases – Fatigue assessment

| Load component | | LCF | OST-1P | OST-2P | OST-1S | OST-2S |
|----------------------------|---------------|----------|------------------------|------------------------|------------------------|------------------------|
| Hull girder loads | M_{wv} | C_{WV} | - 0.55 | 0.55 | - 0.55 | 0.55 |
| | Q_{wv} | C_{QW} | $(0.4f_T - 0.7)f_{lp}$ | $(0.7 - 0.4f_T)f_{lp}$ | $(0.4f_T - 0.7)f_{lp}$ | $(0.7 - 0.4f_T)f_{lp}$ |
| | M_{wh} | C_{WH} | - 1 | 1 | 1 | - 1 |
| | M_{wt} | C_{WT} | $-f_{lp-OST}$ | f_{lp-OST} | f_{lp-OST} | $-f_{lp-OST}$ |
| Longitudinal accelerations | a_{surge} | C_{XS} | $0.2f_T - 0.5$ | $0.5 - 0.2f_T$ | $0.2f_T - 0.5$ | $0.5 - 0.2f_T$ |
| | $a_{pitch-x}$ | C_{XP} | $1.2 - 0.45f_T$ | $0.45f_T - 1.2$ | $1.2 - 0.45f_T$ | $0.45f_T - 1.2$ |
| | $gsin\phi$ | C_{XG} | $0.40f_T - 0.85$ | $0.85 - 0.4f_T$ | $0.40f_T - 0.85$ | $0.85 - 0.4f_T$ |
| Transverse accelerations | a_{sway} | C_{YS} | 0 | 0 | 0 | 0 |
| | a_{roll-y} | C_{YR} | $f_T - 0.75$ | $0.75 - f_T$ | $0.75 - f_T$ | $f_T - 0.75$ |
| | $gsin\theta$ | C_{YG} | $0.25 - 0.35f_T$ | $0.35f_T - 0.25$ | $0.35f_T - 0.25$ | $0.25 - 0.35f_T$ |
| Vertical accelerations | a_{heave} | C_{ZH} | $0.25 - 0.45f_T$ | $0.45f_T - 0.25$ | $0.25 - 0.45f_T$ | $0.45f_T - 0.25$ |
| | a_{roll-z} | C_{ZR} | $f_T - 0.75$ | $0.75 - f_T$ | $0.75 - f_T$ | $f_T - 0.75$ |
| | $a_{pitch-z}$ | C_{ZP} | $1.2 - 0.45f_T$ | $0.45f_T - 1.2$ | $1.2 - 0.45f_T$ | $0.45f_T - 1.2$ |

Section 3 – Ship motions and accelerations

Symbols

For symbols not defined in this section, refer to **Ch 1, Sec 4**.

a_0 : Acceleration parameter, to be taken as:

$$a_0 = (0.65 - 0.15C_B) \left(\frac{8}{\sqrt{L}} + \frac{38}{L} \right)$$

T_θ : Roll period, in s, as defined in **[2.1.1]**.

θ : Roll angle, in deg, as defined in **[2.1.1]**.

T_ϕ : Pitch period, in s, as defined in **[2.1.2]**.

ϕ : Pitch angle, in deg, as defined in **[2.1.2]**.

R : Vertical coordinate, in m, of the ship rotation centre, to be taken as:

$$R = 0.65f_T D$$

$C_{XG}, C_{XS}, C_{XP}, C_{YG}, C_{YS}, C_{YR}, C_{ZH}, C_{ZR}$ and C_{ZP} : Load combination factors, as defined in **Ch 4, Sec 2**.

a_{roll-y} : Transverse acceleration due to roll, in m/s², as defined in **[3.3.2]**.

$a_{pitch-x}$: Longitudinal acceleration due to pitch, in m/s², as defined in **[3.3.1]**.

a_{roll-z} : Vertical acceleration due to roll, in m/s², as defined in **[3.3.3]**.

$a_{pitch-z}$: Vertical acceleration due to pitch, in m/s², as defined in **[3.3.3]**.

f_T : Ratio between draught at a loading condition and scantling draught, to be taken as:

$$f_T = \frac{T_{LC}}{T_{SC}} \text{ but is not to be taken less than 0.7.}$$

T_{LC} : Draught, in m, amidships for the considered load case.

x, y, z : X, Y and Z coordinates, in m, of the considered point with respect to the coordinate system, as defined in **Ch 4, Sec 1, [1.2.1]**.

f_{ps} : Coefficient for strength assessments which is dependent on the applicable design load scenario specified in **Ch 4, Sec 7**, and to be taken as: (2023)

$f_{ps} = 1.0$ for extreme sea loads design load scenario.

$f_{ps} = 0.8$ for the ballast water exchange design load scenario.

f_R : Factor related to the operational profile, to be taken as:

$$f_R = 0.85$$

f_{fa} : Fatigue coefficient to be taken as:

$$f_{fa} = 0.9$$

1. General

1.1 Definition

1.1.1

The ship motions and accelerations are assumed to be sinusoidal. The motion values defined by the formulae in this section are single amplitudes, i.e. half of the "crest to trough" height.

2. Ship motions and accelerations

2.1 Ship motions

2.1.1 Roll motion

The roll period T_θ , in s, to be taken as:

$$T_\theta = \frac{2.3\pi k_r}{\sqrt{g GM}}$$

The roll angle θ , in deg, to be taken as:

$$\theta = \frac{9000(1.25 - 0.025 T_\theta) f_p f_{BK}}{(B + 75)\pi}$$

where:

f_p : Coefficient to be taken as:

$$f_p = f_{ps} \quad \text{for strength assessment.}$$

$$f_p = f_{fa}(0.23 - 4f_T B \times 10^{-4}) \quad \text{for fatigue assessment.}$$

f_{BK} : To be taken as:

$$f_{BK} = 1.2 \quad \text{for ships without bilge keel.}$$

$$f_{BK} = 1.0 \quad \text{for ships with bilge keel.}$$

k_r : Roll radius of gyration, in m, in the considered loading condition. The values in **Table 1** is to be adopted unless provided in the loading manual.

GM : Metacentric height, in m, in the considered loading condition. The values in **Table 1** is to be adopted unless provided in the loading manual.

Table 1 : k_r and GM values

| Loading condition ⁽¹⁾ | T_{LC} | k_r | GM |
|----------------------------------|-----------------------------|---------|---------|
| Full load condition | T_{SC} | $0.35B$ | $0.07B$ |
| Ballast condition | $T_{BAL} (\leq 0.7 T_{SC})$ | $0.45B$ | $0.20B$ |

Note 1: For other loading conditions with draught between T_{SC} and T_{BAL} , the value of k_r and GM , unless provided in the loading manual, are to be obtained by linear interpolation.

2.1.2 Pitch motion

The pitch period T_ϕ , in s, is to be taken as:

$$T_\phi = \sqrt{\frac{2\pi\lambda_\phi}{g}}$$

$$\lambda_{\phi} = 1.2L$$

where:

The pitch angle ϕ , in deg, is to be taken as:

$$\phi = 2300 f_p f_R L^{-1}$$

where:

f_p : Coefficient to be taken as:

$$f_p = f_{ps} \quad \text{for strength assessment.}$$

$$f_p = f_{fa} \left[(0.27) - (1.25 + 8f_T)L \times 10^{-5} \right] \quad \text{for fatigue assessment.}$$

2.2 Ship accelerations at the centre of gravity

2.2.1 Surge acceleration

The longitudinal acceleration due to surge, in m/s^2 , is to be taken as:

$$a_{surge} = 0.32 f_p f_R a_0 g$$

where:

f_p : Coefficient to be taken as:

$$f_p = f_{ps} \quad \text{for strength assessment.}$$

$$f_p = f_{fa} \left[(0.35 - 0.07f_T) - (20 + 4f_T)L \times 10^{-5} \right] \quad \text{for fatigue assessment.}$$

2.2.2 Sway acceleration

The transverse acceleration due to sway, in m/s^2 , is to be taken as:

$$a_{sway} = 0.58 f_p f_R a_0 g$$

where:

f_p : Coefficient to be taken as:

$$f_p = f_{ps} \quad \text{for strength assessment.}$$

$$f_p = f_{fa} \left[(0.28 - 0.02f_T) - (6 - 2f_T)B \times 10^{-4} \right] \quad \text{for fatigue assessment.}$$

2.2.3 Heave acceleration

The vertical acceleration due to heave, in m/s^2 , is to be taken as:

$$a_{heave} = f_p f_R a_0 g$$

where:

f_p : Coefficient to be taken as:

$$f_p = f_{ps} \quad \text{for strength assessment.}$$

$$f_p = f_{fa} \left[(0.25 + 0.07f_T) - 10L \times 10^{-5} \right] \quad \text{for fatigue assessment.}$$

2.2.4 Roll acceleration

The roll acceleration, a_{roll} , in rad/s^2 , is to be taken as:

$$a_{roll} = f_p \theta \frac{\pi}{180} \left(\frac{2\pi}{T_{\theta}} \right)^2$$

where:

f_p : Coefficient to be taken as:

$$f_p = f_{ps} \quad \text{for strength assessment.}$$

$$f_p = f_{fa} (0.23 - 4f_T B \times 10^{-4}) \quad \text{for fatigue assessment.}$$

2.2.5 Pitch acceleration

The pitch acceleration, a_{pitch} , in rad/s^2 , is to be taken as:

$$a_{pitch} = f_p \left(\frac{0.54}{(gL)^{-0.24}} + 0.1 \right) \left(\frac{1}{1.4(1+f_T)} \right) \phi \frac{\pi}{180} \left(\frac{2\pi}{T_\phi} \right)^2$$

where:

ϕ : Pitch angle using f_p equal to 1.0.

f_p : Coefficient to be taken as:

$$f_p = f_{ps} \quad \text{for strength assessment.}$$

$$f_p = f_{fa} [(0.36) - (20 - 6f_T)L \times 10^{-5}] \quad \text{for fatigue assessment.}$$

3. Accelerations at any position

3.1 General

3.1.1

The accelerations used to derive the inertial loads at any position are defined with respect to the ship fixed coordinate system. Hence the acceleration values defined in [3.2] and [3.3] include the gravitational acceleration components due to the instantaneous roll and pitch angles.

3.1.2

The accelerations to be applied for the dynamic load cases defined in Ch 4, Sec 2 are given in [3.2].

3.1.3

The envelope accelerations as defined in [3.3] are provided for advisory purposes and may be used for other design purpose when the maximum design acceleration values are required, for example, crane foundations, machinery foundations, etc.

3.2 Accelerations for dynamic load cases

3.2.1 General

The accelerations to be applied for the dynamic load cases defined in Ch 4, Sec 2 are given in [3.2.2] to [3.2.4].

3.2.2 Longitudinal acceleration

The longitudinal acceleration at any position for each dynamic load case, in m/s^2 , is to be taken as:

$$a_x = -C_{XG} g \sin\phi + C_{XS} a_{surge} + C_{XP} a_{pitch} (z - R)$$

3.2.3 Transverse acceleration

The transverse acceleration at any position for each dynamic load case, in m/s^2 , is to be taken as:

$$a_y = C_{YG} g \sin\theta + C_{YS} a_{sway} - C_{YR} a_{roll} (z - R)$$

3.2.4 Vertical acceleration

The vertical acceleration at any position for each dynamic load case, in m/s^2 , is to be taken as:

$$a_z = C_{ZH} a_{heave} + C_{ZR} a_{roll} y - C_{ZP} a_{pitch} (x - 0.45L)$$

3.3 Envelope accelerations

3.3.1 Longitudinal acceleration

The envelope longitudinal acceleration, a_{x-env} , in m/s^2 , at any position, is to be taken as:

$$a_{x-env} = 0.7 \sqrt{a_{surge}^2 + \left[\frac{L}{325} (g \sin \phi + a_{pitch-x}) \right]^2}$$

where:

$a_{pitch-x}$: Longitudinal acceleration due to pitch, in m/s^2 .

$$a_{pitch-x} = a_{pitch} (z - R)$$

3.3.2 Transverse acceleration

The envelope longitudinal acceleration, a_{y-env} , in m/s^2 , at any position, is to be taken as:

$$a_{y-env} = \sqrt{a_{sway}^2 + (g \sin \theta + a_{roll-y})^2}$$

where:

a_{roll-y} : Transverse acceleration due to roll, in m/s^2 .

$$a_{roll-y} = a_{roll} (z - R)$$

3.3.3 Vertical acceleration

The envelope longitudinal acceleration, a_{z-env} , in m/s^2 , at any position, is to be taken as:

$$a_{z-env} = \sqrt{a_{heave}^2 + \left(\left(0.3 + \frac{L}{325} \right) a_{pitch-z} \right)^2 + (1.2 a_{roll-z})^2}$$

where:

$a_{pitch-z}$: Vertical acceleration due to pitch, in m/s^2 .

$$a_{pitch-z} = a_{pitch} (x - 0.45L)$$

a_{roll-z} : Vertical acceleration due to roll, in m/s^2 .

$$a_{roll-z} = a_{roll} y$$

Section 4 – Hull girder loads

Symbols

For symbols not defined in this section, refer to **Ch 1, Sec 4**.

x : X coordinate, in m, of the calculation point with respect to the reference coordinate system defined in **Ch 4, Sec 1, [1.2.1]**.

C_w : Wave coefficient, in m, to be taken as:

$$C_w = 10.75 - \left(\frac{300 - L}{100} \right)^{1.5} \quad \text{for } 90 \leq L \leq 300$$

$$C_w = 10.75 \quad \text{for } 300 < L \leq 350$$

$$C_w = 10.75 - \left(\frac{L - 350}{150} \right)^{1.5} \quad \text{for } 350 < L \leq 500$$

f_R : Coefficient, as defined in **Ch 4, Sec 3**.

f_{ps} : Coefficient, as defined in **Ch 4, Sec 3**.

f_β : Heading correction factor, to be taken as:

a) For strength assessment:

$$f_\beta = 1.0 \text{ generally}$$

$$f_\beta = 0.8 \text{ for BSR and BSP load cases for the extreme sea loads design load scenario}$$

b) For fatigue assessment:

$$f_\beta = 1.0$$

HSM, HSA, FSM, BSR, BSP, OST, OSA : Dynamic load cases, as defined in **Ch 4, Sec 2**.

1. Application

1.1 General

1.1.1

The hull girder loads for the static (S) design load scenarios is to be taken as the still water loads defined in **[2]**.

1.1.2

The total hull girder loads for the static plus dynamic (S+D) design load scenarios are to be derived for each dynamic load case and are to be taken as the sum of the still water loads defined in **[2]** and the dynamic loads defined in **[3.5]**.

2. Vertical still water hull girder loads

2.1 Application

2.1.1 Seagoing and harbour/sheltered water conditions

The designer is to provide the permissible still water bending moment and shear force for seagoing and harbour/sheltered water operations.

The permissible still water hull girder loads are to be given at each transverse bulkhead in the cargo hold region, at the middle of cargo compartments, at the collision bulkhead, at the engine room forward bulkhead and at the midpoint between the forward and aft engine room bulkheads. The permissible hull girder bending moments and shear forces at any other position may be obtained by linear interpolation.

2.1.2 Still water loads for fatigue assessment

The still water bending moment and shear force values and distribution to be used for the fatigue assessment are to be taken as the most typical values applicable for the loading conditions that the ship will operate in for most of its life. Typically, these conditions will be the normal ballast condition and full homogeneously loaded condition. The definition of loading conditions to be used is specified in **Ch 9**.

2.2 Vertical still water bending moment

2.2.1 Permissible vertical still water bending moment in seagoing condition

The permissible vertical still water bending moments, M_{sw-h} and M_{sw-s} in seagoing condition at any longitudinal position are to envelop:

- The most severe still water bending moments calculated, in hogging and sagging conditions, respectively, for the seagoing loading conditions.
- The most severe still water bending moments for the seagoing loading conditions defined in the loading manual.

2.2.2 Permissible vertical still water bending moment in harbour/sheltered water and tank testing condition

The permissible vertical still water bending moments in the harbour/sheltered water and tank testing condition M_{sw-p-h} and M_{sw-p-s} at any longitudinal position are to envelop:

- The most severe still water bending moments, in hogging and sagging conditions, respectively, for the harbour/sheltered water loading conditions.
- The most severe still water bending moments for the harbour/sheltered water loading conditions defined in the loading manual.
- The permissible still water bending moment defined in **[2.2.1]**.

2.3 Vertical still water shear force

2.3.1 Permissible still water shear force in seagoing condition

The permissible vertical still water shear forces, Q_{sw} , in seagoing condition at any longitudinal position are to envelop:

- The most severe still water shear forces, positive or negative, for the seagoing loading conditions.
- The most severe still water shear forces for the seagoing loading conditions defined in the loading manual.

2.3.2 Permissible still water shear force in harbour/sheltered water and tank testing condition

The permissible vertical still water shear forces, Q_{sw-p} , in the harbour/sheltered water and tank testing

condition at any longitudinal position are to envelop:

- The most severe still water shear forces, positive or negative, for the harbour/sheltered water loading conditions.
- The most severe still water shear forces for the harbour/sheltered water loading conditions defined in the loading manual.
- The permissible vertical still water shear force defined in [2.3.1]. (2023)

3. Dynamic hull girder loads

3.1 Vertical wave bending moment

3.1.1

The vertical wave bending moments at any longitudinal position, in kNm, are to be taken as:

Hogging condition:

$$M_{wv-Hog} = 0.19f_m f_p C_w L^2 B C_B$$

Sagging condition:

$$M_{wv-Sag} = -0.19f_m f_p C_w L^2 B C_B f_{nl-vs}$$

where:

f_p : Coefficient to be taken as:

$$f_p = f_{ps} \quad \text{for strength assessment.}$$

$$f_p = f_{fa} [0.27 - (6 + 4f_T)L \times 10^{-5}] \quad \text{for fatigue assessment.}$$

f_m : Distribution factor for vertical wave bending moment along the ship's length, to be taken as:

$$f_m = 0.0 \quad \text{for } x \leq 0$$

$$f_m = 1.0 \quad \text{for } 0.4L \leq x \leq 0.65L$$

$$f_m = 0.0 \quad \text{for } x \geq L$$

Intermediate values of f_m are to be obtained by linear interpolation (see Figure 1).

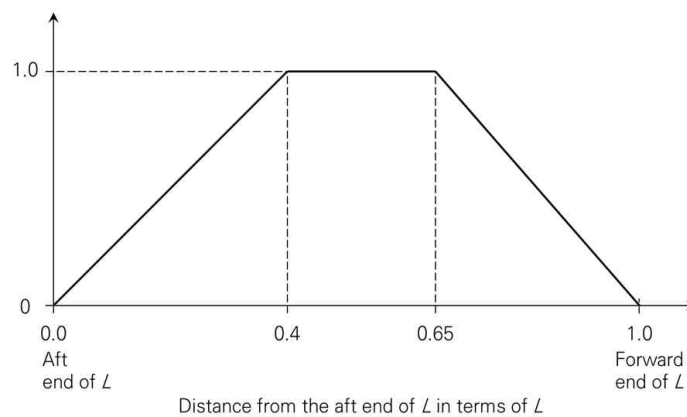


Figure 1 : Distribution factor f_m

f_{nl-vs} : Coefficient considering nonlinear effects applied to sagging, to be taken as:

$$f_{nl-vs} = \frac{11}{19} \left(\frac{C_B + 0.7}{C_B} \right) \quad \text{for strength assessment.}$$

$$f_{nl-vs} = 1 \quad \text{for fatigue assessment.}$$

3.2 Vertical wave shear force

3.2.1

The vertical wave shear forces at any longitudinal position, in kN, are to be taken as:

$$Q_{wv- pos} = 0.3 f_{q- pos} f_p C_w L B (C_B + 0.7)$$

$$Q_{wv- neg} = -0.3 f_{q- neg} f_p C_w L B (C_B + 0.7)$$

where:

f_p : Coefficient to be taken as:

$$f_p = f_{ps} \quad \text{for strength assessment.}$$

$$f_p = f_{fa} [0.27 - (17 - 8f_T)L \times 10^{-5}] \quad \text{for fatigue assessment.}$$

$f_{q- pos}$: Distribution factor along the ship length for positive wave shear force (see **Figure 2**).

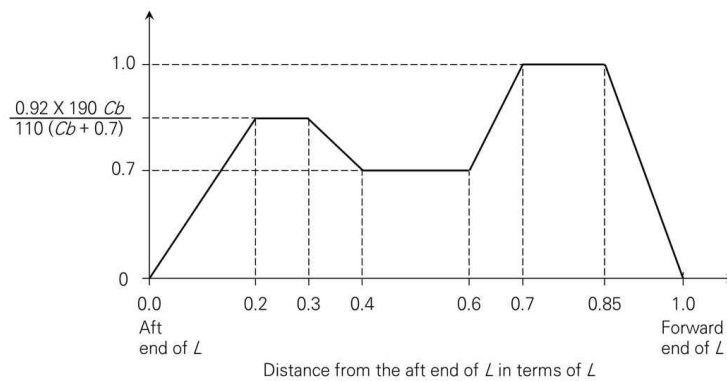


Figure 2 : Distribution factor of positive vertical shear force $f_{q- pos}$

$f_{q- neg}$: Distribution factor along the ship length for negative wave shear force (see **Figure 3**).

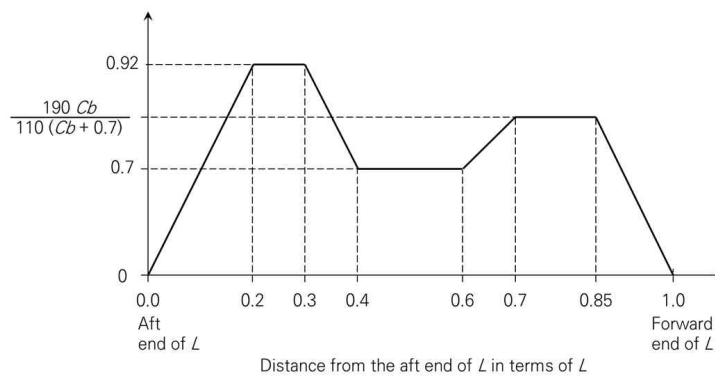


Figure 3 : Distribution factor of negative vertical shear force $f_{q- neg}$

3.3 Horizontal wave bending moment

3.3.1

The horizontal wave bending moment at any longitudinal position, in kNm, is to be taken as:

$$M_{wh} = f_{nth} f_p \left(0.33 + \frac{L}{3400} \right) f_m C_w L^2 T_{LC} C_B$$

where:

f_{nlh} : Coefficient considering nonlinear effect to be taken as:

$$f_{nlh} = 0.9 \quad \text{for strength assessment}$$

$$f_{nlh} = 1.0 \quad \text{for fatigue assessment.}$$

f_p : Coefficient to be taken as:

$$f_p = f_{ps} \quad \text{for strength assessment.}$$

$$f_p = f_{fa} \left[(0.26 - 0.02f_T) + 6L \times 10^{-5} \right] \quad \text{for fatigue assessment.}$$

f_m : Distribution factor defined in [3.1.1](see **Figure 1**).

3.4 Wave torsional moment

3.4.1

The wave torsional moment at any longitudinal position with respect to the ship baseline, in kNm, is to be taken as:

$$M_{wt} = f_p (M_{wt1} + M_{wt2})$$

$$M_{wt1} = \frac{1}{4} f_{t1} C_w \sqrt{\frac{L}{T_{LC}}} B^2 D C_B$$

$$M_{wt2} = \frac{1}{8} f_{t2} C_w L B^2 C_B$$

where:

f_{t1}, f_{t2} : Distribution factor, taken as:

$$f_{t1} = 0 \quad \text{for } x < 0$$

$$f_{t1} = \left| \sin\left(\frac{2\pi x}{L}\right) \right| \quad \text{for } 0 \leq x \leq L$$

$$f_{t1} = 0 \quad \text{for } x > L$$

$$f_{t2} = 0 \quad \text{for } x < 0$$

$$f_{t2} = \sin^2\left(\frac{\pi x}{L}\right) \quad \text{for } 0 \leq x \leq L$$

$$f_{t2} = 0 \quad \text{for } x > L$$

f_p : Coefficient to be taken as:

$$f_p = f_{ps} \quad \text{for strength assessment.}$$

$$f_p = f_{fa} \left[(0.15 + 0.1f_T) + (3f_T)B \times 10^{-5} \right] \quad \text{for fatigue assessment.}$$

3.5 Hull girder loads for dynamic load cases

3.5.1 General

The dynamic hull girder loads to be applied for the dynamic load cases defined in **Ch 4, Sec 2**, are given in [3.5.2] to [3.5.5].

3.5.2 Vertical wave bending moment

The vertical wave bending moment, M_{wv-LC} , in kNm, to be used for each dynamic load case in **Ch 4, Sec 2**, is defined in **Table 1**.

Table 1 : Vertical wave bending moment for dynamic load cases

| Load combination factor | M_{wv-LC} |
|---|-------------------------------|
| $C_{WV} \geq 0$ | $f_{\beta} C_{WV} M_{wv-h}$ |
| $C_{WV} < 0$ | $f_{\beta} C_{WV} M_{wv-s} $ |
| C_{WV} : Load combination factor for vertical wave bending moment, to be taken as specified in Ch 4, Sec 2 . M_{wv-Hog} , M_{wv-Sag} : Hogging and sagging vertical wave bending moment taking account of the considered design load scenario, as defined in [3.1.1] . | |

3.5.3 Vertical wave shear force

The vertical wave shear force, Q_{wv-LC} , in kN, to be used for each dynamic load case in **Ch 4, Sec 2**, is defined in **Table 2**.

Table 2 : Vertical wave shear force for dynamic load cases

| Load combination factor | Q_{wv-LC} |
|---|---------------------------------|
| $C_{QW} \geq 0$ | $f_{\beta} C_{QW} Q_{wv-pos}$ |
| $C_{QW} < 0$ | $f_{\beta} C_{QW} Q_{wv-neg} $ |
| C_{QW} : Load combination factor for vertical wave shear force, to be taken as specified in Ch 4, Sec 2 . Q_{wv-pos} , Q_{wv-neg} : Vertical wave shear force taking account of the considered design load scenario, as defined in [3.2.1] . | |

3.5.4 Horizontal wave bending moment

The horizontal wave bending moment, M_{wh-LC} , in kNm, to be used for each dynamic load case defined in **Ch 4, Sec 2**, is to be taken as:

$$M_{wh-LC} = f_{\beta} C_{WH} M_{wh}$$

where:

C_{WH} : Load combination factor for horizontal wave bending moment, to be taken as specified in **Ch 4, Sec 2**.

M_{wh} : Horizontal wave bending moment taking account of the appropriate design load scenario, as defined in **[3.3.1]**.

3.5.5 Wave torsional moment

The wave torsional moment, M_{wt-LC} , in kNm, to be used for each dynamic load case defined in **Ch 4, Sec 2**, is to be taken as:

$$M_{wt-LC} = f_{\beta} C_{WT} M_{wt}$$

where:

C_{WT} : Load combination factor for wave torsional moment, to be taken as specified in **Ch 4, Sec 2**.

M_{wt} : Wave torsional moment taking account of the appropriate design load scenario, as defined in **[3.4.1]**.

Section 5 – External loads

Symbols

For symbols not defined in this section, refer to **Ch 1, Sec 4**.

λ : Wave length, in m.

B_x : Moulded breadth at the waterline, in m, at the considered cross section.

x, y, z : X, Y and Z coordinates, in m, of the load point with respect to the reference coordinate system defined in **Ch 4, Sec 1, [1.2.1]**.

f_{xL} : Ratio as defined in **Ch 4, Sec 2**.

f_{yB} : Ratio between Y -coordinate of the load point and B_x , to be taken as:

$$f_{yB} = \frac{|2y|}{B_x}, \text{ but not greater than 1.0.}$$

$$f_{yB} = 0 \text{ when } B_x = 0.$$

f_{yB1} : Ratio between Y -coordinate of the load point and B , to be taken as:

$$f_{yB1} = \frac{|2y|}{B}, \text{ but not greater than 1.0.}$$

f_{zT} : Ratio between Z -coordinate of the load point and T_{LC} , to be taken as:

$$f_{zT} = \frac{z}{T_{LC}}, \text{ but not greater than 1.0.}$$

C_w : Wave coefficient defined in **Ch 4, Sec 4**.

f_T : Ratio as defined in **Ch 4, Sec 3**.

$P_{W,WL}$: Wave pressure at the waterline, kN/m^2 , for the considered dynamic load case.

$$P_{W,WL} = P_W \text{ for } y = B_x/2 \text{ and } z = T_{LC}$$

h_W : Water head equivalent to the pressure at waterline, in m, to be taken as:

$$h_w = \frac{P_{W,WL}}{\rho g}$$

f_{ps} : Coefficient for strength assessment, as defined in **Ch 4, Sec 3**.

θ : Roll angle, in deg, as defined in **Ch 4, Sec 3, [2.1.1]**.

T_θ : Roll period, in s, as defined in **Ch 4, Sec 3, [2.1.1]**.

z_{SD} : Z coordinate, in m, of the midpoint of stiffener span, or of the middle of the plate field.

f_R : Coefficient defined in **Ch 4, Sec 3**.

f_β : Coefficient defined in **Ch 4, Sec 4**.

1. Sea pressure

1.1 Total pressure

1.1.1

The external pressure P_{ex} at any load point of the hull, in kN/m^2 , for the static (S) design load scenarios, is to be taken as:

$$P_{ex} = P_S \text{ but not less than } 0.$$

The total pressure P_{ex} at any load point of the hull for the static plus dynamic (S+D) design load scenarios, is to be derived from each dynamic load case and is to be taken as:

$$P_{ex} = P_S + P_W \text{ but not less than } 0.$$

where:

P_S : Hydrostatic pressure, in kN/m^2 , is defined in [1.2].

P_W : Wave pressure, in kN/m^2 , is defined in [1.3].

1.2 Hydrostatic pressure

1.2.1

The hydrostatic pressure, P_S at any load point, in kN/m^2 , is obtained from Table 1. See also Figure 1.

Table 1 : Hydrostatic pressure, P_S

| Location | Hydrostatic pressure, P_S , in kN/m^2 |
|-----------------|--|
| $z \leq T_{LC}$ | $\rho g (T_{LC} - z)$ |
| $z > T_{LC}$ | 0 |

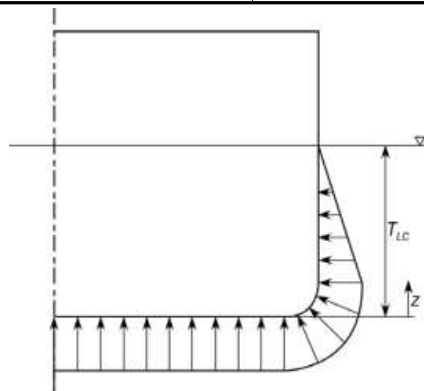


Figure 1 : Hydrostatic pressure, P_S

1.3 External dynamic pressures

1.3.1 General

The hydrodynamic pressures for each dynamic load case defined in Ch 4, Sec 2, [2] are defined in [1.3.2] to [1.3.8].

1.3.2 Hydrodynamic pressures for HSM load cases

The hydrodynamic pressures, P_W , for HSM-1 and HSM-2 load cases, at any load point, in kN/m^2 , are to be obtained from Table 2.

Table 2 : Hydrodynamic pressures for HSM load cases

| Load case | Wave pressure, in kN/m ² | | |
|-----------|---|---------------------------------------|--------------------|
| | $Z \leq T_{LC}$ | $T_{LC} < Z \leq h_w + T_{LC}$ | $Z > h_w + T_{LC}$ |
| HSM-1 | $P_W = \max(-P_{HS}, \rho g(z - T_{LC}))$ | $P_W = P_{W,WL} - \rho g(z - T_{LC})$ | $P_W = 0.0$ |
| HSM-2 | $P_W = \max(P_{HS}, \rho g(z - T_{LC}))$ | | |

where:

$$P_{HS} = f_R f_\beta f_p f_{nl} f_h k_a k_p f_{yz} C_{WV} \sqrt{\frac{L_0 + \lambda - 125}{L}}$$

f_p : Coefficient to be taken as:

$$f_p = f_{ps}$$

f_{nl} : Coefficient considering non-linear effects, to be taken as:

a) For extreme sea loads design load scenario for strength assessment :

$$f_{nl} = 0.7 \text{ at } f_{xL} = 0$$

$$f_{nl} = 0.9 \text{ at } 0.3 \leq f_{xL} < 0.7$$

$$f_{nl} = 0.6 \text{ at } f_{xL} = 1$$

b) For ballast water exchange design load scenario for strength assessment :

$$f_{nl} = 0.85 \text{ at } f_{xL} = 0$$

$$f_{nl} = 0.95 \text{ at } 0.3 \leq f_{xL} < 0.7$$

$$f_{nl} = 0.80 \text{ at } f_{xL} = 1$$

Intermediate values are obtained by linear interpolation.

f_h : Design wave height coefficient to be taken as:

$$f_h = \exp\left[-(L/135)^2/f_T\right] + (1.65 - 0.15f_T)$$

k_a : Amplitude coefficient in the longitudinal direction of the ship, to be taken as:

$$k_a = k_{a-WL} f_{zT} + k_{a-CL} (1 - f_{zT})$$

Intermediate values are to be interpolated.

Table 3 : k_{a-WL} , k_{a-CL} values for HSM load cases

| f_{xL} | 0 | 0.2 | 0.35 | 0.55 | 0.7 | 1 |
|------------|-----------------|----------------|------|------|------|---------------|
| k_{a-WL} | $0.8 + 0.35f_T$ | $0.1 + 0.2f_T$ | 1 | 1 | 0.25 | $5.7f_T - 1$ |
| k_{a-CL} | $2.0 + 1.3f_T$ | $0.1 + 0.3f_T$ | 1 | 1 | 0.5 | $11.5f_T - 2$ |

k_p : Phase coefficient in the longitudinal direction of the ship, to be taken as:

$$k_p = k_{p-WL} f_{zT} + k_{p-CL} (1 - f_{zT})$$

Intermediate values are to be interpolated.

Table 4 : k_{p-WL} value for HSM load cases

| f_{xL} | 0 | 0.15 | 0.3 | 0.65 | 0.7 | 1 |
|------------|-------|------|-----|------|-----|------|
| k_{p-WL} | -0.45 | -1 | 1 | 1 | -1 | -0.8 |

Table 5: k_{p-CL} values for HSM load cases

| f_{xL} | 0 | $0.3 - 0.1f_T$ | $0.55 - 0.25f_T$ | $0.75 - 0.1f_T$ | $0.8 - 0.1f_T$ | 1 |
|------------|----------------|----------------|------------------|-----------------|----------------|-------|
| k_{p-CL} | $1.9f_T - 1.5$ | -1 | 1 | 1 | -1 | -0.75 |

f_{yz} : Girth distribution coefficient, to be taken as:

$$f_{yz} = 2.0f_{zT} + 0.8f_{yB} + 1.34$$

λ : Wave length of the dynamic load case, in m, to be taken as:

$$\lambda = [0.95 - 0.4(1 - f_T)]L$$

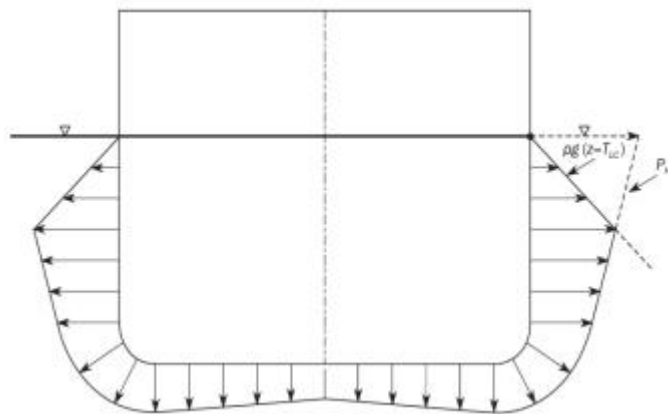


Figure 2 : Transverse distribution amidships of dynamic pressure for HSM-1, HSA-1 and FSM-1 load cases

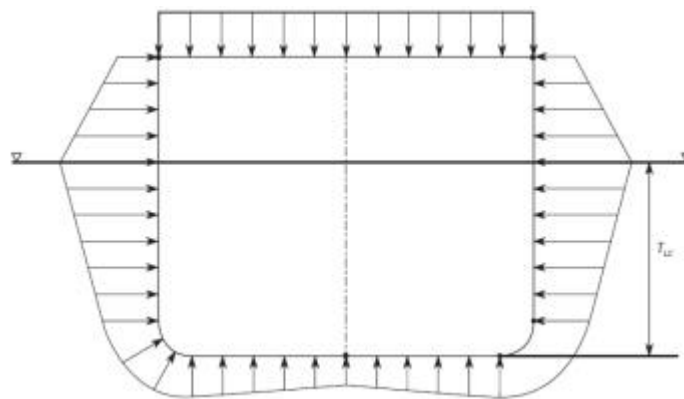


Figure 3 : Transverse distribution amidships of dynamic pressure for HSM-2, HSA-2 and FSM-2 load cases

1.3.3 Hydrodynamic pressure for HSA load cases

The hydrodynamic pressures, P_W , for HSA-1 and HSA-2 load cases at any load point, in kN/m^2 , are to be obtained from Table 6.

Table 6 : Hydrodynamic pressures for HSA load cases

| Load case | Wave pressure, in kN/m ² | | |
|-----------|--|--|--------------------|
| | $z \leq T_{LC}$ | $T_{LC} < z \leq h_W + T_{LC}$ | $z > h_W + T_{LC}$ |
| HSA-1 | $P_W = \max(-P_{HSA}, \rho g(z - T_{LC}))$ | $P_W = P_{W, WL} - \rho g(z - T_{LC})$ | $P_W = 0.0$ |
| HSA-2 | $P_W = \max(P_{HSA}, \rho g(z - T_{LC}))$ | | |

where:

$$P_{HS} = f_R f_\beta f_p f_{nl} f_h k_a k_p f_{yz} C_W \sqrt{\frac{L_0 + \lambda - 125}{L}}$$

f_p : Coefficient to be taken as:

$$f_p = f_{ps}$$

f_{nl} : Coefficient considering non-linear effects, to be taken as defined in [1.3.2].

f_h : Design wave height coefficient to be taken as:

$$f_h = (2 - 0.26f_T) \left(\frac{7}{10^4} L + 0.85 \right)$$

k_a : Amplitude coefficient in the longitudinal direction of the ship, to be taken as:

$$k_a = k_{a-WL} f_{zT} + k_{a-CL} (1 - f_{zT})$$

Intermediate values are to be interpolated.

Table 7 : k_{a-WL} , k_{a-CL} values for HSA load cases

| f_{xL} | 0 | 0.2 | 0.35 | 0.55 | 0.7 | 1 |
|------------|-----------------|----------------|------|------|------|-----------------|
| k_{a-WL} | $0.8 + 0.35f_T$ | $0.1 + 0.2f_T$ | 1 | 1 | 0.25 | $1.35 + 3.5f_T$ |
| k_{a-CL} | $2 + 1.5f_T$ | $0.1 + 0.3f_T$ | 1 | 1 | 0.5 | $11.5f_T - 2$ |

k_p : Phase coefficient in the longitudinal direction of the ship, to be taken as:

$$k_p = k_{p-WL} f_{zT} + k_{p-CL} (1 - f_{zT})$$

Intermediate values are to be interpolated.

Table 8 : k_{p-WL} values for HSA load cases

| f_{xL} | 0 | $0.35 - 0.15f_T$ | 0.4 | $0.8 - 0.15f_T$ | $0.85 - 0.15f_T$ | 1 |
|------------|------------------|------------------|-----------------|-----------------|------------------|----|
| k_{p-WL} | $0.25 + 0.15f_T$ | -1 | $0.45 - 0.1f_T$ | 1 | -0.8 | -1 |

Table 9 : k_{p-CL} values for HSA load cases

| f_{xL} | 0 | 0.25 | 0.4 | 0.65 | 0.75 | 1 |
|------------|-----|------|-----------------|------|------|----|
| k_{p-CL} | 0.6 | -1 | $0.5 - 0.15f_T$ | 1 | -0.8 | -1 |

f_{yz} : Girth distribution coefficient, to be taken as:

$$f_{yz} = 1.5f_{zT} + 0.6f_{yB} + 1$$

λ : Wave length of the dynamic load case, in m, to be taken as:

$$\lambda = 0.95L$$

1.3.4 Hydrodynamic pressure for FSM load cases

The hydrodynamic pressures, P_W , for FSM-1 and FSM-2 load cases, at any load point, in kN/m^2 , are to be obtained from **Table 10**.

Table 10 : Hydrodynamic pressures for FSM load cases

| Load case | Wave pressure, in kN/m^2 | | |
|-----------|---|---------------------------------------|--------------------|
| | $z \leq T_{LC}$ | $T_{LC} < z \leq h_W + T_{LC}$ | $z > h_W + T_{LC}$ |
| FSM-1 | $P_W = \max(-P_{FS}, \rho g(z - T_{LC}))$ | $P_W = P_{W,WL} - \rho g(z - T_{LC})$ | $P_W = 0.0$ |
| FSM-2 | $P_W = \max(P_{FS}, \rho g(z - T_{LC}))$ | | |

where:

$$P_{FS} = f_R f_\beta f_p f_{nl} f_h k_a k_p f_{yz} C_W \sqrt{\frac{L_0 + \lambda - 125}{L}}$$

f_p : Coefficient to be taken as:

$$f_p = f_{ps}$$

f_{nl} : Coefficient considering non-linear effects, to be taken as:

a) For extreme sea loads design load scenario for strength assessment :

$$f_{nl} = 0.9$$

b) For ballast water exchange design load scenario for strength assessment :

$$f_{nl} = 0.95$$

f_h : Design wave height coefficient to be taken as:

$$f_h = (4.8 - 0.7f_T)(19.5L^{-1} + 0.3)$$

k_a : Amplitude coefficient in the longitudinal direction of the ship, to be taken as:

$$k_a = k_{a-WL} f_{zT} + k_{a-CL}(1 - f_{zT})$$

Intermediate values are to be interpolated.

Table 11 : k_{a-WL} values for FSM load cases

| | | | | | | |
|------------|------------------|------------------|------|------|----------------|------------------|
| f_{xL} | 0 | 0.2 | 0.35 | 0.55 | 0.75 | 1 |
| k_{a-WL} | $2.25 - 0.95f_T$ | $0.65 - 0.25f_T$ | 1 | 1 | $0.4 + 0.1f_T$ | $1.65 + 0.85f_T$ |

Table 12 : k_{a-CL} values for FSM load cases

| | | | | | | |
|------------|--------------|------------------|------|------|----------------|----------------|
| f_{xL} | 0 | $0.45 - 0.25f_T$ | 0.35 | 0.55 | 0.7 | 1 |
| k_{a-CL} | $4.7 - 2f_T$ | 0.25 | 1 | 1 | $0.8 - 0.6f_T$ | $2.7 + 1.8f_T$ |

k_p : Phase coefficient in the longitudinal direction of the ship, to be taken as:

$$k_p = k_{p-WL} f_{zT} + k_{p-CL}(1 - f_{zT})$$

Intermediate values are to be interpolated.

Table 13: k_{p-WL} values for FSM load cases

| | | | | | | |
|------------|------------------|-----------------|-----|-----------------|-----|------|
| f_{xL} | 0 | $0.3 - 0.15f_T$ | 0.3 | $0.55 + 0.1f_T$ | 0.8 | 1 |
| k_{p-WL} | $-0.1 - 0.75f_T$ | -1 | 1 | 1 | -1 | -0.7 |

Table 14: k_{p-CL} values for FSM load cases

| | | | | | | |
|------------|------|------------------|-----------------|------------------|------|-------|
| f_{xL} | 0 | $0.45 - 0.25f_T$ | $0.5 - 0.25f_T$ | $0.85 - 0.25f_T$ | 0.75 | 1 |
| k_{p-CL} | -0.8 | -1 | 1 | 1 | -1 | -0.75 |

f_{yz} : Girth distribution coefficient, to be taken as:

$$f_{yz} = 1.6f_{zT} + 0.6f_{yB} + 1.5$$

λ : Wave length of the dynamic load case, in m, to be taken as:

$$\lambda = [1.1 - 0.26(1 - f_T)]L$$

1.3.5 Hydrodynamic pressure for BSR load cases

The wave pressures, P_W , for BSR-1 and BSR-2 load cases, at any load point, in kN/m^2 , are to be obtained from Table 15.

Table 15: Hydrodynamic pressures for BSR load cases

| Load case | Wave pressure, in kN/m^2 | | |
|-----------|--|---------------------------------------|--------------------|
| | $z \leq T_{LC}$ | $T_{LC} < z \leq h_W + T_{LC}$ | $z > h_W + T_{LC}$ |
| BSR-1P | $P_W = \max(P_{BSR}, \rho g(z - T_{LC}))$ | $P_W = P_{W,WL} - \rho g(z - T_{LC})$ | $P_W = 0.0$ |
| BSR-2P | $P_W = \max(-P_{BSR}, \rho g(z - T_{LC}))$ | | |
| BSR-1S | $P_W = \max(P_{BSR}, \rho g(z - T_{LC}))$ | | |
| BSR-2S | $P_W = \max(-P_{BSR}, \rho g(z - T_{LC}))$ | | |

where:

For BSR-1P and BSR-2P load cases

$$P_{BSR} = f_{\beta} f_{nl} \left(10y \sin \theta + 0.4 f_p C_W \sqrt{\frac{L_0 + \lambda - 125}{L}} (f_{yB1} + 1) \right)$$

For BSR-1S and BSR-2S load cases

$$P_{BSR} = f_{\beta} f_{nl} \left(-10y \sin \theta + 0.4 f_p C_W \sqrt{\frac{L_0 + \lambda - 125}{L}} (f_{yB1} + 1) \right)$$

f_{nl} : Coefficient considering non-linear effects, to be taken as:

a) For extreme sea loads design load scenario for strength assessment :

$$f_{nl} = 1$$

b) For ballast water exchange design load scenario for strength assessment :

$$f_{nl} = 1$$

f_p : Coefficient to be taken as:

$$f_p = f_{ps}$$

λ : Wave length of the dynamic load case, in m, to be taken as:

$$\lambda = \frac{g T_{\theta}^2}{2\pi}$$

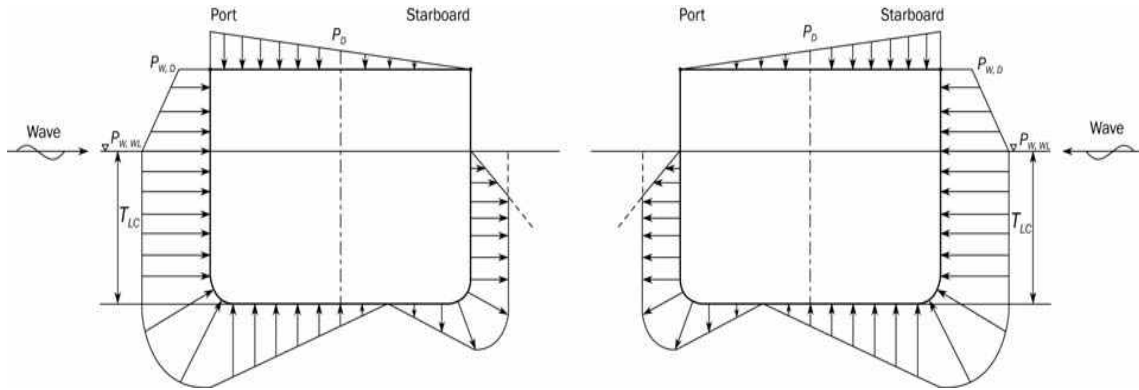


Figure 4 : Transverse distribution of dynamic pressure for BSR-1P(left)와 BSR-1S(right) load cases

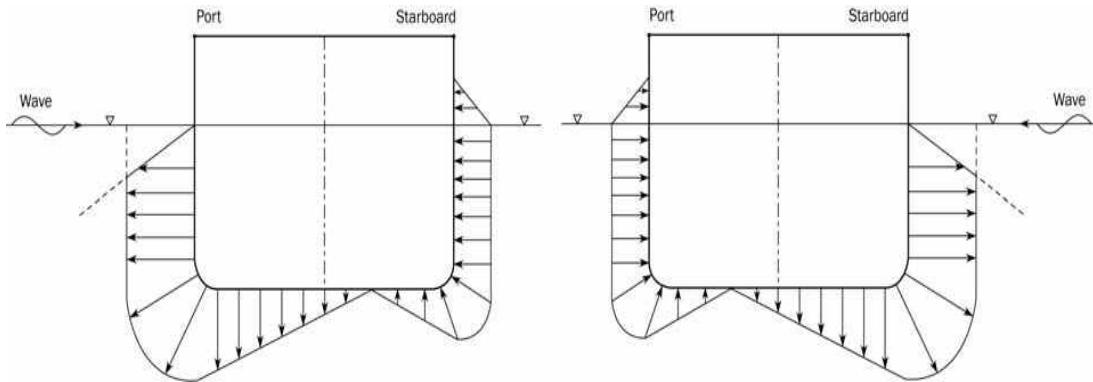


Figure 5 : Transverse distribution of dynamic pressure for BSR-2P(left)와 BSR-2S(right) load cases

1.3.6 Hydrodynamic pressure for BSP load cases

The wave pressure, P_W , for BSP-1 and BSP-2 load cases, at any load point, in kN/m^2 , are to be obtained from Table 16.

Table 16 : Hydrodynamic pressures for BSP load cases

| Load case | Wave pressure, in kN/m^2 | | |
|-----------|--|--|--------------------|
| | $z \leq T_{LC}$ | $T_{LC} < z \leq h_W + T_{LC}$ | $z > h_W + T_{LC}$ |
| BSP-1P | $P_W = \max (P_{BSP}, \rho g (z - T_{LC}))$ | $P_W = P_{W,WL} - \rho g (z - T_{LC})$ | $P_W = 0.0$ |
| BSP-2P | $P_W = \max (-P_{BSP}, \rho g (z - T_{LC}))$ | | |
| BSP-1S | $P_W = \max (P_{BSP}, \rho g (z - T_{LC}))$ | | |
| BSP-2S | $P_W = \max (-P_{BSP}, \rho g (z - T_{LC}))$ | | |

where:

$$P_{BSP} = f_R f_{\beta} f_p f_{nl} f_h k_a k_p f_{yz} C_W \sqrt{\frac{L_0 + \lambda - 125}{L}}$$

f_p : Coefficient to be taken as:

$$f_p = f_{ps}$$

f_{nl} : Coefficient considering non-linear effects, to be taken as:

a) For extreme sea loads design load scenario for strength assessment :

$$f_{nl} = 0.6 \text{ at } f_{xL} = 0$$

$$f_{nl} = 0.8 \text{ for } 0.3 \leq f_{xL} < 0.7$$

$$f_{nl} = 0.6 \text{ at } f_{xL} = 1$$

b) For ballast water exchange design load scenario for strength assessment :

$$f_{nl} = 0.6 \text{ at } f_{xL} = 0$$

$$f_{nl} = 0.8 \text{ for } 0.3 \leq f_{xL} < 0.7$$

$$f_{nl} = 0.6 \text{ at } f_{xL} = 1$$

Intermediate values are obtained by linear interpolation.

f_h : Design wave height coefficient to be taken as:

$$f_h = (3.7 - 1.2f_T) [1.6(L/B)^{-1} + 0.33]$$

k_a : Amplitude coefficient in the longitudinal direction of the ship, to be taken as:

Table 17: k_a values for BSP load cases

| | | | | |
|----------|-----|-----|-----|-----|
| f_{xL} | 0 | 0.3 | 0.7 | 1 |
| k_a | 0.5 | 1 | 1 | 0.7 |

Intermediate values are obtained by linear interpolation.

k_p : Phase coefficient in the longitudinal direction of the ship, to be taken as:

$$k_p = 1$$

f_{yz} : Girth distribution coefficient, to be taken as:

Table 18: f_{yz} factor application for BSP load cases

| Transverse position | BSP-1P, BSP-2P | BSP-1S, BSP-2S |
|---------------------|------------------------------------|------------------------------------|
| $y \geq 0$ | $f_{yz} = 7f_{zT} + 6f_{yB} + 1$ | $f_{yz} = 3f_{zT} + 2.5f_{yB} + 1$ |
| $y < 0$ | $f_{yz} = 3f_{zT} + 2.5f_{yB} + 1$ | $f_{yz} = 7f_{zT} + 6f_{yB} + 1$ |

λ : Wave length of the dynamic load case, in m, to be taken as:

$$\lambda = [0.5 - 0.4(1 - f_T)]L$$

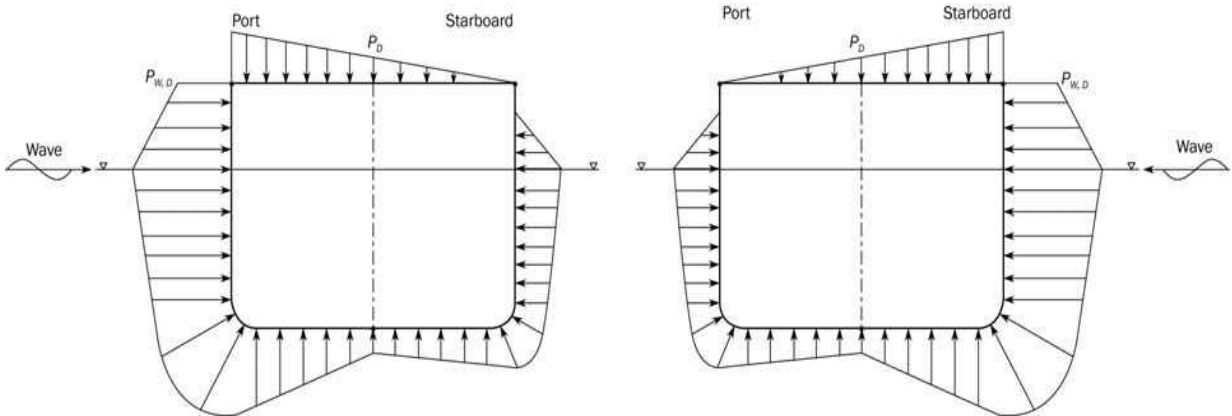


Figure 6 : Transverse distribution of dynamic pressure for BSP-1P(left)와 BSP-1S(right) load cases

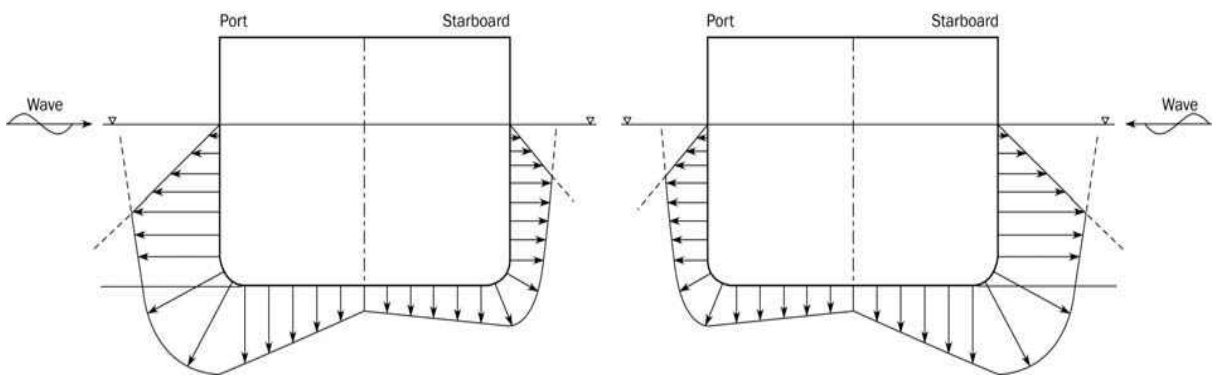


Figure 7 : Transverse distribution of dynamic pressure for BSP-2P(left)와 BSP-2S(right) load cases

1.3.7 Hydrodynamic pressure for OST load cases

The wave pressures, P_W , for OST-1 and OST-2 load cases, at any load point are to be obtained, in kN/m^2 , from Table 19.

Table 19 : Hydrodynamic pressures for OST load cases

| Load case | Wave pressure, in kN/m^2 | | |
|-----------|--|--|--------------------|
| | $z \leq T_{LC}$ | $T_{LC} < z \leq h_W + T_{LC}$ | $z > h_W + T_{LC}$ |
| OST-1P | $P_W = \max (P_{OST}, \rho g (z - T_{LC}))$ | $P_W = P_{W,WL} - \rho g (z - T_{LC})$ | $P_W = 0.0$ |
| OST-2P | $P_W = \max (-P_{OST}, \rho g (z - T_{LC}))$ | | |
| OST-1S | $P_W = \max (P_{OST}, \rho g (z - T_{LC}))$ | | |
| OST-2S | $P_W = \max (-P_{OST}, \rho g (z - T_{LC}))$ | | |

where:

$$P_{OST} = f_R f_\beta f_p f_{nl} f_h k_a k_p f_{yz} C_W \sqrt{\frac{L_0 + \lambda - 125}{L}}$$

f_p : Coefficient to be taken as:

$$f_p = f_{ps}$$

f_{nl} : Coefficient considering non-linear effects, to be taken as:

a) For extreme sea loads design load scenario for strength assessment :

$$f_{nl} = 0.8$$

b) For ballast water exchange design load scenario for strength assessment :

$$f_{nl} = 0.9$$

f_h : Design wave height coefficient to be taken as:

$$f_h = (1 - f_T)(70L^{-0.11} - 36) + (1.25f_T)$$

k_a : Amplitude coefficient in the longitudinal direction of the ship, to be taken as:

$$k_a = k_{a-WL}f_{zT} + k_{a-CL}(1 - f_{zT})$$

Intermediate values are to be interpolated.

Table 20 : k_{a-WL} values for OST load cases

| Transverse position | OST-1P, OST-2P | | OST-1S, OST-2S | |
|---------------------|----------------|------------------|----------------|------------------|
| | f_{xL} | k_{a-WL} | f_{xL} | k_{a-WL} |
| $y \geq 0$ | 0 | $1.55 - 0.85f_T$ | 0 | $7.5 - 6f_T$ |
| | 0.2 | $1.4 - 0.85f_T$ | 0.1 | $4.5 - 3.9f_T$ |
| | 0.3 | $1.15 - 0.7f_T$ | 0.2 | $3.0 - f_T$ |
| | 0.5 | 1 | 0.3 | $3.0 - f_T$ |
| | 0.6 | 1.1 | 0.4 | $1.9 - 1.45f_T$ |
| | 0.7 | 0.9 | 0.6 | $3.35 - 1.6f_T$ |
| | 0.85 | $0.45 - 0.2f_T$ | 0.8 | $3.9 - 2.0f_T$ |
| | 1 | $1.05 - 0.15f_T$ | 1 | $7.5 - 2.5f_T$ |
| $y < 0$ | 0 | $7.5 - 6f_T$ | 0 | $1.55 - 0.85f_T$ |
| | 0.1 | $4.5 - 3.9f_T$ | 0.2 | $1.4 - 0.85f_T$ |
| | 0.2 | $3.0 - f_T$ | 0.3 | $1.15 - 0.7f_T$ |
| | 0.3 | $3.0 - f_T$ | 0.5 | 1 |
| | 0.4 | $1.9 - 1.45f_T$ | 0.6 | 1.1 |
| | 0.6 | $3.35 - 1.6f_T$ | 0.7 | 0.9 |
| | 0.8 | $3.9 - 2.0f_T$ | 0.85 | $0.45 - 0.2f_T$ |
| | 1 | $7.5 - 2.5f_T$ | 1 | $1.05 - 0.15f_T$ |

Table 21 : k_{a-CL} values for OST load cases

| f_{xL} | 0 | 0.1 | 0.3 | 0.45 | 0.65 | 0.8 | 1 |
|------------|---------------|----------------|---------------|------|------|------|--------------|
| k_{a-CL} | $11 - 8.5f_T$ | $3.3 - 2.2f_T$ | $1 - 0.85f_T$ | 1 | 1 | 0.45 | $8 - 3.0f_T$ |

k_p : Phase coefficient in the longitudinal direction of the ship, to be taken as:

$$k_p = k_{p-WL} f_{zT} + k_{p-CL} (1 - f_{zT})$$

Intermediate values are to be interpolated.

Table 22: k_{p-WL} values for OST load cases

| Transverse position | OST-1P, OST-2P | | OST-1S, OST-2S | |
|---------------------|------------------|-------------------|------------------|-------------------|
| | f_{xL} | k_{p-WL} | f_{xL} | k_{p-WL} |
| $y \geq 0$ | 0 | 1 | 0 | $0.15 + 0.8f_T$ |
| | 0.25 | 1 | $0.5 - 0.4f_T$ | $2.0 - 2.3f_T$ |
| | 0.4 | -1 | $0.65 - 0.25f_T$ | $3.45 - 3.5f_T$ |
| | 0.6 | -1 | $0.7 - 0.25f_T$ | $2.9 - 3.8f_T$ |
| | 0.75 | $-0.36 - 0.1f_T$ | $1.5 - f_T$ | $-0.4 - 0.4f_T$ |
| | 0.85 | 1 | 0.9 | $-0.7 - 0.15f_T$ |
| | 1 | $-0.15 - 0.25f_T$ | 1 | $-0.7 - 0.15f_T$ |
| $y < 0$ | 0 | $0.15 + 0.8f_T$ | 0 | 1 |
| | $0.5 - 0.4f_T$ | $2.0 - 2.3f_T$ | 0.25 | 1 |
| | $0.65 - 0.25f_T$ | $3.45 - 3.5f_T$ | 0.4 | -1 |
| | $0.7 - 0.25f_T$ | $2.9 - 3.8f_T$ | 0.6 | -1 |
| | $1.5 - f_T$ | $-0.4 - 0.4f_T$ | 0.75 | $-0.36 - 0.1f_T$ |
| | 0.9 | $-0.7 - 0.15f_T$ | 0.85 | 1 |
| | 1 | $-0.7 - 0.15f_T$ | 1 | $-0.15 - 0.25f_T$ |

Table 23: k_{p-CL} values for OST load cases

| | | | | | | |
|------------|---|-----------------|------------------|-----------------|----------------|-------|
| f_{xL} | 0 | $0.5 - 0.25f_T$ | $0.55 - 0.25f_T$ | $0.25 + 0.5f_T$ | $1.3 - 0.5f_T$ | 1 |
| k_{p-CL} | 1 | $2 - 1.25f_T$ | -1 | -1 | $f_T - 1.5$ | -0.75 |

f_{yz} : Girth distribution coefficient, to be taken as:

Table 24: f_{yz} factor application for OST load cases

| Transverse position | OST-1P, OST-2P | OST-1S, OST-2S |
|---------------------|--|--|
| $y \geq 0$ | $f_{yz} = 7f_{zT} + 3.5f_{yB} + 1.2$ | $f_{yz} = 1.4f_{zT} + 0.2f_{yB} + 1.2$ |
| $y < 0$ | $f_{yz} = 1.4f_{zT} + 0.2f_{yB} + 1.2$ | $f_{yz} = 7f_{zT} + 3.5f_{yB} + 1.2$ |

λ : Wave length of the dynamic load case, in m, to be taken as:

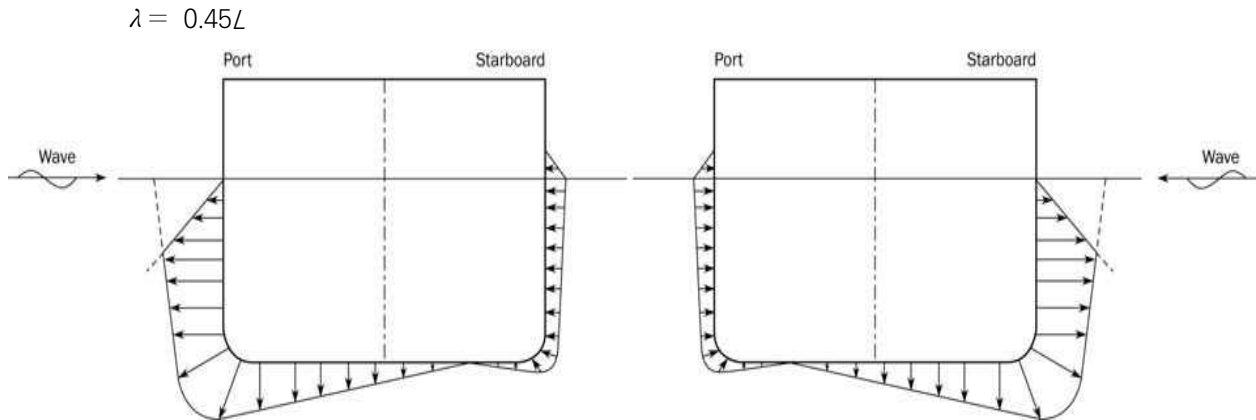


Figure 8 : Transverse distribution of dynamic pressure for OST-1P(left)와 OST-1S(right) load cases

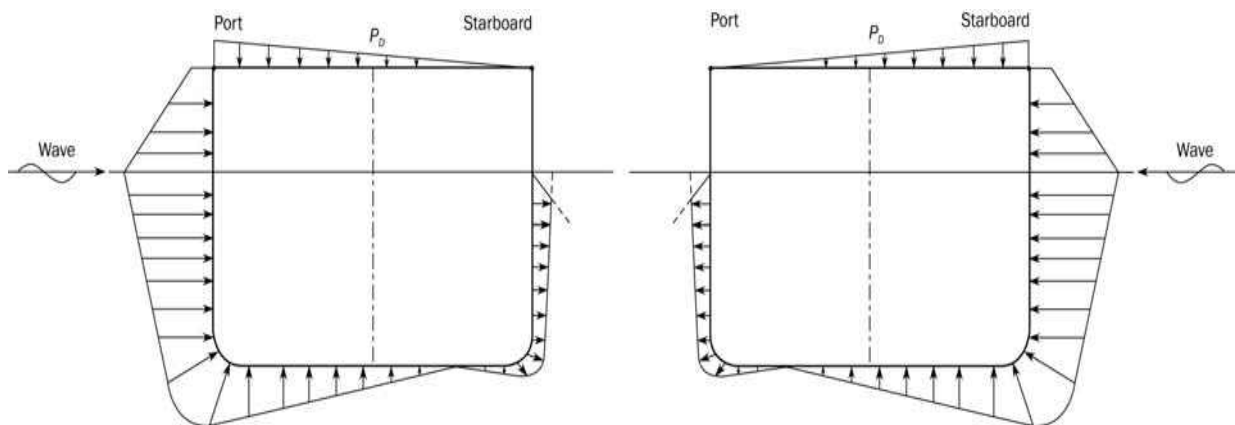


Figure 9 : Transverse distribution of dynamic pressure for OST-2P(left)와 OST-2S(right) load cases

1.3.8 Hydrodynamic pressure for OSA load cases

The wave pressures, P_W , for OSA-1 and OSA-2 load cases, at any load point, in kN/m^2 , are to be obtained from Table 25.

Table 25 : Hydrodynamic pressures for OSA load cases

| Load case | Wave pressure, in kN/m^2 | | |
|-----------|--|---|--------------------|
| | $z \leq T_{LC}$ | $T_{LC} < z \leq h_W + T_{LC}$ | $z > h_W + T_{LC}$ |
| OSA-1P | $P_W = \max (P_{OSA}, \rho g (z - T_{LC}))$ | $P_W = P_{W, WL} - \rho g (z - T_{LC})$ | $P_W = 0.0$ |
| OSA-2P | $P_W = \max (-P_{OSA}, \rho g (z - T_{LC}))$ | | |
| OSA-1S | $P_W = \max (P_{OSA}, \rho g (z - T_{LC}))$ | | |
| OSA-2S | $P_W = \max (-P_{OSA}, \rho g (z - T_{LC}))$ | | |

where:

$$P_{OSA} = f_R f_\beta f_p f_{ni} f_h k_a k_p f_{yz} C_W \sqrt{\frac{L_0 + \lambda - 125}{L}}$$

f_p : Coefficient to be taken as:

$$f_p = f_{ps}$$

f_{nl} : Coefficient considering non-linear effects, to be taken as:
a) For extreme sea loads design load scenario for strength assessment :

$$f_{nl} = 0.5 \text{ at } f_{xL} = 0$$

$$f_{nl} = 0.7 \text{ at } 0.3 \leq f_{xL} < 0.7$$

$$f_{nl} = 0.5 \text{ at } f_{xL} = 1$$

b) For ballast water exchange design load scenario for strength assessment :

$$f_{nl} = 0.7 \text{ at } f_{xL} = 0$$

$$f_{nl} = 0.8 \text{ at } 0.3 \leq f_{xL} < 0.7$$

$$f_{nl} = 0.7 \text{ at } f_{xL} = 1$$

Intermediate values are obtained by linear interpolation.

f_h : Design wave height coefficient to be taken as:

$$f_h = \exp\left[-(L/170)^2/f_T\right] + 1.2$$

k_a : Amplitude coefficient in the longitudinal direction of the ship, to be taken as:

$$k_a = k_{a-WL}f_{zT} + k_{a-CL}(1 - f_{zT})$$

Intermediate values are to be interpolated.

Table 26: k_{a-WL} values for OSA load cases

| Transverse position | OSA-1P, OSA-2P | | OSA-1S, OSA-2S | |
|---------------------|----------------|-----------------|----------------|------------------|
| | f_{xL} | k_{a-WL} | f_{xL} | k_{a-WL} |
| $y \geq 0$ | 0 | $0.5 - 0.3f_T$ | 0 | $4.65 - 2.9f_T$ |
| | 0.1 | 0.1 | 0.4 | $1.5f_T - 0.55$ |
| | 0.5 | 1 | | |
| | 0.65 | 1 | 0.65 | $4.0 - 2.45f_T$ |
| | 0.9 | $1.9 - 0.5f_T$ | 0.8 | $4.1 - 2.65f_T$ |
| | 1 | $2.65 - f_T$ | 1 | $10 - 4.1f_T$ |
| $y < 0$ | 0 | $4.65 - 2.9f_T$ | 0 | $0.5 - 0.3f_T$ |
| | 0.4 | $1.5f_T - 0.55$ | 0.1 | 0.1 |
| | | | 0.35 | $1.25 - 0.15f_T$ |
| | | | 0.5 | 1 |
| | 0.65 | $4.0 - 2.45f_T$ | 0.65 | 1 |
| | 0.8 | $4.1 - 2.65f_T$ | 0.9 | $1.9 - 0.5f_T$ |
| 1 | $10 - 4.1f_T$ | 1 | $2.65 - f_T$ | |

Table 27: k_{a-CL} values for OSA load cases

| | | | | | | | |
|------------|--------------|-----|-----|-----------------|-----------------|-------------|-----------------|
| f_{xL} | 0 | 0.2 | 0.6 | 0.65 | 0.8 | 0.9 | 1 |
| k_{a-CL} | $5.5 - 2f_T$ | 1 | 1 | $1.5f_T - 0.45$ | $1.35 + 0.4f_T$ | $5.6 - f_T$ | $11.0f_T - 3.6$ |

k_p : Phase coefficient in the longitudinal direction of the ship, to be taken as:

$$k_p = k_{p-WL}f_{zT} + k_{p-CL}(1 - f_{zT})$$

Intermediate values are to be interpolated.

Table 28: k_{p-WL} values for OSA load cases

| Transverse position | OSA-1P, OSA-2P | | OSA-1S, OSA-2S | |
|---------------------|------------------|-----------------|------------------|-----------------|
| | f_{xL} | k_{p-WL} | f_{xL} | k_{p-WL} |
| $y \geq 0$ | 0 | 1 | 0 | $0.9 - 0.55f_T$ |
| | 0.1 | 1 | $0.6 - 0.5f_T$ | $0.8 - 0.5f_T$ |
| | $0.9 - 0.5f_T$ | 1 | 0.35 | $0.5f_T$ |
| | 0.6 | 0 | $0.25f_T + 0.25$ | -1 |
| | $0.5f_T + 0.3$ | -1 | 0.8 | -1 |
| | 0.9 | -1 | $1.1 - 0.25f_T$ | -0.75 |
| | 1 | -1 | 1 | -0.75 |
| $y < 0$ | 0 | $0.9 - 0.55f_T$ | 0 | 1 |
| | $0.6 - 0.5f_T$ | $0.8 - 0.5f_T$ | 0.1 | 1 |
| | 0.35 | $0.5f_T$ | $0.9 - 0.5f_T$ | 1 |
| | $0.25f_T + 0.25$ | -1 | 0.6 | 0 |
| | 0.8 | -1 | $0.5f_T + 0.3$ | -1 |
| | $1.1 - 0.25f_T$ | -0.75 | 0.9 | -1 |
| | 1 | -0.75 | 1 | -1 |

Table 29: k_{p-CL} values for OSA load cases

| | | | | | | |
|------------|-----|------------------|-----------------|-----------------|-------|------|
| f_{xL} | 0 | $0.35 - 0.25f_T$ | $0.15f_T + 0.1$ | $0.7 - 0.25f_T$ | 0.75 | 1 |
| k_{p-CL} | 0.5 | $0.7 - 0.2f_T$ | 0.9 | 0.9 | -0.75 | -0.9 |

f_{yz} : Girth distribution coefficient, to be taken as:

Table 30: f_{yz} factor application for OSA load cases

| Transverse position | OSA-1P, OSA-2P | OSA-1S, OSA-2S |
|---------------------|------------------------------------|------------------------------------|
| $y \geq 0$ | $f_{yz} = 5f_{zT} + 3f_{yB} + 1$ | $f_{yz} = 2f_{zT} + 0.5f_{yB} + 1$ |
| $y < 0$ | $f_{yz} = 2f_{zT} + 0.5f_{yB} + 1$ | $f_{yz} = 5f_{zT} + 3f_{yB} + 1$ |

λ : Wave length of the dynamic load case, in m, to be taken as:

$$\lambda = [0.6 - 0.15(1 - f_T)] L$$

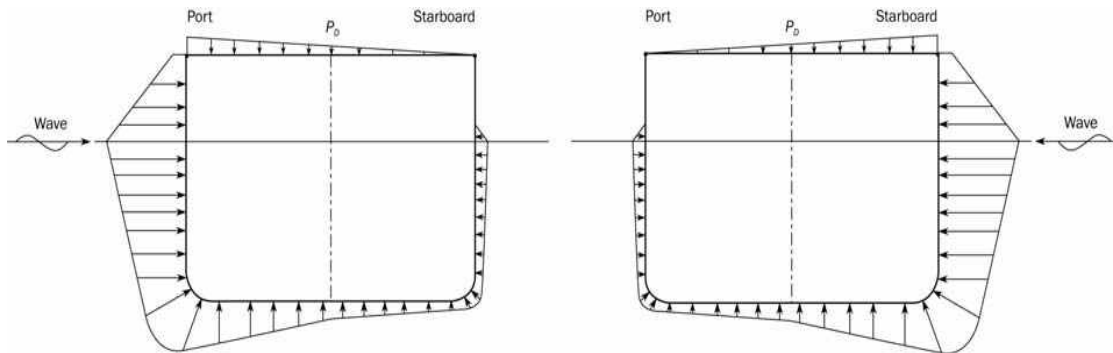


Figure 10 : Transverse distribution of dynamic pressure for OSA-1P(left), OSA-1S(right) load cases

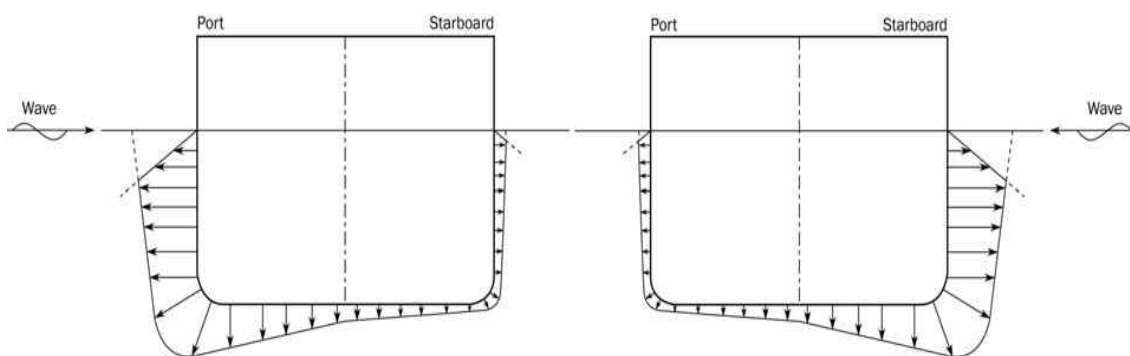


Figure 11 : Transverse distribution of dynamic pressure for OSA-2P(left), OSA-2S(right) load cases

1.3.9 Envelope of dynamic pressure

The envelope of dynamic pressure at any point, P_{ex-max} , is to be taken as the greatest pressure obtained from any of the load cases determined by [1.3.2] to [1.3.8].

1.4 External dynamic pressures for fatigue assessments

1.4.1 General

The external pressure P_{ex} at any load point of the hull for the fatigue static plus dynamic (F:S+D) design load scenario, is to be derived for each fatigue dynamic load case and is to be taken as:

$$P_{ex} = P_S + P_W \text{ but not less than } 0.$$

P_S : Hydrostatic pressure, in kN/m^2 , defined in [1.2].

P_W : Hydrodynamic pressure, in kN/m^2 , is defined in [1.4.2] to [1.4.6].

1.4.2 Hydrodynamic pressures for HSM load cases

The hydrodynamic pressures, P_W , for load cases HSM-1 and HSM-2, at any load point, in kN/m^2 , are to be obtained from Table 31.

Table 31 : Hydrodynamic pressures for HSM load cases

| Load Case | Wave Pressure(kN/m ²) | | |
|-----------|---|---------------------------------------|--------------------|
| | $Z \leq T_{LC}$ | $T_{LC} < Z \leq h_W + T_{LC}$ | $Z > h_W + T_{LC}$ |
| HSM-1 | $P_W = \max(-P_{HS}, \rho g(z - T_{LC}))$ | $P_W = P_{W,WL} - \rho g(z - T_{LC})$ | $P_W = 0.0$ |
| HSM-2 | $P_W = \max(P_{HS}, \rho g(z - T_{LC}))$ | | |

where:

$$P_{HS} = f_p f_h k_a k_p f_{yz} C_W \sqrt{\frac{L_0 + \lambda - 125}{L}}$$

f_p : Coefficient to be taken as:

$$f_p = f_{fa} [(2.70 - 2f_T) + (6 - 4f_T)L \times 10^{-5}]$$

f_h : Coefficient to be taken as:

$$f_h = \exp(-(L/100)^2/f_T) + (0.31 + 0.01f_T)$$

k_a : Amplitude coefficient in the longitudinal direction of the ship, to be taken as:

$$k_a = k_{a-WL} f_{zT} + k_{a-CL} (1 - f_{zT})$$

Intermediate values are to be interpolated.

Table 32 : k_{a-WL} values for HSM load cases

| | | | | | | | |
|------------|--------------|----------|--------------|---------------|------------------|----------------|---------------|
| f_{xL} | 0 | 0.2 | 0.3 | 0.4 | $0.55 + (1 - f)$ | 0.85 | 1 |
| k_{a-WL} | $3f_T - 0.5$ | $0.5f_T$ | $4.5f_T - 3$ | $3.75f_T - 2$ | $2 - 1.25f_T$ | $14.25f_T - 9$ | $15f_T - 5.5$ |

Table 33 : k_{a-CL} values for HSM load cases

| | | | | | | | |
|------------|---------------|----------|------|------|---------------|----------------|---------------|
| f_{xL} | 0 | 0.25 | 0.45 | 0.65 | 0.75 | 0.9 | 1 |
| k_{a-CL} | $3.75f_T - 1$ | $0.5f_T$ | 1 | 1 | $4f_T - 2.25$ | $6.5f_T - 1.5$ | $13.5 - 4f_T$ |

k_p : Phase coefficient in the longitudinal direction of the ship, to be taken as:

$$k_p = k_{p-WL} f_{zT} + k_{p-CL} (1 - f_{zT})$$

Intermediate values are to be interpolated.

Table 34 : k_{p-WL} values for HSM load cases

| | | | | | | |
|------------|------|-----------------------|----------------------|----------------------|-----------------------|----|
| f_{xL} | 0 | $0.2 + 0.25(1 - f_T)$ | $0.25 + 0.25(1 - f)$ | $0.5 + 0.5(1 - f_T)$ | $0.6 + 0.75(1 - f_T)$ | 1 |
| k_{p-WL} | -0.5 | -1 | 1 | 1 | -1 | -1 |

Table 35 : k_{p-CL} values for HSM load cases

| | | | | | | |
|------------|--------------|--------------|-----------|--------------|-------------------|----|
| f_{xL} | 0 | 0.25 | 0.3 | 0.5 | 0.8 | 1 |
| k_{p-CL} | $2.5 - 3f_T$ | $1.5f_T - 2$ | $0.75f_T$ | $1.75 - f_T$ | $-(0.75 + 0.25f)$ | -1 |

f_{yz} : Girth distribution coefficient, to be taken as:

$$f_{yz} = 2f_{zT} + 0.8f_{yB} + 1.34$$

λ : Wave length of the dynamic load case, in m, to be taken as:

$$\lambda = [0.95 - 0.4(1 - f_T)] L$$

1.4.3 Hydrodynamic pressures for FSM load cases

The hydrodynamic pressures, P_W , for load cases FSM-1 and FSM-2, at any load point, in kN/m^2 , are to be obtained from Table 36.

Table 36 : Hydrodynamic pressures for FSM load cases

| Load Case | Wave Pressure(kN/m^2) | | |
|-----------|---|---------------------------------------|--------------------|
| | $z \leq T_{LC}$ | $T_{LC} < z \leq h_W + T_{LC}$ | $z > h_W + T_{LC}$ |
| FSM-1 | $P_W = \max(-P_{FS}, \rho g(z - T_{LC}))$ | $P_W = P_{W,WL} - \rho g(z - T_{LC})$ | $P_W = 0$ |
| FSM-2 | $P_W = \max(P_{FS}, \rho g(z - T_{LC}))$ | | |

where:

$$P_{FS} = f_p f_h k_a k_p f_{yz} C_W \sqrt{\frac{L_0 + \lambda - 125}{L}}$$

f_p : Coefficient to be taken as:

$$f_p = f_{fa} [(1 - 0.2f_T) + (6 - 4f_T)L \times 10^{-5}]$$

f_h : Coefficient to be taken as:

$$f_h = (4.8 - 1.26f_T)(7.7L^{-1} + 0.07)$$

k_a : Amplitude coefficient in the longitudinal direction of the ship, to be taken as:

$$k_a = k_{a-WL} f_{zT} + k_{a-CL} (1 - f_{zT})$$

Intermediate values are to be interpolated.

Table 37 : k_{a-WL} values for FSM load cases

| | | | | | | |
|------------|------------|-----------------------|------------------------|------|-------------|----------------|
| f_{xL} | 0 | $0.2 + 0.25(1 - f_T)$ | $0.35 + 0.25(1 - f_T)$ | 0.55 | 0.75 | 1 |
| k_{a-WL} | $6 - 5f_T$ | $0.3 + 0.2f_T$ | $0.5 + 0.5f_T$ | 1 | $f_T - 0.5$ | $7.5 - 5.5f_T$ |

Table 38 : k_{a-CL} values for FSM load cases

| | | | | | | |
|------------|-------------|-----------------------|------|------|------|-----------------|
| f_{xL} | 0 | $0.2 + 0.25(1 - f_T)$ | 0.35 | 0.55 | 0.70 | 1 |
| k_{a-CL} | $3.5 - f_T$ | $0.25f_T$ | 1 | 1 | 0.2 | $3.25 + 0.5f_T$ |

k_p : Phase coefficient in the longitudinal direction of the ship, to be taken as:

$$k_p = k_{p-WL} f_{zT} + k_{p-CL} (1 - f_{zT})$$

Intermediate values are to be interpolated.

Table 39 : k_{p-WL} values for FSM load cases

| | | | | | | |
|------------|----|-----------------------|-----|----------------------|-----------------------|-------|
| f_{xL} | 0 | $0.15 + 0.5(1 - f_T)$ | 0.3 | $0.6 + 0.5(1 - f_T)$ | $0.8 - 0.25(1 - f_T)$ | 1 |
| k_{p-WL} | -1 | -1 | 1 | 1 | -1 | -0.75 |

Table 40 : k_{p-CL} values for FSM load cases

| | | | | | | |
|------------|----|-----------------------|------------------------|------|------|-------|
| f_{xL} | 0 | $0.2 + 0.25(1 - f_T)$ | $0.25 + 0.25(1 - f_T)$ | 0.65 | 0.75 | 1 |
| k_{p-CL} | -1 | -1 | 1 | 1 | -1 | -0.75 |

f_{yz} : Girth distribution coefficient, to be taken as:

$$f_{yz} = 1.6f_{zT} + 0.6f_{yB} + 1.5$$

λ : Wave length of the dynamic load case, in m, to be taken as:

$$\lambda = [1.1 - 0.26(1 - f_T)]L$$

1.4.4 Hydrodynamic pressures for BSR load cases

The hydrodynamic pressures, P_W , for load cases BSR-1 and BSR-2, at any load point, in kN/m^2 , are to be obtained from Table 41.

Table 41 : Hydrodynamic pressures for BSR load cases

| Load Case | Wave Pressure(kN/m^2) | | |
|-----------|--|---|--------------------|
| | $z \leq T_{LC}$ | $T_{LC} < z \leq h_W + T_{LC}$ | $z > h_W + T_{LC}$ |
| BSR-1P | $P_W = \max (P_{BSR}, \rho g (z - T_{LC}))$ | $P_W = P_{W, WL} - \rho g (z - T_{LC})$ | $P_W = 0$ |
| BSR-2P | $P_W = \max (-P_{BSR}, \rho g (z - T_{LC}))$ | | |
| BSR-1S | $P_W = \max (P_{BSR}, \rho g (z - T_{LC}))$ | | |
| BSR-2S | $P_W = \max (-P_{BSR}, \rho g (z - T_{LC}))$ | | |

where:

For BSR-1P and BSR-2P load cases

$$P_{BSR} = -10y \sin \theta + 0.4f_p C_W \sqrt{\frac{L_0 + \lambda - 125}{L}} (f_{yB1} + 1)$$

For BSR-1S and BSR-2S load cases

$$P_{BSR} = 10y \sin \theta + 0.4f_p C_W \sqrt{\frac{L_0 + \lambda - 125}{L}} (f_{yB1} + 1)$$

f_p : Coefficient to be taken as:

$$f_p = f_{fa} [(0.23 + 0.04f_T) + (2 - 12f_T)B \times 10^{-4}]$$

λ : Wave length of the dynamic load case, in m, to be taken as:

$$\lambda = \frac{gT_0^2}{2\pi}$$

1.4.5 Hydrodynamic pressures for BSP load cases

The hydrodynamic pressures, P_W , for load cases BSP-1 and BSP-2, at any load point, in kN/m^2 , are to be obtained from Table 42.

Table 42 : Hydrodynamic pressures for BSP load cases

| Load Case | Wave Pressure(kN/m ²) | | |
|-----------|--|--|--------------------|
| | $z \leq T_{LC}$ | $T_{LC} < z \leq h_W + T_{LC}$ | $z > h_W + T_{LC}$ |
| BSP-1P | $P_W = \max (P_{BSP}, \rho g (z - T_{LC}))$ | $P_W = P_{W,WL} - \rho g (z - T_{LC})$ | $P_W = 0.0$ |
| BSP-2P | $P_W = \max (-P_{BSP}, \rho g (z - T_{LC}))$ | | |
| BSP-1S | $P_W = \max (P_{BSP}, \rho g (z - T_{LC}))$ | | |
| BSP-2S | $P_W = \max (-P_{BSP}, \rho g (z - T_{LC}))$ | | |

where:

$$P_{BSP} = f_p f_h k_a k_p f_{yz} C_W \sqrt{\frac{L_0 + \lambda - 125}{L}}$$

f_p : Coefficient to be taken as:

$$f_p = f_{fa} [(0.4 + 1.1f_T) + (1 - 10f_T)B \times 10^{-3}]$$

f_h : Coefficient to be taken as:

$$f_h = (4 - f_T)(0.55(L/B)^{-1} + 0.01)$$

k_a : Amplitude coefficient in the longitudinal direction of the ship, to be taken as:

Table 43 : k_a values for BSP load cases

| | | | | |
|----------|-----|-----|-----|-----|
| f_{xL} | 0 | 0.3 | 0.7 | 1 |
| k_a | 0.5 | 1 | 1 | 0.7 |

Intermediate values are to be interpolated.

k_p : Phase coefficient in the longitudinal direction of the ship, to be taken as:

$$k_p = 1$$

f_{yz} : Girth distribution coefficient, to be taken as:

Table 44 : f_{yz} factor application for BSP load cases

| Transverse position | BSP-1P, BSP-2P | BSP-1S, BSP-2S |
|---------------------|------------------------------------|------------------------------------|
| $y \geq 0$ | $f_{yz} = 7f_{zT} + 6f_{yB} + 1$ | $f_{yz} = 3f_{zT} + 2.5f_{yB} + 1$ |
| $y < 0$ | $f_{yz} = 3f_{zT} + 2.5f_{yB} + 1$ | $f_{yz} = 7f_{zT} + 6f_{yB} + 1$ |

λ : Wave length of the dynamic load case, in m, to be taken as:

$$\lambda = [0.5 - 0.4(1 - f_T)]L$$

1.4.6 Hydrodynamic pressures for OST load cases

The hydrodynamic pressures, P_W , for load cases OST-1 and OST-2, at any load point, in kN/m², are to be obtained from Table 45.

Table 45 : Hydrodynamic pressures for OST load cases

| Load Case | Wave Pressure(kN/m ²) | | |
|-----------|--|---|--------------------|
| | $z \leq T_{LC}$ | $T_{LC} < z \leq h_W + T_{LC}$ | $z > h_W + T_{LC}$ |
| OST-1P | $P_W = \max (P_{OST}, \rho g (z - T_{LC}))$ | $P_W = P_{W, WL} - \rho g (z - T_{LC})$ | $P_W = 0$ |
| OST-2P | $P_W = \max (-P_{OST}, \rho g (z - T_{LC}))$ | | |
| OST-1S | $P_W = \max (P_{OST}, \rho g (z - T_{LC}))$ | | |
| OST-2S | $P_W = \max (-P_{OST}, \rho g (z - T_{LC}))$ | | |

where:

$$P_{OST} = f_p f_h k_a k_p f_{yz} C_W \sqrt{\frac{L_0 + \lambda - 125}{L}}$$

f_p : Coefficient to be taken as:

$$f_p = f_{fa} [(0.04 + 0.15f_T) - (9 - 12f_T)B \times 10^{-4}]$$

f_h : Coefficient to be taken as:

$$f_h = (1 - f_T)(41L^{-0.02} - 36) + (0.29f_T)$$

k_a : Amplitude coefficient in the longitudinal direction of the ship, to be taken as:

$$k_a = k_{a-WL} f_{zT} + k_{a-CL} (1 - f_{zT})$$

Intermediate values are to be interpolated.

Table 46 : k_{a-CL} values for OST load cases

| | | | | | | |
|------------|-----------------|------------------------|------|------|-----|----------------|
| f_{xL} | 0 | $0.25 + 0.25(1 - f_T)$ | 0.45 | 0.65 | 0.8 | 1 |
| k_{a-CL} | $8.5 - 6.25f_T$ | $1.5 - 1.25f_T$ | 1 | 1 | 0.5 | $12.25 - 6f_T$ |

Table 47: k_{a-WL} values for OST load cases

| Transverse position | OST-1P, OST-2P | | OST-1S, OST-2S | |
|---------------------|------------------------|-----------------|------------------------|-----------------|
| | f_{xL} | k_{a-WL} | f_{xL} | k_{a-WL} |
| $y \geq 0$ | 0 | $10 - 9f_T$ | 0 | $10 - 10f_T$ |
| | 0.3 | $2.25f_T - 1.5$ | 0.2 | $2.5 - 1.5f_T$ |
| | $0.4 - 0.25(1 - f_T)$ | 1 | $0.35 - 0.25(1 - f_T)$ | $0.5 - 0.25f_T$ |
| | 0.5 | 1 | $0.55 - 0.25(1 - f_T)$ | $1 + 0.25f_T$ |
| | 0.6 | 1 | 0.7 | $1 + 0.25f_T$ |
| | 0.8 | $1.25f_T - 0.5$ | $0.85 - 0.25(1 - f_T)$ | $2.5f_T - 1.5$ |
| | 1 | $19.5 - 17f_T$ | 1 | $15.5 - 13f_T$ |
| $y < 0$ | 0 | $10 - 10f_T$ | 0 | $10 - 9f_T$ |
| | 0.2 | $2.5 - 1.5f_T$ | 0.3 | $2.25f_T - 1.5$ |
| | $0.35 - 0.25(1 - f_T)$ | $0.5 - 0.25f_T$ | $0.4 - 0.25(1 - f_T)$ | 1 |
| | $0.55 - 0.25(1 - f_T)$ | $1 + 0.25f_T$ | 0.5 | 1 |
| | 0.7 | $1 + 0.25f_T$ | 0.6 | 1 |
| | $0.85 - 0.25(1 - f_T)$ | $2.5f_T - 1.5$ | 0.8 | $1.25f_T - 0.5$ |
| | 1 | $15.5 - 13f_T$ | 1 | $19.5 - 17f_T$ |

λ : Wave length of the dynamic load case, in m, to be taken as:

$$\lambda = 0.45L$$

f_{yz} : Girth distribution coefficient, to be taken as:

Table 48: f_{yz} factor application for OST load cases

| Transverse position | OST-1P, OST-2P | OST-1S, OST-2S |
|---------------------|------------------------------------|------------------------------------|
| $y \geq 0$ | $f_{yz} = 26f_{zT} + 15f_{yB} + 8$ | $f_{yz} = 18f_{zT} + 7f_{yB} + 8$ |
| $y < 0$ | $f_{yz} = 18f_{zT} + 7f_{yB} + 8$ | $f_{yz} = 26f_{zT} + 15f_{yB} + 8$ |

k_p : Phase coefficient in the longitudinal direction of the ship, to be taken as:

$$k_p = k_{p-WL}f_{zT} + k_{p-CL}(1 - f_{zT})$$

Intermediate values are to be interpolated.

Table 49: k_{p-CL} values for OST load cases

| | | | | | | |
|------------|---|------------------------|-----------------------|------|-------------|---|
| f_{xL} | 0 | $0.25 + 0.25(1 - f_T)$ | $0.3 + 0.25(1 - f_T)$ | 0.75 | 0.8 | 1 |
| k_{p-CL} | 1 | $0.5 + 0.25f_T$ | -0.5 | -1 | $f_T - 0.5$ | 0 |

Table 50: k_{p-WL} values for OST load cases

| Transverse position | OST-1P, OST-2P | | OST-1S, OST-2S | |
|---------------------|------------------------|----------------|------------------------|----------------|
| | f_{xL} | k_{p-WL} | f_{xL} | k_{p-WL} |
| $y \geq 0$ | 0 | 1 | 0 | $9 - 10f_T$ |
| | $0.2 + 0.5(1 - f_T)$ | 1 | $0.2 + 0.5(1 - f_T)$ | $6.5 - 7.5f_T$ |
| | $0.45 - 0.5(1 - f_T)$ | -1 | 0.35 | $8f_T - 7$ |
| | 0.5 | -1 | 0.75 | $1.25f_T - 2$ |
| | $0.65 + 0.5(1 - f_T)$ | -1 | 0.8 | $3.25 - 4f_T$ |
| | $0.85 - 0.25(1 - f_T)$ | $2.5f_T - 1.5$ | 0.9 | $2 - 2.5f_T$ |
| | 1 | 0.5 | 1 | 0 |
| $y < 0$ | 0 | $9 - 10f_T$ | 0 | 1 |
| | $0.2 + 0.5(1 - f_T)$ | $6.5 - 7.5f_T$ | $0.2 + 0.5(1 - f_T)$ | 1 |
| | 0.35 | $8f_T - 7$ | $0.45 - 0.5(1 - f_T)$ | -1 |
| | 0.75 | $1.25f_T - 2$ | 0.5 | -1 |
| | 0.8 | $3.25 - 4f_T$ | $0.65 + 0.5(1 - f_T)$ | -1 |
| | 0.9 | $2 - 2.5f_T$ | $0.85 - 0.25(1 - f_T)$ | $2.5f_T - 1.5$ |
| | 1 | 0 | 1 | 0.5 |

2. External pressures on exposed decks

2.1 Application

2.1.1

The external pressures and forces on exposed decks are only to be applied for strength assessment.

2.1.2

The green sea pressures defined in [2.2] for exposed decks are to be considered independently of the pressures due to distributed cargo or other equipment loads and any concentrated forces due to cargo or other unit equipment loads, defined in [2.3.1] and [2.3.2] respectively.

2.2 Green sea loads

2.2.1 Pressure on exposed deck

The external dynamic pressure due to green sea loading, P_D , at any point of an exposed deck, in kN/m^2 , for the static plus dynamic (S+D) design load scenarios is to be derived for each dynamic load case and is to be taken as defined in [2.2.3] to [2.2.4].

The external dynamic pressure due to green sea loading, P_D , at any point of an exposed deck for the static (S) design load scenarios is zero.

2.2.2

If a breakwater is fitted on the exposed deck, no reduction in the green sea pressure is allowed for the area of the exposed deck located aft of the breakwater.

2.2.3 HSM, HSA and FSM load cases

a) Case 1: External pressure for exposed deck except trunk deck

The external pressure, P_D , for HSM, HSA and FSM load cases, at any load point of an exposed deck is to be obtained, in kN/m^2 , from the following formula, see **Figure 2** and **Figure 3**.

$$P_D = \chi P_W$$

where:

$P_W = P_{W,D}$, but not to be taken less than P_{D-min} .

$P_{W,D}$: Pressure, in kN/m^2 , obtained at side of the exposed deck for HSM, HSA and FSM load cases as defined in **[1.3]**.

P_{D-min} : Minimum exposed deck pressure, in kN/m^2 , to be taken as:

- For cargo hold analysis according to **Ch 7**: $P_{D-min} = 0$.
- For other cases: P_{D-min} as defined in **Table 51**.

χ : Coefficient defined in **Table 52**.

Table 51 : Minimum pressures on exposed decks for HSM, HSA, FSM load cases

| Location | Minimum pressure on exposed deck, P_{D-min} , in kN/m^2 | |
|--|--|---|
| | $L_{LL} \geq 100\text{m}$ | $L_{LL} < 100\text{m}$ |
| $x_{LL}/L_{LL} \leq 0.75$ | 34.3 | $14.9 + 0.195L_{LL}$ |
| $x_{LL}/L_{LL} > 0.75$ | $34.3 + (14.8 + a(L_{LL} - 100))(4 \frac{x_{LL}}{L_{LL}} - 3)$ | $12.2 + \frac{L_{LL}}{9} (5 \frac{x_{LL}}{L_{LL}} - 2) + 3.6 \frac{x_{LL}}{L_{LL}}$ |
| a : 0.0726 x_{LL} : X-coordinate of the load point measured from the aft end of the freeboard length L_{LL} . | | |

Table 52 : Coefficient for pressure on exposed decks

| Exposed deck location | χ |
|---|--------|
| Freeboard deck | 1.00 |
| Superstructure deck including forecastle deck | 0.75 |
| 1st tier of deckhouse | 0.56 |
| 2nd tier of deckhouse | 0.42 |
| 3rd tier of deckhouse | 0.32 |
| 4th tier of deckhouse | 0.25 |
| 5th tier of deckhouse | 0.20 |
| 6th tier of deckhouse | 0.15 |
| 7th tier of deckhouse and above | 0.10 |

b) Case 2: External pressure for trunk deck

The external pressure, P_D , for HSM, HSA and FSM load cases, at any load point of an trunk deck

including sloping plate is to be obtained, in kN/m^2 , from the following formula.

$$P_D = 0.75^c P_W \quad \text{but not to be taken less than } 20 \text{ kN/m}^2.$$

where:

P_W : Pressure, in kN/m^2 , obtained at side of the exposed deck for HSM, HSA and FSM load cases.

- For cargo hold analysis according to **Ch 7** : $P_W = 0$.
- For other cases : P_W as defined in **[2.2.3] a)**.

c : Coefficient to be taken as:

$$c = (z - z_{fdk})/2.3$$

z : distance from baseline to load point, in m.

z_{fdk} : distance from baseline to freeboard deck considered at side, in m.

2.2.4 BSR, BSP, OST and OSA load cases

The external pressure, P_D , for BSR, BSP, OST and OSA load cases at any load point of an exposed deck is to be obtained, in kN/m^2 , by linear interpolation between the pressures at the port and starboard deck edges. (see **Figure 4** to **Figure 10**)

$$P_{D, stb} = \chi P_{W, D- stb}$$

$$P_{D, pt} = \chi P_{W, D- pt}$$

where:

$P_{W, D- stb}$: Pressure obtained at starboard deck edge for BSR, BSP, OST or OSA load cases as defined in **[1.3]**, as appropriate.

$P_{W, D- pt}$: Pressure obtained at port deck edge for BSR, BSP, OST and OSA load cases as defined in **[1.3]**, as appropriate.

χ : Coefficient defined in **Table 52**.

The external pressure, P_D , for BSR, BSP, OST and OSA load cases, at any load point of an trunk deck including slanted plate is to be obtained, in kN/m^2 , from the following formula.

$$P_D = P_{W, D- int} - \rho g(z - z_{int})$$

where:

$P_{W, D- int}$: Pressure obtained by linear interpolation in transverse direction to the transverse coordinate of the intersection of deck plate and truck deck sloping plate between $P_{W, D- stb}$ and $P_{W, D- pt}$.

z : as defined in **[2.2.3]**

z_{int} : distance from baseline to intersection of deck plate and truck deck sloping plate

2.2.5 Envelope of dynamic pressures on exposed deck

The envelope of dynamic pressure at any point of an exposed deck, $P_{D- max}$, is to be taken as the greatest pressure obtained from any of the load cases determined by **[2.2.3]** and **[2.2.4]**.

2.3 Load carried on exposed deck

2.3.1 Pressure due to distributed load

If a distributed load is carried on an exposed deck, the static and dynamic pressures due to this distributed load are to be considered.

The total pressure, P_{dl} , in kN/m^2 , due to this distributed load for the static (S) design load scenario is to

be taken as:

$$P_{dl} = P_{dl-s}$$

The pressure P_{dl} , in kN/m^2 , due to this distributed load for the static plus dynamic (S+D) design load scenario is to be derived for each dynamic load case and is to be taken as:

$$P_{dl} = P_{dl-s} + P_{dl-d}$$

where:

P_{dl-s} : Static pressure, in kN/m^2 , due to the distributed load, to be defined by the Designer and, in general, but not less than 10 kN/m^2 .

P_{dl-d} : Dynamic pressure, in kN/m^2 , due to the distributed load, to be taken as:

$$P_{dl-d} = f_{\beta} \frac{a_z}{g} P_{dl-s}$$

a_z : Vertical acceleration, in m/s^2 , at the centre of gravity of the distributed load, for the considered load case, to be obtained according to **Ch 4, Sec 3, [3.2.4]**.

2.3.2 Concentrated force due to unit load

If a unit load is carried on an exposed deck, the static and dynamic forces due to the unit load carried are to be considered.

The force F_U , in kN, due to this concentrated load for the static (S) design load scenarios, is to be taken as:

$$F_U = F_{U-s}$$

The force F_U , in kN, due to this concentrated load for the static plus dynamic (S+D) design load scenarios is to be derived for each dynamic load case and is to be taken as:

$$F_U = F_{U-s} + F_{U-d}$$

where:

F_{U-s} : Static force, in kN, due to the unit load to be taken equal to:

$$F_{U-s} = m_U g$$

F_{U-d} : Dynamic force, in kN, due to unit load to be taken equal to:

$$F_{U-d} = m_U f_{\beta} a_z$$

m_U : Mass of the unit load carried, in t .

a_z : Vertical acceleration, in m/s^2 , at the centre of gravity of the unit load carried for the considered load case, to be obtained according to **Ch 4, Sec 3, [3.2.4]**.

3. External impact pressures for the bow area

3.1 Application

3.1.1

The impact pressures for the bow area are only to be applied for strength assessment.

3.2 Bottom slamming pressure

3.2.1

The bottom slamming pressure P_{SL} , in kN/m^2 , for the bottom slamming design load scenario is to be evaluated for the following two cases:

Case 1 : An empty ballast tank or a void space in way of the bottom shell.

$$P_{SL} = 10 g \sqrt{L} f_{SL} c_{SL-et} \quad \text{for } L < 170 \text{ m}$$

$$P_{SL} = 130 g f_{SL} c_{SL-et} e^{c_1} \quad \text{for } L \geq 170 \text{ m}$$

Case 2 : A full ballast tank in way of the bottom shell.

$$P_{SL} = 10 g \sqrt{L} f_{SL} c_{SL-ft} - 1.25 \rho g (z_{top} - z) \quad \text{for } L < 170 \text{ m}$$

$$P_{SL} = 130 g f_{SL} c_{SL-ft} e^{c_1} - 1.25 \rho g (z_{top} - z) \quad \text{for } L \geq 170 \text{ m}$$

where:

c_1 : Coefficient to be taken as:

$$c_1 = 0 \quad \text{for } L \leq 180 \text{ m}$$

$$c_1 = -0.0125(L - 180)^{0.705} \quad \text{for } L > 180 \text{ m}$$

c_{SL-et} : Slamming coefficient for case with an empty ballast tank or void space:

$$c_{SL-et} = 5.95 - 10.5 \left(\frac{T_{F-e}}{L} \right)^{0.2}$$

c_{SL-ft} : Slamming coefficient for case with a full ballast tank:

$$c_{SL-ft} = 5.95 - 10.5 \left(\frac{T_{F-f}}{L} \right)^{0.2}$$

f_{SL} : Longitudinal slamming distribution factor, to be taken as:

$$f_{SL} = 0 \quad \text{for } x/L \leq 0.5$$

$$f_{SL} = 1.0 \quad \text{for } x/L = 0.5 + c_2$$

$$f_{SL} = 1.0 \quad \text{for } x/L = 0.65 + c_2$$

$$f_{SL} = 0.5 \quad \text{for } x/L \geq 1.0$$

Intermediate values of f_{SL} are to be obtained by linear interpolation.

c_2 : Coefficient to be taken as:

$$c_2 = 0.33 C_B + \frac{L}{2500} \quad \text{but not to be taken greater than 0.35.}$$

T_{F-e} : Design slamming draught at the FP to be provided by the Designer. T_{F-e} is not to be greater than the minimum draught at the FP indicated in the loading manual for all seagoing conditions where any of the ballast tanks within the bottom slamming region are empty. (2023)

T_{F-f} : Design slamming draught at the FP to be provided by the Designer. T_{F-f} is not to be greater than the minimum draught at the FP indicated in the loading manual for all seagoing conditions where all ballast tanks within the bottom slamming region are full. (2023)

z_{top} : Z-coordinate of the highest point of the tank, excluding small hatchways, in m. For strength assessment of double bottom floors and girders, z_{top} is not to be taken greater than the double bottom height.

3.2.2 Loading manual information

The loading guidance information is to clearly state the design slamming draughts and the ballast water exchange method used for each ballast tank, if any.

3.3 Bow impact pressure

3.3.1 Design pressures

The bow impact pressure P_{FB} , in kN/m^2 , to be considered for the bow impact design load scenario is to be taken as:

$$P_{FB} = 1.025 f_{FB} c_{FB} V_{im}^2 \sin \gamma_{wl}$$

where:

f_{FB} : Longitudinal bow flare impact pressure distribution factor. To be taken as:

$$\begin{aligned} f_{FB} &= 0.55 && \text{for } x/L \leq 0.9 \\ f_{FB} &= 4(x/L - 0.9) + 0.55 && \text{for } 0.9 < x/L \leq 0.9875 \\ f_{FB} &= 8(x/L - 0.9875) + 0.9 && \text{for } 0.9875 < x/L \leq 1 \\ f_{FB} &= 1.0 && \text{for } x/L > 1.0 \end{aligned}$$

V_{im} : Impact speed, in knots, to be taken as:

$$V_{im} = 0.514 V_{ref} \sin \alpha_{wl} + \sqrt{L}$$

V_{ref} : Forward speed, in knots, to be taken as:

$$V_{ref} = 0.75 V \text{ but not less than } 10.$$

α_{wl} : Local waterline angle, in deg, at the considered position, but not less than 35 deg. See **Figure 12**.

γ_{wl} : Local bow impact angle, in deg, measured in a vertical plane containing the normal to the shell, from the horizontal to the tangent line at the considered position but not less than 50 deg, as shown in **Figure 12**. Where this value is not available, it may be taken as:

$$\gamma_{wl} = \tan^{-1} \left(\frac{\tan \beta_{pl}}{\cos \alpha_{wl}} \right)$$

β_{pl} : Local body plan angle, in deg, at the considered position from the horizontal to the tangent line, but not less than 35 deg.

c_{FB} : Coefficient to be taken as:

$$c_{FB} = 1.0 \quad \text{for positions between draughts } T_{BAL} \text{ and } T_{SC}.$$

$$c_{FB} = \sqrt{1.0 + \cos^2 \left[90 \frac{(h_{fb} - 2h_0)}{h_{fb}} \right]} \quad \text{for positions above draughts } T_{SC}.$$

h_{fb} : Vertical distance, in m, from the waterline at the draught T_{SC} to the highest deck at side. See **Figure 12**.

h_0 : Vertical distance, in m, from the waterline at the draught T_{SC} to the considered position. See **Figure 12**.

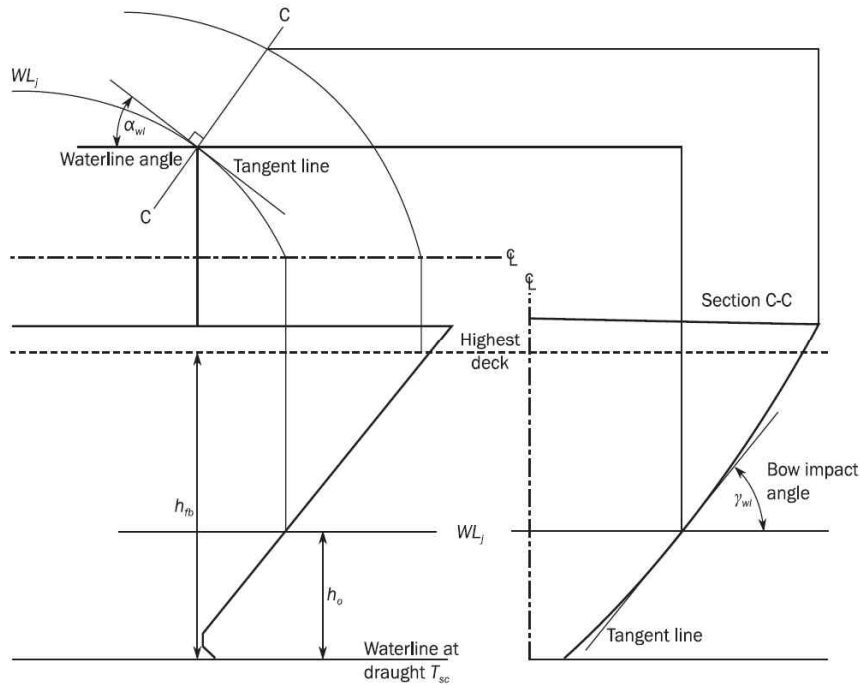


Figure 12 : Definition of bow geometry

4. External pressures on superstructure and deckhouses

4.1 Application

4.1.1

The external pressures on superstructure and deckhouses are only to be applied for strength assessment. These pressures are to be considered as dynamic pressures and are to be applied to the appropriate structure without any static pressure load component.

4.1.2

The dynamic load case concept is not to be applied for external pressures on superstructures and deckhouses.

4.2 Exposed wheel house tops

4.2.1

The lateral pressure for exposed wheel house tops, P_D , in kN/m^2 , is to be taken as:

$$P_D = 12.5$$

4.3 Sides of superstructures

4.3.1

The design pressure for the external sides of superstructures, P_{SI} , in kN/m^2 , is to be taken as:

$$P_{SI} = 2.1 C_W C_F (C_B + 0.7) \frac{20}{10 + z_{SD} - T_{SC}}$$

where:

c_F : Distribution factor according to **Table 53**.

Table 53 : Distribution factor c_F

| Location | c_F |
|----------------|---|
| $x/L < 0.2$ | $1.0 + \frac{5}{C_B} \left(0.2 - \frac{x}{L}\right)$ without taking x/L less than 0.1 |
| $x/L \geq 0.2$ | 1.0 |

4.4 End bulkheads of superstructures and deckhouse walls

4.4.1

The external pressure for the aft and forward external bulkheads of superstructures and deckhouse walls, in kN/m^2 , is to be taken as:

$$P_A = f_n f_c [f_b f_d - (z_{SD} - T_{SC})] \text{ but is not to be less than } P_{A-min}.$$

where:

f_n : Coefficient defined in **Table 54**.

f_c : Coefficient, to be taken as:

$$f_c = 0.3 + 0.7 \frac{b_1}{B_1} \text{ but not less than } 0.475.$$

For exposed parts of machinery casings, f_c is not to be taken less than 1.0.

f_d : Coefficient, to be taken as:

$$f_d = \frac{L}{10} e^{-(L/300)} - \left(1 - \left(\frac{L}{150}\right)^2\right) \text{ for } L < 150 \text{ m}$$

$$f_d = \frac{L}{10} e^{-(L/300)} \text{ for } 150 \text{ m} \leq L < 300 \text{ m}$$

$$f_d = 11.03 \text{ for } L > 300 \text{ m}$$

b_1 : Breadth of deckhouse at the position considered.

B_1 : Actual breadth of ship on the exposed weather deck at the position considered.

f_b : Coefficient defined in **Table 55**.

P_{A-min} : Minimum lateral pressure, in kN/m^2 , as defined in **Table 56**.

Table 54 : Coefficient f_n

| Type of bulkhead | Location | f_n |
|---|----------------------------|---|
| Unprotected front bulkhead ⁽¹⁾ | Lowest tier ⁽²⁾ | $20 + \frac{L_2}{12}$ |
| | Second tier | $10 + \frac{L_2}{12}$ |
| | Third tier and above | $5 + \frac{L_2}{15}$ |
| Protected front bulkhead ⁽¹⁾ | All tiers | $5 + \frac{L_2}{15}$ |
| Side bulkheads | All tiers | $5 + \frac{L_2}{15}$ |
| Aft end bulkheads | Abaft amidships | $7 + \frac{L_2}{100} - 8 \frac{x}{L_2}$ |
| | Forward of amidships | $5 + \frac{L_2}{100} - 4 \frac{x}{L_2}$ |

(1) The front bulkhead of a superstructure or deckhouse may be considered as protected when it is located less than B_x behind another superstructure or deckhouse, and the width of the front bulkhead being considered is less than the width of the aft bulkhead of the superstructure or deckhouse forward of it. B_x is the local breadth of the ship at the front bulkhead.

(2) The lowest tier is normally that tier which is directly situated above the uppermost continuous deck to which the moulded depth D is measured. However, when $(D - T_{SC})$ exceeds the minimum non-corrected tabular freeboard (according to ICLL as amended) by at least one standard superstructure height (as defined in Ch 1, Sec 4, [3.3]), then this tier may be defined as the 2nd tier and the tier above as the 3rd tier.

Table 55 : Coefficient f_b

| Location of bulkhead ⁽¹⁾ | f_b |
|-------------------------------------|--|
| $\frac{x}{L} < 0.45$ | $1.0 + \left(\frac{x/L - 0.45}{C_{B1} + 0.2} \right)^2$ |
| $\frac{x}{L} \geq 0.45$ | $1.0 + 1.5 \left(\frac{x/L - 0.45}{C_{B1} + 0.2} \right)^2$ |

C_{B1} : Block coefficient, but not less than 0.60 nor greater than 0.80. For aft deckhouse bulkheads located forward of amidships, C_{B1} may be taken as 0.80.

(1) For deckhouse sides, the deckhouse is to be subdivided into parts of approximately equal length, not exceeding $0.15L$ each, and x is to be taken as the X -coordinate of the centre of each part considered.

Table 56 : Minimum lateral pressure, P_{A-min}

| L | P_{A-min} , in kN/m ² | |
|-------------------|------------------------------------|--------------------------|
| | Lowest tier of unprotected fronts | Elsewhere ⁽¹⁾ |
| $90 < L \leq 250$ | $25 + \frac{L}{10}$ | $12.5 + \frac{L}{20}$ |
| $L > 250$ | 50 | 25 |

(1) For the 4th tier and above, P_{A-min} is to be taken equal to 12.5 kN/m².

Section 6 – Internal loads

Symbols

For symbols not defined in this section, refer to **Ch 1, Sec 4**.

a_X, a_Y, a_Z : Longitudinal, transverse and vertical accelerations, in m/s^2 , at x_G, y_G, z_G , as defined in **Ch 4, Sec 3, [3.2]**.

f_β : Coefficient defined in **Ch 4, Sec 4**.

h_{air} : Height of air pipe or overflow pipe above the top of the tank, in m.

P_{drop} : Overpressure, in kN/m^2 , due to sustained liquid flow through air pipe or overflow pipe in case of overflowing or filling during flow through ballast water exchange. It is to be defined by the designer, but not to be less than 25 kN/m^2 .

P_{PV} : Design vapour pressure, in kN/m^2 , but not less than 25 kN/m^2 .

x, y, z : X, Y and Z coordinates, in m, of the load point with respect to the reference coordinate system defined in **Ch 4, Sec 1, [1.2.1]**.

x_G, y_G, z_G : X, Y and Z coordinates, in m, of the volumetric centre of gravity of the tank or fully filled cargo hold, i.e. V_{Full} , considered with respect to the reference coordinate system defined in **Ch 4, Sec 1, [1.2]**.

z_{top} : Z coordinate of the highest point of tank, excluding small hatchways, in m.

ρ_L : Density of liquid in the tank, in t/m^3 , but not less than:

$\rho_L =$ design cargo density, 0.5 t/m^3 for strength assessment

0.46 t/m^3 or higher value for fatigue assessment

$\rho_L = 1.025$ for all liquids except cargo.

ρ_{slh} : Liquid density, in t/m^3 , to be used for sloshing assessment, taken as:

$\rho_{slh} = \rho_L$

ρ_{ST} : Density of steel, in t/m^3 , to be taken as 7.85.

θ : Roll angle, in deg, defined in **Ch 4, Sec 3, [2.1.1]**.

1. Pressure due to liquids

1.1 Application

1.1.1 Pressures for the strength assessments of intact conditions

The internal pressure due to liquid acting on any load point of a tank, in kN/m^2 , for the static (S) design load scenarios, given in **Ch 4, Sec 7**, is to be taken as:

$$P_{in} = P_{Is} \text{ but not less than } 0.$$

The internal pressure due to liquid acting on any load point of a tank, in kN/m^2 , for the static plus dynamic (S+D) design load scenarios is to be derived for each dynamic load case and is to be taken as:

$$P_{in} = P_{Is} + P_{Id} \text{ but not less than } 0.$$

where:

P_{Is} : Static pressure due to liquid in tanks, in kN/m^2 , as defined in **[1.2]**.

P_{ld} : Dynamic inertial pressure due to liquid in tanks, in kN/m^2 , as defined in [1.3].

1.2 Static liquid pressure

1.2.1 Normal operations at sea

The static pressure due to liquid in tanks, P_{ls} during normal operations at sea, in kN/m^2 , is to be taken as:

$$P_{ls} = \rho_L g(z_{top} - z) + P_{PV} \quad \text{for cargo tanks filled with liquid cargo.}$$

$$P_{ls} = \rho_L g(z_{top} - z + 0.5h_{air}) \quad \text{for other cases.}$$

1.2.2 Harbour/sheltered water operations

The static pressure, P_{ls} due to liquid in tanks for harbour/sheltered water operations, in kN/m^2 , is to be taken as:

$$P_{ls} = \rho_L g(z_{top} - z) + P_{PV} \quad \text{for cargo tanks filled with liquid cargo}$$

$$P_{ls} = \rho_L g(z_{top} - z + 0.5h_{air}) \quad \text{for other cases}$$

1.2.3 Sequential ballast water exchange

The static pressure, P_{ls} due to liquid in ballast tanks associated with sequential ballast water exchange operations, in kN/m^2 , is to be taken as:

$$P_{ls} = \rho_L g(z_{top} - z + 0.5h_{air})$$

1.2.4 Flow through ballast water exchange

The static pressure, P_{ls} due to liquid in ballast tanks associated with flow through ballast water exchange operations, in kN/m^2 , is to be taken as:

$$P_{ls} = \rho_L g(z_{top} - z + h_{air}) + P_{drop}$$

1.2.5 Ballasting using ballast water treatment system

The static pressure, P_{ls} due to liquid in tanks associated with ballasting operations using a ballast water treatment system is to be taken as defined for sequential ballast exchange in [1.2.3]. The ship designer has to inform the Society if the ballast water treatment system implies additional pressure to be considered as P_{drop} , etc in addition to the pressure defined in [1.2.3].

1.2.6 Static liquid pressure for the fatigue assessment

The static pressure due to liquid in tanks, P_{ls} to be used for the fatigue assessment, in kN/m^2 , is to be taken as:

$$P_{ls} = \rho_L g(z_{top} - z) \quad \text{for all tanks.}$$

1.3 Dynamic liquid pressure

1.3.1

The dynamic pressure, P_{ld} due to liquid in tanks, in kN/m^2 , is to be taken as:

$$P_{ld} = f_{\beta} \rho_L [a_z(z_0 - z) + f_{ull-l} a_x(x_0 - x) + f_{ull-l} a_y(y_0 - y)]$$

where:

f_{ull-l} : Longitudinal acceleration correction factor for the ullage space above the liquid in tanks, taken as:

- For strength assessment:

$$f_{ull-l} = 0.62 \quad \text{for cargo tanks.}$$

$f_{ull-l} = 1.0$ for other cases.

- For fatigue assessment:

$$f_{ull-l} = 0.5 + \frac{|z_0 - z|}{l_{fs}} \frac{180}{\phi\pi} \quad \text{for cargo tanks.}$$

$$f_{ull-l} = 1.0 \quad \text{for other cases.}$$

f_{ull-l} is not to be less than 0.0 nor greater than 1.0

l_{fs} : Cargo tank length at the top of the tank, in m.

f_{ull-t} : Transverse acceleration correction factor to account for the ullage space above the liquid in tanks, taken as:

- For strength assessment:

$$f_{ull-t} = 0.67 \quad \text{for cargo tanks.}$$

$$f_{ull-t} = 1.0 \quad \text{for other cases.}$$

- For fatigue assessment:

$$f_{ull-t} = 0.5 + \frac{|z_0 - z|}{b_{top}} \frac{180}{\theta\pi} \quad \text{for cargo tanks.}$$

$$f_{ull-t} = 1.0 \quad \text{for other cases.}$$

f_{ull-t} is not to be less than 0.0 nor greater than 1.0

b_{top} : Cargo tank breadth at the top of the tank, in m, determined at mid length of the tank.

x_0 : X coordinate, in m, of the reference point.

y_0 : Y coordinate, in m, of the reference point.

z_0 : Z coordinate, in m, of the reference point.

The reference point is to be taken as the point with the highest value of V_j , calculated for all points that define the upper boundary of the tank as follows:

$$V_j = a_X(x_j - x_G) + a_Y(y_j - y_G) + (a_Z + g)(z_j - z_G)$$

where:

x_j : X coordinate, in m, of the point j on the upper boundary of the tank.

y_j : Y coordinate, in m, of the point j on the upper boundary of the tank.

z_j : Z coordinate, in m, of the point j on the upper boundary of the tank.

1.4 Static pressure in flooded condition

1.4.1 Static pressure in flooded compartments

The static pressure, P_{fs} in kN/m^2 , for watertight boundaries of flooded compartments is to be taken as:

$$P_{fs} = \rho g(z_{FD} - z) \quad \text{but not less than 0.}$$

where:

z_{FD} : Z coordinate, in m, of the freeboard deck at side in way of the transverse section considered.

2. Internal cargo pressure

2.1 Pressure by IGC

The internal pressure acting on a cargo tank boundary, which is symbolized as P_{IGC} in **Ch 6**, is given in **Pt 7, Ch 5, Sec 4, [428]**, in kN/m^2 . This pressure is calculated with dimensionless acceleration α_β , which is combined with 3 components (a_x, a_y, a_z) in an arbitrary direction β according to an ellipsoid surface. For the corner points of the cargo tank, pressure may be calculated with different acceleration direction so as to have a maximum. The pressure between corner points is decided by linear interpolation.

Upon agreement by the Society, the accelerations obtained by other method for alternative designs can be used. In that case, the derivation of the accelerations for alternative designs is to be documented and provided to the Society.

2.2 Sloshing impact by liquid cargo

2.2.1 Application (2023)

This article applied to all liquid cargo, ballast tanks and other tanks with volume exceeding 100 m^3 . The sloshing pressure on hold boundary supporting membrane cargo tanks shall be applied based on allowable filling levels.

2.2.2 Sloshing pressure on tank boundaries (2023)

The sloshing pressure due to liquid motions in a tank P_{slh} acting on specific load point of a tank boundary, in kN/m^2 , for the sloshing load scenario, given in **Ch 4, Sec 7**, is to be taken as follows, without being less than $P_{slh-min}$, as given in **[2.2.3]**:

- $P_{slh} = P_{slh-l}$ for transverse bulkheads, as defined in **[2.2.4]** and **[1.2.1]**.
- $P_{slh} = P_{slh-t}$ for longitudinal bulkheads, as defined in **[2.2.5]** and **[1.2.1]**.

The specific load calculation points are the nearest corner of filling limitation if any, and the calculated pressure is applied uniformly with some extent as shown in **Figure 13**.

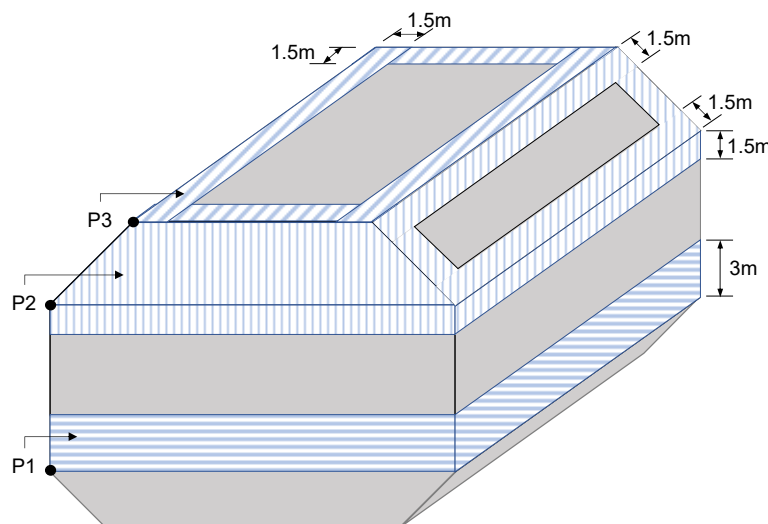


Figure 13: Load calculation point for sloshing pressure

2.2.3 Minimum sloshing pressure

The minimum sloshing pressure, $P_{slh-min}$, for tanks of cellular construction, i.e. double hull construction

with internal structures restraining the fluid motion, is to be taken as 12 kN/m².
For cargo and other tanks is to be taken as 20 kN/m².

2.2.4 Sloshing pressure due to longitudinal liquid motion

The pressure P_{slh-l} , due to longitudinal liquid motion, is to be taken as:

$$P_{slh-l} = \rho_{slh} g l_{tank} f_{slh} \left[0.4 - \left(0.39 - \frac{1.7 l_{tank}}{L} \right) \frac{L}{350} \right]$$

where:

l_{tank} : Length of tank in m.

f_{slh} : Coefficient to be taken as:

Table 1 : Coefficient f_{slh}

| h_{fill} | f_{slh} |
|---------------|---|
| $0.0h_{Tank}$ | 0.0 |
| $0.1h_{Tank}$ | $f_{slh} = 1.5 \left[1 - 2 \left(0.3 - \frac{h_{fill}}{h_{Tank}^2} \right)^2 \right]$ |
| $0.3h_{Tank}$ | $f_{slh} = 2.0 \left[1 - 2 \left(0.3 - \frac{h_{fill}}{h_{Tank}^2} \right)^2 \right]$ |
| $1.0h_{Tank}$ | $f_{slh} = 1.5 \left[1 - 2 \left(0.3 - \frac{h_{fill}}{h_{Tank}^2} \right)^2 \right]$ |

For intermediate values of h_{fill} , f_{slh} are to be obtained by linear interpolation.

h_{fill} : Filling height measured from tank bottom in m.

2.2.5 Sloshing pressure due to transverse liquid motion

The pressure P_{slh-t} , due to longitudinal liquid motion, is to be taken as:

$$P_{slh-t} = 7 \rho_{slh} g f_{slh} \left(\frac{b_{tank}}{B} - 0.3 \right) GM^{0.75}$$

where:

b_{tank} : Breadth of tank in m.

f_{slh} : Coefficient to be taken as defined in [2.2.4] Table 1.

3. Loads on non-exposed decks and platforms

3.1 Application

3.1.1 General

The loads defined in [3.2] and [3.3] are applicable to non-exposed decks, accommodation decks and platforms.

3.2 Pressure due to distributed load

3.2.1

If a distributed load is carried on a deck, the static and dynamic pressures due to this distributed load are to be considered.

The static distributed load is to be defined by the designer without being less than 3 kN/m² for accommodation decks and 10 kN/m² for other decks and platforms.

The pressure P_{dl} , in kN/m², due to this distributed load for the static (S) design load scenarios, given in **Ch 4, Sec 7**, is to be taken as:

$$P_{dl} = P_{dl-s}$$

The pressure P_{dl} , in kN/m², due to this distributed load for the static plus dynamic (S+D) design load scenarios, is to be derived for the envelope of dynamic load cases and is to be taken as:

$$P_{dl} = P_{dl-s} + P_{dl-d} \quad \text{but not less than 0.}$$

where:

P_{dl-s} : Static pressure, in kN/m², due to the distributed load.

P_{dl-d} : Dynamic pressure, in kN/m², due to the distributed load, to be taken as:

$$P_{dl-d} = f_{\beta} \frac{a_{z-env}}{g} P_{dl-s}$$

a_{z-env} : Envelope of vertical acceleration, in m/s², at the load position being considered, for the dynamic load cases, given in **Ch 4, Sec 3, [3.3.3]**.

3.3 Concentrated force due to unit load

3.3.1

If a unit load is carried on an internal deck, the static and dynamic forces due to the unit load carried are to be considered when a direct analysis is applied for stiffeners or primary supporting members.

The force F_U , in kN, due to this concentrated load for the static (S) design load scenarios, given in **Ch 4, Sec 7**, is to be taken as:

$$F_U = F_{U-s}$$

The force F_U , in kN, due to this concentrated load for the static plus dynamic (S+D) design load scenarios, is to be derived for the envelope of dynamic load cases and is to be taken as:

$$F_U = F_{U-s} + F_{U-d} \quad \text{but not less than 0.}$$

where:

F_{U-s} : Static force, in kN, due to the unit load to be taken as $F_{U-s} = m_U g$

F_{U-d} : Dynamic force, in kN, due to unit load to be taken as $F_{U-d} = m_U f_{\beta} a_{z-env}$

m_U : Mass of the unit load carried, in t.

a_{z-env} : Envelope of vertical acceleration, in m/s², at the centre of gravity of the unit load carried for the dynamic load cases, given in **Ch 4, Sec 3, [3.3.3]**.

4. Design pressure for tank testing & overflow event

4.1 Definition

4.1.1

In order to assess the structure, static design pressures are to be applied. The design pressure for tank testing, P_{ST} , in kN/m², is to be taken as:

$$P_{ST} = 10(z_{ST} - z)$$

where:

z_{ST} : Design testing load height, in m, as defined in Table 2.

Table 2 : Design testing load height z_{ST}

| Compartment | z_{ST} |
|---|---|
| Double bottom tanks ⁽¹⁾ | The greater of the following: $z_{ST} = z_{top} + h_{air}$ $z_{ST} = z_{bd}$ |
| Double side tanks, fore and aft peaks used as tank | The greater of the following: $z_{ST} = z_{top} + h_{air}$ $z_{ST} = z_{top} + 2.4$ |
| Tank bulkheads, deep tanks, fuel oil bunkers | The greater of the following: $z_{ST} = z_{top} + h_{air}$ $z_{ST} = z_{top} + 2.4$ $z_{ST} = z_{top} + 0.1P_{PV}$ |
| Chain locker (if aft of collision bulkhead) | $z_{ST} = z_c$ |
| Independent tanks | The greater of the following: $z_{ST} = z_{top} + h_{air}$ $z_{ST} = z_{top} + 0.9$ |
| Ballast ducts | Testing load height corresponding to ballast pump maximum pressure |
| where: z_{bd} : z coordinate, in m, of the bulkhead deck. z_c : z coordinate, in m, of the top of the chain pipe. ⁽¹⁾ For double bottom tanks connected with hopper side tanks or double side tanks, z_{ST} corresponding to "hopper side tanks, double side tanks, fore and aft peaks used as tank, cofferdams" is applicable. | |

4.1.2 Pressure for overflow event in harbour/sheltered water (2023)

For the event of overflowing in tanks, h_{air} is to be the height of overflow pipe above the top of the tank and the static pressure shall be taken as;

$$P_{ls-overflow} = \rho_L g (z_{top} - z + h_{air}) + P_{drop} \quad \text{for tanks with overflow pipe}$$

Section 7 – Design load scenarios

Symbols

For symbols not defined in this section, refer to **Ch 1, Sec 4**.

- VBM : Design vertical bending moment, in kNm.
- M_{sw} : Permissible hull girder hogging and sagging still water bending moment for seagoing operation, in kNm, as defined in **Ch 4, Sec 4, [2.2.1]**.
- M_{sw-p} : Permissible hull girder hogging and sagging still water bending moment for harbour/sheltered water operation, in kNm, as defined in **Ch 4, Sec 4, [2.2.2]**.
- M_{wv-LC} : Vertical wave bending moment for a considered dynamic load case, in kNm, as defined in **Ch 4, Sec 4, [3.5.2]**.
- HBM : Design horizontal bending moment, in kNm.
- M_{wh-LC} : Horizontal wave bending moment for a considered dynamic load case, in kNm, as defined in **Ch 4, Sec 4, [3.5.4]**.
- TM : Design torsional moment, in kNm.
- M_{wt-LC} : Wave torsional moment for a considered dynamic load case, in kNm, as defined in **Ch 4, Sec 4, [3.5.5]**.
- VSF : Design vertical shear force, in kN.
- Q_{sw} : Permissible hull girder positive and negative still water shear force limits for seagoing operation, in kN, as defined in **Ch 4, Sec 4, [2.3.1]**.
- Q_{sw-p} : Permissible hull girder positive and negative still water shear force limits for harbour/sheltered water operation, in kN, as defined in **Ch 4, Sec 4, [2.3.2]**.
- Q_{wv-LC} : Vertical wave shear force for a considered dynamic load case, in kN, as defined in **Ch 4, Sec 4, [3.5.3]**.
- P_{ex} : Design external pressure, in kN/m².
- P_S : Static sea pressure at considered draught, in kN/m², as defined in **Ch 4, Sec 5, [1.2.1]**.
- P_W : Dynamic pressure for a considered dynamic load case, in kN/m², as defined in **Ch 4, Sec 5, [1.3.2]** to **Ch 4, Sec 5, [1.3.8]**.
- P_D : Green sea load for a considered dynamic load case, in kN/m², as defined in **Ch 4, Sec 5, [2.2.3]** and **Ch 4, Sec 5, [2.2.4]**.
- P_{in} : Design internal pressure, in kN/m².
- P_{ST} : Tank testing pressure, in kN/m², see **Ch 4, Sec 6, [4.1.1]**.
- P_{ls} : Static liquid pressure in tank, in kN/m², as defined in **Ch 4, Sec 6, [1.2]**.
- P_{ld} : Dynamic liquid pressure in tank for a considered dynamic load case, in kN/m², as defined in **Ch 4, Sec 6, [1.3]**.
- P_{dl-s} : Static pressure on non-exposed decks and platforms, in kN/m², as defined in **Ch 4, Sec 6, [3.2.1]**.
- P_{dl-d} : Dynamic pressure on non-exposed decks and platforms for a considered dynamic load case, in

kN/m², as defined in Ch 4, Sec 6, [3.2.1].

F_{U-s} : Static load acting on supporting structures and securing systems for heavy units of equipment or structural components, in kN, as defined in Ch 4, Sec 5, [2.3.2].

F_{U-d} : Dynamic load acting on supporting structures and securing systems for heavy units of equipment or structural components, in kN, as defined in Ch 4, Sec 5, [2.3.2].

P_{SL} : Bottom slamming pressure, in kN/m², as defined in Ch 4, Sec 5, [3].

P_{FB} : Bow impact pressure, in kN/m², as defined in Ch 4, Sec 5, [3].

P_{slh} : Sloshing pressure, in kN/m², as defined in Ch 4, Sec 6, [2.2].

1. General

1.1 Application

1.1.1

This section gives the design load scenarios that are to be used for:

- a) Strength assessment by prescriptive and direct analysis (Finite Element Method, FEM) methods, as given in [2].
- b) Fatigue assessment by prescriptive and direct analysis (FEM) methods, as given in [3].

1.1.2

For the strength assessment, the principal design load scenarios consist of either S (Static) loads or S+D (Static + Dynamic) loads. In some cases, the letter "A" prefixes the S or S+D to denote that this is an accidental design load scenario. There are some additional design load scenarios to be considered which relate to impact (I) loads and sloshing (SL) loads.

2. Design load scenarios for strength assessment

2.1 Principal design load scenarios

2.1.1

The principal design load scenarios are given in Table 1.

2.2 Additional design load scenarios

2.2.1

The design load scenarios to be considered for tank test, sloshing, bottom slamming and bow impact are given in Table 2.

Table 1 : Principal design load scenarios for strength assessment

| Design load scenario | | Harbour and sheltered water | Seagoing conditions with extreme sea loads | Ballast water exchange ⁽¹⁾ | Collision | Accidental flooded ⁽¹⁾ | |
|----------------------|------------|-------------------------------------|--|---------------------------------------|-------------------|-----------------------------------|----------|
| Load components | | Static (S) | Static + Dynamic (S+D) | Static + Dynamic (S+D) | Accidental (A) | Static (S) | |
| Hull Girder | <i>VBM</i> | M_{sw-p} | $M_{sw} + M_{wv-LC}$ | $M_{sw} + M_{wv-LC}$ | M_{sw} | M_{sw} | |
| | <i>HBM</i> | - | M_{wh-LC} | M_{wh-LC} | - | - | |
| | <i>VSF</i> | Q_{sw-p} | $Q_{sw} + Q_{wv-LC}$ | $Q_{sw} + Q_{wv-LC}$ | Q_{sw} | - | |
| | <i>TM</i> | - | M_{wt-LC} | M_{wt-LC} | - | - | |
| Local Loads | P_{ex} | External deck for green sea | - | P_D | - | - | |
| | | Hull envelope | P_s | $P_s + P_w$ | $P_s + P_w$ | - | - |
| | P_{in} | Ballast tanks | P_{ts} | $P_{ts} + P_{ld}$ | $P_{ls} + P_{ld}$ | - | - |
| | | Liquid cargo tanks | | | - | 0.5g, -0.2g | |
| | | Other tanks | | | - | - | |
| | | Watertight boundaries | - | - | - | - | P_{fs} |
| | P_{dk} | Internal decks for dry spaces | P_{dl-s} | $P_{dl-s} + P_{dl-d}$ | - | - | - |
| | | External deck for distributed loads | P_{dl-s} | $P_{dl-s} + P_{dl-d}$ | - | - | - |
| | | External deck for heavy units | F_{U-s} | $F_{U-s} + F_{U-d}$ | - | - | - |

⁽¹⁾ Applicable to prescriptive assessment only

Table 2 : Design load scenarios for tank test, impact and sloshing conditions (2023)

| Design load scenario | | Tank test/overflow (T) | Bow impact Impact (I) | Bottom slamming Impact (I) | Sloshing Sloshing(SL) | |
|-------------------------------|------------|-------------------------------------|---------------------------------|----------------------------|-----------------------|--------------------|
| Load components | | | | | | |
| Hull Girder | <i>VBM</i> | M_{sw-p} | - | - | M_{sw-p} | |
| | <i>HBM</i> | - | - | - | - | |
| | <i>VSF</i> | Q_{sw-p} | - | - | - | |
| | <i>TM</i> | - | - | - | - | |
| Local Loads | P_{ex} | External deck for green sea | - | - | - | |
| | | Hull envelope | P_s | P_{FB} | P_{SL} | |
| | P_{in} | Ballast tanks | $\min(P_{ls-overflow}, P_{ST})$ | - | - | $P_{ls} + P_{slh}$ |
| | | Liquid cargo tanks | | | | |
| | | Other tanks | | | | |
| | P_{dk} | Internal decks for dry spaces | - | - | - | - |
| | | External deck for distributed loads | - | - | - | - |
| External deck for heavy units | | - | - | - | - | |

3. Design load scenarios for fatigue assessment

3.1 Design load scenarios

3.1.1

The design load scenarios are given in **Table 3**.

Table 3 : Design load scenarios for fatigue assessment

| Design load scenario | | Fatigue: Static + Dynamic (F: S+D) | |
|-------------------------------|------------|---------------------------------------|-------------------|
| Load components | | | |
| Hull Girder | <i>VBM</i> | $M_{sw} + M_{wv-LC}$ | |
| | <i>HBM</i> | M_{wh-LC} | |
| | <i>VSF</i> | $Q_{sw} + Q_{wv-LC}$ | |
| | <i>TM</i> | M_{wt-LC} | |
| Local Loads | P_{ex} | External deck for green sea | - |
| | | Hull envelope | $P_s + P_w$ |
| | P_{in} | Ballast tanks | $P_{ls} + P_{ld}$ |
| | | Liquid cargo tanks | |
| | | Other tanks | |
| | P_{dk} | Internal decks for dry spaces | - |
| | | External deck for distributed loads | - |
| External deck for heavy units | | - | |

Chapter 5

Hull Girder Strength

Section 1 Hull Girder Yield Strength

Appendix 1 Direct Calculation of Shear Flow

Section 1 – Hull Girder Yield Strength

Symbols

For symbols not defined in this section, refer to **Ch 1, Sec 4**.

- M_{sw} : Permissible hogging and sagging vertical still water bending moment in seagoing operation, in kNm, at the hull transverse section considered, defined in **Ch 4, Sec 4, [2.2.2]**.
- M_{wv} : Vertical wave bending moment in seagoing condition, in kNm, in seagoing operation at the hull transverse section considered, defined in **Ch 4, Sec 4, [3.2.1]**.
- Q_{sw} : Permissible positive or negative still water shear force for seagoing operation, in kN, at the hull transverse section considered, as defined in **Ch 4, Sec 4, [2.3.1]**.
- Q_{wv} : Vertical wave shear force in seagoing condition, in kN, at the hull transverse section considered, defined in **Ch 4, Sec 4, [3.2]**.
- x : X coordinate, in m, of the calculation point with respect to the reference coordinate system defined in **Ch 1, Sec 4, [3.5]**.
- V_D : Vertical distance to the equivalent deck line, in m, as defined in **[1.4.3]**.
- z : Z coordinate, in m, of the calculation point with respect to the reference coordinate system defined in **Ch 1, Sec 4, [3.5]**.
- z_n : Z coordinate, in m, of horizontal neutral axis of the hull transverse section with gross scantling defined in **[1.2]**, with respect to the reference coordinate system defined in **Ch 1, Sec 4, [3.5]**.
- I_{y-gr} : Gross moment of inertia, in m^4 , of the hull transverse section about its horizontal neutral axis, to be calculated according to **[1.5]**.
- I_{z-gr} : Gross moment of inertia, in m^4 , of the hull transverse section about its vertical neutral axis, to be calculated according to **[1.5]**.
- Z_{A-gr} : Gross section modulus, in m^3 , at any point of the hull transverse section, to be calculated according **[1.4.1]**.
- C_w : Wave coefficient defined in **Ch 4, Sec 4**.
- Z_{B-gr}, Z_{D-gr} : Gross section moduli, in m^3 , at bottom and deck respectively, to be calculated according to **[1.4.2]** and **[1.4.3]**.
- z_{VD} : Z coordinate, in m, taken equal to $V_D + z_n$.

1. Strength characteristics of hull girder transverse sections

1.1 General

1.1.1

This section specifies the criteria for calculating the hull girder strength characteristics to be used for the checks in **[2]** to **[3]**, in association with the hull girder loads specified in **Ch 4, Sec 4**.

1.2 Hull girder transverse sections

1.2.1 General

Hull girder transverse sections are to be considered as being constituted by the members contributing to the hull girder longitudinal strength, i.e. all continuous longitudinal members below and including the strength deck defined in [1.3], taking into account the requirements in [1.2.2] to [1.2.11].

1.2.2 Gross scantling

The members contributing to the hull girder longitudinal strength are to be considered using the gross offered scantlings, when the hull girder strength characteristics are used for the hull girder yielding check according to [2] to [3].

1.2.3 Structural members not contributing to hull girder sectional area

The following members are not to be considered in the calculation as they are considered not contributing to the hull girder sectional area:

- a) superstructures which do not form a strength deck.
- b) Deckhouses
- c) bulwarks and gutter plates.
- d) bilge keels.
- e) sniped or non-continuous longitudinal stiffeners.
- f) non-continuous dome opening.

1.2.4 Continuous trunks

Continuous trunks may be included in the hull girder transverse sections, provided that they are effectively supported by longitudinal bulkheads or primary supporting members.

1.2.5 Longitudinal stiffeners or girders welded above the strength deck

Longitudinal stiffeners or girders welded above the strength deck, including the deck of any trunk fitted as specified in [1.2.4], are to be included in the hull girder transverse sections.

1.2.6 Members in materials other than steel

Where a member contributing to the longitudinal strength is made in material other than steel with a Young's modulus, E equal to 2.06×10^5 N/mm², the steel equivalent sectional area that may be included in hull girder transverse section is obtained, in m², from the following formula:

$$A_{SE-gr} = \frac{E}{2.06 \times 10^5} A_{M-gr}$$

where:

A_{M-gr} : Sectional area, in m², of the member under consideration.

1.2.7 Definitions of openings

The following definitions of opening are to be applied:

- a) Large openings are:
 - Elliptical openings exceeding 2.5 m in length or 1.2 m in breadth.
 - Circular openings exceeding 0.9 m in diameter.
- b) Small openings (i.e. drain holes, etc) are openings that are not large ones.
- c) Manholes.
- d) Isolated openings are openings spaced not less than 1 m apart in the ship's transverse/vertical direction.

1.2.8 Large openings, manholes and nearby small openings

Large openings and manholes are to be deducted from the sectional area used in hull girder moment of inertia and section modulus. When small openings are spaced less than 1 m apart in the ship's

transverse/vertical direction to large openings or manholes, the total breadth of them is to be deducted from the sectional area.

Additionally, isolated small openings which do not comply with the arrangement requirements given in **Ch 3, Sec 6, [6.3.2]** are to be deducted from the sectional areas included in the hull girder transverse sections.

1.2.9 Isolated small openings

Isolated small openings in one transverse section in the strength deck above or bottom area need not be deducted from the sectional areas included in the hull girder transverse sections, provided that:

$$\Sigma b_s \leq 0.06(B - \Sigma b)$$

where:

Σb_s : Total breadth of isolated small openings, in m, in the strength deck above or bottom area at the transverse section considered, determined as indicated in **Figure 1**, not deducted from the section area as per **[1.2.8]**.

Σb : Total breadth of large openings, in m, at the transverse section considered, determined as indicated in **Figure 1**, deducted from the section area as defined in **[1.2.8]**.

Where the total breadth of isolated small openings Σb_s does not fulfil the above criteria, only the excess of breadth is to be deducted from the sectional areas included in the hull girder transverse sections.

Notwithstanding the requirement above, deck openings on the strength deck need not be deducted, provided that the sum of their breadths in one transverse section is not reducing the section modulus at deck or bottom by more than 3%.

Deck openings as shown in **Figure 1** include shadow area which is obtained by drawing two tangential lines with an opening angle of 30 deg having the focus on the longitudinal line of the ship.

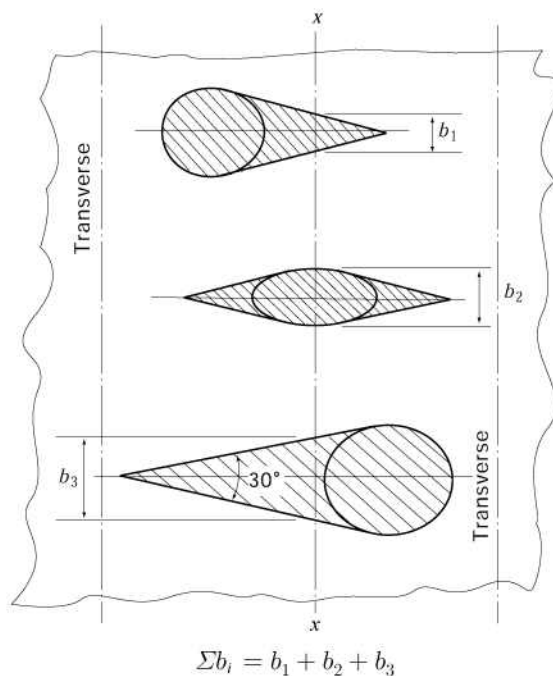


Figure 1 : Calculation of Σb and Σb_s

1.2.10 Lightning holes, draining holes and single scallops

Lightening holes, draining holes and single scallops in longitudinals need not be deducted if their height is less than $0.25h_w$, where h_w is the web height of the longitudinals, in mm. Otherwise, the excess is to be deducted from the sectional area or compensated.

1.2.11 Non-continuous decks and longitudinal bulkheads

When calculating the effective area in way of non-continuous decks and longitudinal bulkheads, the effective area is to be taken as shown in **Figure 2**. The shadow area, which indicates the ineffective area, is obtained by drawing two tangent lines with an angle of 15 deg to the longitudinal axis of the ship.

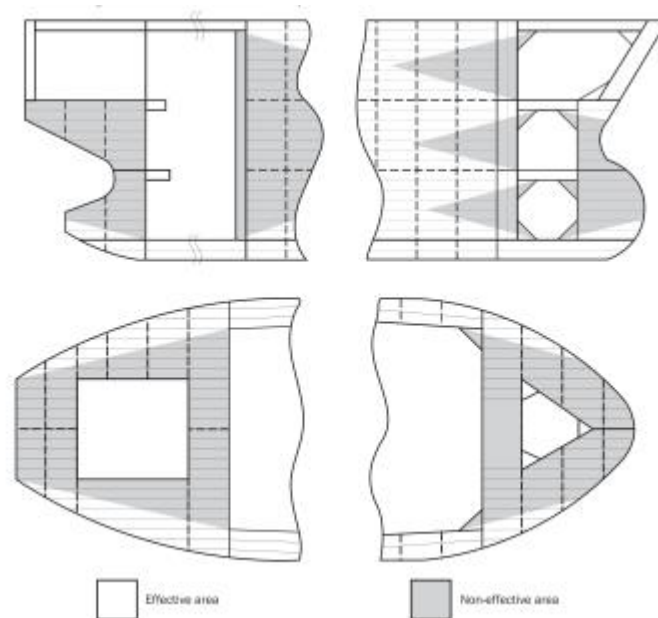


Figure 2 : Effective area in way of non-continuous decks and bulkheads

1.3 Strength deck

1.3.1

The strength deck is, in general, the uppermost continuous deck. In the case of a superstructure or deckhouses contributing to the longitudinal strength, the strength deck is the deck of the superstructure or the deck of the uppermost deckhouse.

1.4 Section modulus

1.4.1 Section modulus at any point

The section modulus at any point of a hull transverse section is obtained, in m^3 , from the following formula:

$$Z_{A-gr} = \frac{I_{y-gr}}{|z - z_n|}$$

1.4.2 Section modulus at bottom

The section modulus at bottom is obtained, in m^3 , from the following formula:

$$Z_{B-gr} = \frac{I_{y-gr}}{z_n}$$

1.4.3 Section modulus at deck

The section modulus at equivalent deck line is obtained, in m^3 , from the following formula:

$$Z_{D-gr} = \frac{I_{y-gr}}{V_D}$$

where:

V_D : Vertical distance of the equivalent deck line, in m, taken equal to:

When no effective longitudinal members specified in [1.2.4] and [1.2.5] are positioned above a line extending from strength deck at side to a position $(z_D - z_n)/0.9$ from the neutral axis at the centreline.

$$V_D = z_D - z_n$$

When effective longitudinal members as specified in [1.2.4] and [1.2.5] are positioned above a line extending from strength deck at side to a position $(z_D - z_n)/0.9$ from the neutral axis at the centreline

$$V_D = (z_T - z_n) \left(0.9 + 0.2 \frac{y_T}{B} \right) \geq z_D - z_n$$

z_D : Z coordinate, in m, of strength deck at side, defined in [1.3].

y_T, z_T : Y and Z coordinates, in m, of the top of continuous trunk, hatch coaming, longitudinal stiffeners or girders, to be measured for the point which maximises the value of V_D .

1.5 Moments of inertia

1.5.1

The gross moment of inertia, I_{y-gr} in m^4 , are those, calculated about the horizontal neutral axes, respectively, of the hull transverse sections defined in [1.2].

2. Hull girder bending assessment

2.1 General

2.1.1

Scantlings of all continuous longitudinal members of the hull girder based on moment of inertia and section modulus requirement in [2.3] are to be maintained within $0.4L$ amidships.

2.1.2

The k material factors are to be defined with respect to the materials used for the bottom and deck members contributing to the longitudinal strength according to [1]. When material factors for higher strength steels are used, the requirements in [2.5] apply.

2.1.3

Continuity of structure is to be maintained throughout the length of the ship. Where significant changes in structural arrangement occur adequate transitional structure is to be provided.

2.2 Normal stress

2.2.1

The normal stress, σ_L induced by vertical bending moments, is to be assessed for both hogging and sagging conditions, along the full length of the hull girder, from AE to FE.

The normal stress, σ_L at any point of the hull transverse section located below z_{VD} , is to comply with the following formula:

$$\sigma_L \leq \sigma_{perm}$$

σ_L : Normal stress, in N/mm^2 , induced by vertical bending moments as given in Table 1:

σ_{perm} : Permissible hull girder bending stress, in N/mm^2 , as given in Table 2.

Table 1 : Normal stress, σ_L

| | At any point | At bottom ⁽¹⁾ | At deck ⁽¹⁾ |
|--|--|--|--|
| Seagoing operation | $\sigma_L = \frac{M_{sw} + M_{wv}}{Z_{A-gr}} \times 10^{-3}$ | $\sigma_L = \frac{M_{sw} + M_{wv}}{Z_{B-gr}} \times 10^{-3}$ | $\sigma_L = \frac{M_{sw} + M_{wv}}{Z_{D-gr}} \times 10^{-3}$ |
| ⁽¹⁾ The σ_L values at bottom and deck, correspond to the application of formula given for any point, calculated at deck line and at baseline | | | |

Table 2 : Permissible hull girder bending stresses

| | $x/L \leq 0.1$ | $0.1 < x/L < 0.3$ | $0.3 \leq x/L \leq 0.7$ | $0.7 < x/L < 0.9$ | $x/L \geq 0.9$ |
|-----------------|----------------|----------------------|-------------------------|----------------------|----------------|
| σ_{perm} | 125/k | Linear interpolation | 175/k | Linear interpolation | 125/k |

2.2.2

The normal stresses in a member made in material other than steel with a Young's modulus, E equal to 2.06×10^5 N/mm², included in the hull girder transverse sections as specified in [1.2.6], are obtained from the following formula:

$$\sigma_L = \frac{E}{2.06 \times 10^5} \sigma_{LS}$$

where

σ_{LS} : Normal stress, in N/mm², in the member under consideration, calculated according to [2.2.1] considering this member as having the steel equivalent sectional area A_{SE} defined in [1.2.6].

2.3 Minimum moment of inertia and section modulus at midship section

2.3.1

At the transverse section in the midship part, the gross moment of inertia about the horizontal axis, I_{y-gr} is to be not less than the value obtained, in m⁴, from the following formula:

$$I_{yR} = 3C_w L^3 B (C_B + 0.7) \times 10^{-8}$$

2.3.2

At the transverse section in the midship part, the vertical hull girder gross section modulus at the deck and the bottom, Z_{D-gr} and Z_{B-gr} , are not to be less than the value obtained, in m³, from the following formula:

$$Z_R = C_w L^2 B (C_B + 0.7) k \times 10^{-6}$$

2.4 Bending strength at sections other than amidships

The required bending strength outside $0.4L$ amidships is to be determined according to [2.2.1]. As a minimum, hull girder bending strength checks are to be carried out at the following locations:

- In way of the forward end of the engine room.
- In way of the forward end of the foremost cargo hold.
- At any locations where there are significant changes in hull cross-section.
- At any locations where there are changes in the framing system.

Buckling strength of members contributing to the longitudinal strength and subjected to compressive and shear stresses is to be checked, in particular in regions where changes in the framing system or significant changes in the hull cross-section occur. The buckling evaluation criteria used for this check is determined by Ch 8.

2.5 Extent of high tensile steel

2.5.1 Vertical extent

The vertical extent of higher strength steel, $z_{hts,i}$, in m, used in the deck zone or bottom zone and measured respectively from the equivalent deck line (z_{VD}) or baseline is not to be taken less the value obtained from the following formula, see Figure 3:

$$z_{hts,i} = z_1 \left(1 - \frac{\sigma_{perm,i}}{\sigma_L} \right) \quad \text{for structural members located below equivalent deck line}$$

where:

- z_1 : Distance from horizontal neutral axis to equivalent deck line or baseline respectively, in m.
- $\sigma_{perm,i}$: Permissible hull girder bending stress of the considered steel, in N/mm², as given in Table 2 and Figure 3.
- σ_L : Hull girder bending stress, σ_{VD} at equivalent deck line or σ_{bl} at baseline respectively, in N/mm² given in Table 3.

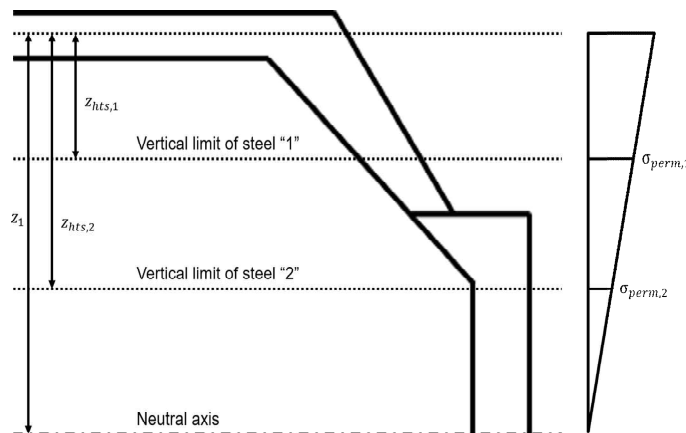


Figure 3 : Vertical extent of higher strength steel

Table 3 : Hull girder stresses at baseline and equivalent deck line

| At baseline | At equivalent deck line |
|---|--|
| $\sigma_{bl} = \frac{ M_{sw} + f_{\beta} M_{wv} }{I_{y-gr}} z_n \times 10^{-3}$ | $\sigma_{VD} = \frac{ M_{sw} + f_{\beta} M_{wv} }{I_{y-gr}} V_D \times 10$ |

2.5.2 Longitudinal extent

Where used, the application of higher strength steel is to be continuous over the length of the ship to the location where the longitudinal stress levels are within the allowable range for mild steel structure, as shown in Figure 4.

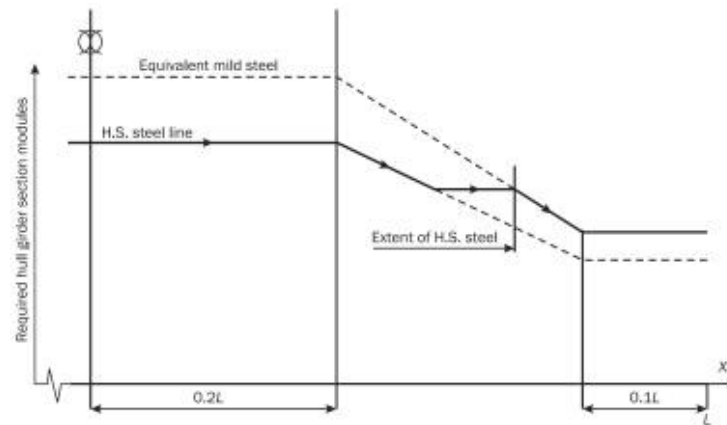


Figure 4 : Longitudinal extent of higher strength steel

3. Hull girder shear strength assessment

3.1 General

3.1.1

The hull girder shear strength requirements apply along the full length of the hull girder, from AE to FE.

3.2 Hull girder shear capacity

3.2.1

The total vertical hull girder shear capacity, Q_R in kN, is the minimum of the calculated values for all plates i contributing to the hull girder shear of the considered transverse section and is to be taken as:

$$Q_R = \min_i \left(\frac{\tau_{i-perm} t_{i-gr}}{q_{vi}} \times 10^{-3} \right)$$

where:

t_{i-gr} : Gross thickness of plate i , in mm.

q_{vi} : Contribution ratio for hull girder shear force per mm, in mm^{-1} , for the plate i based on gross scantlings, which is equal to the unit shear flow per mm, in N/mm, obtained from a numerical calculation based on thin-walled beam theory according to **Ch 5, App 1**.

τ_{i-perm} : Permissible shear stress, in N/mm^2 , for plate i to be taken as:

$$\tau_{i-perm} = 110/k$$

3.3 Acceptance criteria

3.3.1 Permissible vertical shear force

The positive and negative permissible vertical shear forces are to comply with the following criteria:

$$\begin{aligned} |Q_{sw}| &\leq Q_R - |f_\beta Q_{wv}| && \text{Seagoing operation} \\ |Q_{sw-p}| &\leq Q_R && \text{Harbour and sheltered operation} \end{aligned}$$

where:

Q_R : Total vertical hull girder shear capacity, in kN, as defined in **[3.1.1]**.

The shear force Q_{wv} , used in above criteria is to be taken with the same sign as the considered shear

forces Q_{sw} .

4. Stress control of inner hull forming cargo hold

4.1 General

Membrane tanks with a cargo containment system may have some limitation such as elongation or stress level of adjacent installed hull structure. Any required criteria for inner hull is to be confirmed by the designer of the cargo containment system.

4.2 Cargo containment with a barrier welded to hull

Cargo containment systems for which primary or secondary barrier is rigidly connected to the cofferdam bulkhead, shall have allowable stress for inner hull forming cargo hold.

For instance, box type cargo containment system with invar membrane has a maximum allowable stress as following:

$$\sigma_{st} + \sigma_{dy} \leq 120 \text{ MPa} \quad \text{for box type cargo containment system(e.g. NO 96 series)}$$

where:

σ_{st} : Hull girder bending stress, in N/mm^2 , due to the maximum still water bending moment

σ_{dy} : Hull girder bending stress, in N/mm^2 , due to the maximum wave bending moment corresponding to the 10^{-8} probability level in North Atlantic condition

4.3 Cargo containment with a barriers not welded directly to hull

Cargo containment systems for which primary or secondary barrier is not connected directly to the inner hull structure, may specify allowable stress for the control of allowable elongation at inner hull level.

For instance, foam type cargo containment has a maximum allowable stress depending on cargo containment system design following criteria:

$$\sigma_{st} + \sigma_{dy} + \sigma_{lo} \leq 185 \text{ MPa} \quad \text{for foam type cargo containment system(e.g. Mark III series)}$$

$$\sigma_{st} + \sigma_{dy} + \sigma_{lo} \leq 160 \text{ MPa} \quad \text{for KC-1 cargo containment system}$$

where:

σ_{st} , σ_{dy} : Hull girder bending stress, in N/mm^2 , defined in [4.2]

σ_{lo} : Maximum local bending stress, in N/mm^2 , due to local deflection of inner hull when considering alternate loading cases

Appendix 1 – Direct Calculation of Shear Flow

Symbols

For symbols not defined in this section, refer to **Ch 1, Sec 4**.

1. Calculation formula

1.1 General

1.1.1

This Appendix describes the procedures of direct calculation of shear flow around a ship cross-section due to hull girder vertical shear force. The shear flow q_V , at each location in the cross-section, is calculated considering the cross-section subjected to a unit vertical shear force of 1 N.

The unit shear flow per mm q_v , in N/mm, is to be taken as:

$$q_V = q_D + q_I$$

where:

q_D : Determinate shear flow, as defined in **[1.2]**.

q_I : Indeterminate shear flow which circulates around the closed cells, as defined in **[1.3]**.

In the calculation of the unit shear flow q_V , the longitudinal stiffeners are to be taken into account.

1.2 Determinate shear flow, q_D

1.2.1

The determinate shear flow q_D , in N/mm, at each location in the cross-section is to be obtained from the following line integration:

$$q_D(s) = - \frac{1}{10^6 I_{y-gr}} \int_0^s (z - z_n) t_{gr} ds$$

where:

s : Coordinate value of the running coordinate along the cross-section, in m

I_{y-gr} : Gross moment of inertia of the cross-section, in m⁴

t_{gr} : Gross thickness of plating, in mm.

z_n : Z coordinate of horizontal neutral axis from baseline, in m

1.2.2

It is assumed that the cross-section is composed of line segments as shown in **Figure 1**, where each line segment has a constant plate gross thickness. The determinate shear flow is obtained by the following equation:

$$q_{Dk} = q_D(\ell) = - \frac{t\ell}{2 \times 10^6 I_{y-gr}} (z_k + z_i - 2z_n) + q_{Di} \quad (\text{N/mm})$$

where:

q_{Dk} , q_{Di} : Determinate shear flow, at node k and node i respectively, in N/mm

ℓ : Length of line segments, in m

y_i , y_k : Y coordinates, in m, of the end points i and k of a line segment, as defined in **Figure 1**.

z_i , z_k : Z coordinates, in m, of the end points i and k of a line segment, as defined in **Figure 1**.

1.2.3

Where the cross-section includes closed cells, the closed cells are to be cut with virtual slits, as shown in **Figure 2** in order to obtain the determinate shear flow.

These virtual slits are not to be located in walls which form part of another closed cell.

1.2.4

Determinate shear flow at bifurcation points is to be calculated by water flow calculations or similar, as shown in **Figure 2**.

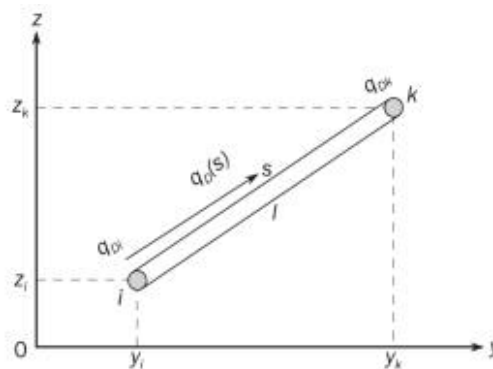


Figure 1 : Definition of line segment

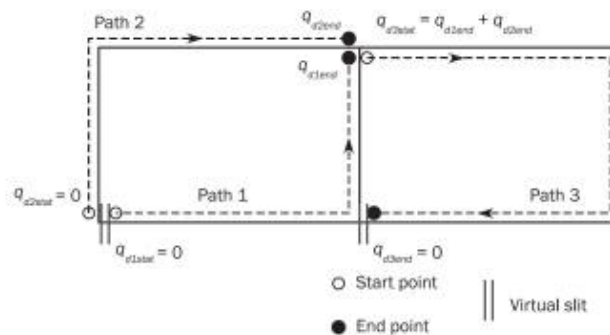


Figure 2 : Calculation of determinate shear flow at bifurcation

1.3 Indeterminate shear flow, q_I

1.3.1

The indeterminate shear flow q_I around the closed cells of a cross-section is considered as a constant value within the same closed cell. The following system of equation for determination of indeterminate shear flows can be developed. In the equations, contour integrations of several parameters around all the closed cells are performed.

$$q_{Ic} \oint_k \frac{1}{t_{gr}} ds - \sum_i \left(q_{Ii} \oint_{k,i} \frac{1}{t_{gr}} ds \right) = - \oint_k \frac{q_D}{t_{gr}} ds$$

where:

q_{Ii}, q_{Ik} : Indeterminate shear flows around the closed cells c and m respectively, in N/mm.

1.3.2

Under the assumption of the assembly of line segments shown in **Figure 1** and constant plate thickness of each line segment, the equation in **[1.3.1]** is expressed as follows:

$$q_{lk} \sum_{cell\ k} \frac{\ell}{t_{gr}} - \sum_i q_{ik} \left(\frac{\ell}{t_{gr}} \right) \Big|_{common\ wall\ with\ cell\ k} = - \sum_{cell\ k} \phi$$

$$\phi = \int_0^{\ell} \frac{q_D(s)}{t_{gr}} ds = \left[- \frac{\ell^2}{6 \times 10^3 I_{y-gr}} (z_k + 2z_i - 3z_n) + \frac{\ell}{t_{gr}} q_{Di} \right]$$

where:

q_{Di} : Determinate shear flow, in N/mm, calculated according to [1.2.2].

The difference in the directions of running coordinates specified in [1.2] and the present [1.3] is to be considered.

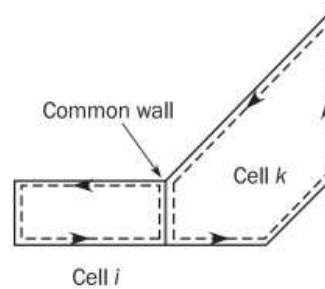


Figure 3 : Closed cells and common wall

1.4 Computation of sectional properties

1.4.1

Properties of the cross-section are to be obtained by the following formulae, where the cross-section is assumed to be made of the assembly of line segments:

$$\ell = \sqrt{(y_k - y_i)^2 + (z_k - z_i)^2}$$

$$a_{gr} = 10^{-3} \ell t_{gr} \qquad A_{gr} = \sum a_{gr}$$

$$s_{y-gr} = \frac{a_{gr}}{2} (z_k + z_i) \qquad S_{y-gr} = \sum s_{y-gr}$$

$$i_{y0-gr} = \frac{a_{gr}}{3} (z_k^2 + z_k z_i + z_i^2) \qquad I_{y0-gr} = \sum i_{y0-gr}$$

where:

y_i, z_i : Y and Z coordinates of start point i of a line segment, in m, as defined in Figure 1

y_k, z_k : Y and Z coordinates of end point k of a line segment, in m, as defined in Figure 1

a_{gr}, A_{gr} : Areas of the line segment and the cross-section respectively, in m²

s_{y-gr}, S_{y-gr} : First moments of the line segment and the cross-section about the baseline, in m³

i_{y0-gr}, I_{y0-gr} : Moments of inertia of the line segment and the cross-section about the baseline, in m⁴.

1.4.2

The height of the horizontal neutral axis z_n , in m, is to be obtained as follows:

$$z_n = \frac{S_{y-gr}}{A_{gr}}$$

1.4.3

The moment of inertia about the horizontal neutral axis, in m⁴, is to be obtained as follows:

$$I_{y-gr} = I_{y0-gr} - z_n^2 A_{gr}$$

Chapter 6

Hull Local Scantling

| | |
|-----------|--|
| Section 1 | General |
| Section 2 | Load Application |
| Section 3 | Minimum Thicknesses |
| Section 4 | Plating |
| Section 5 | Stiffeners |
| Section 6 | Primary Supporting Members and Pillars |

Section 1 – General

1. Application

1.1 Application

1.1.1

This chapter applies to hull structure over the full length of the ship including fore end, cargo hold region, machinery space and aft end, the side shell above the freeboard deck, engine casing, exposed decks of superstructure and internal decks except those inside superstructure and deckhouse.

1.1.2

This chapter provides requirements for evaluation of plating, stiffeners and Primary Supporting Members (PSM) subject to lateral pressure, local loads and to hull girder loads, as applicable. Requirements are specified for:

- a) Load application in **Ch 6, Sec 2**.
- b) Minimum thickness of plates, stiffeners and PSM in **Ch 6, Sec 3**.
- c) Plating in **Ch 6, Sec 4**.
- d) Stiffeners in **Ch 6, Sec 5**.
- e) PSM and pillars in **Ch 6, Sec 6**.

In addition, other requirements not related to defined design load sets, are provided.

1.1.3

The offered net scantling is to be greater than or equal to the required scantlings based on requirements provided in this chapter.

1.1.4

Additional local strength requirements are provided in **Ch 10** considering bow impact loads and bottom slamming loads for fore end, machinery space and aft end.

1.2 Acceptance criteria

1.2.1

Acceptance criteria set to be selected based on design load as follows:

- a) AC-S for design load S; static loads
- b) AC-SD for design load S+D; combination of static and dynamic loads
- c) AC-A for design load A; accidental loads
- d) AC-T for design load T; tank test or overflowing of tank loads

Section 2 – Load Application

Symbols

For symbols not defined in this section, refer to **Ch 1, Sec 4**.

1. Load combination

1.1 Hull girder bending

1.1.1 Normal stresses

The normal stress σ_{hg} , in N/mm², induced by acting vertical and horizontal bending moments at the position being considered is given as follow. This stress is to be calculated for each design load set, as defined in [2] covering all dynamic load cases defined in **Ch 4** in combination with M_{sw} both in hogging and in sagging.

$$\sigma_{hg} = \left(\frac{M_{sw} + M_{wv-LC}}{I_{y-n50}} (z - z_n) - \frac{M_{wh-LC}}{I_{z-n50}} y \right) 10^{-3}$$

where:

M_{sw} : Still water bending moment, in kNm, as defined in **Ch 4, Sec 4, [2.2]** in accordance with the considered design load scenario in **Ch 4, Sec 7, Table 1**.

M_{wv-LC} : Vertical wave bending moment, in kNm, of the considered dynamic load case, as defined in **Ch 4, Sec 4, [3.5.2]** in accordance with the considered design load scenario in **Ch 4, Sec 7, Table 1**, at the considered longitudinal position.

M_{wh-LC} : Horizontal wave bending moment, in kNm, of the considered dynamic load case, as defined in **Ch 4, Sec 4, [3.5.4]** in accordance with the considered design load scenario in **Ch 4, Sec 7, Table 1**, at the considered longitudinal position.

I_{y-n50} : Net vertical hull girder moment of inertia, at the longitudinal position being considered, in m⁴

I_{z-n50} : Net horizontal hull girder moment of inertia, at the longitudinal position being considered, in m⁴

y : Transverse coordinate of load calculation point, in m.

z : Vertical coordinate of the load calculation point under consideration, in m.

z_n : Distance from the baseline to the horizontal neutral axis, in m.

1.2 Lateral pressures

1.2.1 Static and dynamic pressures in intact conditions

The static and dynamic lateral pressures in intact condition induced by the sea and the various types of cargoes, ballast and other liquids are to be considered. Applied loads will depend on the location of the elements under consideration, and the adjacent type of compartments.

1.2.2 Pressure in collision condition

The internal cargo pressure due to collision is to be considered with colliding acceleration a_x , whose direction is decided depending on the position of transverse bulkhead of the cargo hold considered, combined with static cargo pressure.

1.2.3 Lateral pressure in flooded conditions

Watertight boundaries of compartments not intended to carry liquids, excluding shell envelope, are to be subjected to lateral pressure in flooded conditions

1.3 Pressure combination

1.3.1 Elements of the outer shell

If the compartment adjacent to the outer shell is intended to carry liquids, the static and dynamic lateral pressures to be considered are the differences between the internal pressures and the external sea pressures at the corresponding draught.

If the compartment adjacent to the outer shell is not intended to carry liquids, the internal pressures and external sea pressures are to be considered independently.

1.3.2 Elements other than those of the outer shell

Except as specified in [1.3.1], the static and dynamic lateral pressures on an element separating two adjacent compartments are those obtained considering the two compartments individually loaded.

2. Design load sets

2.1 Application of load components

2.1.1 Application

These requirements apply to:

- a) Plating and stiffeners along the full length of the ship.
- b) PSM outside the cargo hold region.

2.1.2 Load components

The static and dynamic load components are to be determined in accordance with **Ch 4, Sec 7, Table 1**. Radius of gyration, k_y , and metacentric height, GM , are to be in accordance with **Ch 4, Sec 3, Table 1** for the considered loading conditions specified in the design load sets given in **Table 1**.

2.1.3 Design load sets for plating, stiffeners and PSM

Design load sets for plating, stiffeners and primary supporting members are given in **Table 1**.

Table 1: Design load sets (2023)

| Item | Design load set | Load component | Draught | Design load | Loading condition |
|---|--------------------|----------------------------------|--------------|-------------|----------------------------------|
| External shell and Exposed deck | SEA-1 | P_{ex}, P_D | T_{SC} | S+D | Full load condition |
| | SEA-2 | P_{ex} | T_{SC} | S | Harbour condition ⁽¹⁾ |
| Water ballast tank | WB-1 | $P_{in} - P_{ex}$ ⁽²⁾ | $0.7 T_{SC}$ | S+D | Ballast condition |
| | WB-2 | $P_{in} - P_{ex}$ ⁽²⁾ | $0.7 T_{SC}$ | S+D | Ballast exchange condition |
| | WB-3 | $P_{in} - P_{ex}$ ⁽²⁾ | $0.7 T_{SC}$ | S | Harbour condition |
| | WB-4 | $P_{in} - P_{ex}$ ⁽²⁾ | $0.4 T_{SC}$ | T | Tank testing condition |
| Tanks other than water ballast tank | TK-1 | $P_{in} - P_{ex}$ ⁽²⁾ | $0.7 T_{SC}$ | S+D | Ballast condition |
| | TK-2 | $P_{in} - P_{ex}$ ⁽²⁾ | $0.7 T_{SC}$ | S | Harbour condition |
| | TK-3 | $P_{in} - P_{ex}$ ⁽²⁾ | $0.4 T_{SC}$ | T | Test condition |
| Cargo Hold Area | CH-1 | P_{in} | T_{SC} | S+D | Full load condition |
| | CH-2 | P_{in} | $0.8 T_{SC}$ | S+D | One hold loading condition |
| | COL ⁽³⁾ | P_{in} | - | A | Collision condition |
| Compartment not carrying liquid | FD ⁽⁴⁾ | P_{in} | T_{SC} | A | Flooded condition |
| Notes: (1) For external shell only. (2) P_{ex} is to be considered for external shell only. (3) COL set means collision conditions that 0.5g and -0.25g of colliding accelerations in way of longitudinal direction are to be applied for full loaded cargo holds under Accidental design load (A) in order to verify structural integrity of cargo hold boundary and support structures, refer to Pt 7 Ch 5, Sec 4, [415] . (4) FD is not applicable to external shell. | | | | | |

Section 3 – Minimum Thickness

Symbols

For symbols not defined in this section, refer to **Ch 1, Sec 4**.

L_2 : Reference rule length, in m, taken as less of L and 300 m.

1. Plating

1.1 Minimum thickness requirements

1.1.1

The net thickness of plating in mm, is to comply with the appropriate minimum thickness requirements given in **Table 1**.

Table 1: Minimum net thickness for plating

| Element | Location | Area | Net thickness |
|-----------------------------|--|-----------------------------|--------------------------|
| Shell | Keel | – | $7.5 + 0.03L_2\sqrt{k}$ |
| | Bottom Side shell Bilge | Fore Part | $5.5 + 0.03L_2\sqrt{k}$ |
| | | Machinery space Aft part | $7.0 + 0.02L_2\sqrt{k}$ |
| | | Elsewhere | $4.5 + 0.02L_2\sqrt{k}$ |
| Breasthook | Fore part | 6.5 | |
| Deck | Weather deck, strength deck, internal tank boundary | – | $3.7 + 0.019L_2\sqrt{k}$ |
| | | Machinery space | $3.7 + 0.019L_2\sqrt{k}$ |
| | Platform deck | Elsewhere | 6.5 |
| Inner bottom ⁽¹⁾ | – | Machinery space | $6.1 + 0.024L_2\sqrt{k}$ |
| | | Elsewhere | $4.0 + 0.028L_2\sqrt{k}$ |
| Bulkheads | Internal tank boundary, Transverse/longitudinal watertight bulkhead | – | $4.5 + 0.01L_2\sqrt{k}$ |
| | Non-tight bulkhead, Bulkheads between dry spaces. | – | $4.5 + 0.008L_2\sqrt{k}$ |
| | Pillar bulkheads in fore and aft peaks | – | 7.5 |
| Other members | Engine casing (in way of accommodation) | – | 4.0 |
| | Other plates in general | – | $4.5 + 0.01L_2\sqrt{k}$ |

(1) Applicable for both tight and non tight members

2. Stiffeners and tripping brackets

2.1 Minimum thickness requirements

2.1.1

The net thickness of the web and face plate, if any, of stiffeners and tripping brackets in mm, is to comply with the minimum net thickness given in **Table 2**.

In addition, the net thickness of the web of stiffeners and tripping brackets, in mm, is to be:

- a) Not less than 40% of the net required thickness of the attached plating, to be determined according to **Ch 6, Sec 4**.
- b) Less than twice the net offered thickness of the attached plating.

Table 2: Minimum net thickness for plating

| Element | Location | Net thickness |
|--------------------------------------|---------------------|------------------|
| Stiffeners and attached end brackets | Watertight boundary | $4.5 + 0.007L_2$ |
| | Other structure | $4.0 + 0.007L_2$ |
| Tripping brackets | | $4.5 + 0.01L_2$ |

3. Primary supporting members

3.1 Minimum thickness requirements

3.1.1

The net thickness of web plating and flange of primary supporting members in mm, is to comply with the minimum net thickness given in **Table 3**.

Table 3: Minimum net thickness for primary supporting members (2023)

| Element | Location | Net thickness |
|---------------------------------|-----------------|-------------------------|
| Double bottom centreline girder | Machinery space | $0.5\sqrt{L_2k} + 5.5$ |
| | Elsewhere | $0.45\sqrt{L_2k} + 5.0$ |
| Other bottom girder | Machinery space | $0.45\sqrt{L_2k} + 5.0$ |
| | Fore part | $0.45\sqrt{L_2k} + 4.0$ |
| | Elsewhere | $0.35\sqrt{L_2k} + 3.5$ |
| Girders bounding a duct keel | Machinery space | $0.5\sqrt{L_2k} + 5.0$ |
| Bottom floor | Machinery space | $0.4\sqrt{L_2k} + 5.0$ |
| | Fore part | $0.35\sqrt{L_2k} + 5.0$ |
| | Elsewhere | $0.3\sqrt{L_2k} + 4.0$ |
| Aft peak floor | – | $0.3\sqrt{L_2k} + 4.0$ |
| Other primary supporting member | – | $0.2\sqrt{L_2k} + 4.0$ |

Section 4 – Plating

Symbols

For symbols not defined in this section, refer to **Ch 1, Sec 4**.

α_p : Correction factor for the panel aspect ratio to be taken as follow but not to be taken greater than 1.0.

$$\alpha_p = 1.2 - \frac{b}{2.1a}$$

a : Length of plate panel, in mm, as defined in **Ch 3, Sec 7, [2.2.2]**.

b : Breath of plate panel, in mm, as defined in **Ch 3, Sec 7, [2.2.2]**.

P : Design pressure for the considered design load set, see **Ch 6, Sec 2, [2]**, calculated at the load calculation point defined in **Ch 3, Sec 7, [2.2]**, in kN/m².

σ_{hg} : Hull girder bending stress, in N/mm², as defined in **Ch 6, Sec 2, [1.1]**, calculated at the load calculation point as defined in **Ch 3, Sec 7, [2.2]**.

1. Plating subjected to lateral pressure

1.1 Yielding check

1.1.1 Plating

The net thickness, t in mm, is not to be taken less than the greatest value for all applicable design load sets, as defined in **Ch 6, Sec 2, [2.1.3]**, given by:

$$t = 0.0158 \alpha_p b \sqrt{\frac{|P|}{C_a R_{eH}}}$$

where:

C_a : Permissible bending stress coefficient for plate taken equal to:

$$C_a = \beta - \alpha \frac{|\sigma_{hg}|}{R_{eH}}, \text{ not to be taken greater than } C_{a-\max}$$

β : Coefficient as defined in **Table 1**.

α : Coefficient as defined in **Table 1**.

$C_{a-\max}$: Maximum permissible bending stress coefficient as defined in **Table 1**.

Table 1: Definition β , α and C_{a-max}

| Acceptance criteria set | Structural member | | β | α | C_{a-max} |
|-------------------------|-------------------------------|----------------------------------|---------|----------|-------------|
| AC-S | Longitudinal strength members | Longitudinally stiffened plating | 0.9 | 0.5 | 0.8 |
| | | Transversely stiffened plating | 0.9 | 1.0 | 0.8 |
| | Other members | | 0.8 | 0 | 0.8 |
| AC-SD | Longitudinal strength members | Longitudinally stiffened plating | 1.05 | 0.5 | 0.95 |
| | | Transversely stiffened plating | 1.05 | 1.0 | 0.95 |
| | Other members | | 0.95 | 0 | 0.95 |
| AC-A ⁽¹⁾ | Longitudinal strength members | Longitudinally stiffened plating | 1.1 | 0.5 | 1.0 |
| | | Transversely stiffened plating | 1.1 | 1.0 | 1.0 |
| | Other members | | 1.0 | 0 | 1.0 |
| AC-T | Longitudinal strength members | Longitudinally stiffened plating | 1.2 | 0.75 | 1.05 |
| | | Transversely stiffened plating | 1.2 | 1.5 | 1.05 |
| | Other members | | 1.05 | 0 | 1.05 |

1) In case of COL design load set, C_a is to be calculated with the hull girder stress by still water bending moment only.

2. Special requirements

2.1 Minimum thickness of keel plating

2.1.1

The net thickness of the keel plating is not to be taken less than the offered net thickness of the adjacent 2 m width bottom plating, measured from the edge of the keel strake. The width of the keel is defined in Ch 3, Sec 6, [7.2.1].

2.2 Bilge plating

2.2.1 Definition of bilge area

The definition of bilge area is given in Ch 1, Sec 4, [3.7.1].

2.2.2 Bilge plate thickness

- The net thickness of bilge plating is not to be taken less than the offered net thickness for the adjacent bottom shell or adjacent side shell plating, whichever is greater.
- The net thickness of rounded bilge plating, t , in mm, is not to be taken less than:

$$t = 6.45 \times 10^{-4} (P_{ex} S_b)^{0.4} R^{0.6}$$

where:

P_{ex} : Design sea pressure for the design load set SEA-1 as defined in Ch 6, Sec 2, [2.1.3] calculated at the lower turn of the bilge, in kN/m^2 .

R : Effective bilge radius in mm.

$$R = R_0 + 0.5(\Delta s_1 + \Delta s_2)$$

R_0 : Radius of curvature, in mm. See Figure 1.

Δs_1 : Distance between the lower turn of bilge and the outermost bottom longitudinal, in mm, see Figure 1. Where the outermost bottom longitudinal is within the curvature, this distance is to be taken as zero.

Δs_2 : Distance between the upper turn of bilge and the lowest side longitudinal, in mm, see Figure 1. Where the lowest side longitudinal is within the curvature, this distance is to be taken as zero.

s_b : Distance between transverse stiffeners, webs or bilge brackets, in mm.

- c) Longitudinally stiffened bilge plating is to be assessed as regular stiffened plating. The bilge thickness is not to be less than the lesser of the value obtained by [1.1.1] and [2.2.2] b). A bilge keel is not considered as an effective 'longitudinal stiffening' member.

2.2.3 Transverse extension of bilge minimum plate thickness

Where a plate seam is located in the straight plate just below the lowest stiffener on the side shell, any increased thickness required for the bilge plating does not have to be extended to the adjacent plate above the bilge provided the plate seam is not more than $s_2/4$ below the lowest side longitudinal. Similarly, for the flat part of adjacent bottom plating, any increased thickness for the bilge plating does not have to be extended to the adjacent plate provided that the plate seam is not more than $s_1/4$ beyond the outboard bottom longitudinal. For definition of s_1 and s_2 , see Figure 1.

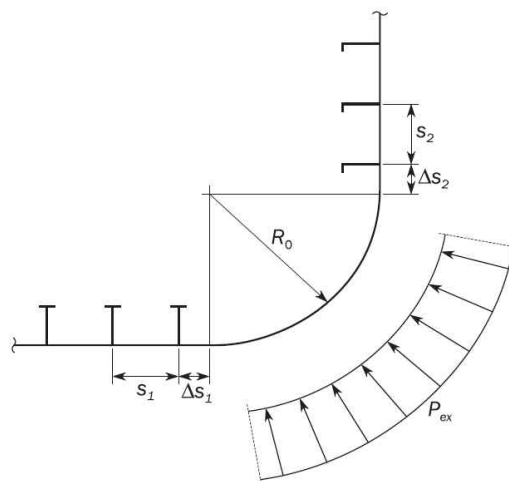


Figure 1: Transverse stiffened bilge plating

2.2.4 Hull envelope framing in bilge area

For transversely stiffened bilge plating, a longitudinal is to be fitted at the bottom and at the side close to the position where the curvature of the bilge plate starts. The scantling of those longitudinals are to be not less than the one of the closer adjacent stiffener. The distance between the lower turn of bilge and the outermost bottom longitudinal, Δs_1 , is generally not to be greater than one-third of the spacing between the two outermost bottom longitudinals, s_1 . Similarly, the distance between the upper turn of the bilge and the lowest side longitudinal, Δs_2 , is generally not to be greater than

one-third of the spacing between the two lowest side longitudinals, s_2 , See **Figure 1**.

2.3 Side shell plating

2.3.1 Fender contact zone

The net thickness, t in mm, of the side shell plating within the fender contact zone as specified in **[2.3.2]** is not to be taken less than:

$$t = 26 \left(\frac{b}{1000} + 0.7 \right) \left(\frac{B T_{sc}}{R_{eH}^2} \right)^{0.25}$$

2.3.2 Application of fender contact zone requirement

The application extends within the cargo hold region as defined in **Ch 1, Sec 1, [2.4.3]**, from the ballast draught T_{BAL} to $0.25 T_{sc}$ (minimum 2.2 m) above T_{sc} .

2.4 Sheer strake

2.4.1 General

The minimum width of the sheer strake is defined in **Ch 3, Sec 6, [8.2.4]**.

2.4.2 Welded sheer strake

The net thickness of a welded sheer strake is not to be less than the offered net thickness of the adjacent 2 m width side plating, provided this plating is located entirely within double side tank as the case may be.

2.4.3 Rounded sheer strake

The net thickness of a rounded sheer strake is not to be less than:

- a) The offered net thickness of the adjacent 2 m width deck plating, or
 - b) The offered net thickness of the adjacent 2 m width side plating,
- whichever is greater.

2.5 Deck stringer plating

2.5.1

The minimum width of deck stringer plating is defined in **Ch 3, Sec 6, [9.1.2]**.

2.5.2

Within $0.6L$ of amidships, the net thickness of the deck stringer plate is not to be less than the offered net thickness of the adjacent deck plating.

2.6 Aft peak bulkhead

2.6.1

The net thickness of the aft peak bulkhead plating in way of the stern tube penetration is to be at least 1.6 times the required thickness for the bulkhead plating.

2.7 Plating in cargo tank boundary

2.7.1 By IGC pressure

The net thickness of inner hull plating protected by cargo containment system, t in mm, is not to be taken less than:

$$t = 0.0158 \alpha_p b \sqrt{\frac{|P_{IGC}|}{C_{a-IGC} R_{eH}}}$$

where:

P_{IGC} : Pressure given in **Pt 7, Ch 5, Sec 4, [428]**, in kN/m^2 .

C_{a-IGC} : Permissible bending stress coefficient for plate taken equal to:

$$C_{a-IGC} = \beta_{IGC} - \alpha_{IGC} \frac{\sigma_{hg-IGC}}{R_{eH}}, \text{ not to be taken greater than } C_{a-IGC-\max}$$

$$\sigma_{hg-IGC} = \max \left[\left| \left(\frac{M_{sw} + M_{wv-LC}}{I_{y-n50}} (z - z_n) \right) 10^{-3} \right|, \left| \left(\frac{M_{sw} + 0.5 M_{wv-LC}}{I_{y-n50}} (z - z_n) \right) + \left(\frac{M_{wh-LC}}{I_{z-n50}} (y - y_n) \right) \right| 10^{-3} \right]$$

β_{IGC} : Coefficient as defined in **Table 2**.

α_{IGC} : Coefficient as defined in **Table 2**.

$C_{a-IGC-\max}$: Maximum permissible bending stress coefficient as defined in **Table 2**.

Table 2: Definition β_{IGC} , α_{IGC} and $C_{a-IGC-\max}$

| Acceptance criteria set | Structural member | | β_{IGC} | α_{IGC} | $C_{a-IGC-\max}$ |
|-------------------------|-------------------------------|----------------------------------|---------------|----------------|------------------|
| IGC condition | Longitudinal strength members | Longitudinally stiffened plating | 1.05 | 0.5 | 0.95 |
| | | Transversely stiffened plating | 1.05 | 1.0 | 0.95 |
| | Other members | | 1.0 | 0 | 1.0 |

2.7.2 By sloshing pressure (2023)

The net thickness of plating, t in mm, subjected to sloshing pressures is not to be less than:

$$t = 0.0158 \alpha_p b \sqrt{\frac{P_{slh}}{C_{a-slh} R_{eH}}}$$

where:

P_{slh} : Pressure given in **Ch 4, Sec 6, [2.2]**, in kN/m^2 , respectively.

C_{a-slh} : Permissible bending stress coefficient for plate taken equal to:

$$C_{a-slh} = \beta - \alpha \frac{\sigma_{hg-slh}}{R_{eH}}, \text{ not to be taken greater than } C_{a-\max}$$

$$\sigma_{hg-slh} = \left(\frac{M_{sw}}{I_{y-n50}} (z - z_n) \right) 10^{-3} \text{ in } \text{N/mm}^2.$$

β : Coefficient of AC-SD as defined in **Table 1**.

α : Coefficient of AC-SD as defined in **Table 1**.

$C_{a-\max}$: Maximum permissible bending stress coefficient of AC-SD as defined in **Table 1**.

Section 5 – Stiffeners

Symbols

For symbols not defined in this section, refer to **Ch 1, Sec 4**.

- d_{shr} : Effective shear depth, in mm, as defined in **Ch 3, Sec 7, [1.4.3]**.
- ℓ_{bdg} : Effective bending span, in m, as defined in **Ch 3, Sec 7, [1.1.2]**.
- ℓ_{shr} : Effective shear span, in m, as defined in **Ch 3, Sec 7, [1.1.3]**.
- P : Design pressure for the design load set being defined in **Ch 6, Sec 2** and calculated at the load calculation point defined in **Ch 3, Sec 7, [3.2]**, in kN/m^2
- σ_{hg} : Hull girder bending stress, in N/mm^2 , as defined in **Ch 6, Sec 2, [1.1]**, calculated at the load calculation point as defined in **Ch 3, Sec 7, [2.2]**.

1. Stiffeners subject to lateral pressure

1.1 Yielding check

1.1.1 Web plating

The minimum net web thickness, t_w in mm, is not to be taken less than the greatest value calculated for all applicable design load sets as defined in **Ch 6, Sec 2, [2]**, given by:

$$t_w = \frac{f_{shr} |P| s \ell_{shr}}{d_{shr} C_t \tau_{eH}}$$

where:

- f_{shr} : Shear force distribution factor taken as:
- For continuous stiffeners with fixed ends, f_{shr} is not to be taken less than:
 - $f_{shr} = 0.5$ for horizontal stiffeners and upper end of vertical stiffeners.
 - $f_{shr} = 0.7$ for lower end of vertical stiffeners
 - For continuous stiffeners with simple support ends, $f_{shr} = 0.5$
 - For stiffeners with reduced end fixity, variable load or being part of grillage, the requirement in **[1.2]** applies.
- C_t : Permissible shear stress coefficient for the design load set being considered, taken as:
- $C_t = 0.75$ for acceptance criteria set AC-S.
 - $C_t = 0.90$ for acceptance criteria set AC-SD.
 - $C_t = 1.0$ for acceptance criteria set AC-A and AC-T.

1.1.2 Section modulus

The minimum net section modulus, Z in cm^3 , is not to be taken less than the greatest value calculated for all applicable design load sets as defined in **Ch 6, Sec 2, [2.1.3]**, given by:

$$Z = \frac{|P| s \ell_{bdg}^2}{f_{bdg} C_s R_{eH}}$$

where:

f_{bdg} : Bending moment factor taken as:

- a) For continuous stiffeners with fixed ends, f_{bdg} is not to be taken higher than:
 - $f_{bdg} = 12$ for horizontal stiffeners and upper end of vertical stiffeners.
 - $f_{bdg} = 10$ for lower end of vertical stiffeners.
- b) For continuous stiffeners with simple supported ends, $f_{bdg} = 8$
- c) For stiffeners with reduced end fixity, variable load or being part of grillage, the requirement in [1.2] applies.

C_s : Permissible bending stress coefficient as defined in **Table 1** for the design load set being considered.

β_s : Coefficient as defined in **Table 2**.

α_s : Coefficient as defined in **Table 2**.

C_{s-max} : Coefficient as defined in **Table 2**.

Table 1: Definition of C_s

| Sign of hull girder bending stress, σ_{hg} | Lateral pressure acting on | Coefficient C_s |
|---|----------------------------|---|
| Tension (positive) | Stiffener side | $C_s = \beta_s - \alpha_s \frac{ \sigma_{hg} }{R_{eH}}$ but not to be taken greater than C_{s-max} |
| Compression (negative) | Plate side | |
| Tension (positive) | Plate side | $C_s = C_{s-max}$ |
| Compression (negative) | Stiffener side | |

Table 2: Definition of β_s , α_s and C_{s-max}

| Acceptance criteria set | Structural member | β_s | α_s | C_{s-max} |
|-------------------------|-------------------------------|-----------|------------|-------------|
| AC-S | Longitudinal strength member | 0.95 | 1.0 | 0.85 |
| | Transverse or vertical member | 0.85 | 0 | 0.85 |
| AC-SD | Longitudinal strength member | 1.1 | 1.0 | 0.95 |
| | Transverse or vertical member | 0.95 | 0 | 0.95 |
| AC-A ⁽¹⁾ | Longitudinal strength member | 1.1 | 1.0 | 1.0 |
| | Transverse or vertical member | 1.0 | 0 | 1.0 |
| AC-T | Longitudinal strength member | 1.25 | 1.0 | 1.15 |
| | Transverse or vertical member | 1.15 | 0 | 1.15 |

1) In case of COL design load set, C_s is to be calculated with the hull girder stress by still water bending moment only.

1.1.3 Group of stiffeners

Scantlings of stiffeners based on requirements in [1.1.1] and [1.1.2] may be decided based on the concept of grouping designated sequentially placed stiffeners of equal scantlings on a single stiffened panel. The scantling of the group is to be taken as the greater of the following:

- a) The average of the required scantling of all stiffeners within a group.
- b) 90% of the maximum scantling required for any one stiffener within the group.

1.1.4 Plate and stiffener of different materials

When the minimum specified yield stress of a stiffener exceeds the minimum specified yield stress of the attached plate by more than 35%, the following criterion is to be satisfied:

$$R_{eH-s} \leq \left(R_{eH-P} - \frac{\alpha_s |\sigma_{hg}|}{\beta_s} \right) \frac{Z_P}{Z} + \frac{\alpha_s |\sigma_{hg}|}{\beta_s}$$

where:

R_{eH-s} : Minimum specified yield stress of the material of the stiffener, in N/mm².

R_{eH-P} : Minimum specified yield stress of the material of the attached plate, in N/mm²

σ_{hg} : Hull girder bending stress, in N/mm², as defined in **Ch 6, Sec 2, [1.1]** with $|\sigma_{hg}|$ not to be taken less than $0.4 R_{eH-P}$.

Z : Net section modulus, in way of face plate/free edge of the stiffener, in cm³.

Z_P : Net section modulus, in way of the attached plate of the stiffener, in cm³.

α_s, β_s : Coefficients defined in **Table 2**.

1.2 Beam analysis

1.2.1 Direct analysis

The maximum normal bending stress, σ and shear stress, τ in a stiffener using net properties with reduced end fixity, variable load or being part of grillage are to be determined by direct calculations taking into account:

- a) The distribution of static and dynamic pressures and forces, if any.
- b) The number and position of intermediate supports (e.g. decks, girders, etc).
- c) The condition of fixity at the ends of the stiffener and at intermediate supports.
- d) The geometrical characteristics of the stiffener on the intermediate spans.

1.2.2 Stress criteria

The stress is to comply with the following criteria where the coefficients C_t and C_s , are defined in **[1.1.1]** and **[1.1.2]**.

a) $\tau \leq C_t \tau_{eH}$

b) $\sigma \leq C_s R_{eH}$

2. Special requirements

2.1 Section modulus of stiffener attached on cargo tank boundary

2.1.1 By IGC pressure

The minimum net section modulus of stiffeners connected to inner hull protected by cargo containment system, Z_{IGC} in cm³, is not to be taken less than:

$$Z_{IGC} = \frac{|P_{IGC}| s \ell_{bdg}^2}{f_{bdg} C_{s-IGC} R_{eH}} \quad \text{with } C_{IGC} \text{ not to be taken greater than 1.0}$$

where:

P_{IGC} : Dynamic pressure defined in Pt 7, Ch 5, Sec 4, [428.], in kN/m².

f_{bdg} : Bending moment factor taken as:

a) For continuous stiffeners with fixed ends, f_{bdg} is not to be taken higher than:

- $f_{bdg} = 12$ for horizontal stiffeners and upper end of vertical stiffeners.
- $f_{bdg} = 10$ for lower end of vertical stiffeners.

b) For stiffeners with reduced end fixity, variable load or being part of grillage, the requirement in [1.2] applies.

C_{s-IGC} : Permissible bending stress coefficient as defined in Table 3 for the design load set being considered.

σ_{hg-IGC} : Coefficient as defined in Ch 6, Sec 4, [2.7.1].

β_{s-IGC} : Coefficient as defined in Table 4.

α_{s-IGC} : Coefficient as defined in Table 4.

$C_{s-IGC-max}$: Coefficient as defined in Table 4.

Table 3 : Definition of C_{s-IGC}

| Sign of hull girder bending stress, σ_{hg} | Lateral pressure acting on | Coefficient C_{s-IGC} |
|---|----------------------------|---|
| Compression (negative) | Plate side | $C_{s-IGC} = \beta_{s-IGC} - \alpha_{s-IGC} \frac{ \sigma_{hg-IGC} }{R_{eH}}$ but not to be taken greater than $C_{s-IGC-max}$ |
| Tension (positive) | Plate side | $C_{s-IGC} = C_{s-IGC-max}$ |

Table 4 : Definition of β_{s-IGC} , α_{s-IGC} and $C_{s-IGC-max}$

| Acceptance criteria set | Structural member | β_{s-IGC} | α_{s-IGC} | $C_{s-IGC-max}$ |
|-------------------------|-------------------------------|-----------------|------------------|-----------------|
| IGC condition | Longitudinal strength member | 1.1 | 1.0 | 0.95 |
| | Transverse or vertical member | 0.95 | 0 | 0.95 |

2.1.2 By sloshing pressure of cargo tanks (2023)

The net section modulus Z in cm³, of stiffeners subject to sloshing pressure is not to be taken less than:

$$Z = \frac{|P_{slh}| s \ell_{bdg}^2}{f_{bdg} C_{s-slh} R_{eH}}$$

f_{bdg} : Bending moment factor taken as:

a) For continuous stiffeners generally, $f_{bdg} = 12$.

b) For discontinuous stiffeners, $f_{bdg} = 8$.

P_{slh} : Pressure given in **Ch 4, Sec 6, [2.2]**, in kN/m^2 , respectively.

C_{s-slh} : Permissible bending stress coefficient for plate taken equal to:

$$C_{s-slh} = \beta_s - \alpha_s \frac{\sigma_{hg-slh}}{R_{eH}}, \text{ not to be taken greater than } C_{s-\max}$$

$$\sigma_{hg-slh} = \left(\frac{M_{sw}}{I_{y-n50}} (z - z_n) \right) 10^{-3} \text{ in N/mm}^2.$$

β_s : Coefficient of AC-SD as defined in **Table 2**.

α_s : Coefficient of AC-SD as defined in **Table 2**.

$C_{s-\max}$: Maximum permissible bending stress coefficient of AC-SD as defined in **Table 2**.

Section 6 – Primary Support Members and Pillars

Symbols

For symbols not defined in this section, refer to **Ch 1, Sec 4**.

ℓ_{bdg} : Effective bending span, in m, as defined in **Ch 3, Sec 7, [1.1.5]**.

ℓ_{shr} : Effective shear span, in m, as defined in **Ch 3, Sec 7, [1.1.6]**.

P : Design pressure for the design load set being defined in **Ch 6, Sec 2** and calculated at the load calculation point defined in **Ch 3, Sec 7, [3.2]**, in kN/m^2

1. General

1.1 Application

1.1.1

The requirements of this section apply to primary supporting members subjected to lateral pressure and concentrated loads and pillars subjected to compressive axial loads. The yielding check is to be carried out for such members subjected to specific loads.

2. Primary support members within cargo hold region

2.1 Application

2.1.1

The scantlings of primary supporting members within the cargo hold region are to be verified by FE structural analysis as defined in **Ch 7**.

3. Primary supporting members outside cargo hold region

3.1 Application

The requirements of this article apply to primary supporting members, subjected to lateral pressure within the fore part, aft part and machinery space.

3.2 Scantling requirements

3.2.1 Net section modulus

The net section modulus, Z_{n50} in cm^3 , of primary supporting members subjected to lateral pressure is not to be taken less than the greatest value for all applicable design load sets defined in **Ch 6, Sec 2, [2]**, given by:

$$Z_{n50} = 1000 \frac{|P| S_{bdg}^2}{f_{bdg} C_s R_{eH}}$$

where:

f_{bdg} : Bending moment distribution factor, as given in **Table 2**.

C_s : Permissible bending stress coefficient for the acceptance criteria set, as given in **Table 1**.

3.2.2 Net shear area

The net shear area, $A_{shr-n50}$ in cm^2 , of primary supporting members subjected to lateral pressure is not to be taken less than the greatest value for all applicable design load sets defined in **Ch 6, Sec 2, [2]**, given by:

$$A_{shr-n50} = 10 \frac{f_{shr} |P| S l_{shr}}{C_t \tau_{eH}}$$

where:

f_{shr} : Shear force distribution factor, as given in **Table 2**.

C_t : Permissible shear stress coefficient for the acceptance criteria set being considered, as given in **Table 1**.

Table 1 : Permissible bending and shear stress coefficients for primary supporting members

| Acceptance criteria set | Structure attached to primary supporting member | C_s and C_t |
|-------------------------|---|-----------------|
| AC-S | All boundaries, including decks and flats | 0.70 |
| AC-SD | All boundaries, including decks and flats | 0.85 |
| AC-A AC-T | All boundaries, including decks and flats | 0.95 |

Table 2 : Bending moment and shear force factors, f_{bdg} and f_{shr}

| Load and boundary condition | | | | Bending moment and shear force distribution factors (based on load at mid span, where load varies) | | |
|-----------------------------|-----------|---------|-----------|--|------------|--------------|
| Position | | | | 1 | 2 | 3 |
| Load model | 1 Support | 2 Field | 3 Support | f_{bdg1} | f_{bdg2} | f_{bdg3} |
| | | | | f_{shr1} | - | f_{shr3} |
| A | | | | 12.0 0.50 | 24.0 - | 12.0 0.50 |
| B | | | | - 0.38 | 14.2 - | 8.0 0.63 |
| C | | | | - 0.50 | 8.0 - | - 0.50 |
| D | | | | 15.0 0.30 | 23.3 - | 10.0 0.70 |
| E | | | | - 0.20 | 16.8 - | 7.5 0.80 |
| F | | | | - - | - - | 2.0 1.0 |

Note 1: The bending moment distribution factor, f_{bdg} for the support positions is applicable for a distance of $0.2l_{bdg}$ from the end of the effective bending span of the primary supporting member.

Note 2: The shear force distribution factor, f_{shr} for the support positions is applicable for a distance of $0.2l_{shr}$ from the end of the effective shear span of the primary supporting member.

Note 3: Application of f_{bdg} and f_{shr} :

Note 4: The section modulus requirement within $0.2l_{bdg}$ from the end of the effective span is to be determined using the applicable f_{bdg1} and f_{bdg3} , however f_{bdg} is not to be taken greater than 12.

Note 5: The section modulus of mid-span area is to be determined using $f_{bdg} = 24$, or f_{bdg2} from the table if lesser.

Note 6: The shear area requirement of end connections within $0.2l_{shr}$ from the end of the effective span is to be determined using $f_{shr} = 0.5$ or the applicable f_{shr1} or f_{shr3} , whichever is greater.

Note 7: For models A through F, the value of f_{shr} may be gradually reduced outside of $0.2l_{shr}$ towards $0.5f_{shr}$ at mid-span, where f_{shr} is the greater value of f_{shr1} and f_{shr3} .

3.3 Advanced calculation methods

3.3.1 Direct analysis

Where complex grillage structures are employed, the scantlings are to be determined by direct calculation taking into account:

- The distribution of still water and wave pressure and forces, if any.
- The number and position of intermediate supports (e.g. decks, girders, etc).
- The condition of fixity at the ends of the primary supporting members and at intermediate supports.
- The geometrical characteristics of the primary supporting members on the intermediate spans.

3.3.2 Analysis criteria

The calculated stresses are to comply with the following criteria where the coefficients C_t and C_s , are defined in [3.2]:

- $\sigma \leq C_s R_{eH}$
- $\tau \leq C_t \tau_{eH}$

where:

τ : Shear stress in member, in N/mm², based on t_{n50} .

σ : Normal stress in member, in N/mm², based on t_{n50} .

4. Pillars

4.1 Pillars subjected to compressive axial load

4.1.1 Criteria

The maximum applied compressive axial load on a pillar, F_{pill} , in kN, is to be taken as the greatest value calculated for all applicable design load sets defined in Ch 6, Sec 2, [2], and is given by the following formula:

$$F_{pill} = P b_{a-sup} l_{a-sup} + F_{pill-upr}$$

where:

b_{a-sup} : Mean breadth of area supported, in m.

l_{a-sup} : Mean length of area supported, in m.

$F_{pill-upr}$: Axial load from pillar including axial load from pillars above, in kN, if any.

$A_{pill-n50}$: Net cross section area of the pillar, in cm².

The buckling check of the pillar is to be performed according to Ch 8, Sec 4, [3.1], with σ_{av} in N/mm², as defined in Ch 8, Sec 5, [3.1] given by:

$$\sigma_{av} = 10 \frac{F_{pill}}{A_{pill-n50}}$$

4.2 Pillars subject to tensile axial load

4.2.1 Criteria

Pillars and PSM members subjected to tensile axial load are to satisfy the criteria given in [3.3.2].

Chapter 7

Direct Strength Analysis

Section 1 Strength Assessment

Section 2 Cargo Hold Structural Strength Analysis

Section 3 Local Structural Strength Analysis

Section 1 – Strength Assessment

1. General

1.1 Application

1.1.1

This chapter provides design basis and analysis methodology regarding the structural strength verification of the hull structure using finite element analysis under the applied loads. A flow diagram showing the minimum requirement of finite element analysis is shown in **Figure 1**.

1.1.2

The finite element analysis consists of three parts:

- Cargo hold analysis to assess the strength of longitudinal hull girder structural members, primary supporting structural members and bulkheads.
- Fine mesh analysis to assess detailed stress levels in local structural details.
- Very fine mesh analysis to assess the fatigue capacity of the structural details according to **Ch 9**.

1.1.3

Strength assessment based on finite element analysis is applicable for the cargo hold region including the transition areas to engine room and fore end structure. The analysis is to verify the following:

- Stress levels of structural analysis in accordance with **Ch 7, Sec 2** and **Ch 7, Sec 3** are within the acceptance criteria for yielding.
- Buckling capability of plates and stiffened panels are within the acceptance criteria for buckling defined in **Ch 8**.
- Fatigue capacity of structural details is within the acceptance criteria defined in **Ch 9**.

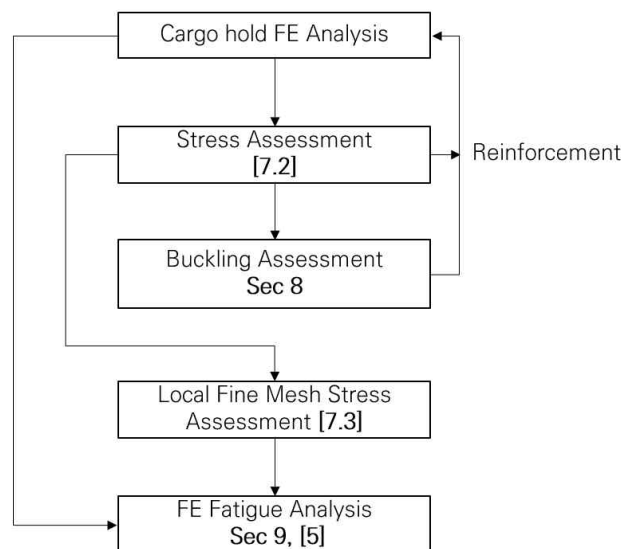


Figure 1 : Flow diagram of finite element analysis

1.1.4 Scantling application

FE models for cargo hold FE analyses, local fine mesh FE analysis and very fine mesh FE analyses, are to be based on corrosion addition as given in **Ch 3, Sec 2, Table 1**.

1.1.5 Scantling assessment

The scantling assessment is carried out for each individual cargo hold using the FE load combinations defined in **Sec 2** applicable to the considered cargo hold. The FE analysis results are applicable to the evaluation area as defined in **Sec 2, [5.1]**, of the considered cargo hold.

The individual bulkhead structural elements, inclusive plating, stiffeners and horizontal stringers, are to be assessed considering two cargo hold finite element analyses, i.e. the analysis for the hold forward and the one for the hold aft of the considered transverse bulkhead.

2. Finite element types

2.1 Used finite element types

2.1.1

The structural assessment is to be based on linear finite element analysis of three dimensional structural models. The general types of finite elements to be used in the finite element analysis are given in **Table 1**.

Table 1 : Types of finite element

| Type of finite element | Description |
|--------------------------|---|
| Rod (or truss) element | Line element with axial stiffness only and constant cross sectional area along the length of the element. |
| Beam element | Line element with axial, torsional and bi-directional shear and bending stiffness and with constant properties along the length of the element. |
| Shell (or plate) element | Shell element with in-plane stiffness and out-of-plane bending stiffness with constant thickness. |

2.1.2

Two node line elements and four node shell elements are, in general, considered sufficient for the representation of the hull structure. The mesh requirements given in this chapter are based on the assumption that these elements are used in the finite element models. However, higher order elements may also be used.

3. Submission of results

3.1 Detailed report

3.1.1

A detailed report of the structural analysis is to be submitted by the designer/builder to demonstrate compliance with the specified structural design criteria including the following information:

- a) List of structural drawings used including dates and versions.
- b) Detailed description of structural modelling including all modelling assumptions and any deviations in geometry and arrangement of structure compared with plans.
- c) Plots to demonstrate correct structural modelling and assigned properties.
- d) Details of material properties, plate thickness, beam properties used in the model.
- e) Details of applied boundary conditions.
- f) Details of all loading conditions reviewed with calculated hull girder shear force, bending moment and torsional moment distributions.

- g) Details of applied loads and confirmation that individual and total applied loads are correct.
- h) Plots and results that demonstrate the correct behaviour of the structural model under the applied loads.
- i) Summaries and plots of global and local deflections.
- j) Summaries and sufficient plots of stresses to demonstrate that the design criteria are not exceeded in any member.
- k) Plate and stiffened panel buckling analysis and results
- l) Proposed amendments to structure where necessary, including revised assessment of stresses, buckling and fatigue properties showing compliance with design criteria.
- m) Reference of the finite element computer program, including its version and date.

4. Computer programs

4.1 Use of computer programs

4.1.1

Any finite element computation program complying with **Ch 1, Sec 3** may be employed to determine the stress and deflection of the hull structure, provided that the combined effects of bending, shear, axial and torsional deformations are considered.

Section 2 – Cargo Hold Structural Strength Analysis

Symbols

For symbols not defined in this section, refer to **Ch 1, Sec 4**.

- M_{sw} : Permissible vertical still water bending moment, in kNm, as defined in **Ch 4, Sec 4**.
- M_{wv} : Vertical wave bending moment, in kNm, in hogging or sagging condition, as defined in **Ch 4, Sec 4**.
- M_{wh} : Horizontal wave bending moment, in kNm, as defined in **Ch 4, Sec 4**.
- M_{wt} : Wave torsional moment in seagoing condition, in kNm, as defined in **Ch 4, Sec 4**.
- Q_{sw} : Permissible still water shear force, in kN, at the considered bulkhead position, as provided in **Ch 4, Sec 4**.
- Q_{wv} : Vertical wave shear force, in kN, as defined in **Ch 4, Sec 4**.
- x_{b-aft}, x_{b-fwd} : X-coordinate, in m, of respectively the aft and forward bulkhead of the mid-hold.
- x_{aft} : X-coordinate, in m, of the aft end support of the FE model.
- x_{fore} : X-coordinate, in m, of the fore end support of the FE model.
- x_i : X-coordinate, in m, of web frame station i .
- Q_{aft} : Vertical shear force, in kN, at aft bulkhead of mid-hold as defined in **[4.4.6]**.
- Q_{fwd} : Vertical shear force, in kN, at fore bulkhead of mid-hold as defined in **[4.4.6]**.
- $Q_{targ-aft}$: Target shear force, in kN, at the aft bulkhead of mid-hold as defined in **[4.3.3]**.
- $Q_{targ-fwd}$: Target shear force, in kN, at the forward bulkhead of mid-hold as defined in **[4.3.3]**.

1. Objective and scope

1.1 General

1.1.1

The cargo hold structural strength analysis is for the assessment of structural strength of longitudinal hull girder structural members, primary supporting members and bulkheads within the cargo hold region including transition areas to engine room and fore end. This section describes the analysis methodology and load application for cargo hold structural strength analysis.

1.1.2

Cargo hold structural strength analysis is mandatory within the cargo hold region including cofferdam structure i.e. aft bulkhead of the aftmost cargo hold and fore bulkhead of the foremost cargo hold. The evaluation areas are defined in **[5.1]**.

1.1.3

For the FE structural assessment and load application, at least three cargo holds are to be assessed:

- a) Midship cargo hold region
- b) Foremost cargo hold
- c) Aftmost cargo hold

Holds in the midship cargo hold region are defined as holds with their longitudinal centre of gravity position at or forward of $0.3L$ from AE and at or aft of $0.7L$ from AE, as defined in **Figure 1**:

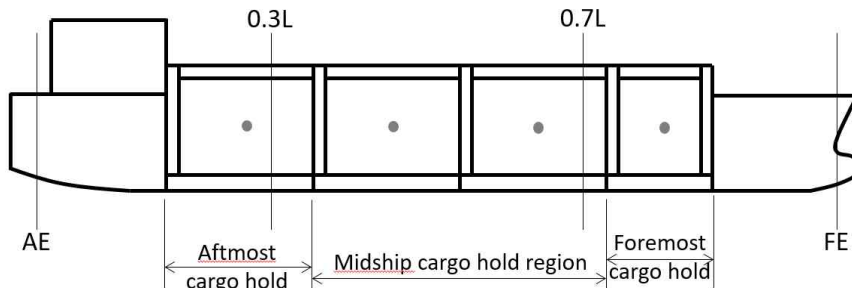


Figure 1 : Definition of cargo hold regions for FE structural assessment

1.2 Cargo hold structural strength analysis procedure

1.2.1 Procedure description

The structural FE analysis is to be performed in accordance with the following:

- a) Model: Three cargo hold model with:
 - Extent as given in [2.2]
 - Finite element types as given in [2.3]
 - Structural modelling as defined in [2.4]
- b) Boundary conditions as defined in [2.5]
- c) FE load combinations as defined in [3]
- d) Load application as defined in [4]
- e) Evaluation area as defined in [5.1]
- f) Strength assessment as defined in [5.2] and [5.3]

1.2.2 Mid-hold definition

For the purpose of the FE analysis, the mid-hold is defined as the middle hold(s) of the three cargo hold length FE model. In case of foremost and aftmost cargo hold assessment, the mid-hold represents the foremost and aftmost cargo hold respectively.

2. Structural model

2.1 Members to be modelled

2.1.1

All main longitudinal and transverse structural elements are to be modelled. These include:

- Inner and outer shell,
- Upper deck including trunk deck,
- Double bottom floors and girders,
- Transverse and vertical web frames,
- Liquid dome openings,
- Stringers and lower decks,
- Transverse and longitudinal bulkhead structures,

- Other primary supporting members,
- Other structural members which contribute to hull girder strength.

All plates and stiffeners on the structure, including web stiffeners, are to be modelled. Brackets which contribute to primary supporting member strength and the size of which is not less than the typical mesh size (s-by-s) described in [2.4.2], are to be modelled.

2.2 Extent of model

2.2.1 Longitudinal extent

Generally, the longitudinal extent of the cargo hold FE model is to cover three cargo hold lengths.

The foremost cargo hold model is to be extended from the after bulkhead of No.2 cargo hold to the ship's foremost cross section where the reinforced ring or web frame remains continuous from the base line to the strength deck.

The aftermost cargo hold model is to include the extent of 2 cargo holds and engine room including its aft bulkhead. Where a cofferdam is fitted at the end of the model, the cofferdam space is to be modelled with its transverse bulkheads. Where the inner deck and trunk deck are welded to the deckhouse, 2 web frames aftward of engine room bulkhead are to be modelled to represent the transitional area. Typical finite element models representing the midship cargo hold region is shown in **Figure 2**.

2.2.2 Hull form modelling

In general, the finite element model is to represent the geometry of the hull form. In the midship cargo hold region, the finite element model may be prismatic provided the mid-hold has a prismatic shape.

In the foremost cargo hold model, the hull form from one frame spacing forward of the transverse section at the middle of the fore part to the model end may be modelled with a simplified geometry. The transverse section at the middle of the fore part up to the model end may be extruded out to the fore model end. It is noted that the extruded area is to be outside the position of collision bulkhead.

In the aftmost cargo hold model, the hull form aft of the machinery space may be modelled with a simplified geometry. The section at the middle of the machinery space may be extruded out to its aft bulkhead.

When the hull form is modelled by extrusion, the geometrical properties of the transverse section located at the middle of the considered space are copied along the simplified model. The transverse web frames are to be considered along this extruded part with the same properties as ones in the fore part or in the machinery space.

2.2.3 Transverse extent

Both port and starboard sides of the ship are to be modelled.

2.2.4 Vertical extent

The full depth of the ship is to be modelled including primary supporting members above the upper deck, trunks and forecastle, if any.

The superstructure or deck house in way of the machinery space and the bulwark are not required to be included in the model. However, if the deckhouse has a direct welding connection with trunk deck or inner deck, the FE model needs to include the structure of one floor above the trunk deck with at least 2 web frames aftward from the connection position.

2.3 Finite element types

2.3.1

Shell elements are to be used to represent plates.

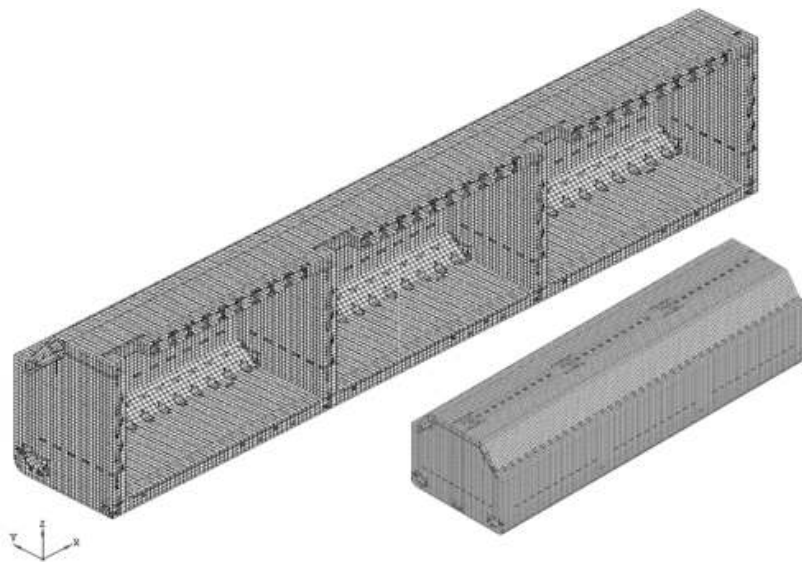


Figure 2 : Example of 3 cargo hold model within midship region

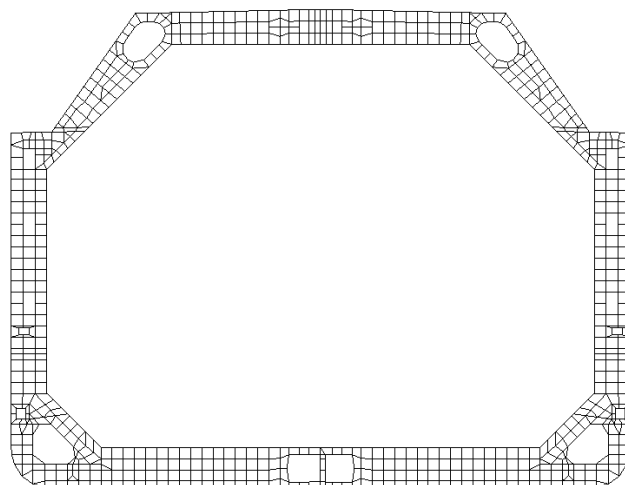


Figure 3 : Typical finite element mesh on web frame

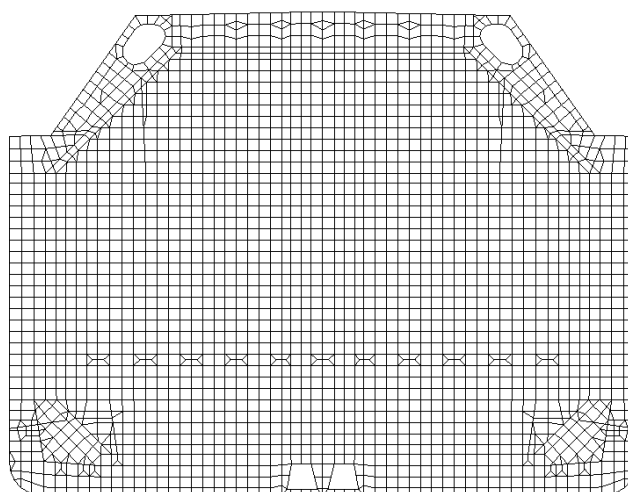


Figure 4 : Typical finite element mesh on transverse bulkhead

2.3.2

All stiffeners are to be modelled with beam elements having axial, torsional, bi-directional shear and bending stiffness. The eccentricity of the neutral axis is to be modelled.

2.3.3

Face plates of primary supporting members and brackets are to be modelled using rod or beam elements.

2.4 Structural modelling

2.4.1 Aspect ratio

The aspect ratio of the shell elements is in general not to exceed 3. The use of triangular shell elements is to be kept to a minimum. Where possible, the aspect ratio of shell elements in areas where there are likely to be high stresses or a high stress gradient is to be kept close to 1 and the use of triangular elements is to be avoided.

2.4.2 Mesh

The shell element mesh is to follow the stiffening system as far as practicable, hence representing the actual plate panels between stiffeners. In general, the shell element mesh is to satisfy the following requirements:

- a) One element between every longitudinal stiffener, see **Figure 3**. Longitudinally, the element length is not to be greater than 2 longitudinal spaces with a minimum of three elements between primary supporting members.
- b) One element between every stiffener on transverse bulkheads, see **Figure 4**.
- c) One element between every web stiffener on transverse and vertical web frames and stringers, see **Figure 3** and **Figure 5**. The mesh on the hopper tank web frame is to be fine enough to represent the shape of the web ring opening, as shown **Figure 3**.
- d) At least 3 elements over the depth of double bottom girders, floors, transverse web frames, vertical web frames and horizontal stringers on transverse bulkheads. For deck transverse and horizontal stringers on transverse wash bulkheads and longitudinal bulkheads with a smaller web depth, modelling using 2 elements over the depth is acceptable provided that there is at least 1 element between every web stiffener. The mesh size of adjacent structure is to be adjusted accordingly.
- e) The curvature of the free edge on large brackets of primary supporting members is to be modelled to avoid unrealistic high stress due to geometry discontinuities. In general, a mesh size equal to the stiffener spacing is acceptable. The bracket toe may be terminated at the nearest nodal point provided that the modelled length of the bracket arm does not exceed the actual bracket arm length. The bracket flange is not to be connected to the plating. The modelling of the tapering part of the flange is to be in accordance with **[2.4.6]**. A finer mesh is to be used for the determination of detailed stress at the bracket toe, as given in **Ch 7, Sec 3**.
- f) Example of mesh arrangements of the cargo hold structure are shown in **Figure 6**.

2.4.3 Finer mesh

Where the geometry cannot be adequately represented in the cargo hold model and the stress exceeds the cargo hold mesh acceptance criteria, a finer mesh may be used for such geometry to demonstrate satisfactory structural strength. The mesh size required for such analysis can be governed by the geometry. In such cases, the average stress within an area equivalent to that specified in **[2.4]** is to comply with the requirements given in **[5.2]**.

2.4.4 Sniped stiffener

Non continuous stiffeners are to be modelled as continuous stiffeners, i.e. the height web reduction in way of the snip ends are not to be modelled.

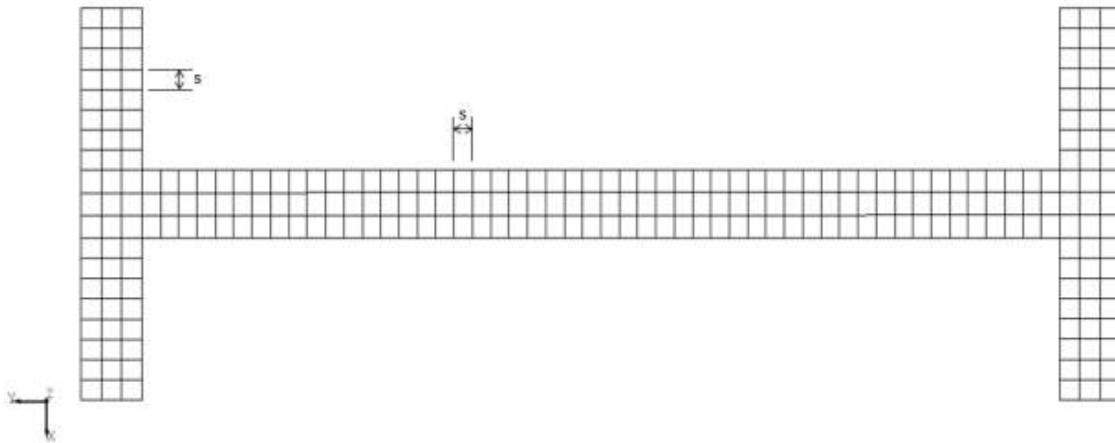


Figure 5 : Typical finite element mesh on horizontal transverse stringer on transverse bulkhead

2.4.5 Web stiffeners of primary supporting members

Web stiffeners of primary supporting members are to be modelled. Where these stiffeners are not in line with the primary FE mesh, it is sufficient to place the line element along the nearby nodal points provided that the adjusted distance does not exceed 0.2 times the stiffener spacing under consideration. The stresses and buckling utilisation factors obtained need not be corrected for the adjustment.

2.4.6 Face plate of primary supporting member

The effective cross sectional area at the curved part of the face plate of primary supporting members and brackets is to be calculated in accordance with **Ch 3, Sec 7**. The cross sectional area of a rod or beam element representing the tapering part of the face plate is to be based on the average cross sectional area of the face plate in way of the element length.

2.4.7 Openings

Regardless of size, manholes are to be modelled by removing the appropriate elements.

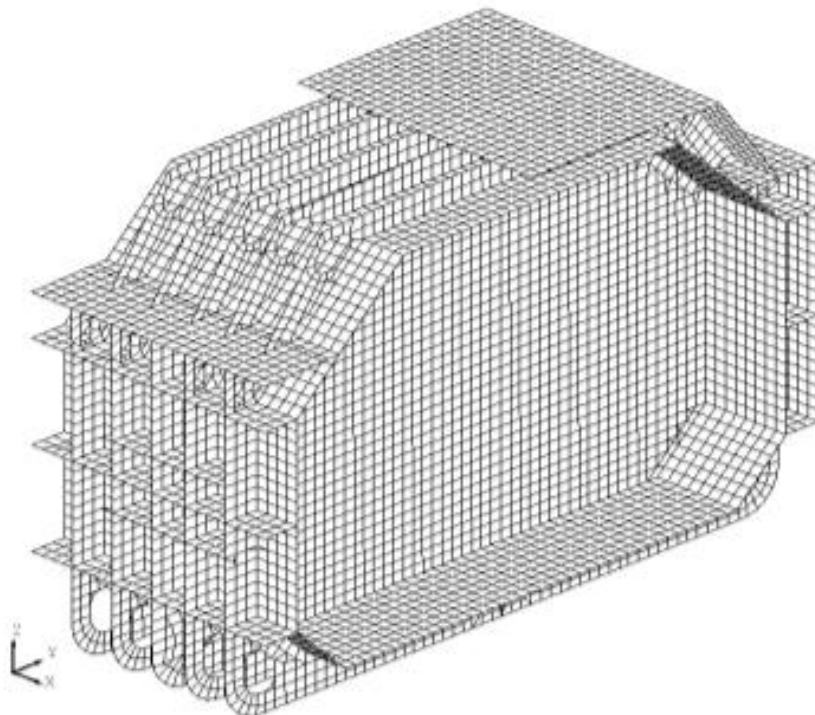


Figure 6 : Example of FE mesh arrangements of cargo hold structure in way of a BHD

2.5 Boundary conditions

2.5.1 General

All boundary conditions described in this section are in accordance with the global coordinate system defined in **Ch 4, Sec 1**. The boundary conditions given **[2.5.2]** are applicable to cargo hold finite element model analyses in cargo hold region.

2.5.2 Boundary Conditions

The rigid links connect the nodes on the longitudinal members at the model ends to an independent point at neutral axis in centreline. The boundary conditions to be applied at the ends of the mid-hold cargo hold FE model are given in **Table 1**. For the foremost and aftmost cargo hold analysis, the boundary conditions to be applied at the ends of the cargo hold model are given in **Table 2** and **Table 3** respectively. For the case of IGC pressure applied cases, additional boundary condition as given in **Table 4** is to be applied at the aftward and forward cofferdam bulkheads of middle hold in the model.

Table 1 : Boundary constraints at model ends for mid-hold cargo hold model

| Location | Translation | | | Rotation | | |
|---|-------------|------------|------------|-------------|------------|------------|
| | δ_x | δ_y | δ_z | θ_x | θ_y | θ_z |
| Aft End | | | | | | |
| Independent point | - | Fix | Fix | M_{T-end} | - | - |
| Cross Section | - | Rigid link | Rigid link | Rigid link | - | - |
| Fore End | | | | | | |
| Independent point | - | Fix | Fix | Fix | - | - |
| Intersection of centreline and inner bottom | Fix | - | - | - | - | - |
| Cross Section | - | Rigid link | Rigid link | Rigid link | - | - |
| Note 1: [-] means no constraint applied (free). | | | | | | |
| Note 2: See Figure 7 . | | | | | | |

Table 2 : Boundary constraints at model ends for foremost cargo hold model

| Location | Translation | | | Rotation | | |
|--|-------------|------------|------------|-------------|------------|------------|
| | δ_x | δ_y | δ_z | θ_x | θ_y | θ_z |
| Aft End | | | | | | |
| Independent point | Fix | - | - | Fix | Fix | Fix |
| Cross Section | Rigid link | - | - | Rigid link | Rigid link | Rigid link |
| Intersection of centerline and bottom, centerline and trunk deck | - | Fix | - | - | - | - |
| Line S | - | - | Fix | - | - | - |
| Fore End | | | | | | |
| Independent point | - | - | - | M_{T-end} | - | - |
| Cross Section | - | Rigid link | Rigid link | Rigid link | - | - |
| Note 3: [-] means no constraint applied (free). | | | | | | |
| Note 4: See Figure 8 . | | | | | | |

Table 3 : Boundary constraints at model ends for Aftmost cargo hold model

| Location | Translation | | | Rotation | | |
|---|-------------|------------|------------|-------------|------------|------------|
| | δ_x | δ_y | δ_z | θ_x | θ_y | θ_z |
| Fore End | | | | | | |
| Independent point | Fix | - | - | Fix | Fix | Fix |
| Cross Section | Rigid link | - | - | Rigid link | Rigid link | Rigid link |
| Intersection of centerline and bottom, centerline and trunk deck | - | Fix | - | - | - | - |
| Line S | - | - | Fix | - | - | - |
| Aft End | | | | | | |
| Independent point | - | - | - | M_{T-end} | - | - |
| Cross Section | - | Rigid link | Rigid link | Rigid link | - | - |

Note 5: [-] means no constraint applied (free).
 Note 6: See **Figure 8**.

Table 4 : Additional IGC boundary constraints at bulkhead sections for cargo hold model

| Location | Translation | | | Rotation | | |
|---|-------------|------------|------------|------------|------------|------------|
| | δ_x | δ_y | δ_z | θ_x | θ_y | θ_z |
| Aftward cofferdam bulkhead of Aft bulkhead in the middle hold | | | | | | |
| Line D, Line B | - | Fix | - | - | - | - |
| Forward cofferdam bulkhead of fore bulkhead in the middle hold | | | | | | |
| Line D, Line B | - | Fix | - | - | - | - |

Note 7: [-] means no constraint applied (free).
 Note 8: See **Figure 9**.

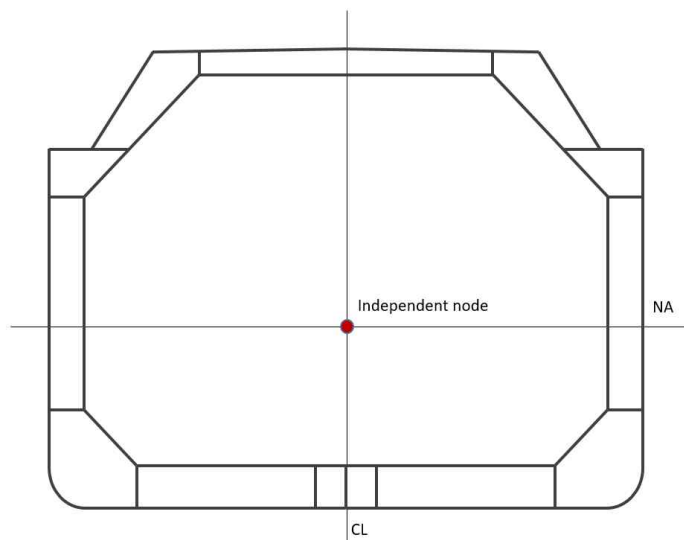


Figure 7 : Boundary conditions applied at the model end sections of Mid model

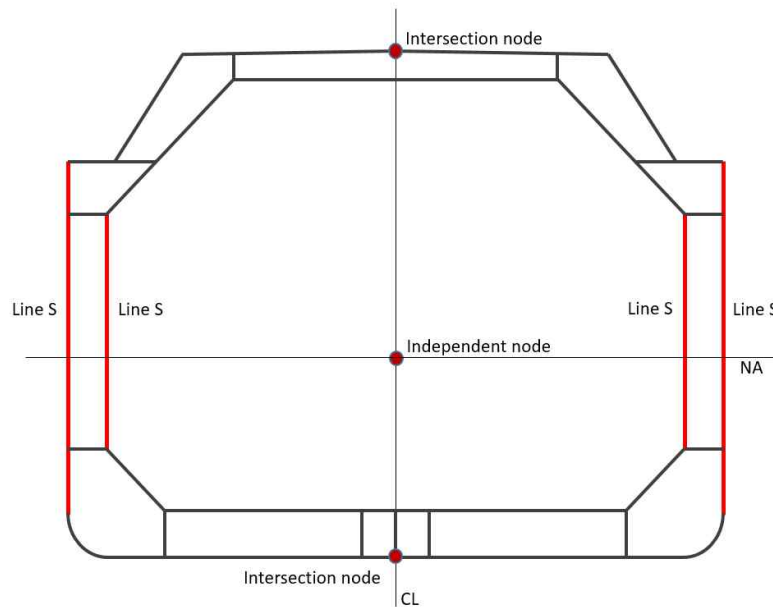


Figure 8 : Boundary conditions applied at the model end of aft end section in foremost hold, fore end section in aftmost hold respectively

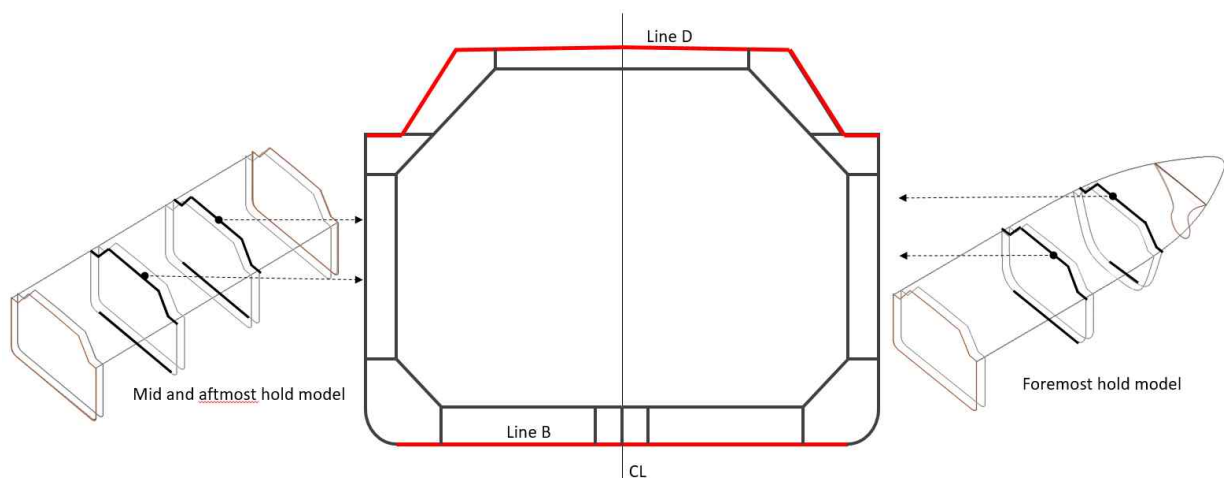


Figure 9 : Additional IGC Boundary conditions applied at the model

3. FE load combinations

3.1 Design load combinations

3.1.1 FE load combination definition

A FE load combination is defined as a loading pattern, a draught, a value of still water bending and shear force, associated with a given dynamic load case.

3.1.2 Loading conditions

Loading conditions to be considered for a strength assessment generally are as follow:

- a) Standard loading conditions for yielding and buckling strength assessment are given in [3.1.3].
- b) For fatigue assessment, standard designs are given in Ch 9, Sec 1.

3.1.3 Load combinations

For cargo hold structural strength analysis for midship holds, the design load combinations specified in **Table 5** are to be used as a minimum. For aftmost and foremost cargo hold structural strength analysis, the design load combinations specified respectively in **Table 6** and **7** are to be considered.

Each design load combination given in **Table 5 ~ 7** consists of a loading pattern and dynamic load cases as given in **Ch 4, Sec 2**. Each load combination requires the application of the structural weight, internal and external loads and hull girder loads. For seagoing condition, both static and dynamic load components (S+D) are applied.

The “maximum shear force load combinations” are marked as “Max SFLC” in the load combination tables of **Table 5 ~ 7**. The “other shear force load combinations” are those which are not the maximum shear force load combinations. They are not marked in the load combination tables of **Table 5 ~ 7**.

3.1.4 Additional loading conditions

Where the loading conditions specified by the designer are not covered by the load combinations given in **[3.1.3]**, these additional loading conditions are to be examined according to the procedure in **[4]**.

Table 5 : Standard loading conditions applicable to midship cargo hold region

| No | Loading Pattern | Draught | % of perm. SWBM | % of perm. SWSF | Dynamic load cases | Pressure by IGC (Pt 7, Ch 5, 428) |
|--|-----------------|------------------|-----------------|----------------------------|------------------------------------|--|
| Seagoing conditions | | | | | | |
| LM1 ²⁾ | | $0.7T_{SC}^{1)}$ | 0% Sagging | $\leq 100\%$ | HSM1 | N/A |
| | | | 100% Hogging | $\leq 100\%$ | HSM2, FSM2, BSR-2P, OST-1P, OST-2P | N/A |
| LM2 ²⁾ | | T_{SC} | 100% Sagging | $\leq 100\%$ | HSM1, BSP-2P, BSR-1P, OST-1P | N/A |
| | | | 30% Hogging | $\leq 100\%$ | HSM2, BSP-1P, BSR-2P, OST-2P | N/A |
| LM3 ²⁾ | | $0.8T_{SC}$ | 100% Sagging | 100% Max SFLC (aft-, fwd+) | HSM1 | N/A |
| | | | | $\leq 100\%$ | BSP-1P, BSP-2P | N/A |
| | | | 75% Hogging | $\leq 100\%$ | HSM2 | N/A |
| LM3-IGC | | $0.8T_{SC}^{3)}$ | $\leq 100\%$ | $\leq 100\%$ | N/A | α_β associated with Max P_{gd} at AP2 ⁴⁾ |
| LM4 ²⁾ | | $0.9T_{SC}$ | 70% Sagging | $\leq 100\%$ | HSM1 | N/A |
| | | | 60% Hogging | 100% Max SFLC (aft+, fwd-) | HSM2, FSM2 | N/A |
| | | | | $\leq 100\%$ | BSR-1P, BSR-2P | N/A |
| Accidental condition | | | | | | |
| LM5 | | T_{SC} | $\leq 100\%$ | $\leq 100\%$ | N/A | 0.5g forward Collision load + static pressure by gravity |
| Harbour conditions | | | | | | |
| LM6 | | $0.8T_{SC}$ | 100% Sagging | 100% Max SFLC (aft-, fwd+) | N/A | N/A |
| LM7 | | $0.9T_{SC}$ | 60% Hogging | 100% Max SFLC (aft+, fwd-) | N/A | N/A |
| <p>Note : 1) Draught needs not greater than the minimum ballast draught in the loading manual.</p> <p>2) For the ship with an asymmetrical structures, BSR-1S, BSR-2S, BSP-1S, BSP-2S, OST-1S and OST-2S shall be investigated additionally. For ships with symmetrical about the centerline, results of one side should be considered as same as the other side</p> <p>3) Hydrostatic external sea pressure with heel angle ϕ_β corresponding roll angle of α_β is applicable, but heel angle need not greater than 30°. Additional boundary condition is to be applied as shown Figure 9.</p> <p>4) When the internal pressure calculated according to Pt7, Ch 5, Sec 4 428 is used, P_{IGC} is calculated with $f_{IGC} = 0.8$ considering operational profile. In that case, acceptance criteria is AC-A.</p> <p>If other alternative pressure is used, f_{IGC} is not applicable and acceptance criteria is AC-SD.</p> | | | | | | |

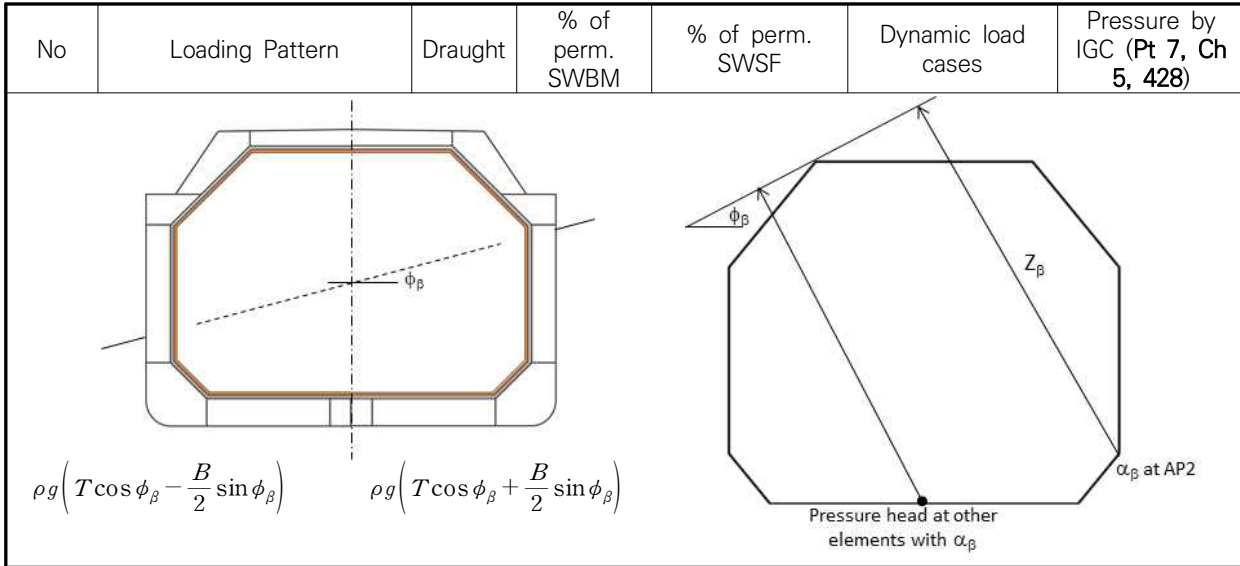
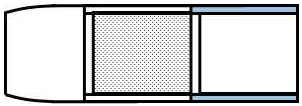
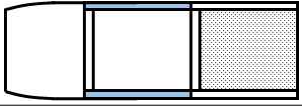
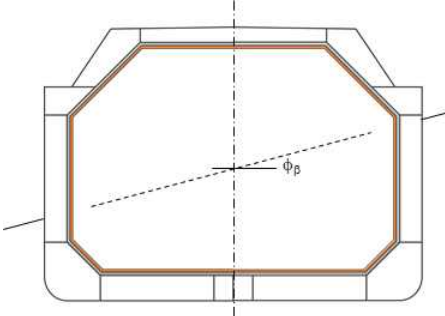


Table 6 : Standard loading conditions applicable to aftmost cargo hold region

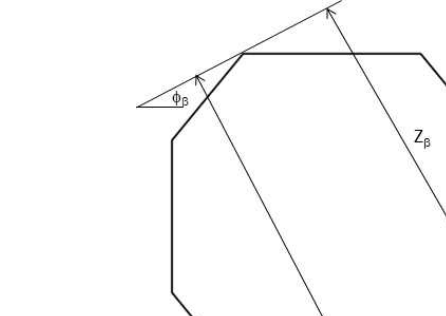
| No | Loading Pattern | Draught | % of perm. SWBM | % of perm. SWSF | Dynamic load cases | Pressure by IGC (Pt 7, Ch 5, 428) |
|----------------------|-----------------|-------------------|-----------------|---------------------|--|---|
| Seagoing conditions | | | | | | |
| LA1 ²⁾ | | $0.7T_{SC}^{1)}$ | 0% Sagging | $\leq 100\%$ | HSM1 | N/A |
| | | | 100% Hogging | $\leq 100\%$ | HSM2, FSM2, OST-1P, OST-2P | N/A |
| LA2 ²⁾ | | T_{SC} | 100% Sagging | $\leq 100\%$ | HSM1, FSM1, BSP-1P, BSP-2P, BSR-1P, BSR-2P, OST-1P, OST-2P | N/A |
| | | | 40% Hogging | $\leq 100\%$ | HSM2 | N/A |
| LA3 | | $0.85T_{SC}$ | 0% Sagging | 100% Max SFLC(Aft-) | HSM1 | N/A |
| | | | 60% Hogging | 100% Max SFLC(fwd+) | HSM2 | N/A |
| LA3-IGC | | $0.85T_{SC}^{3)}$ | $\leq 100\%$ | $\leq 100\%$ | N/A | α_β associated with Max P_{gd} at AP2 ⁴⁾ |
| LA4 ⁵⁾ | | $0.85T_{SC}$ | 30% Sagging | 100% Max SFLC(Fwd-) | HSM1 | N/A |
| | | | 70% Hogging | 100% Max SFLC(Aft+) | HSM2 | N/A |
| Accidental condition | | | | | | |
| LA5 | | T_{SC} | $\leq 100\%$ | $\leq 100\%$ | N/A | Collision load with aftward 0.25g acceleration + static pressure by gravity |
| Harbour condition | | | | | | |

| No | Loading Pattern | Draught | % of perm. SWBM | % of perm. SWSF | Dynamic load cases | Acceleration by IGC(Pt 7, Ch 5, 428) |
|-----|---|--------------|-----------------|---------------------|--------------------|--------------------------------------|
| LA6 |  | $0.85T_{SC}$ | 30% Sagging | 100% Max SFLC(aft-) | N/A | N/A |
| LA7 |  | $0.85T_{SC}$ | 70% Hogging | 100% Max SFLC(Aft+) | N/A | N/A |

Note : 1) Draught needs not greater than the minimum ballast draught in the loading manual.
 2) For the ship with an asymmetrical structures, BSR-1S, BSR-2S, BSP-1S, BSP-2S, OST-1S and OST-2S shall be investigated additionally. For ships with symmetrical about the centerline, results of one side should be considered as same as the other side
 3) Hydrostatic external sea pressure with heel angle ϕ_β corresponding roll angle of α_β is applicable, but heel angle need not greater than 30°. Additional boundary condition is to be applied as shown Figure 9.
 4) When the internal pressure calculated according to Pt7, Ch 5, Sec 4 428 is used, P_{IGC} is calculated with $f_{IGC} = 0.8$ considering operational profile. In that case, acceptance criteria is AC-A. If other alternative pressure is used, f_{IGC} is not applicable and acceptance criteria is AC-SD.
 5) 100% filling of tanks in E/R



$$\rho g \left(T \cos \phi_\beta - \frac{B}{2} \sin \phi_\beta \right)$$



$$\rho g \left(T \cos \phi_\beta + \frac{B}{2} \sin \phi_\beta \right)$$

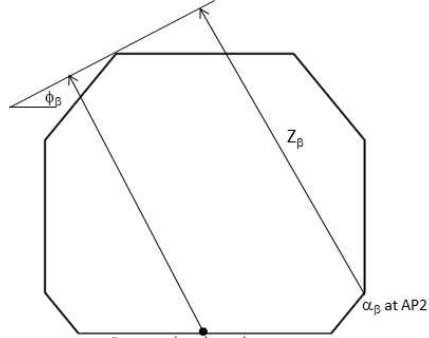
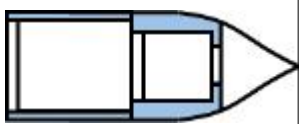
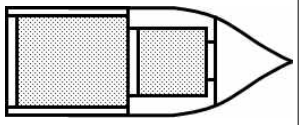
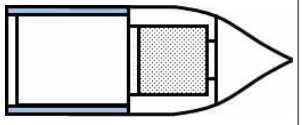


Table 7 : Standard loading conditions applicable to foremost cargo hold region

| No | Loading Pattern | Draught | % of perm. SWBM | % of perm. SWSF | Dynamic load cases | Acceleration by IGC(Pt 7, Ch 5, 428) |
|---------------------|---|------------------|-----------------|---------------------|--|--------------------------------------|
| Seagoing conditions | | | | | | |
| LF1 ²⁾ |  | $0.7T_{SC}^{1)}$ | 0% Sagging | $\leq 100\%$ | HSM1, BSR-2P, OSA-2P | N/A |
| | | | 100% Hogging | $\leq 100\%$ | HSM2, FSM2, BSR-1P, OST-1P, OST-2P, OSA-1P | N/A |
| LF2 ²⁾ |  | T_{SC} | 100% Sagging | $\leq 100\%$ | HSM1, FSM1, BSP-1P, BSP-2P, BSR-1P, BSR-2P, OST-1P, OST-2P | N/A |
| | | | 30% Hogging | $\leq 100\%$ | HSM2 | N/A |
| LF3 |  | $0.85T_{SC}$ | 60% Sagging | $\leq 100\%$ | HSM1 | N/A |
| | | | 100% Hogging | 100% Max SFLC(Aft-) | HSM2 | N/A |

| No | Loading Pattern | Draught | % of perm. SWBM | % of perm. SWSF | Dynamic load cases | Acceleration by IGC(Pt 7, Ch 5, 428) |
|--|-----------------|---|-----------------|---|--------------------|---|
| LF3-IGC | | $0.85T_{SC}^{3)}$ | $\leq 100\%$ | $\leq 100\%$ | N/A | α_β associated with Max P_{gd} at AP1 ⁴⁾ |
| LF4 ⁵⁾ | | $0.9 T_{SC}$ | 100% Sagging | 100% Max SFLC(Aft+) | HSM1 | N/A |
| | | | 50% Hogging | 100% Max SFLC(Aft-) | HSM2 | N/A |
| Accidental condition | | | | | | |
| LF5 | | T_{SC} | $\leq 100\%$ | $\leq 100\%$ | N/A | Collision load with forward 0.5g acceleration + static pressure by gravity |
| Harbour condition | | | | | | |
| LF6 | | $0.85T_{SC}$ | 60% Sagging | 100% Max SFLC (Fwd+) | N/A | N/A |
| LF7 | | $0.9 T_{SC}$ | 50% Hogging | 100% Max SFLC(Aft-) | N/A | N/A |
| <p>Note : 1) Draught needs not greater than the minimum ballast draught in the loading manual.</p> <p>2) For the ship with an asymmetrical structures, BSR-1S, BSR-2S, BSP-1S, BSP-2S, OST-1S and OST-2S shall be investigated additionally. For ships with symmetrical about the centerline, results of one side should be considered as same as the other side</p> <p>3) Hydrostatic external sea pressure with heel angle ϕ_β corresponding roll angle of α_β is applicable, but heel angle need not greater than 30°. Additional boundary condition is to be applied as shown Figure 9.</p> <p>4) When the internal pressure calculated according to Pt7, Ch 5, Sec 4 428 is used, P_{IGC} is calculated with $f_{IGC} = 0.8$ considering operational profile. In that case, acceptance criteria is AC-A. If other alternative pressure is used, f_{IGC} is not applicable and acceptance criteria is AC-SD.</p> <p>5) 100% filling of tanks in fore end structure outside of cargo hold region</p> | | | | | | |
| | | | | | | |
| | | $\rho g \left(T \cos \phi_\beta - \frac{B}{2} \sin \phi_\beta \right)$ | | $\rho g \left(T \cos \phi_\beta + \frac{B}{2} \sin \phi_\beta \right)$ | | <p>Pressure head at other elements with α_β</p> <p>α_β at AP1</p> |

4. Load application

4.1 General

4.1.1 Structural weight

Effect of the weight of hull structure is to be included in static loads, but is not to be included in dynamic loads. Density of steel is to be taken as given in **Ch 4, Sec 6**.

4.1.2 Sign convention

Unless otherwise mentioned in this Section, the sign of moments and shear force is to be in accordance with the sign convention defined in **Ch 4, Sec 1**.

4.2 External and internal loads

4.2.1 External pressure

External pressure is to be calculated for each load case in accordance with **Ch 4, Sec 5**. External pressures include static sea pressure, wave pressure and green sea pressure.

In case of internal pressure by IGC Code application, the hydrostatic pressure with corresponding roll angle, which is given such that the maximum pressure is obtained at a given location in **Table 5 ~ 7**, is to be combined. In that load case, any dynamic load case is to be excluded.

The effect of the liquid dome cover and pump tower self weight is to be ignored in the loads applied to the ship structure.

4.2.2 Internal pressure

Internal loads are to be calculated for each load case in accordance with **Ch 4, Sec 6** for design load scenarios given in **Ch 4, Sec 7, Table 1**. They include static ballast and other liquid pressure, setting pressure on relief valve and dynamic load of ballast and other liquid pressure due to acceleration.

The cargo design vapour pressure, which is to be not less than 0.025 MPa, shall be considered as a static load in all loaded cargo tanks of seagoing condition.

When the internal cargo pressure by IGC Code is applied, it shall be calculated in accordance with **Pt7, Ch 5, Sec 4 428**. It is also acceptable to calculate the dynamic pressure using the accelerations derived from other method for alternative design. In that case, the reduction factor f_{IGC} shall not be applicable.

4.2.3 Cargo density

Maximum cargo density is generally taken as not less than 0.5 t/m³. To take into account of the volume difference between 1st barrier and inner hull, the cargo density may be used as adjusted below,

$$\rho_{c_{adjusted}} = \rho_c \frac{V_C}{V_{Hull}} + \rho_{CCS} \frac{(V_{Hull} - V_C)}{V_{Hull}}$$

where:

V_C : Volume of cargo tank enclosed by primary barrier of cargo containment system in m³

V_{Hull} : Volume of cargo hold enclosed by inner hull structure in m³

ρ_{CCS} : Density of cargo containment system in t/m³, generally 0.12 can be used.

And, effective cargo density may be adjusted to consider the maximum filling height as below,

$$\rho_{c_{eff}} = \rho_{c_{adjusted}} \frac{M_{Max\ filling\ \% \ by\ \rho_{Max-LM}}}{M_{100\% \ by\ \rho_c}}$$

where:

$M_{Max\ filling\ \% \ by\ \rho_{Max-LM}}$: Cargo Mass of a hold when filled to maximum level(%) with design cargo density in Loading manual

$M_{100\%by\rho_c}$: Cargo Mass of a hold when filled to 100% with $\rho_c = 0.5 \text{ t/m}^3$

$\rho_{c_{eff}}$: Effective cargo density for internal loads in FE analysis (t/m^3)

4.2.4 Pressure application on FE element

Constant pressure, calculated at the element's centroid, is applied to the shell element of the loaded surfaces, e.g. outer shell and deck for external pressure and tank/hold boundaries for internal pressure. Alternately, pressure can be calculated at element nodes applying linear pressure distribution within elements.

4.3 Hull girder loads

4.3.1 General

Each loading condition is to be associated with its corresponding hull girder loads which is to be applied to the model according to the procedure described in [4.4] for shear force and bending moment and in [4.5] for torsional moment. The hull girder loads are the combinations of still water hull girder loads and wave induced hull girder loads as specified in Table 5 ~ 7. For each required FE load combination, the wave induced hull girder loads are to be calculated with the Load Combination Factors (LCFs), specified in Ch 4, Sec 2.

4.3.2 Target hull girder vertical bending moment

The target hull girder vertical bending moment, M_{v-targ} , in kNm, at a longitudinal position for a given FE load combination is taken as:

$$M_{v-targ} = C_{BM-LC} M_{sw} + M_{wv-LC}$$

where:

C_{BM-LC} : Percentage of permissible still water bending moment applied for the load combination under consideration as given in [3.1.2].

M_{sw} : Permissible still water bending moments in kNm, at the considered longitudinal position for seagoing as defined in Ch 4, Sec 4, [2.2.1] and Ch 4, Sec 4, [2.2.2] respectively.

M_{wv-LC} : Vertical wave bending moment in kNm, for the dynamic load case under consideration, calculated in accordance with Ch 4, Sec 4, [3.5.2].

When the dynamic load cases are not applied, the target hull girder vertical bending moment is taken with $M_{wv-LC} = 0$.

The values of M_{v-targ} are taken as:

- Midship cargo hold region: the maximum hull girder bending moment within the mid-hold(s) for each individual cargo hold for each given FE load combination as defined in Table 5.
- Outside midship cargo hold region: the values at all web frame and transverse bulkhead positions of the FE model under consideration

4.3.3 Target hull girder shear force

The target hull girder vertical shear force at the aft and forward transverse bulkheads of the mid-hold, $Q_{targ-aft}$ and $Q_{targ-fwd}$, in kN, for a given FE load combination is taken as:

- $Q_{fwd} \geq Q_{aft}$:
 $Q_{targ-aft} = C_{SF-LC} \cdot Q_{sw-neg} + f_{\beta} |C_{QW}| Q_{wv-neg}$
 $Q_{targ-fwd} = C_{SF-LC} \cdot Q_{sw-pos} + f_{\beta} |C_{QW}| Q_{wv-pos}$
- $Q_{fwd} < Q_{aft}$:
 $Q_{targ-aft} = C_{SF-LC} \cdot Q_{sw-pos} + f_{\beta} |C_{QW}| Q_{wv-pos}$
 $Q_{targ-fwd} = C_{SF-LC} \cdot Q_{sw-neg} + f_{\beta} |C_{QW}| Q_{wv-neg}$

where:

Q_{fwd}, Q_{aft} : Vertical shear forces, in kN, due to the local loads respectively at the forward and aft bulkhead position of the mid-hold, as defined in [4.4.6].

C_{SF-LC} : Percentage of permissible still water shear force as given in [3.1], for the FE load combination under consideration.

Q_{sw-pos}, Q_{sw-neg} : Positive and negative permissible still water shear forces, in kN, at any longitudinal position for seagoing as defined in Ch 4, Sec 4, [2.3.1] and Ch 4, Sec 4, [2.3.2] respectively.

f_{β} : Wave heading factor, as given in Ch 4, Sec 4.

C_{QW} : Load combination factor for vertical wave shear force, as given in Ch 4, Sec 2.

Q_{wv-pos}, Q_{wv-neg} : Positive and negative vertical wave shear force, in kN, as defined in Ch 4, Sec 4, [3.2.1].

The values of $Q_{targ-aft}$ and $Q_{targ-fwd}$ are to be taken at after and forward transverse bulkheads of the mid-hold under consideration. Where the dynamic load cases are not applied, which have additional boundary condition of Table 4, the target hull girder vertical shear force is taken with $C_{QW}=0$.

And, the target hull girder vertical shear force for the analysis models with the boundary condition of Table 2 or Table 3, is taken as:

- $Q_{fwd} > Q_{aft} > 0$:
 $Q_{targ-fwd} = C_{SF-LC} \cdot Q_{sw-pos} + f_{\beta} |C_{QW}| Q_{wv-pos}$
 $Q_{targ-aft} = C_{SF-LC} \cdot Q_{sw-pos} + f_{\beta} |C_{QW}| Q_{wv-pos}$
- $Q_{fwd} \leq Q_{aft} \leq 0$:
 $Q_{targ-fwd} = C_{SF-LC} \cdot Q_{sw-neg} + f_{\beta} |C_{QW}| Q_{wv-neg}$
 $Q_{targ-aft} = C_{SF-LC} \cdot Q_{sw-neg} + f_{\beta} |C_{QW}| Q_{wv-neg}$

Additional hull girder vertical shear force at the model end with the boundary condition of Table 2 or Table 3, F_{design} in kN, is taken as:

- $R_{fix} < 0$
 $F_{design} = C_{SF-LC} \cdot Q_{sw-neg} + f_{\beta} |C_{QW}| Q_{wv-neg}$
- $R_{fix} \geq 0$
 $F_{design} = C_{SF-LC} \cdot Q_{sw-pos} + f_{\beta} |C_{QW}| Q_{wv-pos}$

When a target position is specified in Table 5 ~ 7, the target hull girder vertical shear force is taken as:

- aft+ :
 $Q_{targ-aft} = C_{SF-LC} \cdot Q_{sw-pos} + f_{\beta} |C_{QW}| Q_{wv-pos}$
- aft- :
 $Q_{targ-aft} = C_{SF-LC} \cdot Q_{sw-neg} + f_{\beta} |C_{QW}| Q_{wv-neg}$
- fwd+ :
 $Q_{targ-fwd} = C_{SF-LC} \cdot Q_{sw-pos} + f_{\beta} |C_{QW}| Q_{wv-pos}$
- fwd- :
 $Q_{targ-fwd} = C_{SF-LC} \cdot Q_{sw-neg} + f_{\beta} |C_{QW}| Q_{wv-neg}$

where, F_{design} , and R_{fix} are defined in [4.4.8].

4.3.4 Target hull girder horizontal bending moment

The target hull girder horizontal bending moment, M_{h-targ} , in kNm, for a given FE load combination is taken as:

$$M_{h-targ} = M_{wh-LC}$$

where:

M_{wh-LC} : Horizontal wave bending moment, in kNm, for the dynamic load case under consideration, calculated in accordance with Ch 4, Sec 4, [3.5.4].

The values of M_{wh-LC} are taken as:

- Midship cargo hold region: the value calculated for the middle of the individual cargo hold under consideration.
- Outside midship cargo hold region: the values at all web frame and transverse bulkhead positions of the FE model under consideration.

4.3.5 Target hull girder torsional moment

The target hull girder torsional moment, $M_{wt-targ}$ in kNm, for the dynamic load cases OST and OSA is the value at the target location taken as:

$$M_{wt-targ} = M_{wt-LC}(x_{targ})$$

where:

$M_{wt-LC}(x)$: Wave torsional moment, in kNm, for the dynamic load case OST and OSA, calculated at x position in accordance with **Ch 4, Sec 4, [3.5.5]**.

x_{targ} : Target location for hull girder torsional moment taken as:

- Midship cargo hold region:
 - If $x_{mid} \leq 0.531L$: after bulkhead of the mid-hold
 - If $x_{mid} > 0.531L$: forward bulkhead of the mid-hold
- Outside midship cargo hold region:
 - After transverse bulkhead of mid-hold

For dynamic load cases other than OST and OSA, hull girder torsional moment $M_{wt-targ}$, at the middle of the mid-hold is to be adjusted to zero.

4.4 Procedure to adjust hull girder shear forces and bending moments

4.4.1 General

The procedure given in this sub-article [4.4] describes how to adjust the hull girder horizontal bending moment, vertical force and vertical bending moment distribution on the three cargo hold FE model to achieve the required target values at required locations. The hull girder load target values are specified in [4.3].

The target locations for hull girder shear force are at the transverse bulkheads of the mid-hold. The final adjusted hull girder shear force at the target location should not exceed the target hull girder shear force.

The target location for hull girder bending moment is, in general, located at the centre of the mid-hold. If the maximum value of bending moment is not located at the centre of the mid-hold, the final adjusted maximum bending moment within the mid-hold is not to exceed the target hull girder bending moment.

4.4.2 Local load distribution

The following local loads are to be applied for the calculation of hull girder shear and bending moments:

- a) Ship structural steel weight distribution over the length of the cargo hold model (static loads). The structural steel weight is to be calculated based on the FE model with an gross offered thickness, as used in the cargo hold FE model.
- b) Weight of cargo, ballast and other liquid in relevant tanks (static loads).
- c) Static sea pressure, dynamic wave pressure and, where applicable, green sea load. For the tank testing and flooding load cases, only static sea pressure needs to be applied.
- d) Dynamic cargo, ballast and other liquid loads in relevant tanks for seagoing load cases.

With the above local loads applied to the FE model, the FE nodal forces are obtained through FE loading procedure. The 3D nodal forces will then be lumped to each longitudinal station to generate the one dimension local load distribution. The longitudinal stations are located at transverse bulkheads/frames and typical longitudinal FE model nodal locations in between the frames according to the cargo hold model mesh size requirement. Any intermediate nodes created for modelling structural details are not treated as the longitudinal stations for the purpose of local load distribution.

The nodal forces within half of forward and half of afterward of longitudinal station spacing are lumped to that station. The lumping process will be done for vertical and horizontal nodal forces separately to obtain the lumped vertical and horizontal local loads, f_{vi} and f_{hi} , at the longitudinal station i .

4.4.3 Hull girder forces and bending moment due to local loads

With the local load distribution, the hull girder load longitudinal distributions are obtained by assuming that the model is simply supported at model ends for Midship, and fixed at aft model end for foremost cargo hold and at fore model end for aftmost cargo hold model.

The reaction forces at both ends of the model and longitudinal distributions of hull girder shear forces and bending moments induced by local loads at any longitudinal station are determined by the formulae in Table 8 depending on the assumption of boundary conditions.

It should be noted that there is no need to calculate horizontal bending moment distribution by local loads when the boundary condition specified in Table 4 is applied.

4.4.4 Longitudinal unbalanced force

In case total longitudinal force of Midship cargo region, F_i , is not equal to zero, the counter longitudinal force, $(F_x)_j$, is to be applied at one end of the model, where the translation on X-direction, δ_x , is fixed, by distributing longitudinal axial nodal forces to all hull girder bending effective longitudinal elements, as follows:

$$(F_x)_j = \frac{F_i}{A_x} \frac{A_j}{n_j}$$

where:

- $(F_x)_j$: Axial force applied to a node of the j-th element, in kN.
- F_l : Total longitudinal force of the model, as defined in [4.4.3], in kN.
- A_j : Cross sectional area of the j-th element, in m².
- A_x : Cross sectional area of fore end section, in m²,
- $$A_x = \sum_j A_j$$
- n_j : Number of nodal points of j-th element on the cross section, $n_j = 1$ for beam element, $n_j = 2$ for 4-node shell element.

Table 8 : Hull girder loads due to local loads

| Component | Midship cargo hold model | Foremost / Aftmost cargo hold model |
|--|--|--|
| Reaction | $R_{V_fore} = -\frac{\sum_i (x_i - x_{aft}) f_{vi}}{x_{fore} - x_{aft}}$ | $R_{V_fore} = 0$ for foremost, $R_{V_fore} = -\sum_i f_{vi}$ for aftmost |
| | $R_{V_aft} = \sum_i f_{vi} + R_{V_fore}$ | $R_{V_aft} = \sum_i f_{vi}$ for foremost, $R_{V_aft} = 0$ for aftmost |
| | $R_{H_fore} = \frac{\sum_i (x_i - x_{aft}) f_{hi}}{x_{fore} - x_{aft}}$ | $R_{H_fore} = 0$ for foremost, $R_{H_fore} = \sum_i f_{hi}$ for aftmost |
| | $R_{H_aft} = -\sum_i f_{hi} + R_{H_fore}$ | $R_{H_aft} = -\sum_i f_{hi}$ for foremost, $R_{H_aft} = 0$ for aftmost |
| | $F_l = \sum_i f_{li}$ | - |
| Shear force | $Q_{V_FEM}(x_j) = R_{V_aft} - \sum_i f_{vi} \text{ when } x_i < x_j$ | for foremost, $Q_{V_FEM}(x_j) = \sum_i f_{vi}$ when $x_i > x_j$ for aftmost, $Q_{V_FEM}(x_j) = -\sum_i f_{vi}$ when $x_i < x_j$ |
| | $Q_{H_FEM}(x_j) = R_{H_aft} + \sum_i f_{hi} \text{ when } x_i < x_j$ | for foremost, $Q_{H_FEM}(x_j) = -\sum_i f_{hi}$ when $x_i > x_j$ for aftmost, $Q_{H_FEM}(x_j) = \sum_i f_{hi}$ when $x_i < x_j$ |
| Bending moment | $M_{V_FEM}(x_j) = (x_j - x_{aft}) R_{V_aft} - \sum_i (x_j - x_i) f_{vi} \text{ when } x_i < x_j$ | for foremost, $M_{V_FEM}(x_j) = \sum_i (x_i - x_j) f_{vi}$ when $x_i > x_j$ for aftmost, $M_{V_FEM}(x_j) = -\sum_i (x_j - x_i) f_{vi}$ when $x_i < x_j$ |
| | $M_{H_FEM}(x_j) = (x_j - x_{aft}) R_{H_aft} + \sum_i (x_j - x_i) f_{hi} \text{ when } x_i < x_j$ | for foremost, $M_{H_FEM}(x_j) = -\sum_i (x_i - x_j) f_{hi}$ when $x_i > x_j$ for aftmost, $M_{H_FEM}(x_j) = \sum_i (x_j - x_i) f_{hi}$ when $x_i < x_j$ |
| <p>where:</p> <p>$R_{V_aft}, R_{V_fore}, R_{H_aft}, R_{H_fore}$: Vertical and horizontal reaction forces at the aft and fore ends, in kN.</p> <p>x_{aft} : X-coordinate of the aft end support, in m.</p> <p>x_{fore} : X-coordinate of the fore end support, in m.</p> <p>f_{vi} : Lumped vertical local load at longitudinal station i as defined in [4.4.2], in kN.</p> <p>f_{hi} : Lumped horizontal local load at longitudinal station i as defined in [4.4.2], in kN.</p> <p>F_l : Total longitudinal force of the model, in kN.</p> <p>f_{li} : Lumped longitudinal local load at longitudinal station i as defined in [4.4.2], in kN.</p> <p>x_j : X-coordinate, in m, of considered longitudinal station j.</p> <p>x_i : X-coordinate, in m, of longitudinal station i.</p> <p>$Q_{V_FEM}(x_j), Q_{H_FEM}(x_j), M_{V_FEM}(x_j), M_{H_FEM}(x_j)$: Vertical and horizontal shear forces, in kN, and bending moments, in kNm, at longitudinal station x_j created by the local loads applied on the FE model. The sign convention for reaction forces is that a positive creates a positive shear force.</p> | | |

4.4.5 Hull girder shear force adjustment procedure

The hull girder shear force adjustment procedure defined in this requirement applies to all FE load combinations given in **Table 5 ~ 7**. The FE load combinations not directly covered by the load combination tables of **[3.1]** are to be considered on a case by case basis.

The two following methods are to be used for the shear force adjustment:

- Method 1 (M1): for shear force adjustment at one bulkhead of the mid-hold as given in **[4.4.6]** when the boundary condition of **Table 1** is applied,
- Method 2 (M2): for shear force adjustment at both bulkheads of the mid-hold as given in **[4.4.7]** when the boundary condition of **Table 1** is applied,
- Method 3 (M3): for shear force adjustment at bulkhead(s) of the model as given in **[4.4.8]** when the boundary condition of **Table 2** or **Table 3** is applied.

For the considered FE load combination, the method to be applied only for midship cargo hold is to be selected as follows:

- For maximum shear force load combination (Max SFLC), the method 1 applies at the bulkhead mentioned in **Table 9** if the shear force after the adjustment with method 1 at the other bulkhead does not exceed the target value. Otherwise, the method 2 applies.
- The shear force adjustment is not requested when the shear forces at both bulkheads are lower or equal to the target values.
- The method 1 applies when the shear force exceeds the target at one bulkhead and the shear force at the other bulkhead after the adjustment with method 1 does not exceed the target value. Otherwise the method 2 applies,
- The method 2 applies when the shear forces at both bulkheads exceed the target values, or two target positions are specified in **Table 5**.

The method to be applied for foremost and aftmost cargo hold with the boundary condition of **Table 2** or **Table 3** is to be selected as the method 3.

- For maximum shear force load combination (Max SFLC), the method 3 applies at the bulkhead mentioned in **Table 9** according to **[4.4.8]**. And, when the hull girder vertical shear force induced by local loads exceeds the target value at one or two bulkheads, the method 3 applies too.
- The shear force adjustment is not requested when the shear forces at both bulkheads are lower or equal to the target values generally.

Table 9 : Mid-hold bulkhead location for shear force adjustment

| Design Loading conditions | Bulkhead location | M_{wv-LC} | Condition on Q_{aft} | Mid-hold bulkhead for SF adjustment |
|---|--|---------------|------------------------|-------------------------------------|
| Seagoing conditions | $x_{b-aft} > 0.5L$, foremost cargo hold | < 0 (sagging) | $Q_{fwd} > Q_{aft}$ | Fwd |
| | | | $Q_{fwd} \leq Q_{aft}$ | Aft |
| | | > 0 (hogging) | $Q_{fwd} > Q_{aft}$ | Aft |
| | | | $Q_{fwd} \leq Q_{aft}$ | Fwd |
| | $x_{b-fwd} < 0.5L$, aftmost cargo hold | < 0 (sagging) | $Q_{fwd} > Q_{aft}$ | Aft |
| | | | $Q_{fwd} \leq Q_{aft}$ | Fwd |
| | | > 0 (hogging) | $Q_{fwd} > Q_{aft}$ | Fwd |
| | | | $Q_{fwd} \leq Q_{aft}$ | Aft |
| $x_{b-aft} \leq 0.5L$ and $x_{b-fwd} \geq 0.5L$ | - | - | (1) | |

(1) : For the FE load combinations covered by the load combination tables of **[3.1]**, the bulkhead where the shear force adjustment is to be done is indicated in those tables.

4.4.6 Method 1 for shear force adjustment at one bulkhead

The required adjustments in shear force at following transverse bulkheads of the mid-hold are given by:

- Aft bulkhead:

$$M_{Y_aft} = M_{Y_fore} = \frac{(x_{fore} - x_{aft})}{2} (Q_{targ-aft} - Q_{aft})$$

- Forward bulkhead:

$$M_{Y_aft} = M_{Y_fore} = \frac{(x_{fore} - x_{aft})}{2} (Q_{targ-fwd} - Q_{aft})$$

where:

M_{Y_aft} , M_{Y_fore} : Vertical bending moment, in kNm, to be applied at the aft and fore ends in accordance with [4.4.9], to enforce the hull girder vertical shear force adjustment as shown in Table 10. The sign convention is that of the FE model axis.

Q_{aft} : Vertical shear force, in kN, due to local loads at aft bulkhead location of mid-hold, x_{b_aft} , resulting from the local loads calculated according to [4.4.3]. Since the vertical shear force is discontinued at the transverse bulkhead location, Q_{aft} is the maximum absolute shear force between the stations located right after and right forward of the aft bulkhead of mid-hold.

Q_{fwd} : Vertical shear force, in kN, due to local loads at the forward bulkhead location of mid-hold, x_{b_fwd} , resulting from the local loads calculated according to [4.4.3]. Since the vertical shear force is discontinued at the transverse bulkhead location, Q_{fwd} is the maximum absolute shear force between the stations located right after and right forward of the forward bulkhead of mid-hold.

Table 10 : Vertical shear force adjustment by method 1 applying vertical bending moments at ends

| Vertical shear force diagram | Target position in mid-hold |
|---|-----------------------------|
| | <p>Forward bulkhead</p> |
| | <p>Aft bulkhead</p> |
| <p>— Vertical shear force after adjustment - - - Vertical shear due to local loads</p> | |

4.4.7 Method 2 for vertical shear force adjustment at both bulkheads

The required adjustments in shear force at both transverse bulkheads of the mid-hold are to be made by applying:

- Vertical bending moments, M_{Y_aft} , M_{Y_fore} at model ends and,
- Vertical loads at the transverse frame positions as shown in **Table 12** in order to generate vertical shear forces, ΔQ_{aft} and ΔQ_{fwd} , at the transverse bulkhead positions.

Table 10 shows examples of the shear adjustment application due to the vertical bending moments and to vertical loads.

$$M_{Y_aft} = \frac{x_{fore} - x_{aft}}{2} \cdot \frac{Q_{larg-fwd} - Q_{fwd} + Q_{larg-aft} - Q_{aft}}{2}$$

$$M_{Y_fore} = M_{Y_aft}$$

$$\Delta Q_{fwd} = \frac{Q_{larg-fwd} - Q_{fwd} - (Q_{larg-aft} - Q_{aft})}{2}$$

$$\Delta Q_{aft} = -\Delta Q_{fwd}$$

where:

M_{Y_aft} , M_{Y_fore} : Vertical bending moment, in kNm, to be applied at the aft and fore ends in accordance with **[4.4.9]**, to enforce the hull girder vertical shear force adjustment. The sign convention is that of the FE model axis.

ΔQ_{aft} : Adjustment of shear force, in kN, at aft bulkhead of mid-hold.

ΔQ_{fwd} : Adjustment of shear force, in kN, at fore bulkhead of mid-hold.

The above adjustments in shear forces, ΔQ_{aft} and ΔQ_{fwd} , at the transverse bulkhead positions are to be generated by applying vertical loads at the transverse frame positions as shown in **Table 12**. Vertical correction loads are not to be applied to any transverse tight bulkheads, any frames forward of the forward cargo hold and any frames aft of the aft cargo hold of the FE model.

The vertical loads to be applied to each transverse frame to generate the increase/decrease in shear force at the bulkheads may be calculated as shown in **Table 12**. In case of uniform frame spacing, the amount of vertical force to be distributed at each transverse frame may be calculated in accordance with **Table 13**.

If non-uniform frame spacing is used within each cargo hold, the average frame spacing ℓ_{av-i} is used to calculate the average distributed frame loads δw_{av-i} , according to **Table 13**, where $i = 1, 2, 3$ for each hold. Then δw_{av-i} is redistributed to the non-uniform frame as follows:

$$\delta w_i^k = \delta w_{av-i} \frac{\ell_{av-i}^k}{\ell_{av-i}} \quad k = 1, 2, \dots, n_i - 1, \text{ for each frame in cargo hold } i, i = 1, 2, 3$$

where:

ℓ_{av-i} : Average frame spacing, in m, calculated as ℓ_i/n_i , in cargo hold i with $i = 1, 2, 3$.

ℓ_i : Length, in m, of the cargo hold i with $i = 1, 2, 3$ as defined in Table 13.

n_i : Number of frame spacing in cargo hold i with $i = 1, 2, 3$ as defined in Table 13.

δw_{av-i} : Average uniform frame spacing, in m, distributed force calculated according to Table 13 with the average frame spacing ℓ_{av-i} in cargo hold i with $i = 1, 2, 3$.

δw_i^k : Distributed load, in kN, for non-uniform frame k in cargo hold i .

ℓ_{av-i}^k : Equivalent frame spacing, in m, for each frame k with $k = 1, 2, \dots, n_i - 1$, in cargo hold i , taken as:

$$\ell_{av-i}^k = \ell_i^1 - \frac{\ell_{av-i} \ell_i^1}{\ell_i^1 + \ell_i^{n_i}} + \frac{\ell_i^2}{2} \quad \text{for } k = 1 \text{ (first frame), in cargo hold } i$$

$$l_{av-i}^k = \frac{l_i^k}{2} + \frac{l_i^{k+1}}{2} \quad \text{for } k = 2, 3, \dots, n_i - 2, \text{ in cargo hold } i$$

$$l_{av-i}^k = l_i^{n_i} - \frac{l_{av-i} l_i^{n_i}}{l_i^1 + l_i^{n_i}} + \frac{l_i^{n_i-1}}{2} \quad \text{for } k = n_i - 1 \text{ (last frame), in cargo hold } i$$

l_i^k : Frame spacing, in m, between the frame $k - 1$ and k in the cargo hold i .

Table 11 : Target and required shear force adjustment by applying vertical forces

| Vertical shear force diagram | Aft BHD | Fore BHD |
|---|----------------------|----------------------|
| | SF Target | SF target |
| | $Q_{targ-aft} (-ve)$ | $Q_{targ-fwd} (+ve)$ |
| | $Q_{targ-aft} (+ve)$ | $Q_{targ-fwd} (-ve)$ |
| <p> Vertical shear force after both adjustments Vertical shear force after adjustment by use of M_{Yaft} and M_{Yfore} Vertical shear due to local loads </p> | | |
| <p>Note 1: -ve means negative. Note 2: +ve means positive.</p> | | |

Table 12 : Target and required shear force adjustment by applying vertical forces

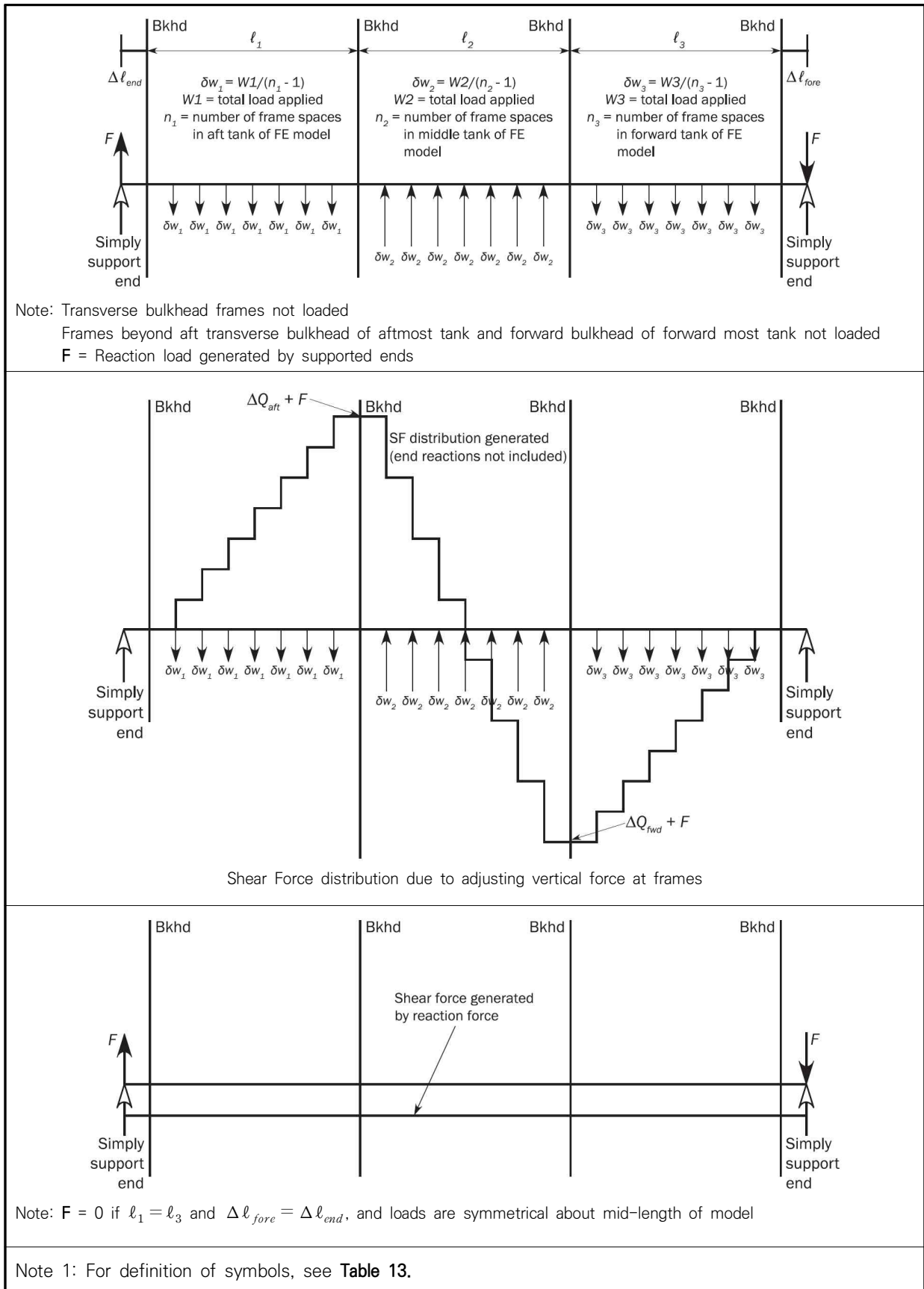


Table 13 : Formulae for calculation of vertical loads for adjusting vertical shear forces

| | |
|---|--|
| $\delta w_1 = \frac{\Delta Q_{aft}(2l - l_2 - l_3) + \Delta Q_{fwd}(l_2 + l_3)}{(n_1 - 1)(2l - l_1 - 2l_2 - l_3)}$ | $F = 0.5 \left(\frac{W1(l_1 + l_1) - W3(l_2 + l_3)}{l} \right)$ |
| $\delta w_2 = \frac{(W1 + W3)}{(n_2 - 1)} = \frac{(\Delta Q_{aft} - \Delta Q_{fwd})}{(n_2 - 1)}$ | |
| $\delta w_3 = \frac{-\Delta Q_{fwd}(2l - l_1 - l_2) - \Delta Q_{aft}(l_1 + l_2)}{(n_3 - 1)(2l - l_1 - 2l_2 - l_3)}$ | |
| <p>where:</p> <p>l_1 : Length of aft cargo hold of model, in m.</p> <p>l_2 : Length of mid-hold of model, in m.</p> <p>l_3 : Length of forward cargo hold of model, in m.</p> <p>ΔQ_{aft} : Required adjustment in shear force, in kN, at aft bulkhead of middle hold, see [4.4.7].</p> <p>ΔQ_{fwd} : Required adjustment in shear force, in kN, at fore bulkhead of middle hold, see [4.4.7].</p> <p>F : End reactions, in kN, due to application of vertical loads to frames.</p> <p>$W1$: Total evenly distributed vertical load, in kN, applied to aft hold of FE model, $(n_1 - 1) \delta w_1$.</p> <p>$W2$: Total evenly distributed vertical load, in kN, applied to mid-hold of FE model, $(n_2 - 1) \delta w_2$.</p> <p>$W3$: Total evenly distributed vertical load, in kN, applied to forward hold of FE model, $(n_3 - 1) \delta w_3$.</p> <p>n_1 : Number of frame spaces in aft cargo hold of FE model.</p> <p>n_2 : Number of frame spaces in mid-hold of FE model.</p> <p>n_3 : Number of frame spaces in forward cargo hold of FE model.</p> <p>δw_1 : Distributed load, in kN, at frame in aft cargo hold of FE model.</p> <p>δw_2 : Distributed load, in kN, at frame in mid-hold of FE model.</p> <p>δw_3 : Distributed load, in kN, at frame in forward cargo hold of FE model.</p> <p>l_{end} : Distance, in m, between end bulkhead of aft cargo hold to aft end of FE model.</p> <p>l_{fore} : Distance, in m, between fore bulkhead of forward cargo hold to forward end of FE model.</p> <p>l : Total length, in m, of FE model including portions beyond end bulkheads: $= l_1 + l_2 + l_3 + \Delta l_{end} + \Delta l_{fore}$</p> | |
| <p>Note 1: Positive direction of loads, shear forces and adjusting vertical forces in the formulae is in accordance with Table 10 and Table 11.</p> <p>Note 2: $W1 + W3 = W2$</p> <p>Note 3: The above formulae are only applicable if uniform frame spacing is used within each hold. The length and frame spacing of individual cargo holds may be different.</p> | |

The required vertical load δw_i for a uniform frame spacing or δw_i^k for non-uniform frame spacing, are to be applied by following the shear flow distribution at the considered cross section, as described in **Ch 5, App 1**. For a frame section under vertical load δw_i , the shear flow, q_f , at the middle point of the element is calculated as:

$$q_{f-k} = \frac{\delta w_i}{l_y} Q_k$$

where:

- q_{f-k} : Shear flow calculated at the middle of the k -th element of the transverse frame, in N/mm.
- δw_i : Distributed load at each transverse frame location for i -th cargo hold, $i = 1, 2, 3$, as defined in **Table 12**, in N.

I_y : Moment of inertia of the hull girder cross section, in mm^4 .
 Q_k : First moment about neutral axis of the accumulative section area starting from the open end (shear stress free end) of the cross section to the point s_k for shear flow q_{f-k} , in mm^3 , taken as;

$$Q_k = \int_0^{S_k} z_{neu} t_{gr-off} ds$$

z_{neu} : Vertical distance from the integral point, s , to the vertical neutral axis.

t_{gr-off} : Gross thickness offered, in mm, of the plate at the integral point of the cross section.

The distributed shear force at j -th FE grid of the transverse frame, F_{j-grid} , is obtained from the shear flow of the connected elements as following:

$$F_{j-grid} = \sum_{k=1}^n q_{f-k} \frac{l_k}{2}$$

where:

l_k : Length of the k -th element of the transverse frame connected to the grid j , in mm.

n : Total number of elements connect to the grid j .

The shear flow has direction along the cross section and therefore the distributed force, F_{j-grid} , is a vector force. For vertical hull girder shear correction, the vertical and horizontal force components calculated with above mentioned shear flow method need to be applied to the cross section.

4.4.8 Method 3 for vertical shear force adjustment with fixed end boundary condition

For the foremost/aftmost cargo hold model, the hull girder shear force shall be adjusted as below:

a) For shear force adjustment at one position (F_1) when local shear force exceeds the target value, or for the load case with corresponding target position assigned:

$F_1 = \Delta Q_{fwd}$ only where the target position is the fore bulkhead of foremost cargo hold

$F_1 = \Delta Q_{aft}$ only where the target position is the aft bulkhead of aftmost cargo hold,

b) For shear force adjustment at one position (F_2) when local shear force exceeds the target value and the shear force at the other bulkhead does not exceed the target value, or for the load case with corresponding target position assigned:

$F_2 = \Delta Q_{aft}$ only where the target position is the aft bulkhead of foremost cargo hold

$F_2 = \Delta Q_{fwd}$ only where the target position is the fore bulkhead of aftmost cargo hold,

If the modified shear force at the other target position is within design value, c) & (d) are to be skipped.

c) For shear force adjustment at two positions (F_1 and F_2) when local shear forces exceed the target values at two bulkhead positions or when the shear force at the other bulkhead after adjusted by a) still exceeds the target value:

$F_1 = \Delta Q_{fwd}$, $F_2 = \Delta Q_{aft} - \Delta Q_{fwd}$ for the foremost cargo hold

$F_1 = \Delta Q_{aft}$, $F_2 = \Delta Q_{fwd} - \Delta Q_{aft}$ for the aftmost cargo hold

d) For shear force adjustment at two bulkhead positions with positive and negative target values:

$F_1 = \Delta Q_{fwd}$ for foremost cargo hold, $F_1 = \Delta Q_{aft}$ for aftmost cargo hold

$F_2 = \Delta Q_{aft} - \Delta Q_{fwd}$ for foremost cargo hold, $F_2 = \Delta Q_{fwd} - \Delta Q_{aft}$ for aftmost cargo hold

$F_3 = \Delta Q_{aft} - 2\Delta Q_{fwd}$ for foremost cargo hold, $F_3 = \Delta Q_{fwd} - 2\Delta Q_{aft}$ for aftmost cargo hold

e) When the resultant force at the aft end of the model exceeds its target value, the difference between resultant and design value is to be adjusted lastly as follows:

$$F_{3-end} = \Delta Q_{fix} = R_{fix} - F_{design}$$

where,

- F_1 : Total evenly distributed vertical load, in kN, applied to fore end/engine room structure of FE model, $(n_1 - 1) \delta f_1$.
- F_2 : Total evenly distributed vertical load, in kN, applied to mid-hold of FE model, $(n_2 - 1) \delta f_2$.
- F_3 : Total evenly distributed vertical load, in kN, applied to end cargo hold of FE model, where the boundary condition of **Table 2** or **Table 3** is applied, $(n_3 - 1) \delta f_3$.
- F_{3-end} : Total additionally even distributed vertical load, in kN, applied to end cargo hold of FE model, where the boundary condition of **Table 2** or **Table 3** is applied, $(n_3 - 1) \delta f_{3-end}$.
- R_{fix} : Vertical resultant force by local loads including the vertical loads by Method 3 shear force adjustment if any at the boundary position of **Table 2** or **Table 3**, in kN.
- F_{design} : Target shear force at fixed boundary position, in kN.
- n_1 : Number of web frame spaces in fore end/engine room structure of FE model.
- n_2 : Number of web frame spaces in middle hold of foremost or aftmost cargo hold FE model.
- n_3 : Number of web frame spaces in end cargo hold of FE model with the boundary condition of **Table 2** or **Table 3**.
- δf_1 : Distributed load, in kN, at web frame in fore end/engine room structure of FE model.
- δf_2 : Distributed load, in kN, at web frame in mid-hold of FE model.
- δf_3 : Distributed load, in kN, at web frame in end cargo hold of FE model, where the boundary condition of **Table 2** or **Table 3** is applied.
- δf_{3-end} : Additionally distributed load, in kN, at web frame in end cargo hold of FE model, where the boundary condition of **Table 2** or **Table 3** is applied.

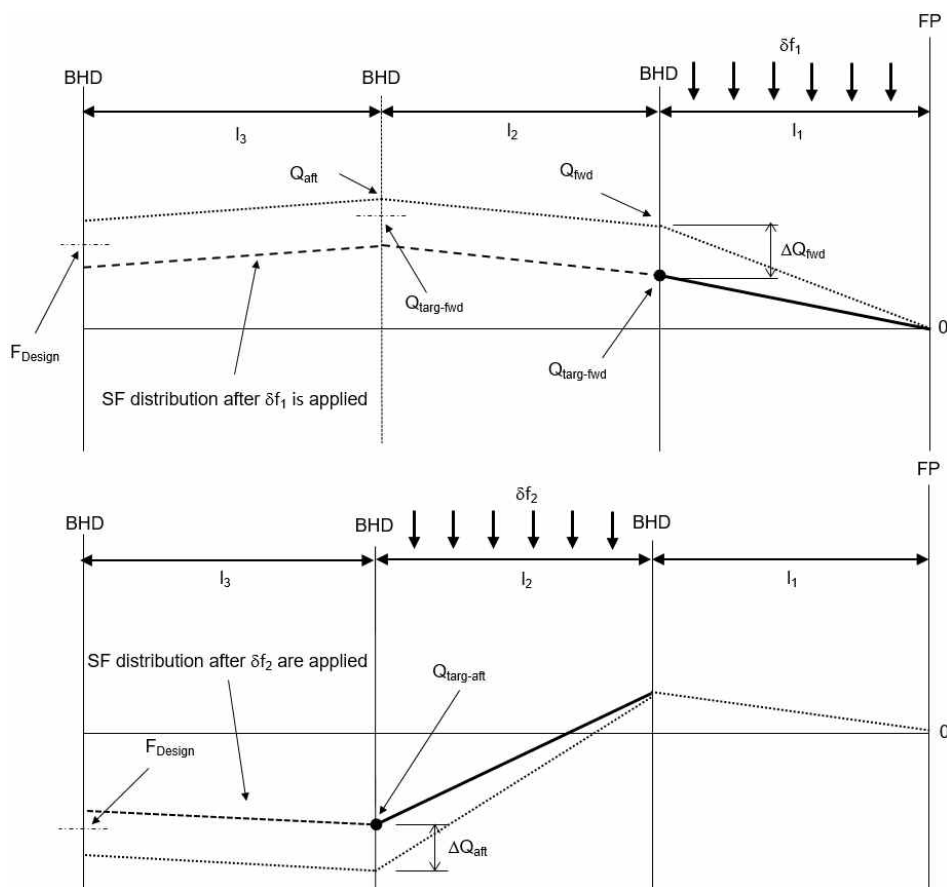


Figure 10 : Shear force adjustment at one bulkhead when exceeds the design value

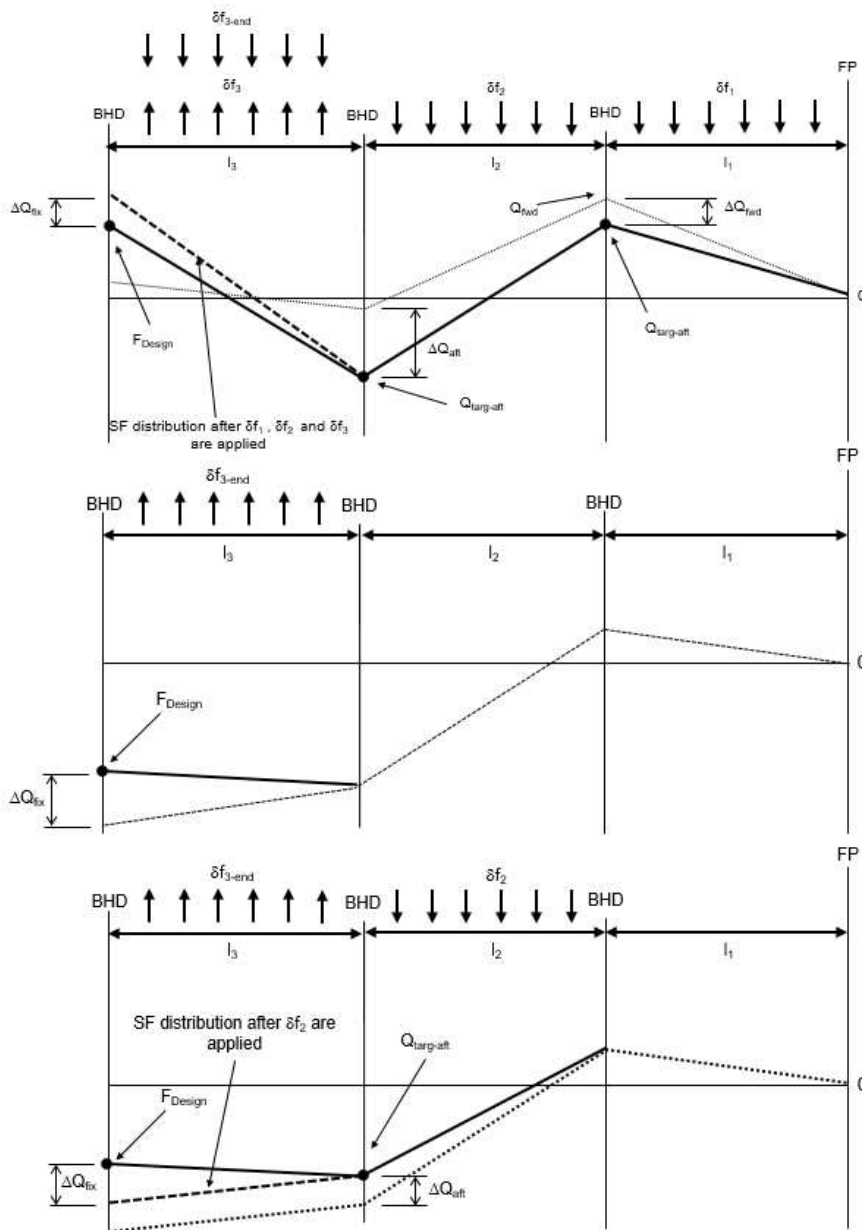


Figure 11 : Shear force adjustment at aft end of the model when exceeds the target value at model ends

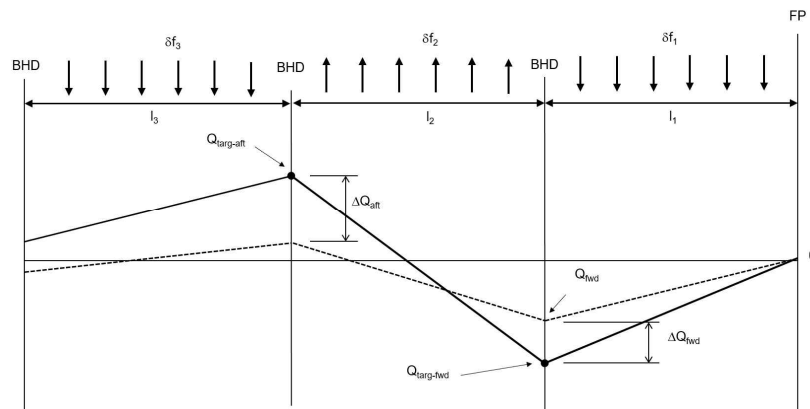


Figure 12 : Shear force adjustment at two bulkheads (aft BHD $Q_{targ-aft} (+ve)$, fore BHD $Q_{targ-fwd} (-ve)$)

4.4.9 Procedure to adjust vertical and horizontal bending moments for midship cargo hold region

In case the target vertical bending moment needs to be reached, an additional vertical bending moment is to be applied at both ends of the cargo hold FE model to generate this target value in the mid-hold of the model. However, it is not applicable to adjust the horizontal bending moment when additional boundary condition specified in **Table 4** is applied. This end vertical bending moment is given as follows:

$$M_{v-end} = M_{v-targ} - M_{v-peak}$$

where:

M_{v-end} : Additional vertical bending moment, in kNm, to be applied to both ends of FE model in accordance with **[4.4.11]**.

M_{v-targ} : Hogging(positive) or sagging(negative) vertical bending moment, in kNm, as specified in **[4.3.2]**.

M_{v-peak} : Maximum or minimum bending moment, in kNm, within the length of the mid-hold due to the local loads described in **[4.4.3]** and due to the shear force adjustment as defined in **[4.4.5]**.

M_{v-peak} is to be taken as the maximum bending moment if M_{v-targ} is hogging (positive) and as the minimum bending moment if M_{v-targ} is sagging (negative). M_{v-peak} is to be calculated as follows based on a simply supported beam model:

$$M_{v-peak} = \text{Extremum} \left\{ M_{V-FEM}(x) + M_{inload} + M_{Yaft} \left(2 \frac{x - x_{aft}}{x_{fore} - x_{aft}} - 1 \right) \right\}$$

$M_{V-FEM}(x)$: Vertical bending moment, in kNm, at position x , due to the local loads as described in **[4.4.3]**.

M_{Yaft} : End bending moment, in kNm, to be taken as:

- When method 1 is applied: the value as defined in **[4.4.6]**.
- When method 2 is applied: the value as defined in **[4.4.7]**.
- Otherwise: $M_{Yaft} = 0$

M_{inload} : Vertical bending moment, in kNm, at position x , due to application of vertical line loads at frames according to method 2, to be taken as:

$$M_{inload} = -(x - x_{aft}) F - \sum_i (x - x_i) \delta w_i \quad \text{when } x_i < x$$

F : Reaction force, in kN, at model ends due to application of vertical loads to frames as defined in **Table 12**.

x : X-coordinate, in m, of frame in way of the mid-hold.

δw_i : vertical load, in kN, at web frame station i applied to generate required shear force.

In case the target horizontal bending moment needs to be reached, an additional horizontal bending moment is to be applied at the ends of the cargo tank FE model to generate this target value within the mid-hold. The additional horizontal bending moment is to be taken as:

$$M_{h-end} = M_{h-targ} - M_{h-peak}$$

where:

M_{h-end} : Additional horizontal bending moment, in kNm, to be applied to both ends of the FE model according to **[4.4.11]**.

M_{h-targ} : Horizontal bending moment, as defined in **[4.3.4]**.

M_{h-peak} : Maximum or minimum horizontal bending moment, in kNm, within the length of the mid-hold due to the local loads described in **[4.4.3]**.

M_{h-peak} is to be taken as the maximum horizontal bending moment if M_{h-targ} is positive (starboard side in tension) and as the minimum horizontal bending moment if M_{h-targ} is negative (port side in tension).

M_{h-peak} is to be calculated as follows based on a simply supported beam model:

$$M_{h-peak} = \text{Extremum}\{M_{H-FEM}(x)\}$$

$M_{H-FEM}(x)$: Horizontal bending moment, in kNm, at position x , due to the local loads as described in [4.4.3].

The vertical and horizontal bending moments are to be calculated over the length of the mid-hold to identify the position and value of each maximum/minimum bending moment.

4.4.10 Procedure to adjust vertical and horizontal bending moments outside midship cargo hold region

To reach the vertical hull girder target values at each frame and transverse bulkhead position, as defined in [4.3.2] and [4.3.4], the vertical bending moment adjustments, m_{vi} , are to be applied at web frames and transverse bulkhead positions of the finite element model, as shown in Figure 13. However, it is not applicable to adjust the horizontal bending moment when the boundary condition specified in Table 4 is applied. The vertical bending moment adjustment at each longitudinal location, i , is to be calculated as follows:

$$f(i) = M_{v-targ}(i) - M_{V-FEM}(i) - M_{lin\ load}(i)$$

$$m_{vi} = \frac{f(i) + f(i+1)}{2} - \sum_{j=0}^{i-1} m_{vj}$$

where:

- i : Index corresponding to the i -th station, starting from $i=2$ at the aft end section up to n_t when Table 2 or Table 3 is applied.
- n_t : Total number of longitudinal stations where the vertical bending moment adjustment, m_{vi} , is applied.
- m_{vi} : Vertical bending moment adjustment, in kNm, to be applied at transverse frame or bulkhead at station i .
- m_{vj} : Argument of summation to be taken as:
 - $m_{vj} = 0$ When $j = 0$
 - $m_{vj} = m_{vi}$ When $j = i$

$M_{v-targ}(i)$: Required target vertical bending moment, in kNm, at station i , calculated in accordance with [4.3.2].

$M_{V-FEM}(i)$: Vertical bending moment distribution, in kNm, at station i due to local loads as given in [4.4.3].

$M_{lin\ load}(i)$: Vertical bending moment, in kNm, at station i due to line load for the vertical shear force correction according to method 3 as given in [4.4.8].

$$M_{lin\ load} = - \sum_i (x - x_i) \delta f_i \quad \text{when } x_i < x \text{ for aftmost cargo hold}$$

$$M_{lin\ load} = \sum_i (x - x_i) \delta f_i \quad \text{when } x_i > x \text{ for foremost cargo hold}$$

To reach the horizontal hull girder target values at each frame and transverse bulkhead position as defined in [4.3.4], the horizontal bending moment adjustments, m_{hi} , are to be applied at web frames and transverse bulkhead positions of the finite element model, as shown in Figure 13. The horizontal bending moment adjustment at each longitudinal location, i , is to be calculated as follows:

$$f(i) = M_{h-targ}(i) - M_{H-FEM}(i)$$

$$m_{hi} = \frac{f(i) + f(i+1)}{2} - \sum_{j=0}^{i-1} m_{hj}$$

where:

- i : Longitudinal location for bending moment adjustments, m_{hi}
- n_t : Total number of longitudinal stations where the horizontal bending moment adjustment, m_{hi} , is

applied.

m_{hi} : Horizontal bending moment adjustment, in kNm, to be applied at transverse frame or bulkhead at station i .

m_{hi} : Argument of summation to be taken as:

- $m_{hi} = 0$ When $j = 0$
- $m_{hj} = m_{hi}$ When $j = i$

$M_{h-target}(i)$: Required target horizontal bending moment, in kNm, at station i , calculated in accordance with [4.3.4].

$M_{H-FEM}(i)$: Horizontal bending moment distribution, in kNm, at station i due to local loads as given in [4.4.3].

The vertical and horizontal bending moment adjustments, m_{hi} and m_{hi} , are to be applied at all web frames and bulkhead positions of the FE model. The adjustments are to be applied in FE model by distributing longitudinal axial nodal forces to all hull girder bending effective longitudinal elements in accordance with [4.4.11].

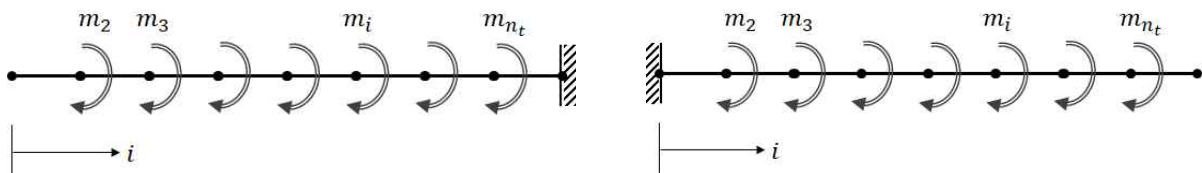


Figure 13 : Adjustment of bending moments outside midship cargo hold (left: aftmost cargo hold, right: foremost cargo hold)

4.4.11 Application of bending moment adjustments on the FE model

The required vertical and horizontal bending moment adjustments are to be applied to the considered cross section of the cargo hold model by distributing longitudinal axial nodal forces to all hull girder bending effective longitudinal elements of the considered cross section according to Ch 5, Sec 1, [1.2] as follows:

- For vertical bending moment:

$$(F_x)_i = \frac{M_v}{I_y} \frac{A_i}{n_i} z_i$$

- For horizontal bending moment:

$$(F_x)_i = \frac{M_h}{I_z} \frac{A_i}{n_i} y_i$$

where:

M_v : Vertical bending moment adjustment, in kNm, to be applied to the considered cross section of the model.

M_h : Horizontal bending moment adjustment, in kNm, to be applied to the considered cross section the ends of the model.

$(F_x)_i$: Axial force, in kN, applied to a node of the i -th element.

I_y : Hull girder vertical moment of inertia, in m^4 , of the considered cross section about its horizontal neutral axis.

I_z : Hull girder horizontal moment of inertia, in m^4 , of the considered cross section about its vertical neutral axis.

Z_i : Vertical distance, in m, from the neutral axis to the centre of the cross sectional area of the i -th element.

Y_i : Horizontal distance, in m, from the neutral axis to the centre of the cross sectional area of the

i -th element.

A_i : Cross sectional area, in m^2 , of the i -th element.

n_i : Number of nodal points of i -th element on the cross section, $n_i = 1$ for beam element, $n_i = 2$ for 4-node shell element.

For cross sections other than cross sections at the model end, the average area of the corresponding i -th elements forward and aft of the considered cross section is to be used.

4.5 Procedure to adjust hull girder torsional moments

4.5.1 General

The procedure in this sub-article describes how to adjust the hull girder torsional moment distribution on the cargo hold FE model to achieve the target torsional moment at the target location. The hull girder torsional moment target values are given in [4.3.5].

4.5.2 Torsional moment due to local loads

Torsional moment, in kNm, at longitudinal station i due to local loads, M_{T-FEMi} in kNm, is determined by the following formula (see Figure 14):

$$M_{T-FEMi} = \sum_k [f_{hik}(z_{ik} - z_r)] - \sum_k (f_{vik}y_{ik})$$

where:

M_{T-FEMi} : Lumped torsional moment, in kNm, due to local load at longitudinal station i .

z_r : Vertical coordinate of torsional reference point, in m:

$z_r = z_{sc}$, shear centre at the middle of the mid-hold.

f_{hik} : Horizontal nodal force, in kN, of node k at longitudinal station i .

f_{vik} : Vertical nodal force, in kN, of node k at longitudinal station i .

y_{ik} : Y-coordinate, in m, of node k at longitudinal station i .

z_{ik} : Z-coordinate, in m, of node k at longitudinal station i .

M_{T-FEMO} : Lumped torsional moment, in kNm, due to local load at aft end of the FE model, taken as:

$$M_{T-FEMO} = - \sum_k [f_{h0k}(z_{0k} - z_r)] + \sum_k (f_{v0k}y_{0k}) \text{ for foremost cargo hold model}$$

$$M_{T-FEMO} = \sum_k [f_{h0k}(z_{0k} - z_r)] - \sum_k (f_{v0k}y_{0k}) + R_{H,aft}(z_{ind} - z_r) \text{ for the other cargo hold models}$$

$R_{H, fwd}$: Horizontal reaction forces, in kN, at the forward end, as defined in [4.4.3].

$R_{H, aft}$: Horizontal reaction forces, in kN, at the aft end, as defined in [4.4.3].

z_{ind} : Vertical coordinate, in m, of independent point as defined in [2.5.2].

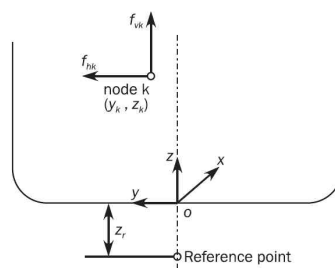


Figure 14 : Station forces and acting location of torsional moment at section

4.5.3 Hull girder torsional moment

The hull girder torsional moment, $M_{T-FEM}(x_j)$ in kNm, is obtained by accumulating the station torsional moment from the aft end section as follows:

$$M_{T-FEM}(x_j) = \sum_i M_{T-FEMi} \quad \text{when } x_i \geq x_j \text{ for foremost cargo hold model}$$

$$\text{when } x_i < x_j \text{ otherwise}$$

where:

$M_{T-FEM}(x_j)$: Hull girder torsional moment, in kNm, at longitudinal station x_j .

x_j : X-coordinate, in m, of considered longitudinal station j .

The torsional moment distribution given in [4.5.2], has a step at each longitudinal station.

4.5.4 Procedure to adjust hull girder torsional moment to target value

The torsional moment is to be adjusted by applying a hull girder torsional moment M_{T-end} in kNm, at the independent point of the aft end section of midship/aftmost hold, or forward end section of foremost hold model, given as follows:

$$M_{T-end} = M_{wt-targ} - M_{T-FEM}(x_{targ})$$

where:

x_{targ} : X-coordinate, in m, of the target location for hull girder torsional moment, as defined in [4.3.5].

$M_{wt-targ}$: Target hull girder torsional moment, in kNm, specified in [4.3.5], to be achieved at the target location.

$M_{T-FEM}(x_{targ})$: Hull girder torsional moment, in kNm, at target location due to local loads.

Due to the step of hull girder torsional moment at each longitudinal station, the hull girder torsional moment is to be selected from the values aft and forward of the target location as follows: Maximum value for positive torsional moment and minimum value for negative torsional moment.

4.6 Summary of hull girder load adjustments

4.6.1

The required methods of hull girder load adjustments for cargo hold regions are given in Table 14.

Table 14 : Overview of hull girder load adjustments in FE analyses

| | Midship cargo hold region | Aftmost cargo hold | Foremost cargo hold |
|-------------------------------------|---------------------------|--------------------|---------------------|
| Adjustment of Vertical Shear Forces | See [4.4.5] | See [4.4.8] | |
| Adjustment of Bending Moments | See [4.4.9] | See [4.4.10] | |
| Adjustment of Torsional Moment | See [4.5.4] | | |

5. Analysis criteria

5.1 General

5.1.1 Evaluation areas

Verification of results against the acceptance criteria is to be carried out within the longitudinal extent of the mid-hold, as shown in **Figure 15**. The longitudinal extent is from the aft bulkhead of aft cofferdam of mid-hold to the forward bulkhead of fore cofferdam of mid-hold.

In aftmost hold, one web frame spacing in aft direction is to be added for the consideration of structural continuation. And, for the foremost hold, one web frame spacing in forward direction is to be included for transition area evaluation.

In cases of using IGC pressure, which are LM3-IGC, LA3-IGC and LF3-IGC of **Table 5 ~ 7** with additional IGC boundary condition as defined in **Table 4**, the hull envelope including outer cofferdam bulkheads, is to be excluded.

For accidental condition, the evaluation is carried out for the members within one web frame forward and one frame aftward in way of cofferdam structure, where the collision load direction is coincided. Refer to **Figure 16**.

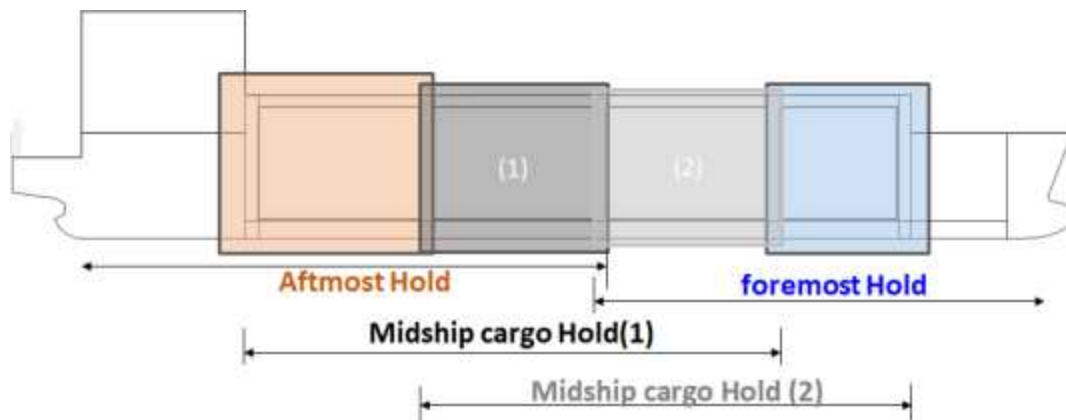


Figure 15 : Longitudinal extent of evaluation area

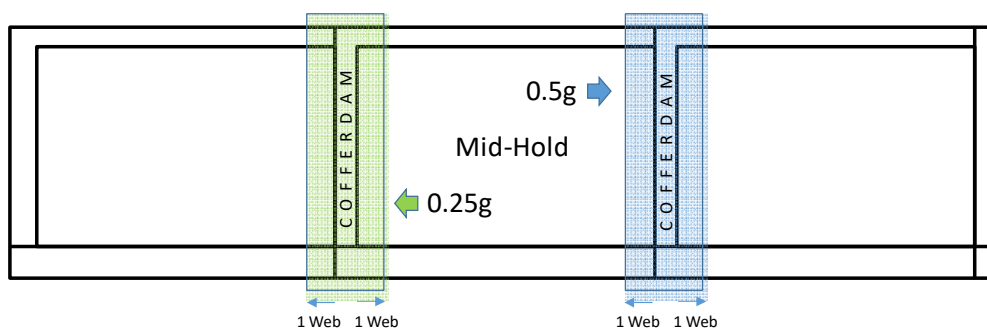


Figure 16 : Longitudinal extent of evaluation area for accidental condition

5.1.2 Structural members

The following structural elements within the evaluation area are to be verified with the criteria given in [5.2] and [5.3]:

- All hull girder longitudinal structural members within Mid-hold including adjacent cofferdams and one web frame spacing more in forward and aftward direction from the cofferdams.

- All primary supporting structural members and bulkheads within the mid-hold.
- All structural members being part of the transverse bulkheads.

5.2 Yield strength assessment

5.2.1 Von Mises stress

For all plates of the structural members defined in [5.1.2], the von Mises stress, σ_{vm} , in N/mm², is to be calculated based on the membrane normal and shear stresses of the shell element. The stresses are to be evaluated at the element centroid of the mid-plane (layer), as follows:

$$\sigma_{vm} = \sqrt{\sigma_x^2 - \sigma_x\sigma_y + \sigma_y^2 + 3\tau_{xy}^2}$$

where:

σ_x, σ_y : Element normal membrane stresses, in N/mm².

τ_{xy} : Element shear stress, in N/mm².

5.2.2 Axial stress in beams and rod elements

For beams and rod elements, the axial stress, σ_{axial} , in N/mm², is to be calculated based on axial force alone. The axial stress is to be evaluated at the middle of element length.

5.2.3 Coarse mesh permissible yield utilisation factors

The coarse mesh permissible yield utilisation factors, λ_{yperm} , given in Table 15, are based on the mesh sizes and element types described in [2.3] to [2.4].

The yield utilisation factor resulting from element stresses of each structural component are not to exceed the permissible values as given in Table 15.

Table 15 : Coarse mesh permissible yield utilisation factor

| Structural component | Coarse mesh permissible yield utilisation factor, λ_{yperm} |
|--|---|
| Plating of all longitudinal hull girder structural members, primary supporting structural members and bulkheads. | 1.0 (load combination S+D) |
| | 0.8 (load combination S) |
| Face plate of primary supporting members modelled using shell or rod elements. | 1.0 (load combination A) |

5.2.4 Yield criteria

The structural elements given in [5.1.2] are to comply with the following criteria:

$$\lambda_y \leq \lambda_{yperm}$$

where:

λ_y : Yield utilisation factor.

$$\lambda_y = \frac{\sigma_{vm}}{R_Y} \quad \text{for shell elements in general.}$$

$$\lambda_y = \frac{\sigma_{vm}}{R_{cH}} \quad \text{for accidental condition or the loading condition with AC-A.}$$

$$\lambda_y = \frac{|\sigma_{axial}|}{R_Y} \quad \text{for rod or beam elements in general.}$$

$$\lambda_y = \frac{|\sigma_{axial}|}{R_{eH}} \quad \text{for accidental condition or the loading condition with AC-A.}$$

σ_{vm} : Von Mises stress, in N/mm².

σ_{axial} : Axial stress in rod or beam element, in N/mm².

λ_{yperm} : Coarse mesh permissible yield utilisation factors defined in **Table 15**.

The yield check criteria is to be based on axial stress for the flange of primary supporting members.

Where the von Mises stress of the elements in the cargo hold FE model in way of the area under investigation by fine mesh exceeds the yield criteria, average von Mises stress, obtained from the fine mesh analysis, calculated over an area equivalent to the mesh size of the cargo hold finite element model is to satisfy the yield criteria above.

In way of cut-outs, yield utilisation factor is to be obtained with shear stress correction, as given in **[5.2.6]**.

5.2.5 Inner hull forming cargo hold

For the ships with foam type cargo containment system such as Mark III and KC-1, the bending stress of inner hull is to satisfy the stress limit under the condition specified by the designer of the cargo containment system as described in **Ch 5, Sec 1, [4]**.

5.2.6 Shear stress correction for cut-out

Except as indicated in **[5.2.7]**, the element shear stress in way of cut-outs in webs is to be corrected for loss in shear area in accordance with the following formula. The corrected element shear stress is to be used to calculate the von Mises stress of the element for verification against the yield criteria.

$$\tau_{cor} = \frac{h t_{mod}}{A_{shr}} \tau_{elem}$$

where:

τ_{cor} : Corrected element shear stress, in N/mm².

h : Height of web of girder, in mm, in way of opening. Where the geometry of the opening is modelled, h is to be taken as the height of web of the girder deducting the height of the modelled opening.

t_{mod} : Modelled web thickness, in mm, in way of opening.

A_{shr} : Effective shear area of web, in mm², taken as the web area deducting the area lost of all openings, including slots for stiffeners, calculated in accordance with **Ch 3, Sec 7, [1.4.8]**.

τ_{elem} : Element shear stress, in N/mm², before correction.

5.2.7 Exceptions for shear stress correction for openings

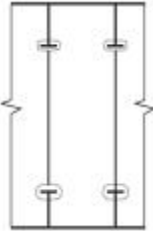
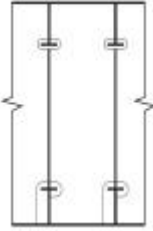
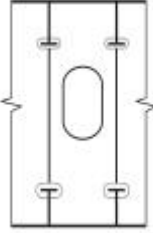
Correction of element shear stress due to presence of cut-outs is not required for cases given in **Table 16** provided λ_y/C_r complies with the criteria given in **[5.2.4]**.

5.3 Buckling strength assessment

5.3.1

All structural elements in FE analysis carried out in accordance with this Section are to be assessed individually against the buckling requirements as defined in **Ch 8, Sec 4**.

Table 16 : Exceptions for shear stress correction

| Identification | Figure | Difference between modelled shear area and the effective shear area in % of the modelled shear area $\frac{A_{FEM} - A_{shr}}{A_{FEM}} \cdot 100\%$ | Reduction factor for yield criteria, C_r |
|--|--|--|--|
| Upper and lower slots for local support stiffeners fitted with lugs or collar plates |  | $< 15\%$ | 0.85 |
| Upper or lower slots for local support stiffeners fitted with lugs or collar plates |  | $< 20\%$ | 0.80 |
| In way of opening: upper and lower slots for local support stiffeners fitted with collar plates |  | $< 40\%$ | 0.60 |
| A_{shr} : Effective shear area of web, in mm ² , taken as the web area deducting the area lost of all openings, including slots for stiffeners, calculated in accordance with Ch 3, Sec 7, [1.4.8] . | | | |

Section 3 – Local Structural Strength Analysis

1. Objective and scope

1.1 General

1.1.1

The local strength analysis of structural details is to be in accordance with the requirements given in this section.

1.1.2

The selection of critical locations on the structural members for fine mesh analysis is to be in accordance with this section.

1.1.3 Fine mesh analysis procedure

The details to be assessed by fine mesh analysis are to be modelled according to the requirements given in [3], under the FE load combinations defined in [4] and to comply with the criteria given in [5].

1.2 Modelling of structural details

The fine mesh analysis may be carried out the area of high stress concentration identified during coarse mesh analysis. The structural details is to be geometrically accurate as possible.

2. Local areas to be assessed by fine mesh analysis

2.1 Areas to be checked

2.1.1 Selection of critical locations

In cargo hold region, the following structural details are to be included and assessed according to the fine mesh analysis procedure defined in [1.1.3]:

- a) Connection of deck house and the longitudinal members above the upper deck
- b) Fore end structure of the trunk deck
- c) Connections of double bottom in way of transverse bulkheads
- d) Typical liquid dome opening if any
- e) Hopper corner connection in way of a typical web frame
- f) Transition area where inner hull longitudinal bulkhead is noncontinuous
- g) Connection of side stringer plate in way of transverse bulkheads

High stress concentrated areas where the stress level is more than 95% of the utilisation factor given in Sec 2, [5.2.4] need to be verified by fine mesh analysis.

3. Structural modelling

3.1 General

3.1.1

Evaluation of detailed stresses requires the use of refined finite element mesh in way of areas of high stress. This fine mesh analysis can be carried out by fine mesh zones incorporated into the cargo hold

model. Alternatively, separate local FE model with fine mesh zones in conjunction with the boundary conditions obtained from the cargo hold model may be used.

3.2 Extent of model

3.2.1

If a separate local fine mesh model is used, its extent is to be such that the calculated stresses at the areas of interest are not significantly affected by the imposed boundary conditions. The boundary of the fine mesh model is to coincide with primary supporting members in the cargo hold model, such as web frame, girders, stringers and floors.

3.3 Mesh size

3.3.1

The mesh size in the fine mesh zones is not to be greater than 50 x 50 mm.

3.3.2

The extent of the fine mesh zone is not to be less than 10 elements in all directions from the area under investigation. A smooth transition of mesh density from fine mesh zone to the boundary of the fine mesh model is to be maintained.

3.4 Elements

3.4.1

All plating within the fine mesh zone is to be represented by shell elements. The aspect ratio of elements within the fine mesh zone is to be kept as close to 1 as possible. Variation of mesh density within the fine mesh zone and the use of triangular elements are to be avoided. In all cases, the elements within the fine mesh model are to have an aspect ratio not exceeding 3. Distorted elements, with element corner angles of less than 45° or greater than 135°, are to be avoided. Stiffeners inside the fine mesh zone are to be modelled using shell elements. Stiffeners outside the fine mesh zones may be modelled using beam elements.

3.4.2

Where fine mesh analysis is required for main bracket end connections and liquid dome opening, the fine mesh zone is to be extended at least 10 elements in all directions from the area subject to assessment.

3.4.3

Where fine mesh analysis is required for an opening, the first two layers of elements around the opening are to be modelled with mesh size not greater than 50 x 50 mm. A smooth transition from the fine mesh to the coarser mesh is to be maintained. Edge stiffeners which are welded directly to the edge of an opening are to be modelled with shell elements. Web stiffeners close to an opening may be modelled using rod or beam elements located at a distance of at least 50 mm from the edge of the opening.

3.4.4

Face plates of openings, primary supporting members and associated brackets are to be modelled with at least two elements across their width on either side.

4. FE load combinations

4.1 General

4.1.1

The fine mesh detailed stress analysis is to be carried out for all FE load combinations applied to the corresponding cargo hold analysis.

4.2 Application of loads and boundary conditions

4.2.1 General

Where a separate local model is used for the fine mesh detailed stress analysis, the nodal displacements from the cargo tank model are to be applied to the corresponding boundary nodes on the local model as prescribed displacements. Alternatively, equivalent nodal forces from the cargo tank model may be applied to the boundary nodes.

Where there are nodes on the local model boundaries which are not coincident with the nodal points on the cargo tank model, it is acceptable to impose prescribed displacements on these nodes using multi-point constraints. The use of linear multi-point constraint equations connecting two neighbouring coincident nodes is considered sufficient.

All local loads, including any loads applied for hull girder bending moment and/or shear force adjustments, in way of the structure represented by the separate local finite element model are to be applied to the model.

5. Analysis criteria

5.1 Stress assessment

5.1.1 General

Stress assessment of the fine mesh analysis is to be carried out for the FE load combinations specified in Table 4 ~ 6.

5.1.2 Reference stress

Reference stress is von Mises stress, σ_{vm} , which is to be calculated based on the membrane normal and shear stresses of the shell element evaluated at the element centroid. The stresses are to be evaluated at the mid plane of the element.

5.1.3 Permissible stress

The maximum permissible stresses are based on the mesh size of 50 x 50 mm as specified in [3]. Where a smaller mesh size is used, an area weighted von Mises stress calculated over an area equal to the specified mesh size may be used to compare with the permissible stresses. The averaging is to be based only on elements with their entire boundary located within the desired area. The average stress is to be calculated based on stresses at element centroid; stress values obtained by interpolation and/or extrapolation are not to be used. Stress averaging is not to be carried across structural discontinuities and abutting structure.

5.2 Acceptance criteria

5.2.1

Verification of stress results against the acceptance criteria is to be carried out in accordance with [5.1].

The structural assessment is to demonstrate that the stress complies with the following criteria:

$$\lambda_f \leq \lambda_{fperm}$$

where:

λ_f : Fine mesh yield utilisation factor.

$$\lambda_f = \frac{\sigma_{vm}}{R_Y} \quad \text{for shell elements in general}$$

$$\lambda_y = \frac{\sigma_{vm}}{R_{eH}} \quad \text{for accidental condition or the loading condition with AC-A.}$$

$$\lambda_f = \frac{|\sigma_{axial}|}{R_Y} \quad \text{for rod or beam elements in general}$$

$$\lambda_f = \frac{|\sigma_{axial}|}{R_{eH}} \quad \text{for accidental condition or the loading condition with AC-A.}$$

σ_{vm} : Von Mises stress, in N/mm²

σ_{axial} : Axial stress in rod element, in N/mm²

λ_{fperm} : Permissible fine mesh utilisation factor, taken as:

- Element not adjacent to weld:
 - $\lambda_{fperm} = 1.70f_f$ for AC-SD, AC-A
 - $\lambda_{fperm} = 1.36f_f$ for AC-S
- Element adjacent to weld:
 - $\lambda_{fperm} = 1.50f_f$ for AC-SD, AC-A
 - $\lambda_{fperm} = 1.20f_f$ for AC-S

f_f : Fatigue factor, taken as:

- $f_f = 1.0$ in general,
- $f_f = 1.2$ for details assessed by very fine mesh analysis complying with the fatigue assessment criteria given in **Ch 9, Sec 2**.

Note 1: The maximum permissible stresses are based on the mesh size of 50 x 50 mm. Where a smaller mesh size is used, an average von Mises stress calculated in accordance with **[5.1]** over an area equal to the specified mesh size may be used to compare with the permissible stresses.

Note 2: Average von Mises stress is to be calculated based on weighted average against element areas:

$$\sigma_{vm-av} = \frac{\sum_1^n A_i \sigma_{vm-i}}{\sum_1^n A_i}$$

where:

σ_{vm-av} is the average von Mises stress.

Note 3: Stress averaging is not to be carried across structural discontinuities and abutting structure.

Chapter 8

Buckling

| | |
|------------|--|
| Section 1 | General |
| Section 2 | Slenderness Requirements |
| Section 3 | Prescriptive Buckling Requirements |
| Section 4 | Buckling Requirements for Direct Strength Analysis |
| Section 5 | Buckling Capacity |
| Appendix 1 | Stress Based Reference Stresses |

Section 1 – General

1. Introduction

1.1 Assumption

1.1.1

This chapter contains the strength criteria for buckling and ultimate strength of local supporting members, primary supporting members and other structures such as pillars and brackets. These criteria are to be applied as specified in **Ch 6** for hull local scantlings and in **Ch 7** for direct strength analysis.

1.1.2

For each structural member, the characteristic buckling strength is to be taken as the most unfavourable / critical buckling failure mode.

1.1.3

Unless otherwise specified, the scantling requirements of structural members in this chapter are based on net scantling obtained by deducting t_c from the gross offered thickness, where t_c is defined in **Ch 3, Sec 3**.

1.1.4

In this chapter, compressive and shear stresses are to be taken as positive, tension stresses are to be taken as negative.

2. Application

2.1 Scope

2.1.1

The buckling checks are to be performed according to:

- a) **Ch 8, Sec 2** for the slenderness requirements of plates, longitudinal and transverse stiffeners, primary supporting members and brackets.
- b) **Ch 8, Sec 3** for the prescriptive buckling requirements of plates, longitudinal and transverse stiffeners, primary supporting members and other structures.
- c) **Ch 8, Sec 4** for the buckling requirements of the FE analysis for the plates, stiffened panels and other structures.
- d) **Ch 8, Sec 5** for the buckling capacity of prescriptive and FE buckling requirements.

2.1.2 Stiffener

The buckling check of the stiffeners referred to in this Chapter is applicable to the stiffener fitted along the long edge of the buckling panel.

2.1.3 Enlarged stiffener

Enlarged stiffeners, with or without web stiffening, used for means of access are to comply with the following requirements:

- a) Slenderness requirements for primary supporting members as follows:
 - For enlarged stiffener web, see item (a) of **Ch 8, Sec 2, [4.1.1]**.
 - For enlarged stiffener flange, see item (b) of **Ch 8, Sec 2, [4.1.1]** and **Ch 8, Sec 2, [5.1]**.
 - For stiffeners fitted on enlarged stiffener web, see **Ch 8, Sec 2, [3.1.1]** and **Ch 8, Sec 2, [3.1.3]**.
- b) Buckling strength of prescriptive requirements as follows:

- For enlarged stiffener web, see **Ch 8, Sec 3, [3.2]**.
 - For stiffeners fitted on enlarged stiffener web, see **Ch 8, Sec 3, [3.1]** and **Ch 8, Sec 3, [3.3]**.
- c) All structural elements are to be complied with for the buckling requirements of the FE analysis in **Ch 8, Sec 4** when applicable.

3. Definitions

3.1 General

3.1.1 Buckling definition

'Buckling' is used as a generic term to describe the strength of structures, generally under in-plane compressions and/or shear and lateral load. The buckling strength or capacity can take into account the internal redistribution of loads depending on the load situation, slenderness and type of structure.

3.1.2 Buckling capacity

Buckling capacity based on this principle gives a lower bound estimate of ultimate capacity, or the maximum load the panel can carry without suffering major permanent set.

Buckling capacity assessment utilises the positive elastic post-buckling effect for plates and accounts for load redistribution between the structural components, such as between plating and stiffeners. For slender structures, the capacity calculated using this method is typically higher than the ideal elastic buckling stress (minimum Eigen value). Accepting elastic buckling of structural components in slender stiffened panels implies that large elastic deflections and reduced in-plane stiffness will occur at higher buckling utilisation levels.

3.1.3 Assessment methods

The buckling assessment is carried out according to one of the two methods taking into account different boundary condition types:

- a) Method A: All the edges of the elementary plate panel are forced to remain straight (but free to move in the in-plane directions) due to the surrounding structure/neighbouring plates.
- b) Method B: The edges of the elementary plate panel are not forced to remain straight due to low in-plane stiffness at the edges and/or no surrounding structure/neighbouring plates.

3.2 Buckling utilisation factor

3.2.1

The utilisation factor, η , is defined as the ratio between the applied loads and the corresponding ultimate capacity or buckling strength.

3.2.2 (2023)

For combined loads, the utilisation factor, η_{act} , is to be defined as the ratio of the equivalent applied stress and the corresponding buckling capacity, as shown in **Figure 1**, and is to be taken as:

$$\eta_{act} = \frac{W_{act}}{W_u} = \frac{1}{\gamma_c}$$

where:

W_{act} : Equivalent applied stress, in N/mm², the actual applied stress are given in **Sec 3** and **Sec 4** respectively for buckling assessment by prescriptive and direct strength analysis

W_u : Equivalent buckling capacity, in N/mm², for plates and stiffeners, their respective buckling or ultimate capacities are given in **Sec 5**.

γ_c : Stress multiplier factor at failure.

For each typical failure mode, the corresponding capacity of the panel is calculated by applying the actual stress combination and then increasing or decreasing the stresses proportionally until collapse.

Figure 1 illustrates the buckling capacity and the buckling utilisation factor of a structural member subject to σ_x and σ_y stresses.

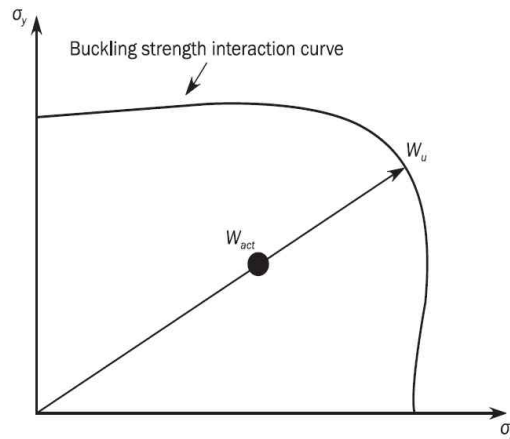


Figure 1 : Example of buckling capacity and buckling utilisation factor

3.3 Allowable buckling utilisation factor

3.3.1 General structural elements

The allowable buckling utilisation factor is defined in **Table 1**.

Table 1 : Allowable buckling utilisation factor

| Structural component | η_{all} , Allowable buckling utilisation factor |
|----------------------------------|---|
| Plates and stiffeners | 1.00 for load combination: S+D |
| Stiffened and unstiffened panels | 0.80 for load combination: S |
| Web plate in ways of openings | 1.00 for load combination: A, T |
| Pillars | 0.75 for load combination: S+D 0.65 for load combination: S 0.75 for load combination: A, T |

3.4 Buckling acceptance criteria

3.4.1

A structural member is considered to have an acceptable buckling strength if it satisfies the following criterion:

$$\eta_{act} \leq \eta_{all}$$

where:

η_{act} : Buckling utilisation factor based on the applied stress, defined in **[3.2.2]**.

η_{all} : Allowable buckling utilisation factor as defined in **[3.3]**.

Section 2 – Slenderness requirements

Symbols

For symbols not defined in this section, refer to **Ch 1, Sec 4**.

b_{f-out} : Maximum distance, in mm, from mid thickness of the web to the flange edge, as shown in **Figure 1**.

h_w : Depth of stiffener web, in mm, as shown in **Figure 1**.

l_b : Effective length of edge of bracket, in mm, as defined in **Table 3**.

s_{eff} : Effective width of attached plate of stiffener, in mm, taken equal to :

$$s_{eff} = 0.8s$$

t_f : Net flange thickness, in mm.

t_p : Net thickness of plate, in mm.

t_w : Net web thickness, in mm.

1. Structural elements

1.1 General

1.1.1 (2023)

All structural elements are to comply with the applicable slenderness and proportion requirements given in **[2]** to **[4]**, except for the ones listed below;

- Bilge plates within the cylindrical part of the ship and radius gunwale;
- Structure members in superstructures and deck houses, if the structural members do not contribute to the longitudinal strength.

2. Plates

2.1 Net thickness of plate panels

2.1.1

The net thickness of plate panels is to satisfy the following criteria:

$$t_p \geq \frac{b}{C} \sqrt{\frac{R_{cH}}{235}}$$

where:

C : Slenderness coefficient taken as:

$$C = 145$$

R_{cH} : Specified minimum yield stress of the plate material, N/mm²

A lower specified minimum yield stress may be used in this slenderness criterion provided the requirements specified in **Sec 3** and **Sec 4** are satisfied for the strake assumed in the same lower specified minimum yield stress value.

This requirement does not apply to the bilge plates within the cylindrical part of the ship and radius

gunwale.

3. Stiffeners

3.1 Proportions of stiffeners

3.1.1 Net thickness of all stiffener types

The net thickness of stiffeners is to satisfy the following criteria:

a) Stiffener web plate:

$$t_w \geq \frac{h_w}{C_w} \sqrt{\frac{R_{eH}}{235}}$$

b) Flange:

$$t_f \geq \frac{b_{f-out}}{C_f} \sqrt{\frac{R_{eH}}{235}}$$

where:

C_w, C_f : Slenderness coefficients given in **Table 1**.

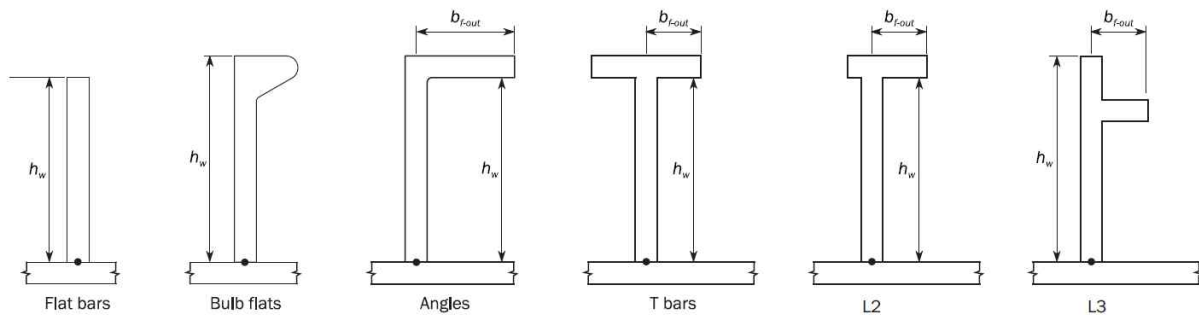


Figure 1 : Stiffener scantling parameters

Table 1 : Slenderness coefficients (2023)

| Type of Stiffener | C_w | C_f |
|--|-------|-------------------|
| Angle, L2 and L3 bars | 75 | 12 ⁽¹⁾ |
| T-bars | 75 | 12 |
| Bulb bars | 45 | - |
| Flat bars | 22 | - |
| Note | | |
| (1) : For an angle, L2 or L3 bar, $C_f = 22$ may be used if all other strength assessment without considering its flange is acceptable | | |

3.1.2 Net dimensions of angle and T-bars (2023)

The total flange breadth b_f in mm, for angle and T-bars is to satisfy the following criterion:

$$b_f \geq 0.2h_w$$

3.1.3 Bending stiffness of stiffeners

The net moment of inertia, in cm^4 , of the stiffener with the effective width of attached plate, about the neutral axis parallel to the attached plating, is not to be less than the minimum value given by:

$$I_{st} \geq C \ell^2 A_{eff} \frac{R_{eH}}{235}$$

where:

A_{eff} : Net sectional area of stiffener including effective attached plate, s_{eff} , in cm^2 .

R_{eH} : Specified minimum yield stress of the material of the attached plate, in N/mm^2 .

C : Slenderness coefficient taken as:

$C = 0.81$ for longitudinal stiffeners including sniped stiffeners.

$C = 0.72$ for other stiffeners.

4. Primary supporting members

4.1 Proportions and stiffness

4.1.1 Proportion of web plate and flange

The net thicknesses of the web plates and flanges of primary supporting members are to satisfy the following criteria:

a) Web plate:

$$t_w \geq \frac{s_w}{C_w} \sqrt{\frac{R_{eH}}{235}}$$

b) Flange:

$$t_f \geq \frac{b_{f-out}}{C_f} \sqrt{\frac{R_{eH}}{235}}$$

where:

s_w : Plate breadth, in mm, taken as the spacing of the web stiffeners.

C_w : Slenderness coefficient for the web plate taken as:

$$C_w = 100$$

C_f : Slenderness coefficient for the flange taken as:

$$C_f = 12$$

4.1.2 Deck transverse primary supporting members

The net moment of inertia for deck transverse primary supporting members, $I_{psm-n50}$, in cm^4 , supporting deck longitudinals subject to axial compressive hull girder stress, is to comply, within its central half of the bending span, with the following criterion:

$$I_{psm-n50} \geq 300 \frac{\ell_{bdg}^4}{S^3} I_{st}$$

where:

$I_{psm-n50}$: Net moment of inertia, in cm^4 , of deck transverse primary supporting member, with effective width of attached plate equal to $0.8S$.

ℓ_{bdg} : Effective bending span of deck transverse primary supporting member, in m, as defined in **Ch 3, Sec 7**.

S : Spacing of deck transverse primary supporting members, in m, as defined in **Ch 3, Sec 7**.

I_{st} : Moment of inertia of deck stiffeners within the central half of the bending span, in cm^4 , as given in [3.1.3].

4.2 Web stiffeners of primary supporting members

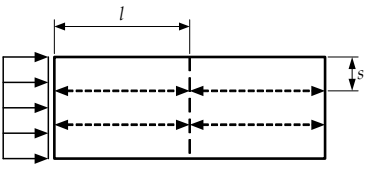
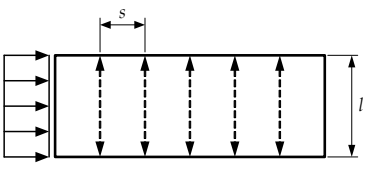
4.2.1 Proportions of web stiffeners

The net thickness of web and flange of web stiffeners fitted on primary supporting members is to satisfy the requirements specified in [3.1.1] and [3.1.2].

4.2.2 Bending stiffness of web stiffeners

The net moment of inertia, in cm^4 , of web stiffener, I_{st} , fitted on primary supporting members, with effective attached plate, s_{eff} , is not to be less than the minimum moment of inertia defined in Table 2.

Table 2 : Stiffness criteria for web stiffeners

| Stiffener arrangement | | Minimum moment of inertia of web stiffeners, in cm^4 |
|---|---|---|
| A | <p>Web stiffeners fitted along the PSM span</p>  | $I_{st} \geq C \ell^2 A_{eff} \frac{R_{eH}}{235}$ |
| B | <p>Web stiffeners fitted normal to the PSM span</p>  | $I_{st} \geq 1.14 \ell s^2 t_w \left(2.5 \frac{1000 \ell}{s} - 2 \frac{s}{1000 \ell} \right) \frac{R_{eH}}{235} 10^{-5}$ |
| <p>where:</p> <p>C : Slenderness coefficient to be taken as: $C=0.81$ for longitudinal stiffeners including sniped stiffeners. $C=0.72$ for other stiffeners.</p> <p>ℓ : Length of web stiffener, in m. For web stiffeners welded to local supporting members, the length is to be measured between the flanges of the local support members. For sniped web stiffeners, the length is to be measured between the lateral supports, e.g. the total distance between the flanges of the primary supporting member as shown for stiffener arrangement B.</p> <p>A_{eff} : Net section area of web stiffener including effective attached plate, s_{eff}, in cm^2.</p> <p>t_w : Net web thickness of the primary supporting member, in mm.</p> <p>R_{eH} : Specified minimum yield stress of the material of the web plate of the primary supporting member, in N/mm^2.</p> | | |

5. Brackets

5.1 Tripping brackets

5.1.1 Unsupported flange length

The unsupported length of the flange of the primary supporting member, in m, i.e. the distance between tripping brackets, is not to be greater than:

$$S_b = b_f C \sqrt{\frac{A_{f-n50}}{\left(A_{f-n50} + \frac{A_{w-n50}}{3}\right)}} \left(\frac{235}{R_{eH}}\right), \text{ but need not be less than } S_{b-\min}.$$

where:

b_f : Flange breadth of primary supporting members, in mm.

C : Slenderness coefficient taken as:

$C = 0.022$ for symmetrical flanges.

$C = 0.033$ for asymmetrical flanges.

A_{f-n50} : Net cross sectional area of flange, in cm^2 .

A_{w-n50} : Net cross sectional area of the web plate, in cm^2 .

R_{eH} : Specified minimum yield stress of the PSM material, in N/mm^2 .

$S_{b-\min}$: Minimum unsupported flange length taken as:

$S_{b-\min} = 3.0$ m for the cargo tank/hold region, on tank/hold boundaries or the hull envelope including external decks.

$S_{b-\min} = 4.0$ m for other areas.

5.1.2 Edge stiffening

Tripping brackets on primary supporting members are to be stiffened by a flange or edge stiffener if the effective length of the edge, ℓ_b as defined in **Table 3**, in mm, is greater than:

$$\ell_b = 75 t_b$$

where:

t_b : Bracket net web thickness, in mm.

5.2 End brackets

5.2.1 Proportions

The net web thickness of end brackets, in mm, subject to compressive stresses is not to be less than:

$$t_b = \frac{d_b}{C} \sqrt{\frac{R_{eH}}{235}}$$

where:

d_b : Depth of brackets, in mm, as defined in **Table 3**.

C : Slenderness coefficient as defined in **Table 3**.

R_{eH} : Specified minimum yield stress of the end bracket material, in N/mm^2 .

5.3 Edge reinforcement

5.3.1 Edge reinforcement of bracket edges

The depth of stiffener web, h_w in mm, of edge stiffeners in way of bracket edges is not to be less than:

$$h_w = C \ell_b \sqrt{\frac{R_{eH}}{235}} \text{ or } 50 \text{ mm, whichever is greater.}$$

where:

C : Slenderness coefficient taken as:

$C = 75$ for end brackets.

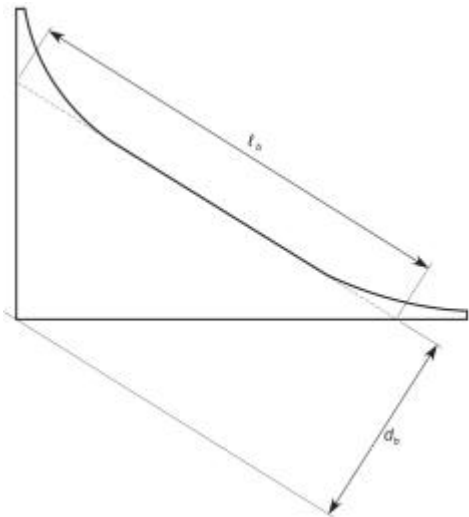
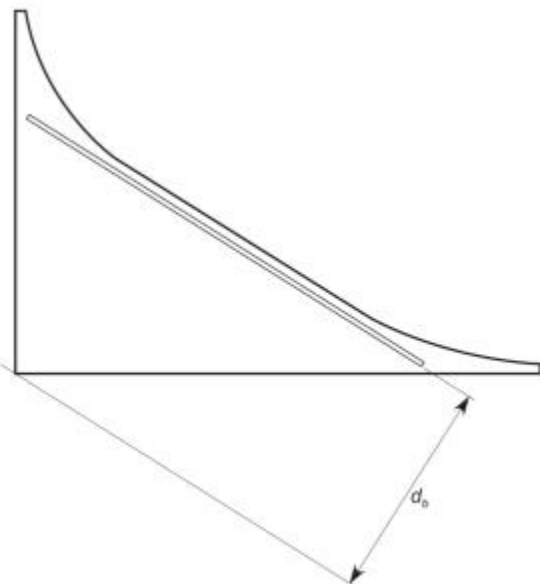
$C = 50$ for tripping brackets.

R_{eH} : Specified minimum yield stress of the end bracket material, in N/mm^2 .

5.3.2 Proportions of edge stiffeners

The net thickness of the web plate and flange of the edge stiffener is to satisfy the requirements specified in [3.1.1] and [3.1.2].

Table 3 : Buckling coefficient, C , for proportions of brackets

| Mode | C |
|--|---|
| <p data-bbox="475 324 842 358">Brackets without edge stiffener</p>  | $C = 20 \left(\frac{d_b}{l_b} \right) + 16$ <p data-bbox="1236 593 1316 627">where:</p> $0.25 \leq \frac{d_b}{l_b} \leq 1.0$ |
| <p data-bbox="491 907 826 940">Brackets with edge stiffener</p>  | $C = 70$ |

6. Other structures

6.1 Pillars

6.1.1 Proportions of I-section pillars

For I-sections, the thickness of the web plate and the flange thickness are to comply with requirements specified in [3.1.1] and [3.1.2].

6.1.2 Proportions of box section pillars

The thickness of thin walled box sections is to comply with the requirements specified in item (a) of [3.1.1].

6.1.3 Proportions of circular section pillars

The net thickness, t , of circular section pillars, in mm, is to comply with the following criterion:

$$t \geq \frac{r}{50}$$

where:

r : Mid thickness radius of the circular section, in mm.

6.2 Edge reinforcement in way of openings

6.2.1 Depth of edge stiffener

When fitted as shown in **Figure 2**, the depth of web, h_w in mm, of edge stiffeners in way of openings is not to be less than:

$$h_w = C \ell \sqrt{\frac{R_{eH}}{235}} \text{ or } 50 \text{ mm, whichever is greater.}$$

where:

C : Slenderness coefficient taken as:

$$C = 50$$

R_{eH} : Specified minimum yield stress of the edge stiffener material, in N/mm².

6.2.2 Proportions of edge stiffeners

The net thickness of the web plate and flange of the edge stiffener is to satisfy the requirements specified in [3.1.1] and [3.1.2].

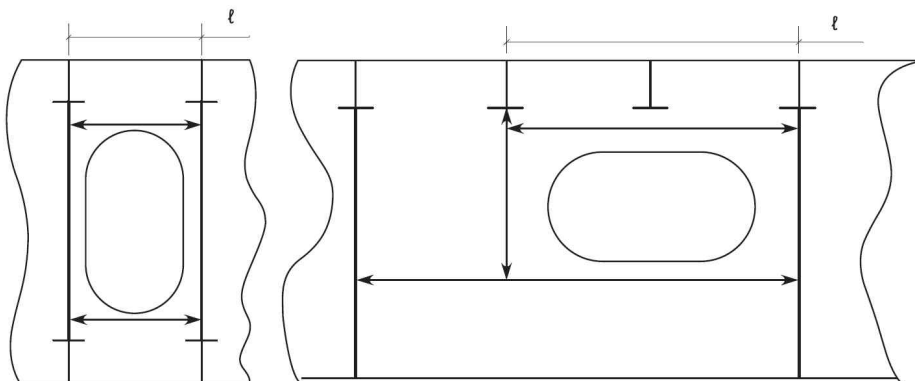


Figure 2 : Typical edge reinforcements

Section 3 – Prescriptive buckling requirements

Symbols

- η_{all} : Allowable buckling utilisation factor, as defined in **Ch 8, Sec 1, [3.3]**.
- EPP : Elementary Plate Panel as defined in **Ch 3, Sec 7, [2.1]**.
- LCP : Load calculation point as defined in **Ch 3, Sec 7, [2.2.2]** and **Ch 3, Sec 7, [3.2]**.

1. General

1.1 Scope

1.1.1

This section applies to plate panels including curved plate panels and stiffeners subject to hull girder compression and shear stresses. In addition the pillar subject to compressive stresses is to be checked.

1.1.2

The hull girder buckling strength requirements apply along the full length of the ship.

1.1.3 Design load sets

The buckling checks are to be performed for all design load sets defined in **Ch 6, Sec 2, [2]**, both in intact and in flooded conditions with pressure combination defined in **Ch 6, Sec 2, [1.3]**.

For each design load set, for all dynamic load cases, the lateral pressure is to be determined according to **Ch 4** at the load calculation point defined in **Ch 3, Sec 7**, and is to be applied together with the hull girder stress combinations given in **[2.2]**.

1.2 Equivalent plate panel

1.2.1

In longitudinal stiffening arrangement, when the plate thickness varies over the width b , of a plate panel, the buckling check is to be performed for an equivalent plate panel width, combined with the smaller plate thickness, t_1 . The width of this equivalent plate panel, b_{eq} , in mm, is defined by the following formula:

$$b_{eq} = l_1 + l_2 \left(\frac{t_1}{t_2} \right)^{1.5}$$

where:

- l_1 : Width of the part of the plate panel with the smaller net plate thickness, t_1 , in mm, as defined in **Figure 1**.
- l_2 : Width of the part of the plate panel with the smaller net plate thickness, t_2 , in mm, as defined in **Figure 1**.

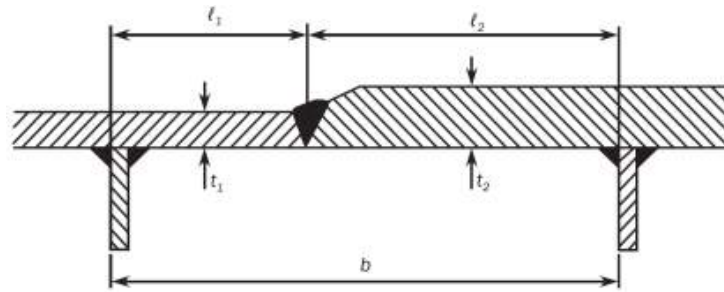


Figure 1 : Plate thickness change over the width

1.2.2

In transverse stiffening arrangement, when an EPP is made with different thicknesses, the buckling check of the plate and stiffeners is to be made for each thickness considered constant on the EPP, the stresses and pressures being estimated for the EPP at the LCP.

1.2.3

When the plate panel is made of different materials, the minimum yield strength is to be used for the buckling assessment.

2. Hull girder stress

2.1 General

2.1.1

The hull girder bending stresses, σ_{hg} in N/mm^2 , are determined according to **Ch 6, Sec 2**.

2.1.2

The hull girder shear stresses, τ_{hg} , in N/mm^2 , in the plate i are determined as follows:

$$\tau_{hg} = \frac{Q_{Tot}(x)q_{vi}}{t_{i-n50}} 10^3$$

where:

$Q_{Tot}(x)$: Total vertical shear force, in kN, at the ship longitudinal location x , taken as follows:

a) For the design load combination S+D

- For seagoing operations:

$$Q_{Tot}(x) = |Q_{sw} + Q_{wv-LC}|$$

b) For the design load combination S

- For harbour/sheltered water operations:

$$Q_{Tot}(x) = |Q_{sw-p}|$$

q_{vi} : Contribution ratio in way of the plate i , as defined in **Ch 5, Sec 1, [3.2.1]**.

t_{i-n50} : Net thickness of the plate i , in mm as defined in **Ch 5, Sec 1, [3.2.1]**, used for shear stress calculation.

Q_{sw} : Permissible positive or negative still water shear force for seagoing operation, in kN, at the hull transverse section considered, as defined in **Ch 4, Sec 4, [2.3.1]**.

Q_{sw-p} : Permissible positive or negative still water shear force for harbour/sheltered operation, in kN, at the hull transverse section considered, as defined in **Ch 4, Sec 4, [2.3.2]**.

Q_{wv-LC} : Vertical wave shear force in seagoing condition, in kN, in intact or flooded conditions at the

hull transverse section considered for the considered dynamic load case, defined in **Ch 4, Sec 4, [3.5.3]**.

2.2 Stress combinations

2.2.1

Each elementary plate panel and stiffeners are to satisfy the criteria defined in **[3]** with the following stress combinations:

a) Longitudinal stiffening arrangement:

- Stress combination 1 with:

$$\sigma_x = \sigma_{hg}$$

$$\sigma_y = 0$$

$$\tau = 0.7 \tau_{hg}$$

- Stress combination 2 with:

$$\sigma_x = 0.7 \sigma_{hg}$$

$$\sigma_y = 0$$

$$\tau = \tau_{hg}$$

b) Transverse stiffening arrangement:

- Stress combination 1 with:

$$\sigma_x = 0$$

$$\sigma_y = \sigma_{hg}$$

$$\tau = 0.7 \tau_{hg}$$

- Stress combination 2 with:

$$\sigma_x = 0$$

$$\sigma_y = 0.7 \sigma_{hg}$$

$$\tau = \tau_{hg}$$

where:

σ_{hg} : Hull girder bending stress in the elementary plate panel or stiffener, as defined in **[2.1.1]**, in N/mm².

τ_{hg} : Hull girder shear stress, in N/mm², in the elementary plate panel or stiffener attached plate as defined in **[2.1.2]**.

3. Buckling criteria

3.1 Overall stiffened panel

3.1.1

The buckling strength of overall stiffened panels is to satisfy the following criterion:

$$\eta_{Overall} \leq \eta_{all}$$

where:

$\eta_{Overall}$: Maximum utilisation factor as defined in **Ch 8, Sec 5, [2.1]**.

3.2 Plates

3.2.1

The buckling strength of elementary plate panels is to satisfy the following criterion:

$$\eta_{Plate} \leq \eta_{all}$$

where:

η_{Plate} : Maximum plate utilisation factor calculated according to SP-A, as defined in **Ch 8, Sec 5, [2.2]**.

3.3 Stiffeners

3.3.1

The buckling strength of stiffeners is to satisfy the following criterion:

$$\eta_{Stiffener} \leq \eta_{all}$$

where:

$\eta_{Stiffener}$: Maximum stiffener utilisation factor, as defined in **Ch 8, Sec 5, [2.3]**.

Note 1: This capacity check can only be fulfilled when the overall stiffened panel capacity, as defined in **[3.1.1]**, is satisfied.

3.4 Pillars

3.4.1

The compressive buckling strength of pillars is to satisfy the following criterion:

$$\eta_{Pillar} \leq \eta_{all}$$

where:

η_{Pillar} : Maximum buckling utilisation factor of pillars defined in **Ch 8, Sec 5, [3.1]**.

Section 4 – Buckling requirements for Direct Strength Analysis

Symbols

- η_{all} : Allowable buckling utilisation factor, as defined in **Ch 8, Sec 1, [3.3]**.
 α : Aspect ratio of the plate panel, defined in **Ch 8, Sec 5**.

1. General

1.1 Scope

1.1.1

The requirements of this Section apply for the buckling assessment of direct strength analysis subjected to compressive stress, shear stress and lateral pressure.

1.1.2

All structural elements in the FE analysis carried out according to **Ch 7** are to be assessed individually. The buckling checks have to be performed for the following structural elements:

- a) Stiffened and unstiffened panels, inclusive curved panels.
- b) Web plate in way of openings.
- c) Pillars.

2. Stiffened and unstiffened panels

2.1 General

2.1.1

The plate panel of hull structure is to be modelled as stiffened or unstiffened panel. Method A and Method B as defined in **Ch 8, Sec 1, [3]** are to be used according to **Figure 1** to **Figure 3**. In the figures, SP stands for stiffened panel and UP stands for unstiffened panel.

- For PSM web panels with one of the long edges along the face plate or along the attached plating without "in-line support", i.e. the edge is free to pull in, boundary condition B (SP-B or UP-B) shall be applied. In other cases boundary condition A (SP-A or UP-A) is applicable.
- Typically the short plate edge is attached to the plate flanges and boundary condition A (SP-A or UP-A) is applicable. However in case of one of the long edges is without "in-line support" and is free to pull in, boundary condition B (SP-B or UP-B) shall be applied.

2.1.2 Average thickness of plate panel

Where the plate thickness along a plate panel is not constant, the panel used for the buckling assessment is to be modelled according to **Ch 7** with a weighted average thickness taken as:

$$t_{avr} = \frac{\sum_1^n A_i t_i}{\sum_1^n A_i}$$

where:

- A_i : Area of the i -th plate element.

- t_i : Net thickness of the i -th plate element.
 n : Number of finite elements defining the buckling plate panel.

Table 1 : Structural members

| Structural elements | | Assessment method | Normal panel definition |
|--|---------------------------------------|-------------------|---|
| Longitudinal structure, see Figure 1 | | | |
| Longitudinal stiffened panels Shell envelope Deck/trunk deck Inner hull Longitudinal bulkheads | | SP-A | Length: between web frames Width: between primary supporting members |
| Double hull longitudinal girders or stringers in line with inner hull knuckle point | | SP-A | Length: between web frames Width: full web depth |
| Double hull longitudinal girders or stringers not in line with inner hull knuckle point | | SP-B | Length: between web frames Width: full web depth |
| Transverse structure, see Figure 2 | | | |
| Vertical web in double side | Regularly stiffened web between PSM | SP-B | Length: full web depth Width: between primary supporting members |
| | Irregularly stiffened web between PSM | UP-B | Plate between local stiffeners/face plate/PSM |
| Double bottom floors | | SP-B | Length: full web depth Width: between primary supporting members |
| Regularly stiffened web between inner deck and trunk deck | | SP-B | Length: full web depth Width: between primary supporting members |
| Irregularly stiffened panels, e.g. web panels in way of hopper tank and upper trunk structure | | UP-B | Plate between local stiffeners/face plate/PSM |
| Transverse watertight and cofferdam bulkhead, see Figure 3 | | | |
| Regularly stiffened bulkhead panels inclusive the secondary buckling stiffeners perpendicular to the regular stiffeners (such as carlings) | | SP-A | Length: between primary supporting members Width: between primary supporting members |
| Irregularly stiffened bulkhead panels, e.g. web panels in way of hopper tank and bilge | | UP-B | Plate between local stiffeners/face plate/PSM |

2.1.3 Yield stress of the plate panel

The panel yield stress R_{eH-P} is taken as the minimum value of the specified yield stresses of the elements within the plate panel.

2.2 Stiffened panels

2.2.1

If the stiffener properties or stiffener spacing varies within the stiffened panel, the calculations are to be performed separately for all configurations of the panels, i.e. for each stiffener and plate between the stiffeners. Plate thickness, stiffener properties and stiffener spacing at the considered location are to be assumed for the whole panel.

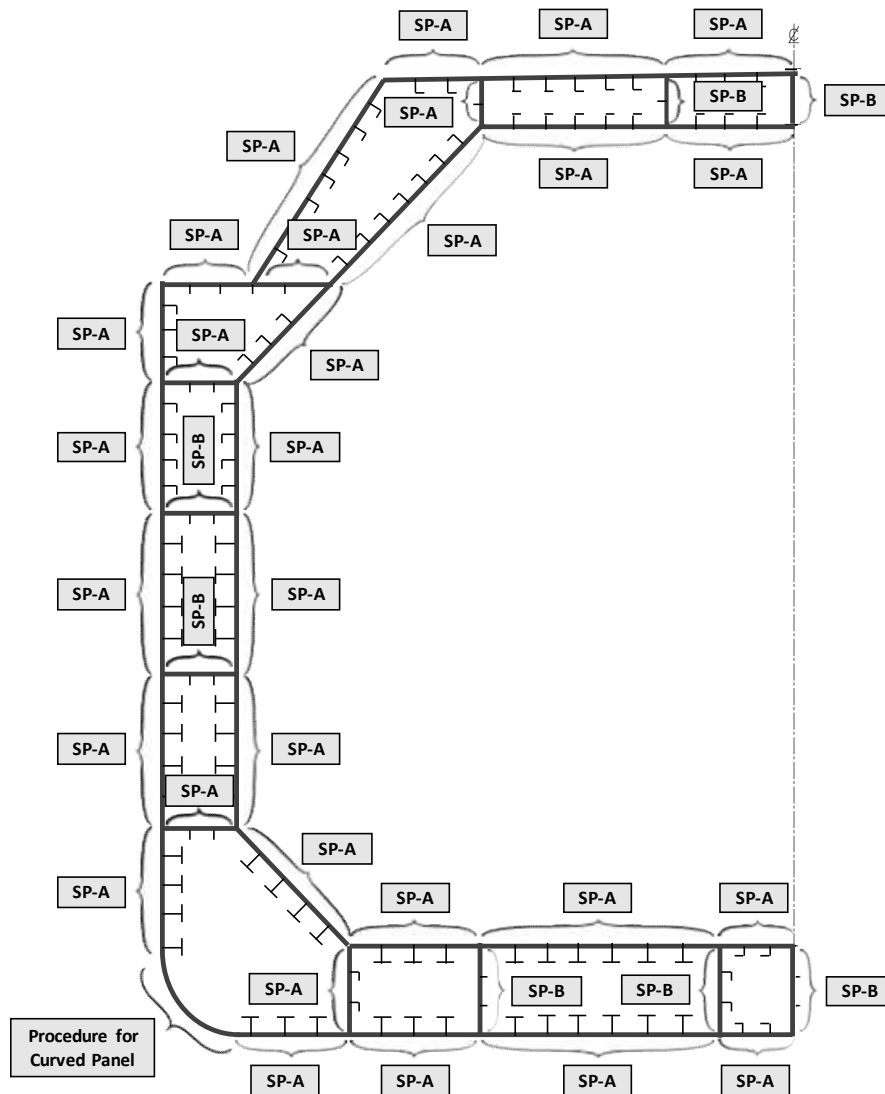


Figure 1 : Longitudinal plates for liquid natural gas carrier

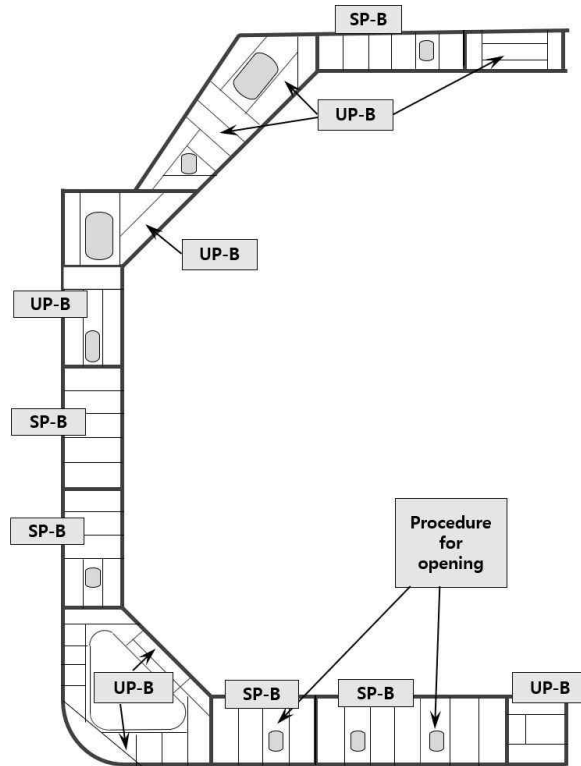


Figure 2 : Transverse web frames for liquid natural gas carrier (Partly shown) (2023)

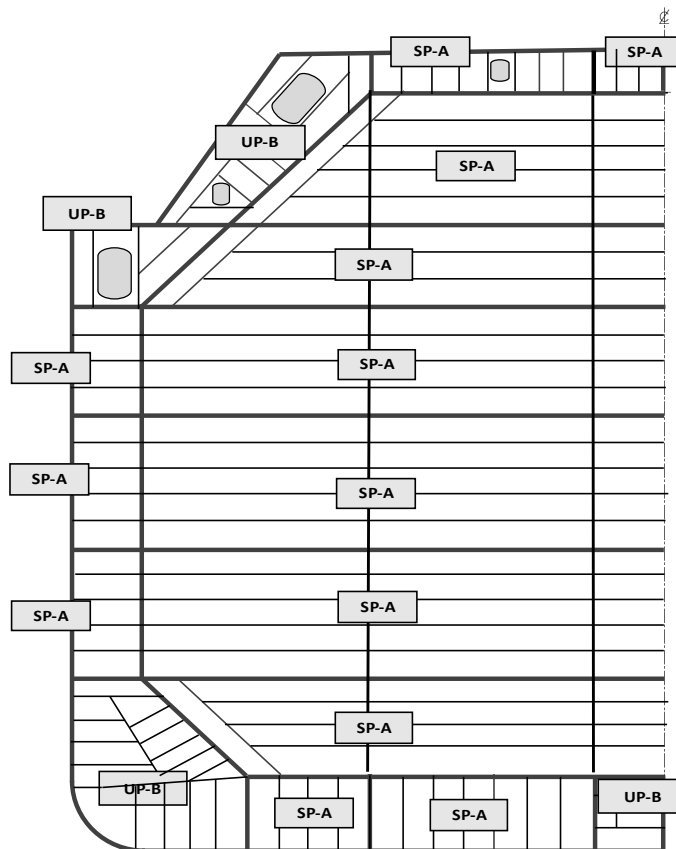


Figure 3 : Transverse bulkheads for liquid natural gas carrier

2.3 Unstiffened panels

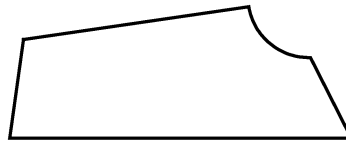
2.3.1 Irregular plate panel

In way of web frames, stringers and brackets, the geometry of the panel (i.e. plate bounded by web stiffeners/face plate) may not have a rectangular shape. In this case, an equivalent rectangular panel is to be defined according to [2.3.2] for irregular geometry and [2.3.3] for triangular geometry and to comply with buckling assessment.

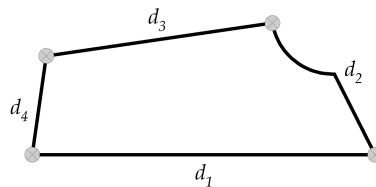
2.3.2 Modelling of an unstiffened panel with irregular geometry

Unstiffened panels with irregular geometry are to be idealised to equivalent panels for plate buckling assessment according to the following procedure:

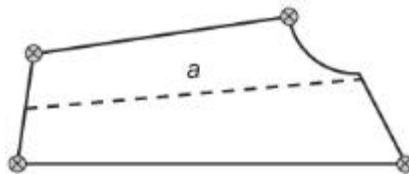
- a) The four corners closest to a right angle, 90 deg, in the bounding polygon for the plate are identified.



- b) The distances along the plate bounding polygon between the corners are calculated, i.e. the sum of all the straight line segments between the end points.



- c) The pair of opposite edges with the smallest total length is identified, i.e. minimum of $d_1 + d_3$ and $d_2 + d_4$.
- d) A line joins the middle points of the chosen opposite edges (i.e. a mid point is defined as the point at half the distance from one end). This line defines the longitudinal direction for the capacity model. The length of the line defines the length of the capacity model, a measured from one end point.



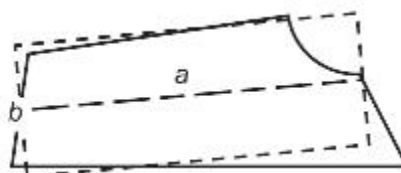
- e) The length of shorter side, b in mm, is to be taken as:

$$b = A/a$$

where:

A : Area of the plate, in mm^2 .

a : length defined in (d), in mm.

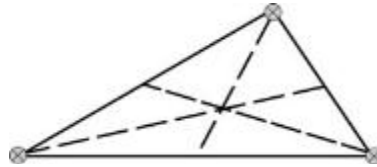


- f) The stresses from the direct strength analysis are to be transformed into the local coordinate system of the equivalent rectangular panel. These stresses are to be used for the buckling assessment.

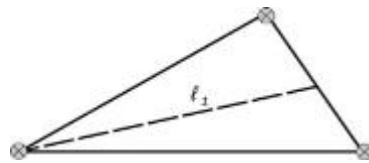
2.3.3 Modelling of an unstiffened plate panel with triangular geometry

Unstiffened panels with triangular geometry are to be idealised to equivalent panels for plate buckling assessment according to the following procedure:

- a) Medians are constructed as shown below.



- b) The longest median is identified. This median the length of which is l_1 in mm, defines the longitudinal direction for the capacity model.

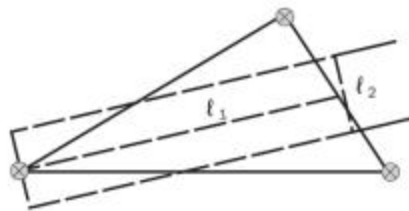


- c) The width of the model, l_2 , in mm, is to be taken as:

$$l_2 = A/l_1$$

where:

A : Area of the plate, in mm².



- d) The lengths of shorter side, b , and of the longer side, a , in mm, of the equivalent rectangular plate panel are to be taken as:

$$b = \frac{l_2}{C_{tri}}$$

$$a = l_1 C_{tri}$$

where:

$$C_{tri} = 0.4 \frac{l_2}{l_1} + 0.6$$

- e) The stresses from the direct strength analysis are to be transformed into the local coordinate system of the equivalent rectangular panel and are to be used for the buckling assessment of the equivalent rectangular panel.

2.4 Reference stress

2.4.1

The stress distribution is to be taken from the direct strength analysis and applied to the buckling model.

2.4.2

The reference stresses are to be calculated using the Stress based reference stresses as defined in **App 1**.

2.5 Lateral pressure

2.5.1

The lateral pressure applied to the direct strength analysis is also to be applied to the buckling assessment.

2.5.2

Where the lateral pressure is not constant over a buckling panel defined by a number of finite plate elements, an average lateral pressure, N/mm^2 , is calculated using the following formula:

$$P_{avr} = \frac{\sum_1^n A_i P_i}{\sum_1^n A_i}$$

where:

- A_i : Area of the i -th plate element, in mm^2 .
- P_i : Lateral pressure of the i -th plate element, in N/mm^2 .
- n : Number of finite elements in the buckling panel.

2.6 Buckling criteria

2.6.1 UP-A

The compressive buckling strength of UP-A is to satisfy the following criterion:

$$\eta_{UP-A} \leq \eta_{all}$$

where:

- η_{UP-A} : Maximum plate utilisation factor, calculated according to Method A as defined in **Ch 8, Sec 5, [2.2]**.

2.6.2 UP-B

The compressive buckling strength of UP-B is to satisfy the following criterion:

$$\eta_{UP-B} \leq \eta_{all}$$

where:

- η_{UP-B} : Maximum plate utilisation factor, calculated according to Method B as defined in **Ch 8, Sec 5, [2.2]**.

2.6.3 SP-A

The compressive buckling strength of SP-A is to satisfy the following criterion:

$$\eta_{SP-A} \leq \eta_{all}$$

where:

- η_{SP-A} : Maximum stiffened panel utilisation factor taken as the maximum of:
 - a) The overall stiffened panel capacity as defined in **Ch 8, Sec 5, [2.1]**.
 - b) The plate capacity calculated according to Method A as defined in **Ch 8, Sec 5, [2.2]**.
 - c) The stiffener buckling strength as defined in **Ch 8, Sec 5, [2.3]** considering separately the properties (thickness, dimensions), the pressures defined in **[2.5.2]** and the reference stresses of each EPP at both sides of the stiffener.

Note 1: The stiffener buckling capacity check can only be fulfilled when the overall stiffened panel capacity, as defined in **Ch 8, Sec 5, [2.1]**, is satisfied.

2.6.4 SP-B

The compressive buckling strength of SP-B is to satisfy the following criterion:

$$\eta_{SP-B} \leq \eta_{all}$$

where:

η_{SP-B} : Maximum stiffened panel utilisation factor taken as the maximum of:

- a) The overall stiffened panel capacity as defined in **Ch 8, Sec 5, [2.1]**.
- b) The plate capacity calculated according to Method B as defined in **Ch 8, Sec 5, [2.2]**.
- c) The stiffener buckling strength as defined in **Ch 8, Sec 5, [2.3]** considering separately the properties (thickness, dimensions), the pressures defined in **[2.5.2]** and the reference stresses of each EPP at both sides of the stiffener.

Note 1: The stiffener buckling capacity check can only be fulfilled when the overall stiffened panel capacity, as defined in **Ch 8, Sec 5, [2.1]**, is satisfied.

2.6.5 Web plate in way of openings

The web plate of primary supporting members with openings is to satisfy the following criterion:

$$\eta_{opening} \leq \eta_{all}$$

where:

$\eta_{opening}$: Maximum web plate utilisation factor in way of openings, as defined in **Ch 8, Sec 5, [2.4]**.

3. Pillars

3.1 Buckling criteria

3.1.1

The compressive buckling strength of pillars is to satisfy the following criterion:

$$\eta_{Pillar} \leq \eta_{all}$$

where:

η_{Pillar} : Maximum buckling utilisation factor of pillars defined in **Ch 8, Sec 5, [3.1]**.

Section 5 – Buckling capacity

Symbols

For symbols not defined in this section, refer to **Ch 1, Sec 4**.

- A_s : Net sectional area of the stiffener without attached plating, in mm².
- A_p : Net sectional area of stiffener attached plating, in mm², taken as: (2023)
 $A_p = s t_p$
- a : Length of the longer side of the plate panel, in mm.
- b : Length of the shorter side of the plate panel, in mm.
- b_{eff} : Effective width of the attached plating of a stiffener, in mm, as defined in **[2.3.5]**.
- b_{eff1} : Effective width of the attached plating of a stiffener, in mm, without the shear lag effect taken as:
- For $\sigma_x > 0$
 - For prescriptive assessment:

$$b_{eff1} = \frac{C_{x1}b_1 + C_{x2}b_2}{2}$$
 - For FE analysis:

$$b_{eff1} = C_x b$$
 - For $\sigma_x \leq 0$

$$b_{eff1} = b$$
- b_f : Breadth of the stiffener flange, in mm.
- b_1, b_2 : Width of plate panel on each side of the considered stiffener, in mm.
- C_{x1}, C_{x2} : Reduction factor defined in **Table 3** calculated for the EPP1 and EPP2 on each side of the considered stiffener according to case 1.
- d : Length of the side parallel to the axis of the cylinder corresponding to the curved plate panel as shown in **Table 4**, in mm.
- d_e : Distance from upper edge of web to the top of the flange, in mm, as defined in **Ch 3, Sec 2, Figure 3**.
- e_f : Distance from attached plating to centre of flange, in mm, to be taken as:
- | | |
|-----------------------------|---------------------------------|
| $e_f = h_w,$ | for flat bar profile. |
| $e_f = h_w - 0.5t_f,$ | for bulb profile. |
| $e_f = h_w + 0.5t_f,$ | for angle, L2 and Tee profiles. |
| $e_f = h_w - d_e - 0.5t_f,$ | for L3 profile. |
- F_{long} : Coefficient defined in **[2.2.4]**.
- F_{tran} : Coefficient defined in **[2.2.5]**.
- h_w : Depth of Stiffener web, in mm, as shown in **Figure 1**.
- ℓ : Span, in mm, of stiffener equal to the spacing between primary supporting members.
- R : Radius of curved plate panel, in mm.
- $R_{eH.P}$: Specified minimum yield stress of the plate, in N/mm².

- $R_{cH.S}$: Specified minimum yield stress of the stiffener, in N/mm².
- S : Partial safety factor to be taken as:
- $S=1.1$ for structures which are exposed to local concentrated loads.
 - $S=1.0$ for all other cases.
- t_p : Net thickness of plate panel, in mm.
- t_w : Net stiffener web thickness, in mm.
- t_f : Net flange thickness, in mm.
- x_{axis} : Local axis of a rectangular buckling panel parallel to its long edge.
- y_{axis} : Local axis of a rectangular buckling panel perpendicular to its long edge.
- α : Aspect ratio of the plate panel, defined in **Table 3** to be taken as: $\alpha = a/b$.
- β : Coefficient taken as: $\beta = \frac{1-\psi}{\alpha}$.
- w : Coefficient taken as: $w = \min(3;\alpha)$.
- σ_x : Stress applied on the edge along x axis of the buckling panel, in N/mm².
- σ_y : Stress applied on the edge along y axis of the buckling panel, in N/mm².
- σ_1 : Maximum stress, in N/mm².
- σ_2 : Minimum stress, in N/mm².
- σ_E : Elastic buckling reference stress, in N/mm² to be taken as:
- For the application of plate limit state according to **[2.2.1]**:

$$\sigma_E = \frac{\pi^2 E}{12(1-\nu^2)} \left(\frac{t_p}{b} \right)^2$$
 - For the application of curved plate panels according to **[2.2.6]**:

$$\sigma_E = \frac{\pi^2 E}{12(1-\nu^2)} \left(\frac{t_p}{d} \right)^2$$
- τ : Applied shear stress, in N/mm².
- τ_c : Buckling strength in shear, in N/mm², as defined in **[2.2.3]**.
- ψ : Edge stress ratio to be taken as: $\psi = \frac{\sigma_2}{\sigma_1}$
- γ : Stress multiplier factor acting on loads. When the factor is such that the loads reach the interaction formulae, $\gamma = \gamma_c$.
- γ_c : Stress multiplier factor at failure.
- γ_{GEB} : Stress multiplier factor of global elastic buckling capacity. (2023)

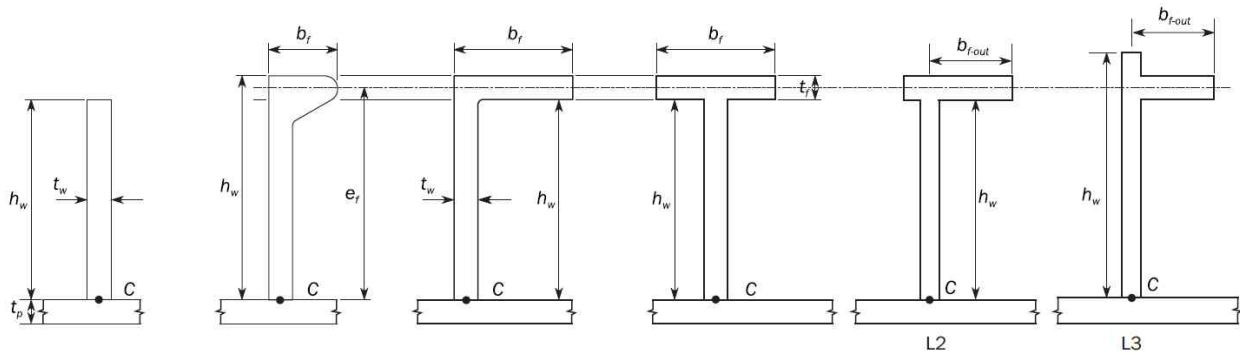


Figure 1 : Stiffener cross sections

1. General

1.1 Scope

1.1.1

This section contains the methods for determination of the buckling capacity of plate panels, stiffeners, primary supporting members and pillars.

1.1.2

For the application of this section, the stresses σ_x , σ_y and τ applied on the structural members are defined in:

- Ch 8, Sec 3 for prescriptive requirements.
- Ch 8, Sec 4 for FE analysis requirements.

1.1.3 Ultimate buckling capacity

The ultimate buckling capacity is calculated by applying the actual stress combination and then increasing or decreasing the stresses proportionally until the interaction formulae defined in [2.1.1], [2.2.1], and [2.3.4] are equal to 1.0.

1.1.4 Buckling utilisation factor

The buckling utilisation factor of the structural member is equal to the highest utilisation factor obtained for the different buckling modes.

1.1.5 Lateral pressure

The lateral pressure is to be considered as constant in the buckling strength assessment.

2. Buckling capacity of plates and stiffeners

2.1 Overall stiffened panel capacity

2.1.1 (2023)

The elastic stiffened panel limit state is based on the following interaction formula, which sets a precondition for the buckling check of stiffeners in accordance with [2.3.4]:

$$\frac{\gamma}{\gamma_{GEB}} = 1$$

where the stress multiplier factor corresponding to global elastic buckling capacity, γ_{GEB} , is to be calculated based on the following formulae:

$$\begin{aligned}\gamma_{GEB} &= \gamma_{GEB,bi+\tau} && \text{for } \tau \neq 0 \text{ and } (\sigma_x > 0 \text{ or } \sigma_y > 0) \\ \gamma_{GEB} &= \gamma_{GEB,bi} && \text{for } \tau = 0 \text{ and } (\sigma_x > 0 \text{ or } \sigma_y > 0) \\ \gamma_{GEB} &= \gamma_{GEB,\tau} && \text{for } \tau \neq 0 \text{ and } (\sigma_x \leq 0 \text{ and } \sigma_y \leq 0)\end{aligned}$$

where $\gamma_{GEB,bi+\tau}$, $\gamma_{GEB,bi}$ and $\gamma_{GEB,\tau}$ are stress multiplier factors of the global elastic buckling capacity for different load combinations as defined in [2.1.2], [2.1.3] and [2.1.4], respectively. For the calculation of $\gamma_{GEB,bi+\tau}$, $\gamma_{GEB,bi}$ and $\gamma_{GEB,\tau}$, neither σ_x nor σ_y shall be taken less than 0.

σ_x, σ_y : Applied normal stresses to the plate, in N/mm². to be taken as defined in [2.2.7].

τ : Applied shear stress, in N/mm². to be taken as defined in [2.2.7].

2.1.2 (2023)

The stress multiplier factor $\gamma_{GEB,bi}$ for the stiffened panel subjected to biaxial loads is taken as:

$$\gamma_{GEB,bi} = \frac{\pi^2}{L_{B1}^2 L_{B2}^2} \frac{[D_{11}L_{B2}^4 + 2(D_{12} + D_{33})n^2 L_{B1}^2 L_{B2}^2 + n^4 D_{22}L_{B1}^4]}{L_{B2}^2 N_x + n^2 L_{B1}^2 N_y}$$

where:

N_x : Load per unit length applied on the edge along x axis of the stiffened panel, in N/mm, taken as

$$N_x = \sigma_{x,av}(A_p + A_s)/s$$

N_y : Load per unit length applied on the edge along y axis of the stiffened panel, in N/mm, taken as:

$$N_y = c \sigma_y t_p$$

L_{B1} : Stiffener span, in mm, equal to spacing between primary supporting members, i.e. $L_{B1} = \ell$
For vertically stiffened side shell of single side skin bulk carriers, $L_{B1} = 0.8\ell$

L_{B2} : Width of the stiffened panel, in mm, taken as 6 times of the stiffener spacing, i.e. 6s

n : Number of half waves along the direction perpendicular to the stiffener axis. The factor $\gamma_{GEB,bi}$ is to be minimized with respect to the wave parameter n , i.e. to be taken as the smallest value larger than zero.

c : Factor taking into account the stresses in the attached plating acting perpendicular to the stiffener axis:

$$c = 0.5(1 + \psi) \quad \text{for } 0 \leq \psi < 1$$

$$c = \frac{1}{2(1 - \psi)} \quad \text{for } \psi < 0$$

ψ : Edge stress ratio for **case 2** according to **Table 3**.

$\sigma_{x,av}$: Average stress, in N/mm², for both plate and stiffener with Poisson correction, taken as:

$$\sigma_{x,av} = \sigma_x - \nu c \sigma_y A_s / (A_p + A_s) \geq 0 \quad \text{for } \sigma_x > 0 \text{ and } \sigma_y > 0$$

$$\sigma_{x,av} = \sigma_x \quad \text{for } \sigma_x \leq 0 \text{ or } \sigma_y \leq 0$$

$D_{11}, D_{12}, D_{22}, D_{33}$: Bending stiffness coefficients, in Nmm, of the stiffened panel, defined in general as:

$$D_{11} = \frac{EI_{eff}10^4}{s}$$

$$D_{12} = \frac{Et_p^3 \nu}{12(1 - \nu^2)}$$

$$D_{22} = \frac{Et_p^3}{12(1 - \nu^2)}$$

$$D_{33} = \frac{Et_p^3}{12(1+\nu)}$$

I_{eff} : Moment of inertia, in cm^4 , of the stiffener including effective width of attached plating, the same as I defined in [2.3.4].

2.1.3 (2023)

The stress multiplier factor $\gamma_{GEB,\tau}$ for the stiffened panel subjected to pure shear load is taken as:

$$\gamma_{GEB,\tau} = \frac{\sqrt[4]{D_{11}^3 D_{22}}}{(L_{B1}/2)^2 N_{xy}} \left[8.125 + 5.64 \sqrt{\frac{(D_{12} + D_{33})^2}{D_{11} D_{22}}} - 0.6 \frac{(D_{12} + D_{33})^2}{D_{11} D_{22}} \right]$$

for $D_{11} D_{22} \geq (D_{12} + D_{33})^2$

$$\gamma_{GEB,\tau} = \frac{\sqrt{2D_{11}(D_{12} + D_{33})}}{(L_{B1}/2)^2 N_{xy}} \left[8.3 + 1.525 \frac{D_{11} D_{22}}{(D_{12} + D_{33})^2} - 0.493 \frac{D_{11}^2 D_{22}^2}{(D_{12} + D_{33})^4} \right]$$

for $D_{11} D_{22} < (D_{12} + D_{33})^2$

where

$$N_{xy} = \tau t_p$$

2.1.4 (2023)

The stress multiplier factor $\gamma_{GEB,bi+\tau}$ for the stiffened panel subjected to combined loads is taken as:

$$\gamma_{GEB,bi+\tau} = \frac{1}{2} \gamma_{GEB,\tau}^2 \left[-\frac{1}{\gamma_{GEB,bi}} + \sqrt{\frac{1}{\gamma_{GEB,bi}^2} + 4 \frac{1}{\gamma_{GEB,\tau}^2}} \right]$$

where $\gamma_{GEB,bi}$ and $\gamma_{GEB,\tau}$ are as defined in [2.1.2] and [2.1.3], respectively.

2.2 Plate panel

2.2.1 Plate limit state

The plate limit state is based on the following interaction formulae:

$$\left(\frac{\gamma_{c1} \sigma_x S}{\sigma'_{cx}} \right)^{\epsilon_0} - B \left(\frac{\gamma_{c1} \sigma_x S}{\sigma'_{cx}} \right)^{\epsilon_0/2} \left(\frac{\gamma_{c1} \sigma_y S}{\sigma'_{cy}} \right)^{\epsilon_0/2} + \left(\frac{\gamma_{c1} \sigma_y S}{\sigma'_{cy}} \right)^{\epsilon_0} + \left(\frac{\gamma_{c1} |\tau| S}{\tau_c} \right)^{\epsilon_0} = 1$$

$$\left(\frac{\gamma_{c2} \sigma_x S}{\sigma'_{cx}} \right)^{2/\beta_p^{0.25}} + \left(\frac{\gamma_{c2} |\tau| S}{\tau_c} \right)^{2/\beta_p^{0.25}} = 1 \quad \text{for } \sigma_x \geq 0$$

$$\left(\frac{\gamma_{c3} \sigma_y S}{\sigma'_{cy}} \right)^{2/\beta_p^{0.25}} + \left(\frac{\gamma_{c3} |\tau| S}{\tau_c} \right)^{2/\beta_p^{0.25}} = 1 \quad \text{for } \sigma_y \geq 0$$

$$\frac{\gamma_{c4} |\tau| S}{\tau_c} = 1$$

with

$$\gamma_c = \min(\gamma_{c1}, \gamma_{c2}, \gamma_{c3}, \gamma_{c4})$$

where:

σ_x, σ_y : Applied normal stress to the plate panel, in N/mm^2 , to be taken as defined in [2.2.7].

τ : Applied shear stress to the plate panel, in N/mm^2 .

σ'_{cx} : Ultimate buckling stress, in N/mm^2 in direction parallel to the longer edge of the buckling panel as defined in [2.2.3].

σ'_{cy} : Ultimate buckling stress, in N/mm^2 in direction parallel to the shorter edge of the buckling

panel as defined in [2.2.3].

τ'_c : Ultimate buckling shear stress, in N/mm², as defined in [2.2.3].

$\gamma_{c1}, \gamma_{c2}, \gamma_{c3}, \gamma_{c4}$: Stress multiplier factors at failure for each of the above different limit states. γ_{c2} and γ_{c3} are only to be considered when $\sigma_x \geq 0$ and $\sigma_y \geq 0$ respectively.

B : Coefficient given in Table 1.

e_0 : Coefficient given in Table 1.

β_p : Plate slenderness parameter taken as:

$$\beta_p = \frac{b}{t_p} \sqrt{\frac{R_{eH.P}}{E}}$$

Table 1 : Definition of coefficients B and e_0

| Applied Stress | B | e_0 |
|---|-----------------------------|--------------------|
| $\sigma_x \geq 0$ and $\sigma_y \geq 0$ | $0.7 - 0.3\beta_p/\alpha^2$ | $2/\beta_p^{0.25}$ |
| $\sigma_x < 0$ or $\sigma_y < 0$ | 1.0 | 2.0 |

2.2.2 Reference degree of slenderness

The reference degree of slenderness is to be taken as:

$$\lambda = \sqrt{\frac{R_{eH.P}}{K\sigma_E}}$$

where:

K : Buckling factor, as defined in Table 3 and Table 4.

2.2.3 Ultimate buckling stresses

The ultimate buckling stress of plate panels, in N/mm², is to be taken as:

$$\sigma'_{cx} = C_x R_{eH.P}$$

$$\sigma'_{cy} = C_y R_{eH.P}$$

The ultimate buckling stress of plate panels subject to shear, in N/mm², is to be taken as:

$$\tau'_c = C_\tau \frac{R_{eH.P}}{\sqrt{3}}$$

where:

C_x, C_y, C_τ : Reduction factors, as defined in Table 3.

- For the 1st Equation of [2.2.1], when $\sigma_x < 0$ or $\sigma_y < 0$, the reduction factors are to be taken as:

$$C_x = C_y = C_\tau = 1.$$

- For the other cases:

- For SP-A and UP-A, C_y is calculated according to Table 3 by using

$$c_1 = \left(1 - \frac{1}{\alpha}\right) \geq 0$$

- For SP-B and UP-B, C_y is calculated according to Table 3 by using

$$c_1 = 1$$

The boundary conditions for plates are to be considered as simply supported, see cases 1, 2 and 15 of Table 3. If the boundary conditions differ significantly from simple support, a more appropriate boundary condition can be applied according to the different cases of Table 3 subject to the agreement of the

Society.

2.2.4 Correction Factor F_{long}

The correction factor, F_{long} depending on the edge stiffener types on the longer side of the buckling panel is defined in **Table 2**. An average value of F_{long} is to be used for plate panels having different edge stiffeners. For stiffener types other than those mentioned in **Table 2**, the value of c is to be agreed by the Society. In such a case, value of c higher than those mentioned in **Table 2** can be used, provided it is verified by buckling strength check of panel using non-linear FE analysis and deemed appropriate by the Society.

Table 2 : Correction Factor (F_{long})

| Structural element types | | F_{long} | c | |
|--------------------------|--|-------------------------|---|------|
| Unstiffened Panel | | 1.0 | N/A | |
| Stiffened Panel | Stiffener not fixed at both ends | 1.0 | N/A | |
| | Stiffener fixed at both ends | Flat bar ⁽¹⁾ | $F_{long} = c + 1 \quad \text{for } \frac{t_w}{t_p} > 1$ $F_{long} = c \left(\frac{t_w}{t_p} \right)^3 + 1 \quad \text{for } \frac{t_w}{t_p} \leq 1$ | 0.10 |
| | | Bulb profile | | 0.30 |
| | | Angle L2 and L3 profile | | 0.40 |
| | | T profile | | 0.30 |
| | Girder of high rigidity (e.g. bottom transverse) | 1.4 | N/A | |

⁽¹⁾ t_w is the net web thickness, in mm, without the correction defined in **[2.3.2]**.

2.2.5 Correction factor F_{tran}

The correction factor F_{tran} is to be taken as:

$$F_{tran} = 1$$

2.2.6 Curved plate panels

This requirement for curved plate limit state is applicable when $R/t_p \leq 2500$. Otherwise, the requirement for plate limit state given in **[2.2.1]** is applicable.

The curved plate limit state is based on the following interaction formula:

$$\left(\frac{\gamma_c \sigma_{ax} S}{C_{ax} R_{eH.p}} \right)^{1.25} - 0.5 \left(\frac{\gamma_c \sigma_{ax} S}{C_{ax} R_{eH.p}} \right) \left(\frac{\gamma_c \sigma_{tg} S}{C_{tg} R_{eH.p}} \right) + \left(\frac{\gamma_c \sigma_{tg} S}{C_{tg} R_{eH.p}} \right)^{1.25} + \left(\frac{\gamma_c \tau \sqrt{3} S}{C_\tau R_{eH.p}} \right)^2 = 1.0$$

where:

σ_{ax} : Applied axial stress to the cylinder corresponding to the curved plate panel, in N/mm². In case of tensile axial stresses, $\sigma_{ax} = 0$.

σ_{tg} : Applied tangential stress to the cylinder corresponding to the curved plate panel, in N/mm². In case of tensile tangential stresses, $\sigma_{tg} = 0$.

C_{ax} , C_{tg} , C_τ : Reduction factor of the curved plate panel, as defined in **Table 4**.

The stress multiplier factor, γ_c of the curved plate panel needs not be taken less than the stress multiplier factor, γ_c for the expanded plane panel according to **[2.2.1]**.

2.2.7 Applied normal stress to plate panel (2023)

The normal stress, σ_x and σ_y , in N/mm², to be applied for the overall stiffened panel capacity and the

plate panel capacity calculation as given in [2.1.1] and [2.2.1] respectively, are to be taken as follows:

- For FE analysis, the reference stresses as defined in **Ch 8, Sec 4, [2.4]**.
- For prescriptive assessment of the overall stiffened panel capacity and the plate panel capacity, the axial or transverse compressive stresses calculated according to **Ch 8, Sec 3, [2.2.1]**, at load calculation points of the considered elementary plate panel, as defined in **Ch 3, Sec 7, [2]**.
- For grillage analysis where the stresses are obtained based on beam theory, the stresses taken as:

$$\sigma_x = \frac{\sigma_{xb} + \nu\sigma_{yb}}{1 - \nu^2}$$

$$\sigma_y = \frac{\sigma_{yb} + \nu\sigma_{xb}}{1 - \nu^2}$$

where:

σ_{xb}, σ_{yb} : Stress, in N/mm², from grillage beam analysis respectively along x or y axis of the plate attached the PSM web.

The shear stress τ , in N/mm², to be applied for of the overall stiffened panel capacity and the plate panel capacity calculation as given in [2.1.1] and [2.2.1] respectively, are to be taken as follows

- For FE analysis, the reference shear stresses as defined in **Ch 8, Sec 4, [2.4]**.
- For prescriptive assessment of the plate panel capacity, the shear stresses calculated according to **Ch 8, Sec 3, [2.2.1]**, at load calculation points of the considered elementary plate panel, as defined in **Ch 3, Sec 7, [2]**.
- For prescriptive assessment of the overall stiffened panel capacity, the shear stresses calculated according to **Ch 8, Sec 3, [2.2.1]**, at the following load calculation point:
 - At the middle of the full span, ℓ , of the considered stiffener.
 - At the intersection point between the stiffener and its attached plating.
- For grillage beam analysis, $\tau = 0$ in the plate attached the PSM web.

Table 3 : Buckling Factor and reduction factor for plane plate panels

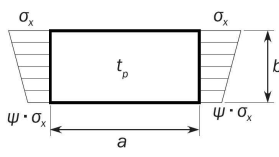
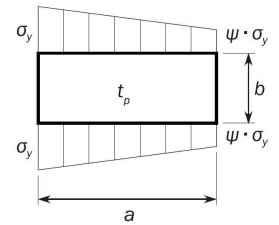
| Case | Stress ratio ψ | Aspect ratio α | Buckling factor K | Reduction factor C |
|--|----------------------|-----------------------|---|--|
| <p>1</p>  | $1 \geq \psi \geq 0$ | | $K_x = F_{long} \frac{8.4}{\psi + 1.1}$ | When $\sigma_x \leq 0$: $C_x = 1$ |
| | $0 > \psi > -1$ | | $K_x = F_{long} [7.63 - \psi(6.26 - 10\psi)]$ | When $\sigma_x > 0$: $C_x = 1$ for $\lambda \leq \lambda_c$ $C_x = c \left(\frac{1}{\lambda} - \frac{0.22}{\lambda^2} \right)$ for $\lambda > \lambda_c$ |
| | $\psi \leq -1$ | | $K_x = F_{long} [5.975(1 - \psi)^2]$ | where : $c = (1.25 - 0.12\psi) \leq 1.25$ $\lambda_c = \frac{c}{2} \left(1 + \sqrt{1 - \frac{0.88}{c}} \right)$ |
| <p>2</p>  | $1 \geq \psi \geq 0$ | $\alpha \leq 6$ | $K_y = F_{tran} \frac{2 \left(1 + \frac{1}{\alpha^2} \right)^2}{1 + \psi + \frac{(1-\psi)}{100} \left(\frac{2.4}{\alpha^2} + 6.9 f_1 \right)}$ | When $\sigma_y \leq 0$: $C_y = 1$ when $\sigma_y > 0$ $C_y = c \left(\frac{1}{\lambda} - \frac{R + F^2(H - R)}{\lambda^2} \right)$ |
| | | $\alpha > 6$ | $f_1 = (1 - \psi)(\alpha - 1)$ $f_1 = 0.6 \left(1 - \frac{6\psi}{\alpha} \right) \left(\alpha + \frac{14}{\alpha} \right)$, But not greater than $14.5 - \frac{0.35}{\alpha^2}$ | where: $c = (1.25 - 0.12\psi) \leq 1.25$ $R = \lambda(1 - \lambda/c)$ for $\lambda < \lambda_c$ $R = 0.22$ for $\lambda \geq \lambda_c$ $\lambda_c = 0.5c(1 + \sqrt{1 - 0.88/c})$ $F = \left[1 - \left(\frac{K}{0.91} - 1 \right) / \lambda_p^2 \right] c_1 \geq 0$ $\lambda_p^2 = \lambda^2 - 0.5$ for $1 \leq \lambda_p^2 \leq 3$ $c_1 = \left(1 - \frac{1}{\alpha} \right) \geq 0$ $H = \lambda - \frac{2\lambda}{c(T + \sqrt{T^2 - 4})} \geq R$ $T = \lambda + \frac{14}{15\lambda} + \frac{1}{3}$ |

Table 3 : Buckling Factor and reduction factor for plane plate panels

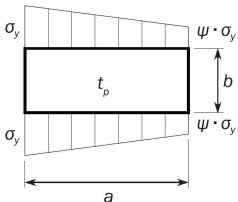
| Case | Stress ratio ψ | Stress ratio ψ and Buckling factor K | Reduction factor C |
|--|---|---|----------------------|
| <p>2</p>  | $0 > \psi \geq 1 - \frac{4\alpha}{3}$ | $K_y = \frac{200 F_{tran} (1 + \beta^2)^2}{(1 - f_3) (100 + 2.4\beta^2 + 6.9 f_1 + 23 f_2)}$ | |
| | | Stress ratio $\psi : \alpha > 6(1 - \psi)$ | |
| | | $f_1 = 0.6 \left(\frac{1}{\beta} + 14\beta \right),$ <p>But not greater than $14.5 - 0.35\beta^2$</p> $f_2 = f_3 = 0$ | |
| | | Stress ratio $\psi : 3(1 - \psi) \leq \alpha \leq 6(1 - \psi)$ | |
| | | $f_1 = \frac{1}{\beta} - 1$ $f_2 = f_3 = 0$ | |
| | | Stress ratio $\psi :$ $1.5(1 - \psi) \leq \alpha < 3(1 - \psi)$ | |
| | | $f_1 = \frac{1}{\beta} - (2 - w\beta)^4 - 9(w\beta - 1) \left(\frac{2}{3} - \beta \right)$ $f_2 = f_3 = 0$ | |
| | | Stress ratio $\psi : 1 - \psi \leq \alpha < 1.5(1 - \psi)$ | |
| | | <ul style="list-style-type: none"> For $\alpha > 1.5$: $f_1 = 2 \left(\frac{1}{\beta} - 16 \left(1 - \frac{\omega}{3} \right)^4 \right) \left(\frac{1}{\beta} - 1 \right)$ $f_2 = 3\beta - 2$ $f_3 = 0$ For $\alpha \leq 1.5$: $f_1 = 2 \left(\frac{1.5}{1 - \psi} - 1 \right) \left(\frac{1}{\beta} - 1 \right)$ $f_2 = \frac{\psi(1 - 16f_4^2)}{1 - \alpha}$ $f_3 = 0$ $f_4 = (1.5 - \text{Min}(1.5; \alpha))^2$ | |
| | | Stress ratio $\psi : 0.75(1 - \psi) \leq \alpha < 1 - \psi$ | |
| $f_1 = 0$ $f_2 = 1 + 2.31(\beta - 1) - 48(4/3 - \beta)f_4^2$ $f_3 = 3f_4(\beta - 1) \left(\frac{f_4}{1.81} - \frac{\alpha - 1}{1.31} \right)$ $f_4 = (1.5 - \text{Min}(1.5; \alpha))^2$ | | | |
| $\psi < 1 - \frac{4\alpha}{3}$ | $K_y = 5.972 F_{tran} \frac{\beta^2}{1 - f_3}$ $f_3 = f_5 \left(\frac{f_5}{1.81} + \frac{1 + 3\psi}{5.24} \right)$ $f_5 = \frac{9}{16} (1 + \text{Max}(-1; \psi))^2$ | | |

Table 3 : Buckling Factor and reduction factor for plane plate panels (continued) (2023)

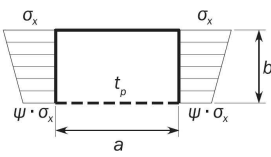
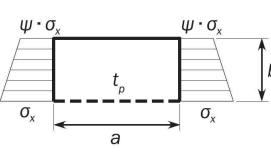
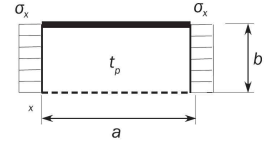
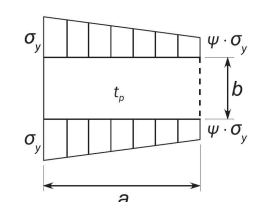
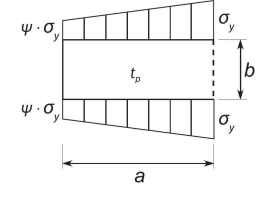
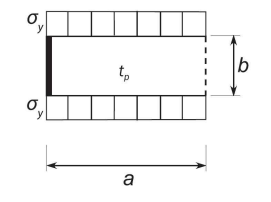
| Case | Stress ratio ψ | Aspect ratio α | Buckling factor K | Reduction factor C |
|--|-----------------------|-----------------------|---|--|
| 3  | $1 \geq \psi \geq 0$ | | $K_x = \frac{4(0.425 + 1/\alpha^2)}{3\psi + 1}$ | |
| | $0 > \psi \geq -1$ | | $K_x = 4(0.425 + 1/\alpha^2)(1 + \psi) - 5\psi(1 - 3.42\psi)$ | |
| 4  | $1 \geq \psi \geq -1$ | | $K_x = \left(0.425 + \frac{1}{\alpha^2}\right) \frac{3 - \psi}{2}$ | For UP-A $C_x = 1$ for $\lambda \leq 0.75$ $C_x = \frac{0.75}{\lambda}$ for $\lambda > 0.75$ For UP-B $C_x = 1$ for $\lambda \leq 0.7$ $C_x = \frac{1}{\lambda^2 + 0.51}$ for $\lambda > 0.7$ |
| | | | | |
| 5  | - | $\alpha \geq 1.64$ | $K_x = 1.28$ | |
| | | $0 < \alpha < 1.64$ | $K_x = \frac{1}{\alpha^2} + 0.56 + 0.13\alpha^2$ | |
| 6  | $1 \geq \psi \geq 0$ | | $K_y = \frac{4(0.425 + \alpha^2)}{(3\psi + 1)\alpha^2}$ | |
| | $0 > \psi \geq -1$ | | $K_y = 4(0.425 + \alpha^2)(1 + \psi) \frac{1}{\alpha^2} - 5\psi(1 - 3.42\psi) \frac{1}{\alpha^2}$ | |
| 7  | $1 \geq \psi \geq -1$ | | $K_y = (0.425 + \alpha^2) \frac{(3 - \psi)}{2\alpha^2}$ | For UP-A $C_x = 1$ for $\lambda \leq 0.75$ $C_x = \frac{0.75}{\lambda}$ for $\lambda > 0.75$ For UP-B $C_y = 1$ for $\lambda \leq 0.7$ $C_y = \frac{1}{\lambda^2 + 0.51}$ for $\lambda > 0.7$ |
| | | | | |
| 8  | - | | $K_y = 1 + \frac{0.56}{\alpha^2} + \frac{0.13}{\alpha^4}$ | |

Table 3 : Buckling Factor and reduction factor for plane plate panels (continued)

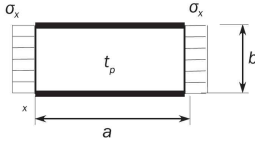
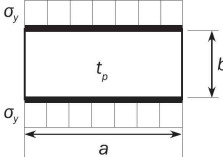
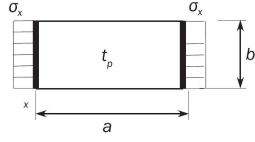
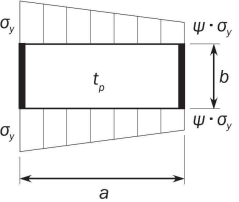
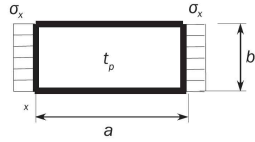
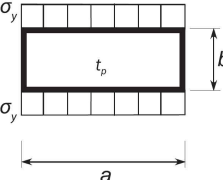
| Case | Stress ratio ψ | Aspect ratio α | Buckling factor K | Reduction factor C |
|---|---------------------|--|--|---|
| 9  | - | $K_x = 6.97$ | | $C_x = 1$ for $\lambda \leq 0.83$ |
| 10  | - | $K_y = 4 + \frac{2.07}{\alpha^2} + \frac{0.67}{\alpha^4}$ | | $C_x = 1.13 \left(\frac{1}{\lambda} - \frac{0.22}{\lambda^2} \right)$ for $\lambda > 0.83$ |
| 11  | - | $\alpha \geq 4$ | $K_x = 4$ | $C_x = 1$ for $\lambda \leq 0.83$ |
| | | $\alpha < 4$ | $K_x = 4 + 2.74 \left[\frac{4 - \alpha}{3} \right]^4$ | $C_x = 1.13 \left(\frac{1}{\lambda} - \frac{0.22}{\lambda^2} \right)$ for $\lambda > 0.83$ |
| 12  | - | $K_y = K_y$ determined as per case 2 | | $C_y = C_{y2}$ for $\alpha < 2$ $C_y = \left(1.06 + \frac{1}{10\alpha} \right) C_{y2}$ for $\alpha \geq 2$ where: $C_{y2} = C_y$ determined as per case 2 |
| 13  | - | $\alpha \geq 4$ | $K_x = 6.97$ | $C_x = 1$ for $\lambda \leq 0.83$ |
| | | $\alpha < 4$ | $K_x = 6.97 + 3.1 \left[\frac{4 - \alpha}{3} \right]^4$ | $C_x = 1.13 \left(\frac{1}{\lambda} - \frac{0.22}{\lambda^2} \right)$ for $\lambda > 0.83$ |
| 14  | - | $K_y = \frac{6.97}{\alpha^2} + \frac{3.1}{\alpha^2} \left(\frac{4 - 1/\alpha}{3} \right)^4$ | | $C_y = 1$ for $\lambda \leq 0.83$ $C_y = 1.13 \left(\frac{1}{\lambda} - \frac{0.22}{\lambda^2} \right)$ for $\lambda > 0.83$ |

Table 3 : Buckling Factor and reduction factor for plane plate panels (continued)

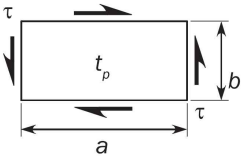
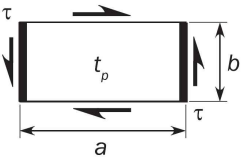
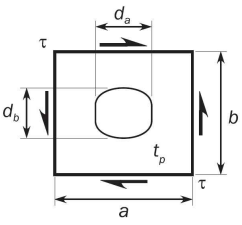
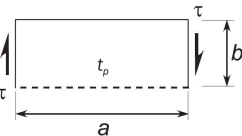
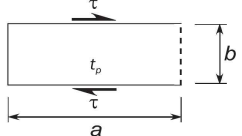
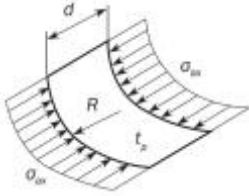
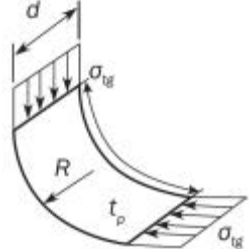
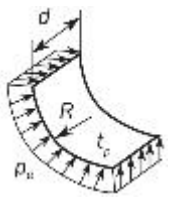
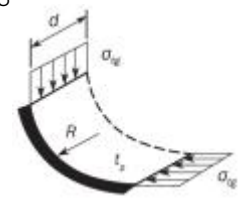
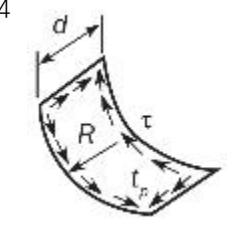
| Case | Stress ratio ψ | Aspect ratio α | Buckling factor K | Reduction factor C |
|--|---------------------|-----------------------|---|---|
| 15  | - | | $K_{\tau} = \sqrt{3} \left[5.34 + \frac{4}{\alpha^2} \right]$ | |
| 16  | - | | $K_{\tau} = \sqrt{3} \left\{ 5.34 + \text{Max} \left[\frac{4}{\alpha^2}; \frac{7.15}{\alpha^{2.5}} \right] \right\}$ | |
| 17  | - | | $K_{\tau} = K_{\tau \text{ case 15}} r$ $K_{\tau \text{ case 15}} = K_{\tau}$ according to case 15 r : opening reduction factor taken as $r = \left(1 - \frac{d_a}{a} \right) \left(1 - \frac{d_b}{b} \right)$ with $\frac{d_a}{a} \leq 0.7$ and $\frac{d_b}{b} \leq 0.7$ | $C_{\tau} = 1$ for $\lambda \leq 0.84$ $C_{\tau} = \frac{0.84}{\lambda}$ for $\lambda > 0.84$ |
| 18  | - | | $K_{\tau} = 3^{0.5} (0.6 + 4/\alpha^2)$ | |
| 19  | - | | $K_{\tau} = 8$ | |
| Edge boundary conditions : ----- Plate edge free. ———— Plate edge simply supported. ———— Plate edge clamped. | | | | |
| Notes: 1) Cases listed are general cases. Each stress component(σ_x, σ_y) is to be understood in local coordinates. | | | | |

Table 4: Buckling Factor and reduction factor for curved plate panel with $R/t_p \leq 2500$

| Case | Aspect ratio | Buckling factor K | Reduction factor C |
|--|---|---|--|
| 1  | $\frac{d}{R} \leq 0.5 \sqrt{\frac{R}{t_p}}$ | $K = 1 + \frac{2}{3} \frac{d^2}{Rt_p}$ | For general application: $C_{ax} = 1$ for $\lambda \leq 0.25$ $C_{ax} = 1.233 - 0.933 \lambda$ for $0.25 < \lambda \leq 1$ $C_{ax} = 0.3/\lambda^3$ for $1 < \lambda \leq 1.5$ $C_{ax} = 0.2/\lambda^2$ for $\lambda > 1.5$ |
| | $\frac{d}{R} > 0.5 \sqrt{\frac{R}{t_p}}$ | $K = 0.267 \frac{d^2}{Rt_p} [3 - \frac{d}{R} \sqrt{\frac{t_p}{R}}] \geq 0.4 \frac{d^2}{Rt_p}$ | For curved single fields, e.g. bilge strake, which are bounded by plane panels: $C_{ax} = \frac{0.65}{\lambda^2} \leq 1.0$ |
| 2a  | $\frac{d}{R} \leq 1.63 \sqrt{\frac{R}{t_p}}$ | $K = \frac{d}{\sqrt{Rt_p}} + 3 \frac{(Rt_p)^{0.175}}{d^{0.35}}$ | For general application: $C_{lg} = 1$ for $\lambda \leq 0.4$ $C_{lg} = 1.274 - 0.686 \lambda$ for $0.4 < \lambda \leq 1.2$ $C_{lg} = 0.65/\lambda^2$ for $\lambda > 1.2$ |
| | 2b $\sigma_{lg} = \frac{p_e \cdot R}{t_p}$  $p_e =$ external pressure in $[N/mm^2]$ | $\frac{d}{R} > 1.63 \sqrt{\frac{R}{t_p}}$ | $K = 0.3 \frac{d^2}{R^2} + 2.25 \left(\frac{R^2}{dt_p}\right)^2$ |
| 3  | $\frac{d}{R} \leq \sqrt{\frac{R}{t_p}}$ | $K = \frac{0.6d}{\sqrt{Rt_p}} + \frac{\sqrt{Rt_p}}{d} - 0.3 \frac{Rt_p}{d^2}$ | As in load case 2a. |
| | $\frac{d}{R} > \sqrt{\frac{R}{t_p}}$ | $K = 0.3 \frac{d^2}{R^2} + 0.291 \left(\frac{R^2}{dt_p}\right)^2$ | |
| 4  | $\frac{d}{R} \leq 8.7 \sqrt{\frac{R}{t_p}}$ | $K = \sqrt{3} \sqrt{28.3 + \frac{0.67 d^3}{R^{1.5} t_p^{1.5}}}$ | $C_\tau = 1$ for $\lambda \leq 0.4$ $C_\tau = 1.274 - 0.686 \lambda$ for $0.4 < \lambda \leq 1.2$ |
| | $\frac{d}{R} > 8.7 \sqrt{\frac{R}{t_p}}$ | $K = \sqrt{3} \frac{0.28 d^2}{R \sqrt{Rt_p}}$ | $C_\tau = \frac{0.65}{\lambda^2}$ for $\lambda > 1.2$ |
| Explanations for boundary conditions: ----- Plate edge free. ———— Plate edge simply supported. ———— Plate edge clamped. | | | |

2.3 Stiffeners

2.3.1 Buckling modes

The following buckling modes are to be checked:

- a) Stiffener induced failure (SI)
- b) Associated plate induced failure (PI)

2.3.2 Web thickness of flat bar (2023)

For accounting the decrease of the stiffness due to local lateral deformation, the effective web thickness of flat bar stiffener, in mm, is to be used in **[2.1]** and **[2.3.4]** for the calculation of the net sectional area, A_s , the net section modulus, Z , and the moment of inertia, I , of the stiffener and is taken as:

$$t_{w-red} = t_w \left(1 - \frac{2\pi^2}{3} \left(\frac{h_w}{s} \right)^2 \left(1 - \frac{b_{eff1}}{s} \right) \right)$$

2.3.3 Idealisation of bulb profile

Bulb profiles may be considered as equivalent angle profiles, as defined in **Ch 3, Sec 7, [1.4.1]**.

2.3.4 Ultimate buckling capacity (2023)

When $\sigma_a + \sigma_b + \sigma_w > 0$ while initially setting $\gamma = 1$, the ultimate buckling capacity for stiffeners is to be checked according to the following interaction formula:

$$\frac{\gamma_c \sigma_a + \sigma_b + \sigma_w}{R_{eH}} = 1$$

where:

σ_a : Effective axial stress, in N/mm², at mid-span of the stiffener, acting on the stiffener with its attached plating.

$$\sigma_a = \sigma_x \frac{s t_p + A_s}{b_{eff1} t_p + A_s}$$

σ_x : Nominal axial stress, in N/mm², acting on the stiffener with its attached plating.

- For FE analysis, σ_x is the FE corrected stress as defined in **[2.3.6]** in the attached plating in the direction of the stiffener axis.
- For prescriptive assessment, σ_x is the axial stress calculated according to **Ch 8, Sec 3, [2.2.1]** at load calculation point of the stiffener, as defined in **Ch 3, Sec 7, [3]**.
- For grillage beam analysis, σ_x is the stress acting along the x-axis of the attached buckling panel.

R_{eH} : Specified minimum yield stress of the material, in N/mm²:

$$a) R_{eH} = R_{eH-S} \quad \text{for stiffener induced failure (SI)}$$

$$b) R_{eH} = R_{eH-P} \quad \text{for plate induced failure (PI)}$$

σ_b : Bending stress in the stiffener, in N/mm²:

$$\sigma_b = \frac{M_0 + M_1 + M_2}{Z \times 10^3}$$

Z : Net section modulus of stiffener, in cm³, including effective width of plating according to **[2.3.5]**, to be taken as:

- The section modulus calculated at the top of stiffener flange for stiffener induced failure (SI).
- The section modulus calculated at the attached plating for plate induced failure (PI).

M_2 : Bending moment, in Nmm, due to eccentricity of sniped stiffeners, to be taken as:

$M_2 = 0$ for continuous stiffeners.

$M_2 = C_{snip} w_{na} \gamma \sigma_x (A_p + A_s)$ for stiffeners sniped at one or both ends.

C_{snip} : Coefficient to account for the end effect of the stiffener sniped at one or both ends, to be taken as:

$C_{snip} = -1.2$ for stiffener induced failure (SI).

$C_{snip} = 1.2$ for plate induced failure (PI).

C_{PI} : Plate induced failure pressure coefficient:

$C_{PI} = 1$ if the lateral pressure is applied on the side opposite to the stiffener.

$C_{PI} = -1$ if the lateral pressure is applied on the same side as the stiffener.

C_{SI} : Stiffener induced failure pressure coefficient:

$C_{SI} = -1$ if the lateral pressure is applied on the side opposite to the stiffener.

$C_{SI} = 1$ if the lateral pressure is applied on the same side as the stiffener.

M_1 : Bending moment, in Nmm, due to the lateral load P :

$$M_1 = C_i \frac{|P| s \ell^2}{24 \times 10^3} \quad \text{for continuous stiffener}$$

$$M_1 = C_i \frac{|P| s \ell^2}{8 \times 10^3} \quad \text{for sniped stiffener}$$

$$M_1 = C_i \frac{|P| s \ell^2}{14.2 \times 10^3} \quad \text{for stiffeners sniped at one end and continuous at other end.}$$

P : Lateral load, in kN/m².

- For FE analysis, P is the average pressure as defined in **Ch 8, Sec 4, [2.5.2]** in the attached plating.
- For prescriptive assessment, P is the pressure calculated at load calculation point of the stiffener, as defined in **Ch 3, Sec 7, [3]**.

C_i : Pressure coefficient:

$C_i = C_{SI}$ for stiffener induced failure (SI).

$C_i = C_{PI}$ for plate induced failure (PI).

M_0 : Bending moment (Nmm) due to the lateral deformation, w of stiffener:

$$M_0 = F_E C_{sl} \frac{\gamma}{\gamma_{GEB} - \gamma} w_0 \quad \text{with precondition } \gamma_{GEB} - \gamma > 0$$

γ_{GEB} : Stress multiplier factor of global elastic buckling capacity as defined in **[2.1]**.

C_{sl} : Deformation reduction factor to account for global slenderness, to be taken as:

$$C_{sl} = 1 - \frac{1}{12} \lambda_G^4 \quad \text{for } \lambda_G \leq 1.56$$

$$C_{sl} = 3/\lambda_G^4 \quad \text{for } \lambda_G > 1.56$$

λ_G : The reference degree of global slenderness of the stiffened panel, to be taken as:

$$\lambda_G = \sqrt{\frac{\gamma_{ReH}}{\gamma_{GEB}}} \quad \text{and} \quad \gamma_{ReH} = \frac{\min(R_{eH-P}, R_{eH-S})}{\sqrt{\sigma_{x,av}^2 + \sigma_y^2 - \sigma_{x,av} \sigma_y + 3\tau_{xy}^2}}$$

$\sigma_{x,av}$: Average stress for both plate and stiffener as defined in **[2.1.2]**

F_E : Ideal elastic buckling force of the stiffener, in N.

$$F_E = \left(\frac{\pi}{l}\right)^2 E I 10^4$$

I : Moment of inertia, in cm^4 , of the stiffener including effective width of attached plating according to [2.3.5]. I is to comply with the following requirement:

$$I \geq \frac{s t_p^3}{12 \times 10^4}$$

t_p : Net thickness of plate, in mm, to be taken as

- For prescriptive requirements: the mean thickness of the two attached plating panels,
- For FE analysis: the thickness of the considered EPP on one side of the stiffener.

w_0 : Assumed imperfection, in mm, taken equal to:

$$w_0 = l 10^{-3}$$

σ_w : The stress due to torsional deformation, in N/mm^2 , is to be taken equal to:

- For stiffener induced failure (SI)

$$\sigma_a > 0$$

$$\sigma_w = E y_w e_f \Phi_0 \left(\frac{m_{tor} \pi}{l_{tor}} \right)^2 \left(\frac{1}{1 - \frac{\gamma \sigma_a}{\sigma_{ET}}} - 1 \right) \quad \text{with precondition } \sigma_{ET} - \gamma \sigma_a > 0$$

$$\sigma_a > 0$$

$$\sigma_w = 0$$

- For plate induced failure (PI)

$$\sigma_w = 0$$

y_w : Distance, in mm, from centroid of stiffener cross-section to the free edge of stiffener flange, to be taken as:

$$y_w = \frac{t_w}{2} \quad \text{for flat bar}$$

$$y_w = b_f - \frac{h_w t_w^2 + t_f b_f^2}{2A_s} \quad \text{for angle and bulb profiles}$$

$$y_w = b_{f-out} + 0.5t_w - \frac{h_w t_w^2 + t_f (b_f^2 - 2b_f d_f)}{2A_s} \quad \text{for L2 profile}$$

$$y_w = b_{f-out} + 0.5t_w - \frac{(h_w - t_f) t_w^2 + t_f (b_f + t_w)^2}{2A_s} \quad \text{for L3 profile}$$

$$y_w = \frac{b_f}{2} \quad \text{for Tee profile}$$

Φ_0 : Coefficient taken as:

$$\Phi_0 = \frac{l_{tor}}{m_{tor} h_w} 10^{-4}$$

l_{tor} : Stiffener span, distance equal to spacing between primary supporting members, i.e. $l_{tor} = l$. When the stiffener is supported by tripping brackets, l_{tor} should be taken as the maximum spacing between the adjacent primary supporting members and fitted tripping brackets.

m_{tor} : Number of half waves within l_{tor} , taken as a positive integer so as to give smallest

reference stress for torsional buckling.

σ_{ET} : Reference stress for torsional buckling, in N/mm²:

$$\sigma_{ET} = \frac{E}{I_p} \left[\left(\frac{m_{tor}\pi}{l_{tor}} \right)^2 I_w \cdot 10^2 + \frac{1}{2(1+\nu)} I_T + \left(\frac{l_{tor}}{m_{tor}\pi} \right)^2 \epsilon \cdot 10^{-4} \right]$$

I_p : Net polar moment of inertia of the stiffener, in cm⁴, about point C as shown in **Figure 1**, as defined in **Table 5**.

I_T : Net St. Venant's moment of inertia of the stiffener, in cm⁴, as defined in **Table 5**.

I_w : Net sectional moment of inertia of the stiffener, in cm⁶, about point C as shown in **Figure 1**, as defined in **Table 5**.

ϵ : Degree of fixation.

$$\epsilon = \left(\frac{3b}{t_p^3} + \frac{2h_w}{t_w^3} \right)^{-1} \quad \text{for bulb, angle, L2, L3 and T profiles}$$

$$\epsilon = \frac{t_p^3}{3b} \quad \text{for flat bars}$$

A_w : Net web area, in mm².

A_f : Net flange area, in mm².

Table 5 : Moments of inertia (2023)

| | Flat bars ⁽¹⁾ | Bulb, angle, L2, L3 and Tee profiles |
|-------|---|---|
| I_p | $\frac{h_w^3 t_w}{3 \times 10^4}$ | $\left(\frac{A_w (e_f - 0.5t_f)^2}{3} + A_f e_f^2 \right) 10^{-4}$ |
| I_T | $\frac{h_w^3 t_w}{3 \times 10^4} \left(1 - 0.63 \frac{t_w}{h_w} \right)$ | $\frac{(e_f - 0.5t_f)t_w^3}{3 \times 10^4} \left(1 - 0.63 \frac{t_w}{e_f - 0.5t_f} \right) + \frac{b_f t_f^3}{3 \times 10^4} \left(1 - 0.63 \frac{t_f}{b_f} \right)$ |
| I_w | $\frac{h_w^3 t_w^3}{36 \times 10^6}$ | $\left. \frac{A_f^3 + A_w^3}{36 \times 10^6} + \frac{e_f^2}{10^6} \left[\frac{A_f b_f^2 + A_w t_w^2}{3} - \frac{(A_f (b_f - 2d_f) + A_w t_w)^2}{4(A_f + A_w)} - A_f d_f (b_f - d_f) \right] \right\}$: for bulb angle, L2 and L3 profiles ⁽²⁾ . $\frac{b_f^3 t_f e_f^2}{12 \times 10^6}$: for Tee profiles. |

⁽¹⁾ t_w is the net web thickness, in mm, t_{w-red} as defined in **[2.3.2]** is not to be used in this table.
⁽²⁾ d_f is defined in **Ch 3, Sec 2, Figure 3** and to be taken as 0 for bulb and angle profiles.

2.3.5 Effective width of the attached plating, b_{eff}

The effective width of the attached plating of a stiffener, b_{eff} , in mm, is to be taken as:

- For $\sigma_x > 0$:
 - For FE analysis,

$$b_{eff} = \min(C_x b, \chi_{sS})$$
 - For prescriptive assessment,

$$b_{eff} = \min\left(\frac{C_{x1}b_1 + C_{x2}b_2}{2}, \chi_s s\right)$$

• For $\sigma_x \leq 0$:

$$\bullet b_{eff} = \chi_s s$$

where:

χ_s : Effective width coefficient to be taken as:

$$\chi_s = \min[50\ell + 0.6s; 200\ell] \quad \text{or}$$

$$\chi_s = s$$

whichever is lesser.

ℓ_{eff} : The effective length of the stiffener, in mm, taken as:

$$\ell_{eff} = \frac{\ell}{\sqrt{3}} \quad \text{for stiffener fixed at both ends.}$$

$$\ell_{eff} = 0.75\ell \quad \text{for stiffener simply supported at one end and fixed at the other.}$$

$$\ell_{eff} = \ell \quad \text{for stiffener simply supported at both ends.}$$

2.3.6 FE corrected stresses for stiffener capacity (2023)

When the reference stresses σ_x and σ_y obtained by FE analysis according to **Ch 8, Sec 4, [2.4]** are both compressive, σ_x is to be corrected according to the following formula :

• If $\sigma_x < \nu\sigma_y$:

$$\sigma_{xcor} = 0$$

• If $\sigma_x \geq \nu\sigma_y$:

$$\sigma_{xcor} = \sigma_x - \nu\sigma_y$$

2.4 Primary supporting members

2.4.1 Web plate in way of openings

The web plate of primary supporting members with openings is to be assessed for buckling based on the combined axial compressive and shear stresses.

The web plate adjacent to the opening on both sides is to be considered as individual unstiffened plate panels as shown in **Table 6**.

The interaction formulae of **[2.2.1]** are to be used with:

$$\sigma_x = \sigma_{av}$$

$$\sigma_y = 0$$

$$\tau = \tau_{av}$$

where:

σ_{av} : Weighted average compressive stress, in N/mm², in the area of web plate being considered, i.e. *P1*, *P2* or *P3* as shown in **Table 6**.

For the application of the **Table 6**, the weighted average shear stress is to be taken as:

• Opening modelled in primary supporting members:

τ_{av} : Weighted average shear stress, in N/mm², in the area of web plate being considered, i.e. *P1*, *P2* or *P3* as shown in **Table 6**.

• Opening not modelled in primary supporting members:

τ_{av} : Weighted average shear stress, in N/mm², given in **Table 6**.

2.4.2 Reduction factors of web plate in way of openings

The reduction factors, C_x or C_y in combination with, C_τ of the plate panel(s) of the web adjacent to the opening is to be taken as shown in **Table 6**.

2.4.3

The equivalent plate panel of web plate of primary supporting members crossed by perpendicular stiffeners is to be idealised as shown in **Figure 2**.

The correction of panel breadth is applicable also for other slot configurations provided that the web or collar plate is attached to at least one side of the passing stiffener.

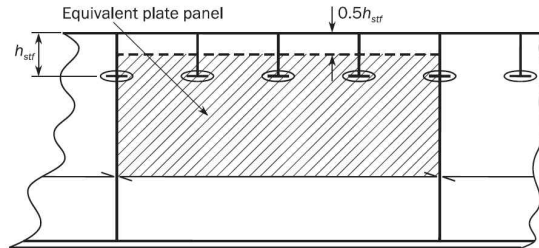
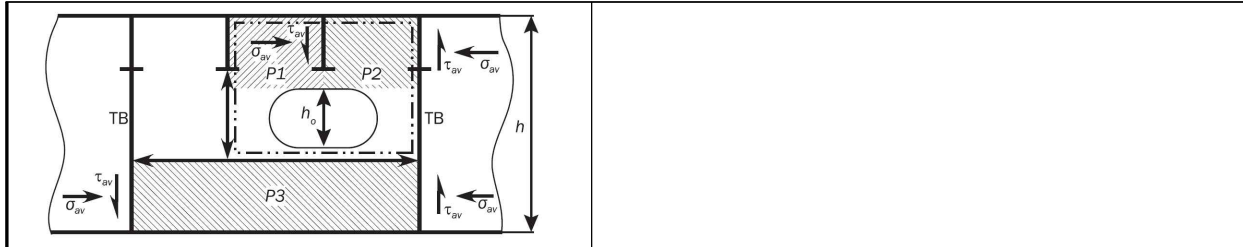


Figure 2 : Web plate idealisation

Table 6 : Reduction factors (2023)

| Configuration ¹⁾ | C_x, C_y | C_τ | |
|--|---|---|---|
| | | Opening modelled in PSM | Opening not modelled in PSM |
| (a) Without edge reinforcements: ²⁾ | Separate reduction factors are to be applied to areas <i>P1</i> and <i>P2</i> using case 3 or case 6 in Table 3 , with edge stress ratio: $\psi = 1.0$ | Separate reduction factors are to be applied to areas <i>P1</i> and <i>P2</i> using case 18 or case 19 in Table 3 . | When case 17 of Table 3 is applicable: A common reduction factor is to be applied to areas <i>P1</i> and <i>P2</i> using case 17 in Table 3 with: $\tau_{av} = \tau_{av}(web)$ When case 17 of Table 3 is not applicable: Separate reduction factors are to be applied to areas <i>P1</i> and <i>P2</i> using case 18 or case 19 in Table 3 with: $\tau_{ay} = \tau_{av}(web) \frac{h}{(h - h_0)}$ |
| (b) With edge reinforcements: | Separate reduction factors are to be applied for areas <i>P1</i> and <i>P2</i> using C_x for case 1 or C_y for case 2 in Table 3 with stress ratio: $\psi = 1.0$ | Separate reduction factors are to be applied for areas <i>P1</i> and <i>P2</i> using case 15 in Table 3 . | Separate reduction factors are to be applied to areas <i>P1</i> and <i>P2</i> using case 15 in Table 3 with: $\tau_{ay} = \tau_{av}(web) \frac{h}{(h - h_0)}$ |
| (c) Example of hole in web: | | Panels <i>P1</i> and <i>P2</i> are to be evaluated in accordance with (a). Panel <i>P3</i> is to be evaluated in accordance with (b). | |



Where:

h : Height, in m, of the web of the primary supporting member in way of the opening.

h_o : Height, in m, of the opening measured in the depth of the web.

$\tau_{av}(web)$: Weighted average shear stress, in N/mm^2 over the web height h of the primary supporting member.

Note 1): Web panels to be considered for buckling in way of openings are shown shaded and numbered $P1$, $P2$, etc.

Note 2): For a PSM web panel with opening and without edge reinforcements as shown in configuration (a), the applicable buckling assessment method depends on its specific boundary conditions. If one of the long edges along the face plate or along the attached plating is not subject to "inline support", i.e. the edge is free to pull in, Method B should be applied. In other cases, typically such as when the short plate edge is attached to the plate flanges, Method A is applicable.

3. Buckling capacity of other structures

3.1 Pillars

3.1.1 Buckling utilisation factor

The buckling utilisation factor, η , for axially compressed pillars is to be taken as:

$$\eta = \frac{\sigma_{av}}{\sigma_{cr}}$$

where:

σ_{av} : Average axial compressive stress in the member, in N/mm².

σ_{cr} : Minimum critical buckling stress, in N/mm², taken as:

$$\sigma_{cr} = \sigma_E \quad \text{for } \sigma_E \leq 0.5R_{eH-s}$$

$$\sigma_{cr} = \left(1 - \frac{R_{eH-s}}{4\sigma_E}\right)R_{eH-s} \quad \text{for } \sigma_E > 0.5R_{eH-s}$$

σ_E : Minimum elastic compressive buckling stress, in N/mm², according to [3.1.2] to [3.1.4].

R_{eH-s} : Specified minimum yield stress of the considered member, in N/mm². For built up members, the lowest specified minimum yield stress is to be used.

3.1.2 Elastic column buckling stress

The elastic compressive column buckling stress, σ_{EC} , in N/mm² of members subject to axial compression is to be taken as:

$$\sigma_{EC} = \pi^2 E f_{end} \frac{I}{A \ell_{pill}^2} 10^{-4}$$

where:

I : Net moment of inertia about the weakest axis of the cross section, in cm⁴.

A : Net cross sectional area of the member, in cm².

ℓ_{pill} : Length of the member, in m, taken as:

a) For pillar: unsupported length of the member

f_{end} : End constraint factor, taken as:

a) For pillar:

- $f_{end} = 1.0$ where both ends are simply supported.
- $f_{end} = 2.0$ where one end is simply supported and the other end is fixed.
- $f_{end} = 4.0$ where both ends are fixed.

A pillar end may be considered fixed when brackets of adequate size are fitted. Such brackets are to be supported by structural members with greater bending stiffness than the pillar.

3.1.3 Elastic torsional buckling stress

The elastic torsional buckling stress, σ_{ET} , in N/mm², with respect to axial compression of members is to be taken as:

$$\sigma_{ET} = \frac{GI_{sv}}{I_{pol}} + \frac{\pi^2 f_{end} E c_{warp}}{I_{pol} \ell_{pill}^2} 10^{-4}$$

where:

I_{sv} : Net St. Venant's moment of inertia, in cm⁴, see Table 7 for examples of cross sections.

I_{pol} : Net polar moment of inertia about the shear centre of cross section, in cm^4 .

$$I_{pol} = I_y + I_z + A(y_0^2 + z_0^2)$$

c_{warp} : Warping constant, in cm^6 , see **Table 7** for examples of cross sections.

l_{pill} : Length of the member, in m as defined in **[3.1.2]**.

y_0 : Transverse position of shear centre relative to the cross sectional centroid, in cm, see **Table 7** for examples of cross sections.

z_0 : Vertical position of shear centre relative to the cross sectional centroid, in cm, see **Table 7** for examples of cross sections.

A : Net cross sectional area, in cm^2 , as defined in **[3.1.2]**.

I_y : Net moment of inertia about y axis, in cm^4 .

I_z : Net moment of inertia about z axis, in cm^4 .

3.1.4 Elastic torsional/column buckling stress

For cross sections where the centroid and the shear centre do not coincide, the interaction between the torsional and column buckling mode is to be examined. The elastic torsional/column buckling stress, σ_{ETF} , with respect to axial compression is to be taken as:

$$\sigma_{ETF} = \frac{1}{2\zeta} [(\sigma_{EC} + \sigma_{ET}) - \sqrt{(\sigma_{EC} + \sigma_{ET})^2 - 4\zeta\sigma_{EC}\sigma_{ET}}]$$

where:

ζ : Coefficient taken as:

$$\zeta = 1 - \frac{(y_0^2 + z_0^2)A}{I_{pol}}$$

y_0 : Transverse position of shear centre relative to the cross sectional centroid, in cm, as defined in **[3.1.3]**.

z_0 : Vertical position of shear centre relative to the cross sectional centroid, in cm, as defined in **[3.1.3]**.

A : Net cross sectional area, in cm^2 , as defined in **[3.1.2]**.

I_{pol} : Net polar moment of inertia about the shear centre of cross section, in cm^4 as defined in **[3.1.3]**.

σ_{EC} : Elastic column compressive buckling stress, as defined in **[3.1.2]**.

σ_{ET} : Elastic torsional buckling stress, as defined in **[3.1.3]**.

Table 7 : Cross sectional properties

| | | |
|--|--|---------------|
| | $I_{sv} = \frac{1}{3}(2b_f t_f^3 + d_{wt} t_w^3) 10^{-4}$ | cm^4 |
| | $c_{warp} = \frac{d_{wt}^2 b_f^3 t_f}{24} 10^{-6}$ | cm^6 |
| | $I_{sv} = \frac{1}{3}(b_f t_f^3 + d_{wt} t_w^3) 10^{-4}$ | cm^4 |
| | $y_0 = 0$ | cm |
| | $z_0 = -\frac{0.5 d_{wt}^2 t_w}{d_{wt} t_w + b_f t_f} 10^{-1}$ | cm |
| | $c_{warp} = \frac{b_f^3 t_f^3 + 4 d_{wt}^3 t_w^3}{144} 10^{-6}$ | cm^6 |
| | $I_{sv-n50} = \frac{1}{3}(b_{fu} t_f^3 + 2 d_{wt} t_w^3) 10^{-4}$ | cm^4 |
| | $y_0 = 0$ | cm |
| | $z_0 = -\frac{d_{wt}^2 t_w 10^{-1}}{2 d_{wt} t_w + b_{fu} t_f} - \frac{0.5 d_{wt}^2 t_w 10^{-1}}{d_{wt} t_w + b_{fu} t_f / 6}$ | cm |
| | $c_{warp} = \frac{b_{fu}^2 d_{wt}^3 t_w (3 d_{wt} t_w + 2 b_{fu} t_f)}{12 (6 d_{wt} t_w + b_{fu} t_f)} 10^{-6}$ | cm^6 |
| | $I_{sv} = \frac{1}{3}(b_{f1} t_{f1}^3 + 2 b_{f2} t_{f2}^3 + b_{f3} t_{f3}^3 + d_{wt} t_w^3) 10^{-4}$ | cm^4 |
| | $y_0 = 0$ | cm |
| | $z_0 = z_s - \frac{(b_{f3} d_{wt} t_{f3} + 0.5 d_{wt}^2 t_w) 10^{-1}}{d_{wt} t_w + b_{f1} t_{f1} + 2 b_{f2} t_{f2} + b_{f3} t_{f3}}$ | cm |
| | $c_{warp} = \left(I_{f1} z_s^2 + \frac{I_{f2} b_{f1}^2}{200} + I_{f3} \left(\frac{d_{wt}}{10} - z_s \right)^2 \right)$ | cm^6 |
| | $I_{f1} = \left(\frac{(b_{f1} - t_{f2})^3 t_{f1}}{12} + \frac{b_{f2} t_{f2} b_{f1}^2}{2} \right) 10^{-4}$ | cm^4 |
| | $I_{f2} = \frac{b_{f2}^3 t_{f2}}{12} 10^{-4}$ | cm^4 |
| | $I_{f3} = \frac{b_{f3}^3 t_{f3}}{12} 10^{-4}$ | cm^4 |
| | $z_s = \frac{I_{f3} d_{wt}}{I_{f1} + I_{f3}} 10^{-1}$ | cm |
| <p>Note 1: All dimensions are in mm Note 2: Cross sectional properties are given for typical cross sections. Properties for other cross sections are to be determined by direct calculation.</p> | | |

Appendix 1 – Stress based reference stresses

Symbols

For symbols not defined in this section, refer to **Ch 1, Sec 4**.

- a : Length, in mm, of the longer side of the plate panel as defined in **Sec 5**.
- b : Length, in mm, of the shorter side of the plate panel as defined in **Sec 5**.
- A_i : Area, in mm², of the i -th plate element of the buckling panel.
- n : Number of plate elements in the buckling panel.
- σ_{ix} : Actual stress, in N/mm², at the centroid of the i -th plate element in x direction, applied along the shorter edge of the buckling panel.
- σ_{iy} : Actual stress, in N/mm², at the centroid of the i -th plate element in y direction, applied along the longer edge of the buckling panel.
- ψ : Edge stress ratio as defined in **Sec 5**.
- τ_i : Actual membrane shear stress, in N/mm², at the centroid of the i -th plate element of the buckling panel.

1. Stress based method

1.1 Introduction

1.1.1

This section provides a method to determine stress distribution along edges of the considered buckling panel by 2nd order polynomial curve, by linear distribution using least square method and by weighted average approach. This method is called Stress based Method.

The reference stress is the stress components at centre of plate element transferred into the local system of the considered buckling panel.

1.1.2 Definition

A regular panel is a plate panel of rectangular shape. An irregular panel is plate panel which is not regular, as detailed in **Ch 8, Sec 4, [2.3.1]**.

1.2 Stress application

1.2.1 Regular panel

The reference stresses are to be taken as defined in **[2.1]** for a regular panel when the following conditions are satisfied:

- At least, one plate element centre is located in each third part of the long edge a of a regular panel and
- This element centre is located at a distance in the panel local x direction not less than $a/4$ to at least one of the element centres in the adjacent third part of the panel.

Otherwise, the reference stresses are to be taken as defined in **[2.2]** for an irregular panel.

1.2.2 Irregular panel and curved panel

The reference stresses of an irregular panel or of a curved panel are to be taken as defined in **[2.2]**.

2. Reference stresses

2.1 Regular panel

2.1.1 Longitudinal stress

The longitudinal stress σ_x applied on the shorter edge of the buckling panel is to be calculated as follows:

- a) For plate buckling assessment, the distribution of $\sigma_x(x)$ is assumed as 2nd order polynomial curve as:

$$\sigma_x(x) = Cx^2 + Dx + E$$

The best fitting curve $\sigma_x(x)$ is to be obtained by minimising the square error Π considering the area of each element as a weighting factor.

$$\Pi = \sum_{i=1}^n A_i [\sigma_{ix} - (Cx_i^2 + Dx_i + E)]^2$$

The unknown coefficients C , D and E must yield zero first derivatives, $\partial\Pi$ with respect to C , D and E respectively.

$$\begin{cases} \frac{\partial\Pi}{\partial C} = 2 \sum_{i=1}^n A_i x_i^2 [\sigma_{ix} - (Cx_i^2 + Dx_i + E)] = 0 \\ \frac{\partial\Pi}{\partial D} = 2 \sum_{i=1}^n A_i x_i [\sigma_{ix} - (Cx_i^2 + Dx_i + E)] = 0 \\ \frac{\partial\Pi}{\partial E} = 2 \sum_{i=1}^n A_i [\sigma_{ix} - (Cx_i^2 + Dx_i + E)] = 0 \end{cases}$$

The unknown coefficients C , D and E can be obtained by solving the 3 above equations.

$$\begin{aligned} \sigma_{x1} &= \frac{1}{b} \int_0^b \sigma_x(x) dx = \frac{b^2}{3} C + \frac{b}{2} D + E \\ \sigma_{x2} &= \frac{1}{b} \int_{a-b}^a \sigma_x(x) dx = (a^2 - ab + \frac{b^2}{3}) C + (a - \frac{b}{2}) D + E \end{aligned}$$

If $-D/2C < b/2$ or $-D/2C > a - b/2$, σ_{x3} is to be ignored. Otherwise, σ_{x3} is taken as:

$$\sigma_{x3} = \frac{1}{b} \int_{x_{min}}^{x_{max}} \sigma_x(x) dx = \frac{b^2}{12} C - \frac{D^2}{4C} + E$$

where:

$$x_{min} = -\frac{b}{2} - \frac{D}{2C}$$

$$x_{max} = \frac{b}{2} - \frac{D}{2C}$$

The longitudinal stress is to be taken as:

$$\sigma_x = \max(\sigma_{x1}; \sigma_{x2}; \sigma_{x3})$$

The edge stress ratio is to be taken as:

$$\psi_x = 1$$

- b) For stiffener buckling assessment, $\sigma_x(x)$ applied on the shorter edge of the attached plate is to be

taken as:

$$\sigma_x = \frac{\sum_1^n A_i \sigma_{ix}}{\sum_1^n A_i}$$

The edge stress ratio ψ_x for the stress σ_x is equal to 1.0.

2.1.2 Transverse stress

The transverse stress σ_y applied along the longer edges of the buckling panel is to be calculated by extrapolation of the transverse stresses of all elements up to the shorter edges of the considered buckling panel.

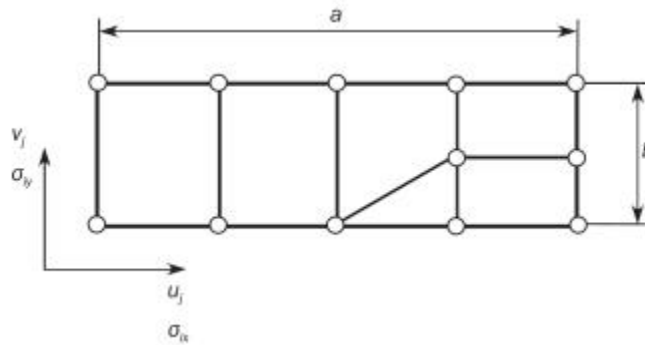


Figure 1 : Buckling panel

The distribution of $\sigma_y(x)$ is assumed as straight line. Therefore:

$$\sigma_y(x) = A + Bx$$

The best fitting curve $\sigma_y(x)$ is to be obtained by the least square method minimising the square error Π considering area of each element as a weighting factor.

$$\Pi = \sum_{i=1}^n A_i [\sigma_{iy} - (A + Bx_i)]^2$$

The unknown coefficients A and B must yield zero first partial derivatives, $\partial \Pi$ with respect to A and B , respectively.

$$\begin{cases} \frac{\partial \Pi}{\partial A} = 2 \sum_{i=1}^n A_i [\sigma_{iy} - (A + Bx_i)] = 0 \\ \frac{\partial \Pi}{\partial B} = 2 \sum_{i=1}^n A_i x_i [\sigma_{iy} - (A + Bx_i)] = 0 \end{cases}$$

The unknown coefficients A and B are obtained by solving the 2 above equations and are given as follow:

$$\left\{ \begin{aligned} A &= \frac{\left(\sum_{i=1}^n A_i \sigma_{iy}\right)\left(\sum_{i=1}^n A_i x_i^2\right) - \left(\sum_{i=1}^n A_i x_i\right)\left(\sum_{i=1}^n A_i x_i \sigma_{iy}\right)}{\left(\sum_{i=1}^n A_i\right)\left(\sum_{i=1}^n A_i x_i^2\right) - \left(\sum_{i=1}^n A_i x_i\right)^2} \\ B &= \frac{\left(\sum_{i=1}^n A_i\right)\left(\sum_{i=1}^n A_i x_i \sigma_{iy}\right) - \left(\sum_{i=1}^n A_i x_i\right)\left(\sum_{i=1}^n A_i \sigma_{iy}\right)}{\left(\sum_{i=1}^n A_i\right)\left(\sum_{i=1}^n A_i x_i^2\right) - \left(\sum_{i=1}^n A_i x_i\right)^2} \end{aligned} \right.$$

$$\sigma_y = \max(A, A + Ba)$$

$$\psi_y = \frac{\min(A, A + Ba)}{\max(A, A + Ba)} \quad \text{for } \sigma_y \geq 0$$

$$\psi_y = 1 \quad \text{for } \sigma_y < 0$$

2.1.3 Shear stress

The shear stress τ is to be calculated using a weighted average approach, and is to be taken as:

$$\tau = \frac{\sum_1^n A_i \tau_i}{\sum_1^n A_i}$$

2.2 Irregular panel and curved panel

2.2.1 Reference stresses

The longitudinal, transverse and shear stresses are to be calculated using a weighted average approach. They are to be taken as:

$$\sigma_x = \frac{\sum_1^n A_i \sigma_{ix}}{\sum_1^n A_i}$$

$$\sigma_y = \frac{\sum_1^n A_i \sigma_{iy}}{\sum_1^n A_i}$$

$$\tau = \frac{\sum_1^n A_i \tau_i}{\sum_1^n A_i}$$

The edge stress ratios are to be taken as:

$$\psi_x = 1$$

$$\psi_y = 1$$

Chapter 9

Fatigue

- Section 1 General Considerations
- Section 2 Structural Details to be Assessed
- Section 3 Fatigue Evaluation
- Section 4 Simplified Stress Analysis
- Section 5 Finite Element Stress Analysis
- Section 6 Detail Design Standard

Section 1 – General Considerations

Symbols

For symbols not defined in this section, refer to **Ch 1, Sec 4**.

T_{DF} : Design fatigue life, in year, specified by the designer, but not to be taken less than 25 years.

1. Rule Application for Fatigue Requirements

1.1 Scope

1.1.1 General

This chapter provides requirements applicable to ships having rule length L between 150 m and 400 m to evaluate fatigue strength of the ship's structural details considering an operation time in worldwide environment for unrestricted navigation. A more severe trading route may be specified e.g. North Atlantic.

1.1.2 Assessed area

Fatigue assessment is performed for structural details located in the ship's cargo hold region in order to prevent the following types of fatigue failure:

- Fatigue cracks initiating from the toe of the weld and propagating into the plate.
- Fatigue cracks initiating from free edge of non-welded details.

Where a transition structure of trunk deck from cargo hold region to engine room or to fore end structure is fitted, fatigue assessment is also to be performed.

1.1.3 Structural details to be assessed

The structural details required for fatigue assessment are given in **Ch 9, Sec 2**:

- Structural details to be checked are listed in:
 - **Ch 9, Sec 2, [1]** for simplified stress analysis according to **Ch 9, Sec 4**, or
 - **Ch 9, Sec 2, [2]** for finite element stress analysis according to **Ch 9, Sec 5**.

Additional specific details may be requested to be checked on a case-by-case basis by the Society.

1.1.4 Detail design standard

Detail design standard given in **Ch 9, Sec 6** provides welding requirement at critical structural details in order to prevent the following types of fatigue failure:

- Fatigue cracks initiating from the weld toe into the base material.
- Fatigue cracks initiating from the weld root and propagating into the plate section under the weld.
- Fatigue cracks initiating from the weld root and propagating through the weld throat.
- Fatigue cracks initiating from surface irregularity or notch at the free edge into the base material.

1.1.5 Material

The fatigue assessment is applicable for steel material with specified minimum yield stress less than or equal to 390 N/mm². For steel with specified minimum yield stress value higher than 390 N/mm² and for steels with improved fatigue performance, the S-N curves to be used are considered by the Society on a case-by-case basis.

1.1.6 Wave loads

Fatigue assessment is based on quasi-static wave loads.

1.1.7 Loads other than wave loads

Fatigue induced by low cycle loads such as cargo variations or impact loads such as sloshing in partially filled tanks which may induce fatigue damage is disregarded in this chapter.

2. Definition

2.1 Hot spots

2.1.1

Hot spots are locations in the structure where fatigue cracks may initiate due to the combined effect of nominal structural stress fluctuation and stress raising effects due to the weld geometry or similar effects due to notch in the base material.

Hot spots may be located at:

- Weld toe.
- Weld root of partial penetration or fillet weld.
- Base material at free edge of plate.

2.2 Nominal stress

2.2.1

Nominal stress is the stress in a structural component taking into account macro-geometric effect but disregarding the stress concentration due to structural discontinuities and the presence of welds. Nominal stress is to be obtained either using coarse or fine mesh FE analysis, as required in **Ch 9, Sec 5** or using analytical calculation based on beam theory, as required in **Ch 9, Sec 4**.

2.3 Hot spot stress

2.3.1

Hot spot stress is the stress at the weld toe taking into account the stress concentration due to structural discontinuities and presence of welded attachments but disregarding the non-linear stress peak caused by the notch at the weld toe. The hot spot stresses to be considered correspond to the two principal stresses on the surface plating at the weld toe. The first principal stress acts within $\pm 45^\circ$, perpendicular to the weld and the second principal stress acts outside $\pm 45^\circ$.

The hot spot stress is to be obtained by multiplying the nominal stress by a Stress Concentration Factor (SCF), according to **Ch 9, Sec 4, [5]** or directly by a very fine mesh FE analysis, according to **Ch 9, Sec 5, [3]** and **Ch 9, Sec 5, [4]**.

2.4 Local stress at free edge

2.4.1

Local stress at free edge is the stress at the plate free edge derived using finite element analysis according to **Ch 9, Sec 5, [3.2]**.

2.5 Fatigue stress

2.5.1

Fatigue stress is the stress relevant for fatigue assessment purpose, i.e.:

- Maximum of the two principal hot spot stress for weld toe with the mean stress effect and

thickness effect corrections.

- Local stress at free edge with corrections due to the base material surface finishing, mean stress effect, thickness effect and material strength.

3. Assumptions

3.1 General

3.1.1

The following assumptions are made in the fatigue assessment:

- a) A linear cumulative damage model, i.e. Palmgren–Miner’s Rule, given in **Ch 9, Sec 3, [5]**, has been used in connection with the design S–N curves, given in **Ch 9, Sec 3, [4]**.
- b) Design fatigue life, T_{DF} , is taken not less than 25 years.
- c) Rule quasi–static wave induced loads are based on worldwide environment for unrestricted navigation. They are determined at 10^{-2} probability level of exceedance by the Equivalent Design Wave (EDW) concept.
- d) In accordance with **[5]**, net thickness (t_{n50}) is used for simplified stress analysis and gross thickness (t_{gr}) is used for finite stress analysis respectively.
- e) Type of stress used for crack initiating at the weld toe is the hot spot stress. Type of stress used for crack initiating at free edge of non–welded details is local stress at free edge.
- f) Fatigue stress range $\Delta\sigma_{FS}$ may be calculated by simplified stress analysis or by finite element stress analysis for details with more complex geometry.
- g) Long term distribution of stress range of a structural detail is assumed to follow a two–parameter Weibull distribution. Weibull shape parameter ξ is equal to 1 and the fatigue stress range $\Delta\sigma_{FS}$ is given at the reference probability level of exceedance equal to 10^{-2} .
- h) The acceptance criteria for fatigue checking are the total fatigue damage D to be less than 1 for the design fatigue life, as required in **Ch 9, Sec 3, [2]**.

4. Methodology

4.1 Principles

4.1.1 General

Appropriate fatigue strength of structural details is ensured by use of:

- Detail design standards given in **Ch 9, Sec 6**, providing specific design requirements.
- Fatigue strength assessment by fatigue life calculation, based on two different methods for hot spot stress calculation: simplified stress analysis and very fine mesh finite element stress analysis.

4.2 Simplified stress analysis

4.2.1

Procedure based on simplified stress analysis, required in **Ch 9, Sec 4**, is used to determine the hot spot stress at weld toe of longitudinal stiffener end connections, given in **Ch 9, Sec 2, [1.1]**.

Nominal stresses are calculated by using analytical method based on beam theory according to **Ch 9, Sec 4, [3]** and **Ch 9, Sec 4, [4]**. Hot spot stresses are obtained by multiplying nominal stresses by stress concentration factors (SCF) of the considered detail according to **Ch 9, Sec 4, [5.2]**.

4.3 Finite element stress analysis

4.3.1

Procedure based on finite element stress analysis, required in **Ch 9, Sec 5**, is used to determine hot spot stress at weld toe of specified structural details, from very fine mesh models.

The hot spot stress is generally highly dependent on the finite element model used for representing the structure.

General procedure for the calculation of hot spot stress at weld toe for any welded details except for web stiffened cruciform joints is given in **Ch 9, Sec 5, [3.1]**. Procedure for the calculation of hot spot stress at the flange connections for web stiffened cruciform joints is given in **Ch 9, Sec 5, [4]**. Calculation of local stress for non-welded area is provided in **Ch 9, Sec 5, [3.2]**.

A list of details for which the fatigue assessment is to be made through a compulsory very fine mesh finite element analysis or through the compliance with the design standard given in **Ch 9, Sec 6**, if a very fine mesh finite element analysis is omitted, is given respectively in **Ch 9, Sec 2, Table 1** and **Table 2**.

4.4 Fatigue design standards

4.4.1

Detail design standards given in **Ch 9, Sec 6** are provided to ensure improved fatigue performance of critical structural details. Alternative detail design configurations may be accepted subject to demonstration of satisfactory fatigue performance.

5. Corrosion Model

5.1 Net/gross thickness

5.1.1 General

The fatigue assessment by simplified method should be performed based on net thicknesses according to **Ch 3, Sec 2**. When accessing the fatigue strength by finite stress analysis, it shall be performed based on gross thicknesses.

5.1.2 Stress correction

The hull girder stresses for simplified stress analysis are to be corrected by multiplying the calculated stress by f_c , correction factor taken as:

$$f_c = 0.95$$

6. Loading Conditions

6.1 Description

6.1.1

Fatigue analyses are to be carried out for representative loading conditions according to the intended ship's operation as given in **[6.2]**.

6.2 Loading conditions

6.2.1

The loading conditions to be considered and corresponding fraction of time for each loading condition, $\alpha_{(j)}$, are defined in **Table 1**. The standard loading conditions for fatigue assessment are provided in [6.2.2].

Table 1 : Fraction of time in each loading condition

| Loading conditions | $\alpha_{(j)}$ |
|-----------------------------------|----------------|
| Full load condition (Homogeneous) | 0.5 |
| Normal ballast condition | 0.5 |

6.2.2 Standard loading conditions

The standard loading conditions to be applied are defined in **Table 2** to **Table 4** according to the location of the assessed details.

Table 2 : Standard loading conditions for fatigue assessment for midship cargo hold

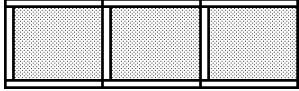

| No | Description | Loading Pattern | Still water loads | | | Dynamic load cases |
|--------|----------------|---|-------------------|-----------------|-----------------|--------------------|
| | | | Draught | % of perm. SWBM | % of perm. SWSF | |
| LMM-F1 | Full load |  | T_{SC} | 100% (sag.) | – | All |
| LMM-F2 | Normal ballast |  | $0.7 T_{SC}$ | 80% (hog.) | – | All |

Table 3 : Standard loading conditions for fatigue assessment for aftmost cargo hold

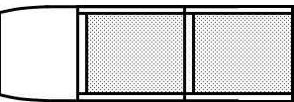
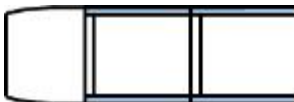
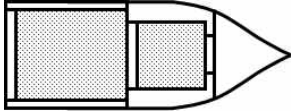
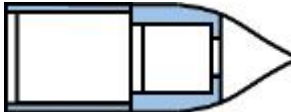
| No | Description | Loading Pattern | Still water loads | | | Dynamic load cases |
|--------|----------------|---|-------------------|-----------------|-----------------|--------------------|
| | | | Draught | % of perm. SWBM | % of perm. SWSF | |
| LMA-F1 | Full load |  | T_{SC} | 100% (sag.) | – | All |
| LMA-F2 | Normal ballast |  | $0.7 T_{SC}$ | 80% (hog.) | – | All |

Table 4 : Standard loading conditions for fatigue assessment foremost cargo hold

| No | Description | Loading Pattern | Still water loads | | | Dynamic load cases |
|--------|----------------|---|-------------------|-----------------|-----------------|--------------------|
| | | | Draught | % of perm. SWBM | % of perm. SWSF | |
| LMF-F1 | Full load |  | T_{SC} | 100% (sag.) | - | All |
| LMF-F2 | Normal ballast |  | $0.7 T_{SC}$ | 80% (hog.) | - | All |

7. Load Case

7.1 Assumptions

7.1.1

The load cases to be considered for fatigue assessment are given in **Ch 4, Sec 2, [3]**.

The design load scenario for fatigue assessment is defined in **Ch 4, Sec 7, Table 3**.

For each loading condition defined in **[6]**, all fatigue load cases are to be considered to generate the combination of dynamic loads for fatigue assessment.

7.1.2 Predominant load case

The predominant load case for each loading condition (j) is defined as load case where the fatigue stress range for the critical location is the maximum among all fatigue load cases.

Section 2 – Structural Details to be Assessed

1. Simplified Stress Analysis

1.1 Structural details to be assessed

1.1.1

Critical structural details to be checked over the full extent of the cargo region for fatigue assessment by simplified stress analysis according to **Ch 9, Sec 1** are:

- End connections of longitudinal stiffeners to transverse bulkheads,
- End connections of longitudinal stiffeners to floors and web frames.

2. Finite Element Analysis

2.1 Structural details to be assessed

2.1.1 General

Critical structural details to be checked for fatigue by finite element analysis according to **Ch 9, Sec 5** are given in **[2.1.2]**. Additional fatigue assessment may be required for other locations where deemed necessary by the Society.

Table 3 to **Table 8** give the list of hot spots for structural details.

2.1.2 Details to be checked by very fine mesh analysis

Critical structural details to be assessed for fatigue by very fine mesh analysis according to **Ch 9, Sec 5, [1]** to **Ch 9, Sec 5, [4]** are provided in **Table 1**, irrespective of their compliance with the design standard given in **Ch 9, Sec 6**.

2.1.3 Details in accordance with detail design standard

Table 3 gives critical structural details for which fatigue assessment by very fine mesh analysis can be omitted if their design is in accordance with detail design standard given in **Ch 9, Sec 6**.

Table 1 : Structural details to be assessed by very fine mesh analysis

| No | Critical detail | Applicability |
|---|---|-------------------------------|
| 1 | Welded lower hopper knuckle connection (intersection of hopper sloping plate, inner bottom plate, longitudinal girder, floor and transverse web) at the most critical frame location. ⁽¹⁾ | One cargo tank ⁽²⁾ |
| 2 | Radiused lower hopper knuckle connection (intersection of knuckled inner bottom plate, longitudinal girder, floor and transverse web) at the most critical frame location. ⁽¹⁾ | One cargo tank ⁽²⁾ |
| 3 | Welded upper hopper knuckle connection (intersection of hopper sloping plate, inner hull longitudinal bulkhead, transverse web and side stringer) where the angle between hopper plate and inner hull longitudinal bulkhead is less than 130 deg, at the most critical frame location. ⁽¹⁾ | One cargo tank ⁽²⁾ |
| 4 | Intersection of side stringer plate and stringer plate of transverse bulkheads. ⁽¹⁾ | One cargo tank ⁽²⁾ |
| 5 | Intersection of inner bottom plate and transverse bulkhead plates. ⁽¹⁾ | One cargo tank ⁽²⁾ |
| 6 | Scarfig bracket toes of aft end of trunk deck in aftmost cargo hold. | Aftmost hold |
| 7 | Liquid dome end bracket and inner deck plating. ⁽¹⁾⁽³⁾ | One cargo tank ⁽²⁾ |
| <p>⁽¹⁾ The most critical frame position is generally, but not necessarily, located closest to the mid length of the hold. ⁽²⁾ Cargo hold located closest to the midship. ⁽³⁾ Only for the ship having liquid dome structure.</p> | | |

Table 2 : Structural details to be assessed by very fine mesh analysis if not designed in accordance with detail design standard

| No | Critical detail | Applicability |
|---|--|-------------------------------|
| 1 | Radiused upper hopper knuckle connection (intersection of knuckled inner side plate, side girder and transverse web) at the most critical frame location. ⁽¹⁾ | One cargo tank ⁽²⁾ |
| 2 | Scallops in way of block joints on trunk deck close to mid hold. | One cargo tank ⁽²⁾ |
| <p>⁽¹⁾ The most critical frame position is generally, but not necessarily, located closest to the mid length of the hold. ⁽²⁾ Cargo hold located closest to the midship.</p> | | |

Table 3 : Hot spots for welded lower hopper knuckle connection

| Hot spot location | Procedure for calculation of hot spot stress |
|--|--|
| Hot spot 1: Inner bottom plate, on cargo tank side Hot spot 2: Hopper sloping plate, on cargo tank side | Ch 9, Sec 5, [4.2] |
| Hot spot 3: Hopper web, outboard of side girder Hot spot 4: Double bottom floor, inboard the side girder Hot spot 5: Side girder | Ch 9, Sec 5, [4.3] |
| Hot spot 6: Scarfing bracket to the inner bottom plate | Ch 9, Sec 5, [3.1], type 'b' |

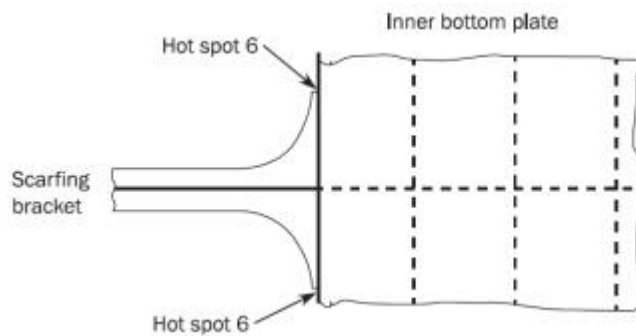
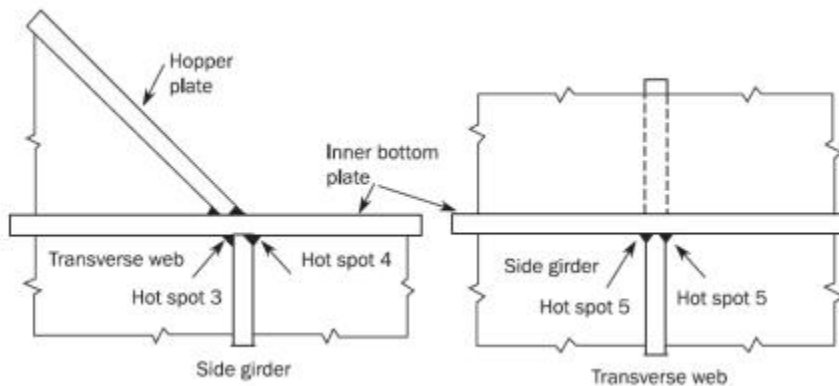
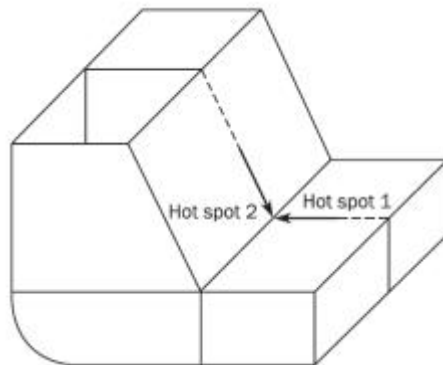


Table 4 : Hot spots for radiused lower hopper knuckle connection

| Hot spot location | Procedure for calculation of hot spot stress |
|---|--|
| Hot spot 1: Inner bottom plate on ballast tank side, inboard of the side girder Hot spot 2: Radiused hopper sloping plate on ballast tank side outboard of the side girder Hot spot 3: Radiused hopper sloping plate on ballast tank side, outboard of the side girder, towards transverse web Hot spot 4: Hopper web, outboard of side girder Hot spot 5: Double bottom floor, inboard of the side girder Hot spot 6: Side girder | Ch 9, Sec 5, [3.3] |
| | |

Table 5 : Hot spots for welded upper knuckle connection

| Hot spot location | Procedure for calculation of hot spot stress |
|---|--|
| Hot spot 1: Side stringer on ballast tank side Hot spot 2: Hopper sloping plate, on ballast tank side | Ch 9, Sec 5, [4.2] |
| Hot spot 3: Transverse web, below stringer. Hot spot 4: Transverse side web, above stringer Hot spot 5: Inner hull longitudinal bulkhead on ballast tank side | Ch 9, Sec 5, [4.3] |

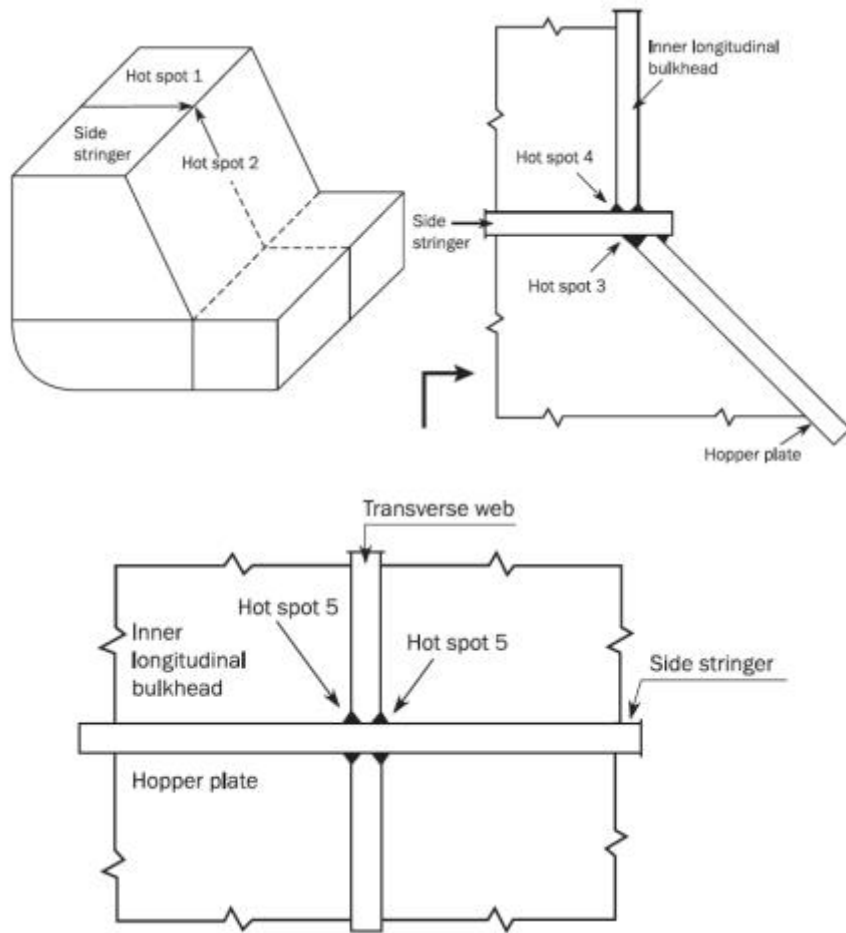


Table 6 : Hot spots for connection of longitudinal stiffener and transverse web including cut-outs and lug plates

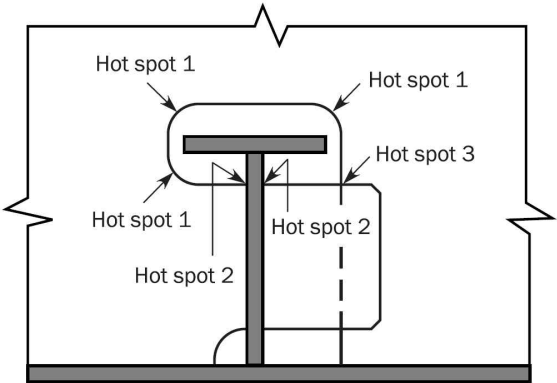
| Hot spot location | Procedure for calculation of hot spot stress |
|---|--|
| Hot spot 1: Corners of the cut-out edge | Ch 9, Sec 5, [3.2] |
| Hot spot 2: Connection of transverse web/lug-plate to longitudinal stiffener web in way of slot | Ch 9, Sec 5, [3.1], type 'a' |
| Hot spot 3: Overlapping connection between transverse web and lug plate | Ch 9, Sec 5, [3.1], type 'a' |
|  | |

Table 7 : Hot spots for scallops in way of block connections joints at deck

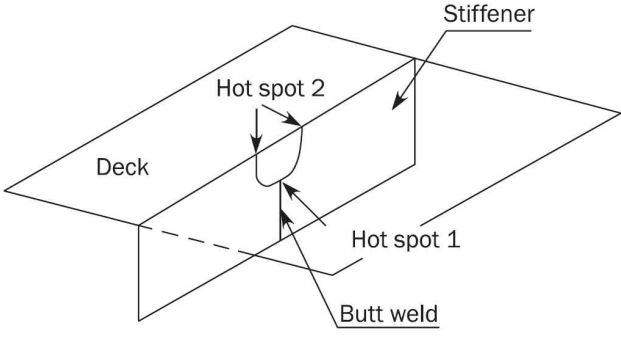
| Hot spot location | Procedure for calculation of hot spot stress |
|--|--|
| Hot spot 1: Butt weld in longitudinal stiffener web in way of scallop | Ch 9, Sec 5, [3.1], type 'b' |
| Hot spot 2: Deck plate in way of scallop. | Ch 9, Sec 5, [3.1], type 'b' |
|  | |

Table 8 : Hot spots for deck plating and longitudinal liquid dome end bracket toe

| Hot spot location | Procedure for calculation of hot spot stress |
|--|--|
| Hot spot 1: Inner deck and liquid dome corner radiused edge Hot spot 3: Radius of liquid dome bracket toe | Ch 9, Sec 5, [3.2] |
| Hot spot 2: Deck plating in way of liquid dome bracket toe | Ch 9, Sec 5, [3.1], type 'a' |
| Hot spot 4: Where a face plate is fitted to the bracket, the weld connection of face plate to bracket in way of the face plate termination | Ch 9, Sec 5, [3.1], type 'b' |

The diagrams illustrate the locations of hot spots on a ship's deck structure. Hot spot 1 is located at the inner deck and liquid dome corner radiused edge. Hot spot 2 is located at the deck plating in way of the liquid dome bracket toe. Hot spot 3 is located at the radius of the liquid dome bracket toe. Hot spot 4 is located at the weld connection of a face plate to the bracket. The diagrams also show longitudinal and transverse liquid domes.

Section 3 – Fatigue Evaluation

Symbols

For symbols not defined in this section, refer to **Ch 1, Sec 4**.

- (*i*) : Suffix which denotes load case HSM, FSM, BSR-P, BSR-S, BSP-P, BSP-S, OST-P or OST-S specified in **Ch 4, Sec 2, [3]**.
 '*i1*' denotes load case: HSM-1, FSM-1, BSR-1P, BSR-1S, BSP-1P, BSP-1S, OST-1P or OST-1S.
 '*i2*' denotes load case: HSM-2, FSM-2, BSR-2P, BSR-2S, BSP-2P, BSP-2S, OST-2P or OST-2S.
- (*j*) : Suffix which denotes loading condition: Full load, normal ballast as defined in **Ch 9, Sec 1, [6.2]**.
- $T_{C,25}$: Time in corrosive environment, in years, within the duration of the minimum design life ($T_{D,25}$) as defined in **[5.3.1]**.
- $T_{D,25}$: Minimum design life, in years, as defined in **[5.3.1]**.
- T_C : Time in corrosive environment, in years, within the duration of the design fatigue life (T_{DF}) as defined in **[5.3.1]**.
- T_{DF} : Design fatigue life, in year, as defined in **Ch 9, Sec 1**.
- T_F : Fatigue life, in year, calculated according to **[5]**.
- m* : Inverse slope of the design S-N curve, as given in **Table 2** for in-air environment and in **Table 3** for corrosive environment. The inverse slope for S-N curves in-air environment changes from *m* to *m*+2 at $N = 10^7$ cycles.
- n_{LC} : Number of applicable loading conditions, as defined in **Ch 9, Sec 1, [6.2]**.
- f_c : Correction factor as defined in **Ch 9, Sec 1, [5.1.2]**.
- f_{thick} : Correction factor for plate thickness effect given in **[3.3]**.
- $f_{mean, i(j)}$: Correction factor for mean stress effect given in **[3.2]**.

1. Fatigue Analysis Methodology

1.1 Cumulative damage

1.1.1

The fatigue assessment of the structure is based on the application of the Palmgren–Miner cumulative damage D taken as:

$$D = \sum_{i=1}^{n_{tot}} \frac{n_i}{N_i}$$

where:

- n_i : Number of cycles at stress range $\Delta \sigma_i$
 N_i : Number of cycles to failure at stress range $\Delta \sigma_i$
 n_{tot} : Total number of stress range blocks
i : Stress range block index

1.1.2

As the long term stress range distribution of a structural detail in a ship can be described by a two-parameter Weibull distribution, as given in **Ch 9, Sec 1, [3.1.1]**, fatigue damage can be obtained by means of a closed-form equation, as given in **[5]**.

1.2 Fatigue strength assessment

1.2.1

Assessment of the fatigue strength of structural members according to **[2]** includes the following three steps:

- a) Calculation of stress ranges, according to **[3]**.
- b) Selection of the design S-N curve, according to **[4]**.
- c) Calculation of the cumulative damage and the fatigue life calculation, according to **[5]**.

2. Acceptance Criteria

2.1 Fatigue life and acceptance criteria

2.1.1

The calculated fatigue life, T_F , is to comply with the following formula:

$$T_F \geq T_{DF}$$

3. Reference Stresses for Fatigue Assessment

3.1 Fatigue stress range

3.1.1

The fatigue stress range for each load case of each loading condition is defined in **[3.1.2]** for welded joints and in **[3.1.3]** for base material free edge.

The stress range of each loading condition (j) to be considered is the stress range obtained from the predominant load case, according to **Ch 9, Sec 1, [7.1.2]**.

$$\Delta \sigma_{FS, (j)} = \max_i (\Delta \sigma_{FS, i(j)})$$

where:

$\Delta \sigma_{FS, i(j)}$: Fatigue stress range, in N/mm², for load case (i) of loading condition (j), as defined in **[3.1.2]** for welded joints and in **[3.1.3]** for base material free edge.

3.1.2 Welded joints

For welded joints, the fatigue stress range $\Delta \sigma_{FS, i(j)}$, in N/mm², corrected for mean stress effect, thickness effect and warping effect, is taken as:

- For simplified stress analysis:

$$\Delta \sigma_{FS, i(j)} = f_{mean, i(j)} \cdot f_{thick} \cdot f_{warp} \cdot \Delta \sigma_{HS, i(j)}$$

- For FE analysis:

- For web-stiffened cruciform joints:

$$\Delta \sigma_{FS, i(j)} = f_w \cdot f_s \cdot \max (\Delta \sigma_{FS1, i(j)}, \Delta \sigma_{FS2, i(j)})$$

- For other joints:

$$\Delta \sigma_{FS, i(j)} = \max_{(SideL, SideR)} [\max(\Delta \sigma_{FS1, i(j)}, \Delta \sigma_{FS2, i(j)})]$$

where:

f_w : Correction factor for the effect of stress gradient along weld line given as 0.96

f_s : Correction factor for the effect of supporting member given as 0.95

$\Delta \sigma_{HS, i(j)}$: Hot spot stress range, in N/mm², due to dynamic loads in load case (*i*) of loading condition (*j*) given in **Ch 9, Sec 4, [2.1.1]**.

$\Delta \sigma_{FS1, i(j)}$: Fatigue stress range, in N/mm², due to the principal hot spot stress range $\Delta \sigma_{HS1, i(j)}$

$$\Delta \sigma_{FS1, i(j)} = f_{mean, i(j)} \cdot f_{thick} \cdot f_c \cdot \Delta \sigma_{HS1, i(j)}$$

$\Delta \sigma_{FS2, i(j)}$: Fatigue stress range, in N/mm², due to the principal hot spot stress range $\Delta \sigma_{HS2, i(j)}$

$$\Delta \sigma_{FS2, i(j)} = 0.9 \cdot f_{mean2, i(j)} \cdot f_{thick} \cdot f_c \cdot \Delta \sigma_{HS2, i(j)}$$

SideL, SideR : Left and right side respectively of the line A-A as shown in **Ch 9, Sec 5, Figure 9** and **Ch 9, Sec 5, Figure 10**.

$f_{mean1, i(j)}$: Correction factor for mean stress effect given in **[3.2]**.

$f_{mean2, i(j)}$: Correction factor for mean stress effect given in **[3.2]**.

f_{warp} : Correction factor due to warping effect, taken as:

$$\bullet f_{warp} = 1.0$$

$\Delta \sigma_{HS1, i(j)}$: Principal hot spot stress ranges, in N/mm², due to dynamic loads for load case (*i*) of loading condition (*j*) which acts within $\pm 45^\circ$ of the perpendicular to the weld toe, determined in **Ch 9, Sec 5, [3.1.2]**, **Ch 9, Sec 5, [3.3.2]** and **Ch 9, Sec 5, [4.2.3]** for the two types of shell elements (4-node or 8-node).

$\Delta \sigma_{HS2, i(j)}$: Principal hot spot stress ranges, in N/mm², due to dynamic loads for load case (*i*) of loading condition (*j*) which acts outside $\pm 45^\circ$ of the perpendicular to the weld toe, determined in **Ch 9, Sec 5, [3.1.2]** and **Ch 9, Sec 5, [4.2.3]** for the two types of shell elements (4-node or 8-node).

3.1.3 Base material free edge

For base material free edge, the fatigue stress range, $\Delta \sigma_{FS, i(j)}$ in N/mm², is taken as the local stress range at free edge, $\Delta \sigma_{BS, i(j)}$, as defined in **Ch 9, Sec 1, [2.4]** with correction factors:

$$\Delta \sigma_{FS, i(j)} = K_{sf} \cdot f_{material} \cdot f_{mean, i(j)} \cdot f_{thick} \cdot f_c \cdot \Delta \sigma_{BS, i(j)}$$

where:

K_{sf} : Surface finishing factor for base material given in **[4.2.3]**.

$f_{material}$: Correction factor for material strength, taken as:

$$f_{material} = \frac{1200}{965 + R_{eH}}$$

$\Delta \sigma_{BS, i(j)}$: Local stress range, in N/mm², due to dynamic loads in load case (*i*) of loading condition (*j*) taken as:

$$\Delta \sigma_{BS, i(j)} = |\sigma_{BS, i1(j)} - \sigma_{BS, i2(j)}|$$

$\Delta \sigma_{BS, i1(j)}, \Delta \sigma_{BS, i2(j)}$: Local stress, in N/mm², in load case '*i1*' and '*i2*' of loading condition (*j*), obtained by very fine mesh FE analysis specified in **Ch 9, Sec 5**.

3.2 Mean stress effect

3.2.1 Correction factor for mean stress effect

The mean stress correction factor to be considered for each principal hot spot stress range of welded joint, $\Delta \sigma_{HS,i(j)}$, or for local stress range at free edge, $\Delta \sigma_{BS,i(j)}$, is taken as:

a) For welded joint:

$$f_{mean,i(j)} = \begin{cases} \min \left[1.0, 0.9 + 0.2 \frac{\sigma_{mCor,i(j)}}{2 \Delta \sigma_{HS,i(j)}} \right] & \text{for } \sigma_{mCor,i(j)} \geq 0 \\ \max \left[0.3, 0.9 + 0.8 \frac{\sigma_{mCor,i(j)}}{2 \Delta \sigma_{HS,i(j)}} \right] & \text{for } \sigma_{mCor,i(j)} < 0 \end{cases}$$

b) For base material:

$$f_{mean,i(j)} = \begin{cases} \min \left[1.0, 0.8 + 0.4 \frac{\sigma_{mCor,i(j)}}{2 \Delta \sigma_{BS,i(j)}} \right] & \text{for } \sigma_{mCor,i(j)} \geq 0 \\ \max \left[0.3, 0.8 + \frac{\sigma_{mCor,i(j)}}{2 \Delta \sigma_{BS,i(j)}} \right] & \text{for } \sigma_{mCor,i(j)} < 0 \end{cases}$$

where:

$$\sigma_{mCor,i(j)} = \begin{cases} \sigma_{mean,i(j)} & \text{for } \sigma_{max} \leq R_{eEq} \\ R_{eEq} - \sigma_{max} + \sigma_{mean,i(j)} & \text{for } \sigma_{max} > R_{eEq} \end{cases}$$

$$\sigma_{max} = \begin{cases} \max_{i,(j)} (\Delta \sigma_{HS,i(j)} + \sigma_{mean,i(j)}) & \text{for welded joint} \\ \max_{i,(j)} (\Delta \sigma_{BS,i(j)} + \sigma_{mean,i(j)}) & \text{for base material} \end{cases}$$

$$R_{eEq} = \max(315; R_{eH})$$

$\sigma_{mean,i(j)}$: Fatigue mean stress, in N/mm², for base material according to [3.2.2] or welded joint calculated according to [3.2.3] or [3.2.4] as applicable.

3.2.2 Mean stress for base material free edge

The fatigue mean stress for base material free edge, $\sigma_{mean,i(j)}$, in N/mm², due to static and dynamic loads case 'i1' and 'i2' of loading condition (j) is calculated by the following formula based on local stress:

$$\sigma_{mean,i(j)} = \frac{\sigma_{BS,i1(j)} + \sigma_{BS,i2(j)}}{2}$$

3.2.3 Mean stress for simplified method

The fatigue mean stress to be considered for welded joint assessed by the simplified stress analysis is to be obtained from Ch 9, Sec 4, [2.2].

3.2.4 Mean stress for FE analysis

The fatigue mean stresses for welded joint due to static and dynamic loads, $\sigma_{mean,i(j),pX}$ and $\sigma_{mean,i(j),pY}$, in N/mm², for load cases 'i1' and 'i2' of loading condition (j), belonging to the two principal hot spot stress range directions, pX and pY , is calculated by the following formula based on hot spot stress components as defined in Ch 9, Sec 5, [3.1.2], Ch 9, Sec 5, [3.3.2] and Ch 9, Sec 5, [4.2.3]:

$$\sigma_{mean,i(j),pX} = \frac{(\sigma_{HS,i1(j)})_{xx} + (\sigma_{HS,i2(j)})_{xx} + (\sigma_{HS,i1(j)})_{yy} + (\sigma_{HS,i2(j)})_{yy}}{4} +$$

$$\left(\frac{(\sigma_{HS,1(j)})_{xx} + (\sigma_{HS,2(j)})_{xx} - (\sigma_{HS,1(j)})_{yy} - (\sigma_{HS,2(j)})_{yy}}{4} \right) \cdot \cos 2\theta + \left(\frac{(\sigma_{HS,1(j)})_{xy} + (\sigma_{HS,2(j)})_{xy}}{2} \right) \cdot \sin 2\theta$$

$$\sigma_{mean,i(j),pY} = \frac{(\sigma_{HS,1(j)})_{xx} + (\sigma_{HS,2(j)})_{xx} + (\sigma_{HS,1(j)})_{yy} + (\sigma_{HS,2(j)})_{yy}}{4} -$$

$$\left(\frac{(\sigma_{HS,1(j)})_{xx} + (\sigma_{HS,2(j)})_{xx} - (\sigma_{HS,1(j)})_{yy} - (\sigma_{HS,2(j)})_{yy}}{4} \right) \cdot \cos 2\theta - \left(\frac{(\sigma_{HS,1(j)})_{xy} + (\sigma_{HS,2(j)})_{xy}}{2} \right) \cdot \sin 2\theta$$

θ : Angle between the direction x of the element coordinate system and the principal direction pX of the principal hot spot stress range coordinate system (Ch 9, Sec 5, [3.1.2], Ch 9, Sec 5, [4.2.3]). The direction x of the element coordinate system is defined as the normal to the weld toe.

The one of the two mean stresses $\sigma_{mean,i(j),pX}$ and $\sigma_{mean,i(j),pY}$ which has a principal stress direction with an absolute value less than 45° is defined as $\sigma_{mean1,i(j)}$, belonging to $\Delta\sigma_{HS1,i(j)}$. The other mean stress is defined as $\sigma_{mean2,i(j)}$ belonging to $\Delta\sigma_{HS2,i(j)}$.

3.3 Thickness effect

3.3.1

Plate thickness primarily influences the fatigue strength of welded joints through the effect of geometry, and through-thickness stress distribution. The correction factor, f_{thick} , for plate thickness effect is taken as:

- For simplified stress analysis

$$f_{thick} = 1.0 \quad \text{for } t_{n50} \leq 22 \text{ mm}$$

$$f_{thick} = (t_{n50}/22)^n \quad \text{for } t_{n50} > 22 \text{ mm}$$
- For finite stress analysis

$$f_{thick} = 1.0 \quad \text{for } t_{gr} \leq 22 \text{ mm,}$$

$$f_{thick} = (t_{gr}/22)^n \quad \text{for } t_{gr} > 22 \text{ mm}$$

where:

t_{n50} : Net thickness of the considered member in way of the hot spot for welded joints or base material free edge, in mm, for simplified stress analysis.

- The net thickness to be considered for stiffeners is as follows:
 - Flat bar and Bulb profile: no correction,
 - Angle bar and T-bar: flange net thickness.

t_{gr} : Gross thickness of the considered member in way of the hot spot for welded joints or base material free edge where the crack is likely to initiate and propagate, in mm, for FE analysis.

- For 90° attachments, i.e. cruciform welded joints, transverse T-joints and plates with transverse attachment, the gross thickness to be considered is to be taken as:

$$t_{gr} = \min\left(\frac{d}{2}, t_{1-gr}\right)$$

n : Thickness exponent provided in Table 1 and Table 4 respectively for welded and non-welded joints. n is to be selected according to the considered stress direction. For this selection, $\Delta\sigma_{HS1}$ and $\Delta\sigma_{HS2}$ are considered perpendicular and parallel to the weld respectively.

d : Toe distance, in mm, as shown in Figure 1, taken as:

$$d = t_{2-gr} + 2\ell_{\leq g}$$

t_{1-gr} : Gross thickness, in mm, of the continuous plate as shown in Figure 1.

t_{2-gr} : Gross thickness, in mm, of the transverse attach plate where the hot spot is assessed, as shown in **Figure 1**.

$l_{\leq g}$: Fillet weld leg length, in mm.

When post-weld treatment methods are applied to improve the fatigue life of considered welded joint, the thickness exponent is provided in **[6]**.

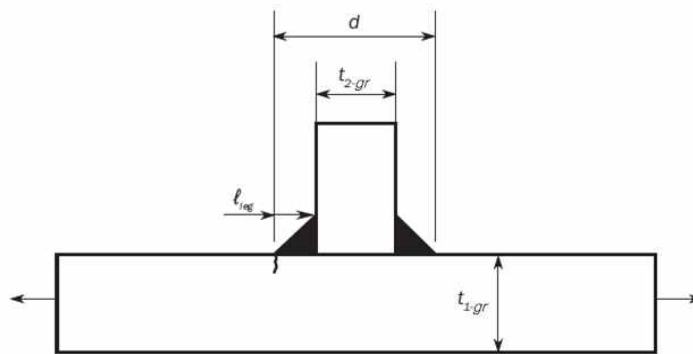
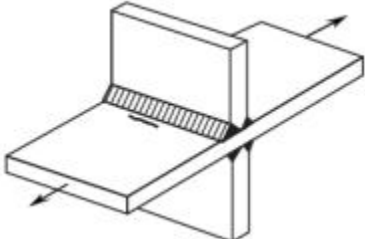
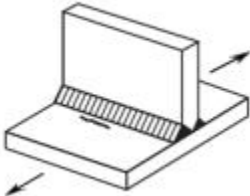

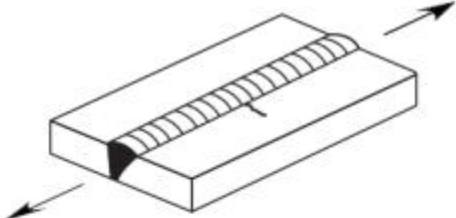
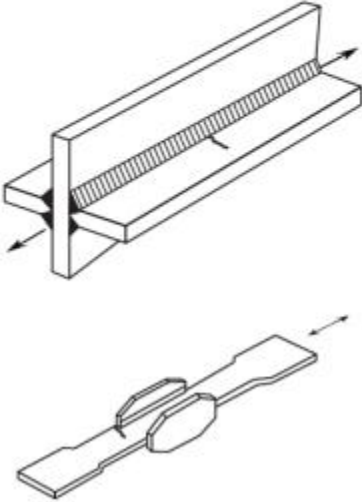
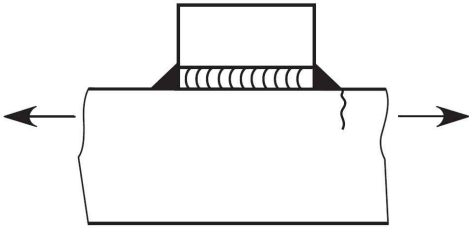
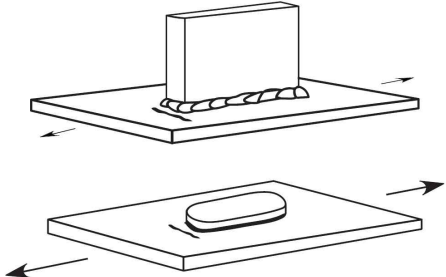
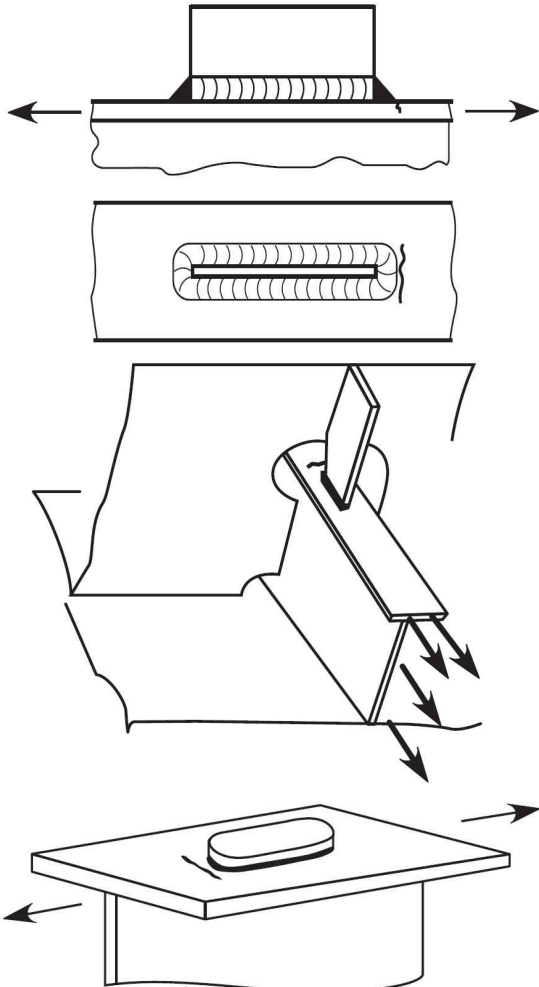


Figure 1 : Toe distance for cruciform welded joints, transverse T-joints and plates with transverse attachment

Table 1 : Welded joints: thickness exponents

| No | Joint category description | Geometry | Condition | n |
|----|---|--|--|------|
| 1 | Cruciform joints, transverse T-joints, plates with transverse attachments |  | As-welded | 0.25 |
| | |  | Weld toe treated by post-weld improvement method | 0.2 |
| 2 | Transverse butt welds |  | As-welded | 0.2 |
| | | | Ground flush or weld toe treated by post-weld improvement method | 0.1 |
| 3 | Longitudinal welds or attachments to plate edges |  | Any | 0.1 |
| | |  | Weld toe treated by post-weld improvement method | 0.1 |

| No | Joint category description | Geometry | Condition | <i>n</i> |
|----|---|---|---|----------|
| 4 | Longitudinal attachments on the flat bar or bulb profile |  | Any | 0 |
| | | | Weld toe treated by post-weld improvement method ⁽¹⁾ | 0 |
| 5 | Longitudinal attachments and doubling plates |  | As-welded | 0.2 |
| | | | Weld toe treated by post-weld improvement method | 0.1 |
| 6 | Longitudinal attachments and doubling plates supported longitudinally |  | As-welded | 0.1 |
| | | | Weld toe treated by post-weld improvement method ⁽¹⁾ | 0 |

⁽¹⁾ No benefit applicable for post-weld treatment of longitudinal end connections.

4. S–N Curves

4.1 Basic S–N curves

4.1.1 Capacity

The capacity of welded steel joints and steel base material with respect to fatigue strength is defined by S–N curves which provide the relationship between the stress range applied to the detail and the number of constant amplitude load cycles to failure.

4.1.2 Design S–N curves

The fatigue assessment is based on use of S–N curves which are obtained from fatigue tests. The design S–N curves are established at two standard deviations below the mean S–N curves corresponding to 50% of probability of survival for relevant experimental data. Design S–N curves given in **Table 2** and **Table 3** correspond to a probability of survival of 97.7%.

4.1.3 S–N curve scope of application

The S–N curves are applicable to normal and high strength steels up to a specified minimum yield stress equal to 390 N/mm².

4.1.4 In–air environment

The basic design curves in–air environment shown in **Figure 2** are represented by linear relationships between $\log(\Delta\sigma)$ and $\log(N)$ as follows:

$$\log(N) = \log(K_2) - m \cdot \log(\Delta\sigma)$$

where:

$$\log(K_2) = \log(K_1) - 2\log(\delta).$$

K_1 : Constant related to mean S–N curve, as given in **Table 2**.

K_2 : Constant related to design S–N curve, as given in **Table 2**.

δ : Standard deviation of $\log(N)$, as given in **Table 2**.

$\Delta\sigma_q$: Stress range at $N = 10^7$ cycles related to design S–N curve, in N/mm², as given in **Table 2**.

Table 2 : Basic S–N curve data, in–air environment

| Class | K_1 | | m | Standard deviation δ | K_2 | Design stress range at 10^7 cycles | Design stress range at 2×10^6 cycles |
|-------|----------|-----------------|-----|--------------------------------|----------|--|---|
| | K_1 | $\log_{10} K_1$ | | $\log_{10} \delta$ | K_2 | $\Delta\sigma_q$ N/mm ² | N/mm ² |
| B | 2.343E15 | 15.3697 | 4.0 | 0.1821 | 1.013E15 | 100.2 | 149.9 |
| C | 1.082E14 | 14.0342 | 3.5 | 0.2041 | 4.227E13 | 78.2 | 123.9 |
| D | 3.988E12 | 12.6007 | 3.0 | 0.2095 | 1.519E12 | 53.4 | 91.3 |

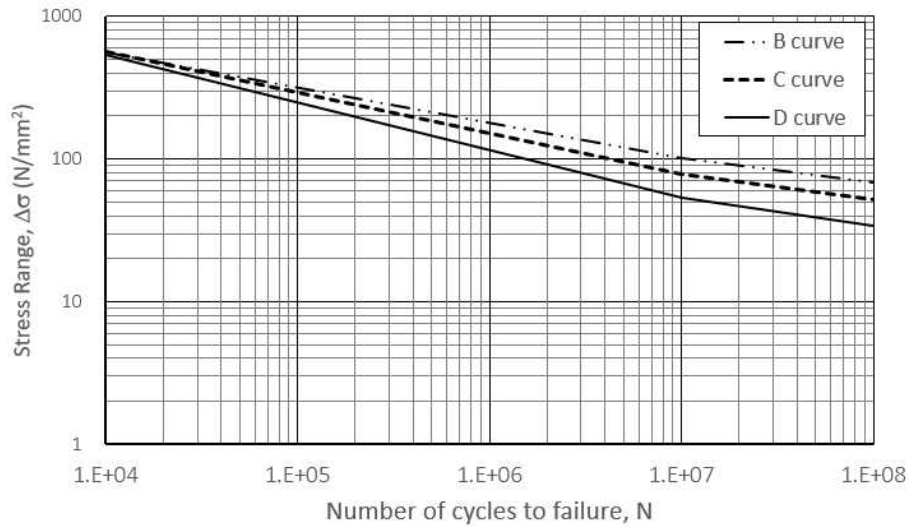


Figure 2 : Basic design S-N curves, in-air environment

4.1.5 Corrosive environment

The basic design curves for corrosive environment shown in Figure 3 are represented by linear relationships between $\log(\Delta\sigma)$ and $\log(N)$ as follows:

$$\log(N) = \log(K_2) - m \log(\Delta\sigma)$$

where:

N : Predicted number of cycles to failure under stress range $\Delta\sigma$.

K_2 : Constant related to design S-N curve as given in Table 3.

Table 3 : Basic S-N curve data, corrosive environment

| Class | K_2 | m | Design stress range at 2×10^6 cycles, N/mm ² |
|------------|-----------------------|-----|--|
| B_{corr} | 5.05×10^{14} | 4.0 | 126.1 |
| C_{corr} | 2.12×10^{13} | 3.5 | 101.6 |
| D_{corr} | 7.60×10^{11} | 3.0 | 72.4 |

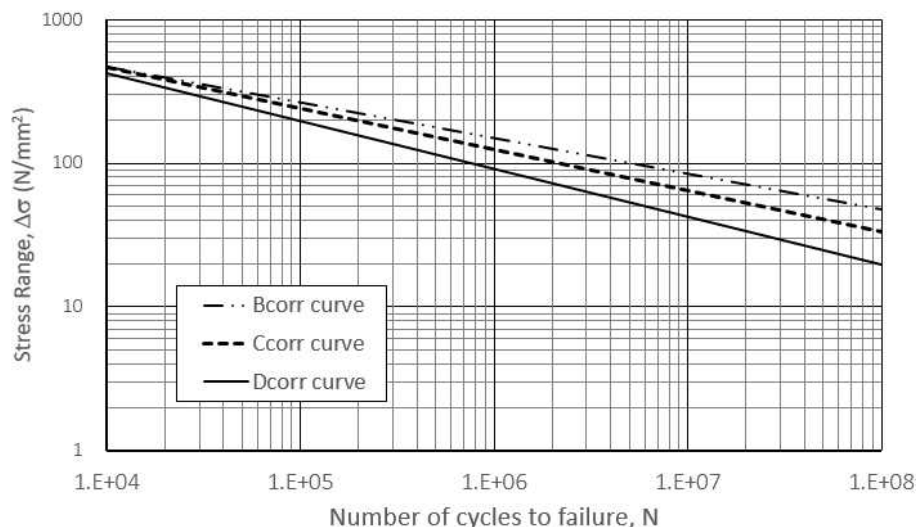


Figure 3 : Basic design S-N curves, corrosive environment

4.2 Selection of S-N curves

4.2.1 Welded joints

For fatigue assessment of welded joints exposed to in-air environment, S-N curve D as defined in **Table 2** is to be used. For corrosive environment, S-N curve D_{corr} as defined in **Table 3** is to be used.

4.2.2 Base material free edge

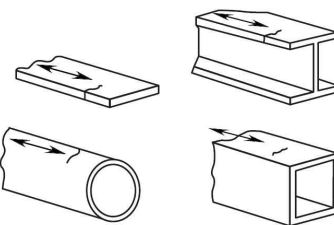
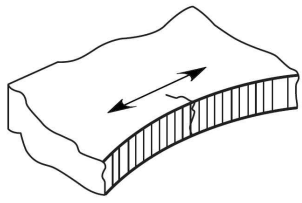
For fatigue assessment of base material at free edge exposed to in-air environment, S-N curves B or C as defined in **Table 2** are to be used. For corrosive environment, S-N curves B_{corr} or C_{corr} as defined in **Table 3** are to be used.

4.2.3 Surface finishing factor

The S-N curve C is applicable to most of non-welded locations taking into account the likelihood of some notching from corrosion, wear and tear in service with surface finishing factor as given in **Table 4**.

Higher surface finishing quality may be applied in using S-N curve B as given in **Table 4**, provided adequate protective measures are taken against wear, tear and corrosion and finite element analysis according to **Ch 9, Sec 5, [2]** is carried out.

Table 4 : Non-welded joints: thickness exponent and surface finishing factor

| Joint configuration, fatigue crack location and stress direction | Edge cutting process | Edge treatment | Surface finishing | n | k_{sf} | S-N curve |
|---|---|--|--|-----|----------|-----------|
| <p>1</p> <p>Rolled or extruded plates and sections as well as seamless pipes, no surface or rolling defects</p>  | N/A | N/A | No surface nor roll defect ⁽¹⁾⁽²⁾ | 0 | 0.94 | B |
| <p>2</p> <p>Cut edges</p>  | Machine cutting e.g. by a thermal process or sheared edge cutting | Cutting edges chamfered or rounded by means of smooth grinding, groove direction parallel to the loading direction | Smooth surface free of cracks and notches ⁽¹⁾⁽²⁾ | 0.1 | 1.00 | B |
| | | Cutting edges broken or rounded | Smooth surface free of cracks and notches ⁽¹⁾⁽²⁾ | 0.1 | 1.07 | B |
| | | No edge treatment | Surface free of cracks and severe notches (inspection procedure) ⁽¹⁾⁽²⁾ | 0.1 | 1.00 | C |
| | Manually thermally cut e.g. by flame cutting | No edge treatment | Surface free of cracks and severe notches (inspection procedure) ⁽¹⁾⁽²⁾ | 0.1 | 1.24 | C |
| <p>(1) Stress increase due to geometry of cut-outs to be considered.</p> <p>(2) Fine mesh FE analysis according to Ch 9, Sec 5, [2].</p> | | | | | | |

5. Fatigue Damage Calculation

5.1 General

5.1.1

The design fatigue life is divided into a number of time periods due to different loading conditions and due to limitation of the corrosion protection.

It is assumed that the corrosion protection (i.e. coating system) is only effective for a limited number of years during which the structural details are protected, i.e. in-air environment. During the remaining part of the design life as specified in Table 5, the structural details are unprotected i.e. exposed to corrosive environment.

5.1.2

The elementary fatigue damage, given in [5.2], is the damage accumulated during a specific loading condition (j) associated with a specific environmental condition either protected condition, i.e. in-air environment, or unprotected condition, i.e. corrosive environment.

The combined fatigue damage, given in [5.3], is the combination of damage accumulated for a specific

loading condition (j) for the in-air and corrosive environment time.

Total fatigue damage, given in [5.4], is the sum of the combined fatigue damages obtained for all loading conditions.

5.2 Elementary fatigue damage

5.2.1

The elementary fatigue damage for each fatigue loading condition (j) is to be calculated independently for both protected in-air environment and unprotected corrosive environment, based on the fatigue stress range obtained for the predominant load case as follows:

$$D_{E(j)} = \frac{\alpha_{(j)} \cdot N_D}{K_2} \frac{\Delta \sigma_{FS,(j)}^m}{(\ln N_R)^{m/\xi}} \cdot \mu_{(j)} \cdot \Gamma\left(1 + \frac{m}{\xi}\right)$$

where:

N_D : Total number of wave cycles experienced by ship during the design fatigue life, taken as:

$$N_D = 31.557 \times 10^6 (f_0 T_{DF}) / (4 \log L)$$

f_0 : Factor taking into account time in seagoing operations excluding time in loading and unloading, repairs, etc.

$$f_0 = 0.85$$

$\alpha_{(j)}$: Fraction of time in each loading condition given in **Ch 9, Sec 1, Table 1**.

$\Delta \sigma_{FS,(j)}$: Fatigue stress range at the reference probability level of exceedance of 10^{-2} , in N/mm².

N_R : Number of cycles corresponding to the reference probability of exceedance of 10^{-2} .

$$N_R = 100$$

ξ : Weibull shape parameter,

$$\xi = 1$$

$\Gamma(x)$: Complete Gamma function.

K_2 : Constant of the design S-N curve, as given in **Table 2** for in-air environment and in **Table 3** for corrosive environment.

$\mu_{(j)}$: Coefficient taking into account the change of inverse slope of the S-N curve, m ,

- For in-air environment:

$$\mu_{(j)} = 1 - \frac{\left\{ \gamma\left(1 + \frac{m}{\xi}, \nu_{(j)}\right) - \nu_{(j)}^{-\Delta m/\xi} \cdot \gamma\left(1 + \left(\frac{m + \Delta m}{\xi}\right), \nu_{(j)}\right) \right\}}{\Gamma\left(1 + \frac{m}{\xi}\right)}$$

$$\nu_{(j)} = \left(\frac{\Delta \sigma_q}{\Delta \sigma_{FS,(j)}} \right)^\xi \ln N_R$$

- For corrosive environment:

$$\mu_{(j)} = 1.0$$

$\gamma(a, x)$: Incomplete Gamma function.

$\Delta \sigma_q$: Stress range, in N/mm², corresponding to the intersection of the two segments of design S-N curve at $N = 10^7$ cycles, as given in **Table 2**.

Δm : Change in inverse slope of S-N curve at $N = 10^7$ cycles.

$$\Delta m = 2$$

5.3 Combined fatigue damage

5.3.1

The combined fatigue damage in protected in-air environment and unprotected corrosive environment for each loading condition (j) is to be calculated as follows:

$$D_{(j)} = D_{E, air(j)} \cdot \frac{T_{DF} - T_C}{T_{DF}} + D_{E, corr(j)} \cdot \frac{T_C}{T_{DF}}$$

where:

$D_{E, air(j)}$: The elementary fatigue damage for in-air environment for loading condition (j) given in [5.2.1].

$D_{E, corr(j)}$: The elementary fatigue damage for corrosive environment for loading condition (j) as calculated in [5.2.1].

$T_{C,25}$: Time in corrosive environment, in years, within the duration of the minimum design life ($T_{D,25}$) as defined in Table 5.

$T_{D,25}$: Minimum design life, in years, to be taken as 25 years.

T_C : Time in corrosive environment, in years, within the duration of the design fatigue life (T_{DF}) to be taken as:

$$T_C = T_{DF} - (T_{D,25} - T_{C,25})$$

Table 5 : Time in corrosive environment, $T_{C,25}$

| Location of weld joint or structural detail | Time in corrosive environment $T_{C,25}$, in years |
|---|--|
| Water ballast tank | 5 |
| Cargo hold | 0 |
| Void space | |
| Other areas | |

5.4 Total fatigue damage

5.4.1

The total fatigue damage for all applicable loading conditions is calculated as follows:

$$D = \sum_{j=1}^{n_{LC}} D_{(j)}$$

where:

$D_{(j)}$: Combined fatigue damage for each applicable loading condition, as given in [5.3].

5.5 Fatigue life calculation

5.5.1

The fatigue life, T_F , is taken as:

$$T_F = \frac{T_{DF}}{D_{air}} \quad \text{if } \frac{T_{DF}}{D_{air}} \leq (T_{DF} - T_C)$$

$$T_F = T_{DF} - T_C + \left(\frac{T_{DF}}{D_{air}} - T_{DF} + T_C \right) \frac{D_{air}}{D_{corr}} \quad \text{otherwise}$$

where:

D_{air} : Total fatigue damage for all loading conditions in-air environment taken as:

$$D_{air} = \sum_{j=1}^{n_{LC}} D_{E,air}(j)$$

D_{corr} : Total fatigue damage for all loading conditions in corrosive environment taken as:

$$D_{corr} = \sum_{j=1}^{n_{LC}} D_{E,corr}(j)$$

6. Weld Improvement Methods

6.1 General

6.1.1 (2023)

Post-weld fatigue strength improvement methods are to be considered as a supplementary means of achieving the required fatigue life, and subjected to quality control procedures and corrosion protection in accordance with **Ch 3, Sec 4**.

6.1.2 Limitation of the benefit of post-weld treatment

For structural details where the benefit of post-weld treatment is applicable, the calculated fatigue life at the design stage for the considered structural detail excluding the post-weld treatment effects, is not to be less than $T_{DF}/1.47$.

Note 1: When T_{DF} is taken equal to 25 years, the calculated fatigue life at the design stage for the considered structural detail excluding the post-weld treatment effects, is not to be less than 17 years.

6.1.3 Post-weld treatment at fabrication stage

There is one basic post-weld treatment method considered in these Rules to improve fatigue strength at the fabrication stage, i.e. weld geometry control and defect removal method by burr grinding.

6.1.4 Weld toe

The improvement method is applied to the weld toe. Thus, it is intended to increase the fatigue life of the weld from the viewpoint of a potential fatigue failure arising at the weld toe. The possibility of failure initiation at other locations is always to be considered. If the failure is shifted from the weld toe to the root by applying post-weld treatment, there may be no significant improvement in the overall fatigue performance of the joint. Improvements of the weld root cannot be expected from treatment applied to weld toe.

A brief description of the method and the degree of improvement which can be achieved is given in **[6.2]**.

6.1.5 Weld type for post-weld treatment

When weld improvements are planned, full or partial penetration welds with a minimum root face according to **Ch 12, Sec 3, [2.4]** are to be used to mitigate or to eliminate the possibility of cracking at the weld root.

6.2 Weld toe burr grinding

6.2.1

The weld may be machined using a burr grinding tool to produce a favourable shape to reduce stress concentrations and remove defects at the weld toe, see **Figure 4**. In order to eliminate defects, such as intrusions, undercuts and cold laps, the material in way of the weld toe is to be removed. The depth of grinding shall be at least 0.5 mm below the bottom of any visible undercut. The total depth of the burr grinding is not to be greater than the lesser of 2 mm and of 7% the local gross thickness of the machined plate. Any undercut not complying with this requirement is to be repaired by an approved method.

6.2.2

To avoid introducing a detrimental notch effect due to small radius grooves, the burr diameter is to be scaled to the plate thickness at the weld toe being ground. The diameter is to be in the 10 to 25 mm range for application to welded joints with plate thickness from 10 to 50 mm. The resulting root radius of the groove is to be no less than $0.25 t_{as-built}$. The weld throat thickness and leg length after burr grinding must comply with the rule requirements or any increased weld sizes as indicated on the approved drawings.

The inspection procedure is to include a check of the weld toe radius, the depth of burr grinding, and confirmation that the weld toe undercut has been removed completely.

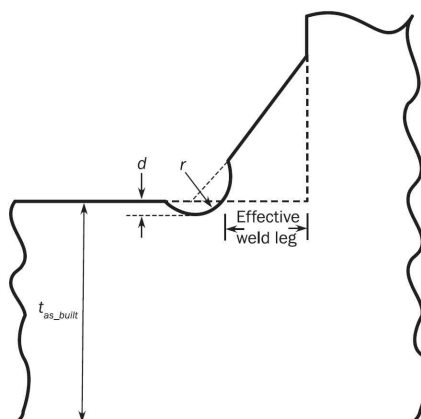


Figure 4 : Details of ground weld toe geometry

6.3 Fatigue improvement factor

6.3.1

The benefit of burr grinding corresponds to an increase in fatigue strength by a factor of 1.3 (i.e. a reduction of the effective stress range by 1.3), reducing the damage in air to $D_{air}/2.2$,

where:

D_{air} : Fatigue damage in air as given in **Ch 9, Sec 3, [5.3.1]**.

6.4 Applicability

6.4.1 (2023)

The application of post-weld improvement and fatigue improvement factor provided in this section is subject to following limitations:

- The weld type complies with **[6.1.5]**.

- The weld improvement is effective in improving the fatigue strength of structural details under high cycle fatigue conditions therefore the fatigue improvements factors do not apply to low-cycle fatigue conditions, i.e. when $N \leq 5 \times 10^4$, where N is the number of life cycles to failure.
- Unless otherwise specifically stated, the fatigue improvement factor is to be used for welds, joining steel plates which are between 6 and 50 mm thick.
- Fatigue improvement factor is to be applied to as-welded transverse butt welds, as-welded T-joint and cruciform welds and as-welded longitudinal attachment welds excluding longitudinal end connections.
- In way of areas prone to mechanical damage, fatigue improvement may only be granted if these are adequately protected.
- Treatment of inter-bead toes is required for large multi-pass welds as shown in **Figure 5**.
- The builder is to provide the list of details and their locations on the ship for which the post-weld treatment has been applied.

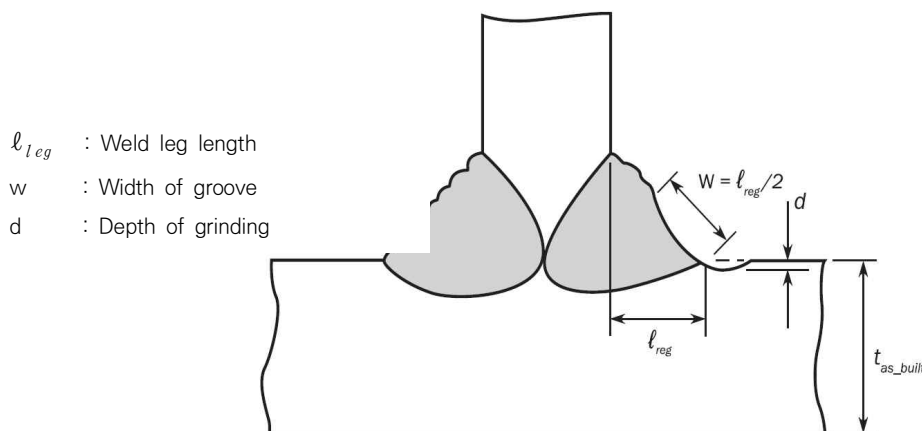


Figure 5 : Extent of weld toe burr grinding to remove inter-bead toes on weld surface

7. Workmanship

7.1 Application

7.1.1

In general, the fatigue performance of structural details can be improved by adopting enhanced workmanship standards, which include building alignment and weld control.

7.2 Workmanship control for construction details

7.2.1 Building alignment and tolerance control

Building alignment exceeding construction tolerance could introduce additional stress concentration for structural details, reducing the fatigue performance. The builder is responsible to comply with the construction requirements given in **Ch 12, Sec 1**.

7.2.2 Weld profile control

Poor weld geometry could introduce additional stress concentration; therefore special attention should be given to achieving a favourable geometry and smooth transition at the weld toe. Weld profile control, i.e. enhanced workmanship may be required by the Society in way of critical weld toe locations.

The weld notch stress concentration is a direct function of the weld flank angle and the weld toe radius.

The validity of the aforementioned S-N curves is based on a weld flank angle with a maximum mean value of 50 deg and on a weld toe radius with a minimum mean value of 0.5 mm. Welding details may be requested to be submitted for approval for some critical areas considering the calculated fatigue life.

7.2.3 Post-weld treatment methods

Post-weld treatment methods may be used to improve fatigue resistance of structural detail, as specified in [6].

At the design stage, the calculated fatigue life should not generally take into account any benefit that may be derived from such treatment. This benefit should only be considered in exceptional cases when the design fatigue life can not reasonably be achieved by adopting alternative design measures such as improvement of the shape of the cut-outs, soft brackets toes, local increase in thickness or other changes in geometry of the structural detail. This is to be considered on a case-by-case basis by the Society.

7.2.4 Detail design standard

Requirements for improved design of structural details are provided in **Ch 9, Sec 6**. The detail design standard also includes workmanship and welding requirements.

Section 4 – Simplified Stress Analysis

Symbols

For symbols not defined in this section, refer to **Ch 1, Sec 4**.

- (*i*) : Suffix which denotes dynamic load case HSM, FSM, BSR-P, BSR-S, BSP-P, BSP-S, OST-P or OST-S specified in **Ch 4, Sec 2, [3.1]**.
'i1' denotes dynamic load case HSM-1, FSM-1, BSR-1P, BSR-1S, BSP-1P, BSP-1S, OST-1P or OST-1S.
'i2' denotes dynamic load case HSM-2, FSM-2, BSR-2P, BSR-2S, BSP-2P, BSP-2S, OST-2P or OST-2S.
- (*j*) : Suffix which denotes loading condition:
'Full load' or 'Normal ballast' as defined in **Ch 9, Sec 1, [6.2]**.
- l_{bdg} : Effective bending span of stiffener, in m, as defined in **Ch 3, Sec 7**.
- I_{y-n50} : Net vertical hull girder moment of inertia, at the longitudinal position being considered, in m⁴.
- I_{z-n50} : Net horizontal hull girder moment of inertia, at the longitudinal position being considered, in m⁴.
- y : Transverse coordinate of the load calculation point under consideration, in m.
- z : Vertical coordinate of the load calculation point under consideration, in m.
- z_n : Distance from the baseline to the horizontal neutral axis, in m.
- f_c : Correction factor as defined in **Ch 9, Sec 1, [5.1.2]**.
- K_a : Geometrical stress concentration factor for stress due to axial load given in **[5.2]**.
- K_b : Geometrical stress concentration factor for stress due to lateral pressure given in **[5.2]**.
- K_n : Stress concentration factor due to unsymmetrical stiffener geometry, as defined in **[5.1]**.

1. General

1.1 Application

1.1.1

This section defines the procedure for a simplified stress assessment which is to be used to evaluate the fatigue strength of the longitudinal stiffener end connections.

1.1.2

The hot spot stress ranges and hot spot mean stresses in way of each end connection of longitudinal stiffener, as shown in **Figure 1** are to be evaluated at the flange of the longitudinal stiffener

Stress concentration factors due to unsymmetrical stiffener geometry according **[5.1]** and due to the stiffener end connection geometry at point 'A' and 'B' according to **[5.2]** are to be applied.

1.2 Assumptions

1.2.1

The following assumptions are made in the fatigue assessment for longitudinal stiffener end connections:

- a) The hot spot stress is based on:

- Nominal stresses.
- Stress concentration factors given in [5].
- Loading conditions specified in Ch 9, Sec 1, [6].

b) The longitudinal stiffener end connection types are described in [5.2].

1.2.2

The end connections given in [5.2] are based on typical joint geometry under axial and lateral loadings. When a structural detail is different from those shown in Table 3, a finite element analysis is to be used to demonstrate the adequacy of the detail in terms of fatigue strength, according to [5.3].

2. Hot Spot Stress

2.1 Hot spot stress range

2.1.1

The hot spot stress range, in N/mm², due to dynamic loads for load case (*i*) of loading condition (*j*) is obtained from the following formula:

$$\Delta \sigma_{HS, i(j)} = |(\sigma_{GD, i1(j)} + \sigma_{LD, i1(j)}) - (\sigma_{GD, i2(j)} + \sigma_{LD, i2(j)})|$$

where:

$\sigma_{GD, i1(j)}, \sigma_{GD, i2(j)}$: Stresses due to global hull girder wave bending moments, in N/mm², as defined in [3.1.1].

$\sigma_{LD, i1(j)}, \sigma_{LD, i2(j)}$: Stresses due to local dynamic pressure, in N/mm², as defined in [4.1.1].

2.2 Hot spot mean stress

2.2.1

The hot spot mean stress, in N/mm², due to static and dynamic loads for load case (*i*) of loading condition (*j*) is obtained from the following formula:

$$\sigma_{mean, i(j)} = \sigma_{GS, (j)} + \sigma_{LS, (j)} + \sigma_{mLD, i(j)} + \sigma_{mGD, i(j)}$$

where for the load case (*i*) of loading condition (*j*):

$\sigma_{GS, (j)}$: Stress due to still water hull girder bending moment, in N/mm², as defined in [3.2.1].

$\sigma_{LS, (j)}$: Stress due to local static pressure, in N/mm², as defined in [4.1.2].

$\sigma_{mLS, (j)}$: Mean stress due to local dynamic pressure, in N/mm², as defined as:

$$\sigma_{mLD, i(j)} = \frac{\sigma_{LD, i1(j)} + \sigma_{LD, i2(j)}}{2}$$

$\sigma_{LD, i1(j)}, \sigma_{LD, i2(j)}$: Stress due to local dynamic pressure, in N/mm², as defined in [4.1.1].

$\sigma_{mGD, (j)}$: Mean stress due to global wave bending moment, in N/mm², as defined as:

$$\sigma_{mGD, i(j)} = \frac{\sigma_{GD, i1(j)} + \sigma_{GD, i2(j)}}{2}$$

$\sigma_{GD, i1(j)}, \sigma_{GD, i2(j)}$: Stress due to global wave bending moment, in N/mm², as defined in [3.1.1].

3. Hull Girder Stress

3.1 Stress due to hull girder wave bending moments

3.1.1

The hull girder hot spot stress, in N/mm², for load cases *i1* and *i2* of loading condition (*j*) is obtained from the following formula:

$$\sigma_{GD, ik(j)} = f_c \cdot K_a \left(\frac{M_{wv-LC, ik}}{I_{y-n50}} (z - z_n) - \frac{M_{wh-LC, ik}}{I_{z-n50}} y \right) 10^{-3}$$

where:

$M_{wv-LC, ik}$: Vertical wave bending moment, in kNm, of the considered dynamic load case, as defined in **Ch 4, Sec 4**, at the hull girder load calculation point of the considered longitudinal position for the loading condition (*j*) for *ik* being equal to *i1* and *i2*.

$M_{wh-LC, ik}$: Horizontal wave bending moment, in kNm, of the considered dynamic load case, as defined in **Ch 4, Sec 4**, at the hull girder load calculation point of the considered longitudinal position for the loading condition (*j*) for *ik* being equal to *i1* and *i2*.

3.2 Stress due to still water hull girder bending moment

3.2.1

The hull girder hot spot stress due to still water bending moment, in N/mm², in loading condition (*j*) is obtained from the following formula:

$$\sigma_{GS, (j)} = \frac{f_c \cdot K_a \cdot \beta_{(j)} \cdot M_{sw} \cdot (z - z_n)}{I_{y-n50}} 10^{-3}$$

where:

M_{sw} : Permissible still water vertical bending moment, in kNm, as defined in **Ch 4, Sec 4** at the hull girder load calculation point of the considered longitudinal position.

$\beta_{(j)}$: Fraction of permissible still water vertical bending moment, as defined in **Table 1**.

Table 1 : Fraction of permissible still water vertical bending moments, $\beta_{(j)}$

| Loading conditions | $\beta_{(j)}$ |
|--------------------|--------------------------|
| Homogeneous | 1.0 in sagging condition |
| Normal ballast | 0.8 in hogging condition |

4. Local Stiffener Stress

4.1 Stress due to stiffener bending

4.1.1 Stress due to dynamic pressure

The hot spot stress, in N/mm², due to local dynamic pressure in load case *i1* and *i2* for loading condition (*j*) is obtained from the following formula:

$$\sigma_{LD, ik(j)} = \frac{K_b K_n s \ell_{bdg}^2 (\eta_w f_{NL} P_{w, ik(j)} + \eta_{ld} P_{id, ik(j)}) \left(1 - \frac{6x_e}{\ell_{bdg}} + \frac{6x_e^2}{\ell_{bdg}^2} \right)}{12 Z_{eff-n50}}$$

where:

$P_{W,ik(j)}$: Dynamic wave pressure, at the mid span, in kN/m^2 , specified in **Ch 4, Sec 5, [1.4]**, in load case $i1$ and $i2$ for loading condition (j).

$P_{ld,ik(j)}$: Dynamic liquid tank pressure, at the mid span, in kN/m^2 , as specified in **Ch 4, Sec 6, [1.1.1]**, in load case $i1$ and $i2$ for loading condition (j).

Pressure acting on both sides of the stiffener, i.e. applied on the attached plate on stiffener side or on opposite side to the stiffener, could be simultaneously considered if relevant in the loading condition.

η_W, η_{ld} : Pressure normal coefficients, taken as:

$\eta = 1$ when the considered pressure is applied on the stiffener side,
 $\eta = -1$ otherwise.

f_{NL} : Correction factor for the non-linearity of the wave pressure taken as:

$$f_{NL} = 1 \quad \text{for } z > T_{LC} + 2h_w$$

$$f_{NL} = 2.5 \frac{z - T_{LC}}{h_w} - 4 \quad \text{for } T_{LC} + 1.8h_w < z \leq T_{LC} + 2h_w$$

$$f_{NL} = 0.5 \frac{z - T_{LC}}{h_w} - 0.4 \quad \text{for } T_{LC} + 1.6h_w < z \leq T_{LC} + 1.8h_w$$

$$f_{NL} = 0.4 \quad \text{for } T_{LC} + 1.2h_w < z \leq T_{LC} + 1.6h_w$$

$$f_{NL} = 0.7 - 0.25 \frac{z - T_{LC}}{h_w} \quad \text{for } T_{LC} + 0.6h_w < z \leq T_{LC} + 1.2h_w$$

$$f_{NL} = 1 - 0.75 \frac{z - T_{LC}}{h_w} \quad \text{for } T_{LC} - 0.2h_w < z \leq T_{LC} + 0.6h_w$$

$$f_{NL} = 0.1875 \frac{z - T_{LC}}{h_w} + 1.1875 \quad \text{for } T_{LC} - h_w < z \leq T_{LC} - 0.2h_w$$

$$f_{NL} = 1 \quad \text{for } z \leq T_{LC} - h_w$$

h_w : Water head equivalent to the pressure at waterline, in m, as defined in **Ch 4, Sec 5**.

x_e : Distance, in m, to the hot spot from the closest end of the span ℓ_{bdg} , as defined in **Figure 1**.

$Z_{eff-n50}$: Net section modulus, in cm^3 , of the considered stiffener calculated considering an effective breadth b_{eff} of attached plating.

b_{eff} : Effective breadth, in mm, of attached plating specified at the ends of the span and in way of end brackets and supports, taken as:

$$b_{eff} = s \cdot \min(100\ell ; 0.42s + 30\ell)$$

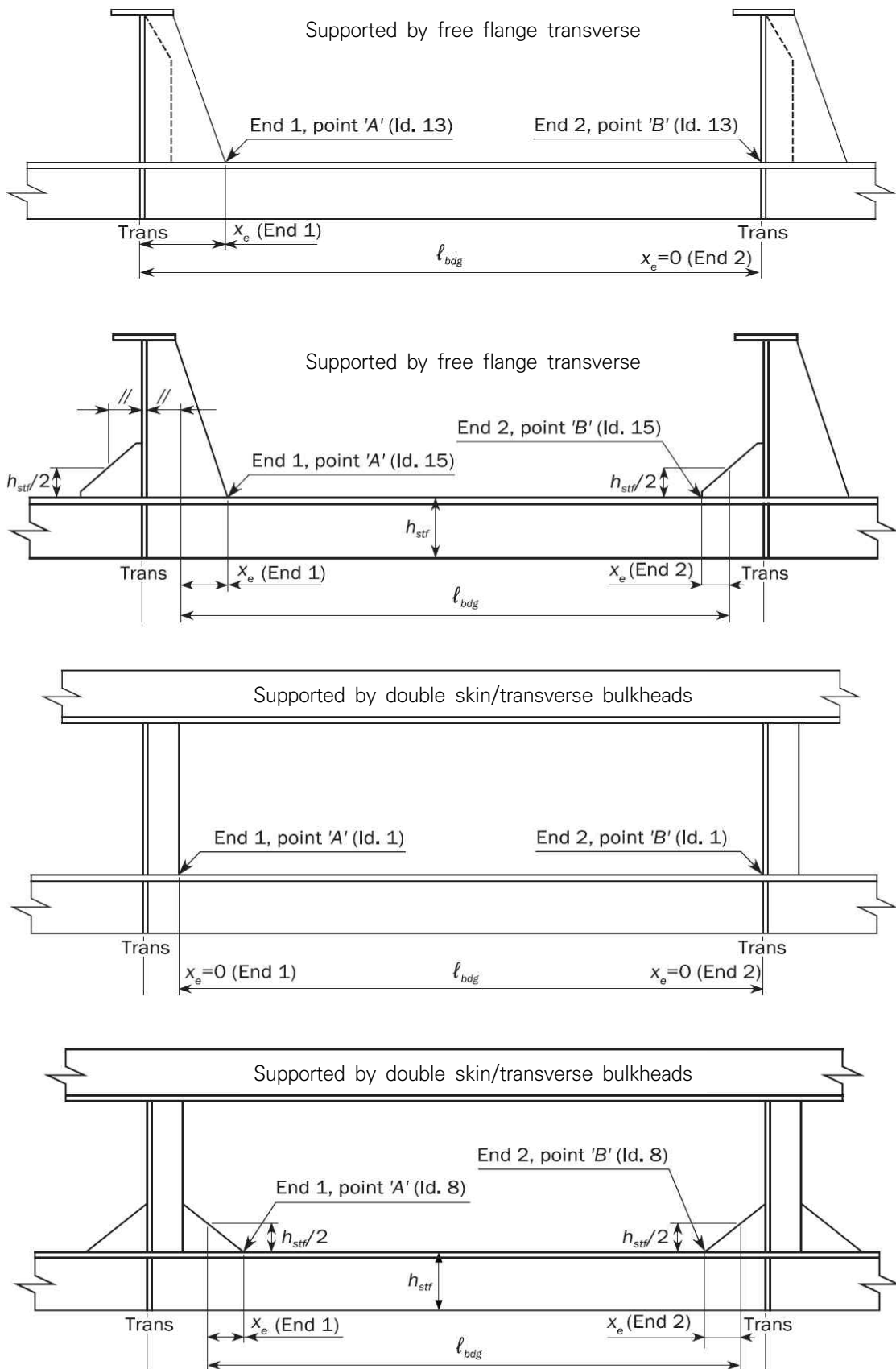


Figure 1 : Definition of effective span and x_e for hot spot

4.1.2 Stress due to static pressure

The hot spot stress due to local static pressure, in N/mm², for loading condition (*j*) is obtained from the following formula:

$$\sigma_{LS, (j)} = \frac{K_b K_n s \ell_{bdg}^2 (\eta_s P_{S, (j)} + \eta_{ls} P_{ls, (j)}) \left(1 - \frac{6x_e}{\ell_{bdg}} + \frac{6x_e^2}{\ell_{bdg}^2}\right)}{12 Z_{eff-n50}}$$

where:

$P_{S, (j)}$: Static external pressure, in kN/m², in loading condition (*j*) specified in **Ch 4, Sec 5, [1.2]**.

$P_{ls, (j)}$: Static liquid tank pressure, in kN/m², in loading condition (*j*) specified in **Ch 4, Sec 6, [1.2]**.

Pressure acting on both sides could be simultaneously considered if relevant in the loading condition.

η_s, η_{ls} : Pressure normal coefficients, taken as:

$\eta = 1$ when the considered pressure is applied on the stiffener side,

$\eta = -1$ otherwise.

5. Stress Concentration Factors

5.1 Unsymmetrical stiffener

5.1.1

The stress concentration factor K_n for unsymmetrical flange of built-up and rolled angle stiffeners under lateral load, calculated at the web's mid-thickness position, as shown in **Figure 2**, is to be taken as:

$$K_n = \frac{1 + \lambda \beta^2}{1 + \lambda \beta^2 \psi_Z}$$

where:

$$\lambda = \frac{3\left(1 + \frac{\eta}{280}\right)}{1 + \frac{\eta}{40}}$$

$$\eta = \frac{\ell_{bdg}^4 \cdot 10^{12}}{b_{f-n50}^3 \times t_{f-n50} \times h_{stf-n50}^2 \left(\frac{4 \cdot h_{stf-n50}}{t_{w-n50}^3} + \frac{s}{t_p^3}\right)}$$

$$\beta = 1 - \frac{2b_{g-n50}}{b_{f-n50}} \text{ for built-up profiles.}$$

$$\beta = 1 - \frac{2t_{w-n50}}{b_{f-n50}} \text{ for rolled angle profiles.}$$

b_{g-n50} : Eccentricity of the stiffener equal to the distance from flange's edge to web's centreline, in mm, as shown in **Figure 3**.

b_{f-n50} : Net breadth of flange, in mm, as shown in **Figure 3**.

t_{f-n50} : Net flange thickness, in mm, as shown in **Figure 3**.

$h_{stf-n50}$: Net stiffener height, including face plate, in mm, as shown in **Figure 3**.

t_{w-n50} : Net web thickness, in mm, as shown in **Figure 3**.

h_{w-n50} : Net web's height stiffener, in mm, as shown in **Figure 3**.

t_{p-n50} : Net thickness of attached plating, in mm, as shown in **Figure 3**.

ψ_z : Coefficient given as:

$$\psi_z = \frac{h_{w-n50}^2 t_{w-n50}}{4 Z_{n50}} 10^{-3}$$

Z_{n50} : Net section modulus, in cm³, of stiffener with an attached plating breadth equal to the stiffener spacing.

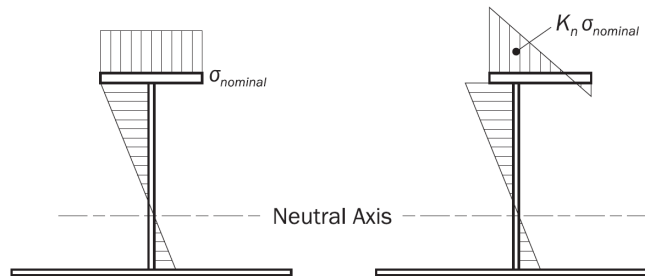


Figure 2 : Bending stress in stiffener with symmetrical and unsymmetrical flange

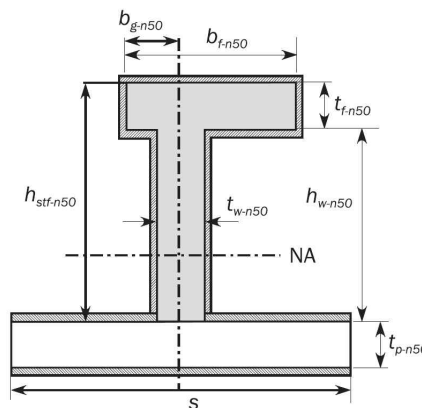


Figure 3 : Stiffener - net scantling

5.1.2 Bulb profiles

For bulb profiles K_n factor is to be calculated using the equivalent built-up profile as shown in **Figure 4**. The flange of the equivalent built-up profile is to have the same properties as the bulb flange, i.e. same cross sectional area and moment of inertia about the vertical axis and neutral axis position.

For HP bulb profiles, examples of the equivalent built up profile dimensions are listed in **Table 2**.

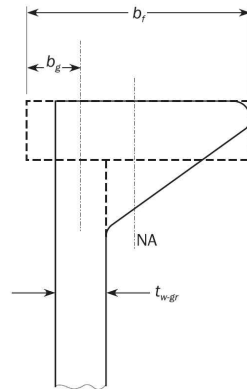


Figure 4 : Bulb profile and equivalent built-up profile

Table 2 : HP equivalent built-up profile dimensions

| HP-bulb | | Equivalent built-up flange in gross thickness | | |
|-------------|--------------------------------------|---|-----------------|----------------------|
| Height (mm) | Gross web thickness, t_{w-gr} (mm) | b_f (mm) | t_{f-gr} (mm) | b_g (mm) |
| 200 | 9 - 13 | $t_{w-gr} + 24.5$ | 22.9 | $(t_{w-gr} + 0.9)/2$ |
| 220 | 9 - 13 | $t_{w-gr} + 27.6$ | 25.4 | $(t_{w-gr} + 1.0)/2$ |
| 240 | 10 - 14 | $t_{w-gr} + 30.3$ | 28.0 | $(t_{w-gr} + 1.1)/2$ |
| 260 | 10 - 14 | $t_{w-gr} + 33.0$ | 30.6 | $(t_{w-gr} + 1.3)/2$ |
| 280 | 10 - 14 | $t_{w-gr} + 35.4$ | 33.3 | $(t_{w-gr} + 1.4)/2$ |
| 300 | 11 - 16 | $t_{w-gr} + 38.4$ | 35.9 | $(t_{w-gr} + 1.5)/2$ |
| 320 | 11 - 16 | $t_{w-gr} + 41.0$ | 38.5 | $(t_{w-gr} + 1.6)/2$ |
| 340 | 12 - 17 | $t_{w-gr} + 43.3$ | 41.3 | $(t_{w-gr} + 1.7)/2$ |
| 370 | 13 - 19 | $t_{w-gr} + 47.5$ | 45.2 | $(t_{w-gr} + 1.9)/2$ |
| 400 | 14 - 19 | $t_{w-gr} + 51.7$ | 49.1 | $(t_{w-gr} + 2.1)/2$ |
| 430 | 15 - 21 | $t_{w-gr} + 55.8$ | 53.1 | $(t_{w-gr} + 2.3)/2$ |

5.2 Longitudinal stiffener end connections

5.2.1

The stress concentration factors K_a and K_b are given in **Table 3** for end connection of stiffeners subjected to axial and lateral loads. The values given in **Table 3** for soft toe are valid provided the toe geometry complies with the requirements given in [5.2.5].

5.2.2 Other connection types

When connection types other than those given in **Table 3** are proposed, the fatigue strength for the proposed connection type is to be assessed either by performing a very fine mesh FE analysis as described in **Ch 9, Sec 5** to obtain directly the hot spot stress, or by calculating the stress concentration factor using FE analysis according to [5.3].

5.2.3 Overlapped connection

Overlapped connection types for longitudinal stiffeners, i.e. attachments welded to the web of the longitudinals, are not to be used in the cargo hold region.

5.2.4 Soft toe of web stiffener and backing bracket

The toe geometry end connection of web stiffener and backing bracket is to comply with the following:

$$\theta \leq 20$$

$$h_{toe} \leq \max(t_{bkt-gr}; 15)$$

where:

θ : Angle of the toe, in deg, as shown in **Figure 5**.

h_{toe} : Height of the toe, in mm, as shown in **Figure 5**.

t_{bkt-gr} : Gross thickness of the bracket, in mm.

5.2.5 Recommended detail designs

Recommended detail designs for longitudinal end connections with soft toes and backing brackets are given in **Figure 6**.

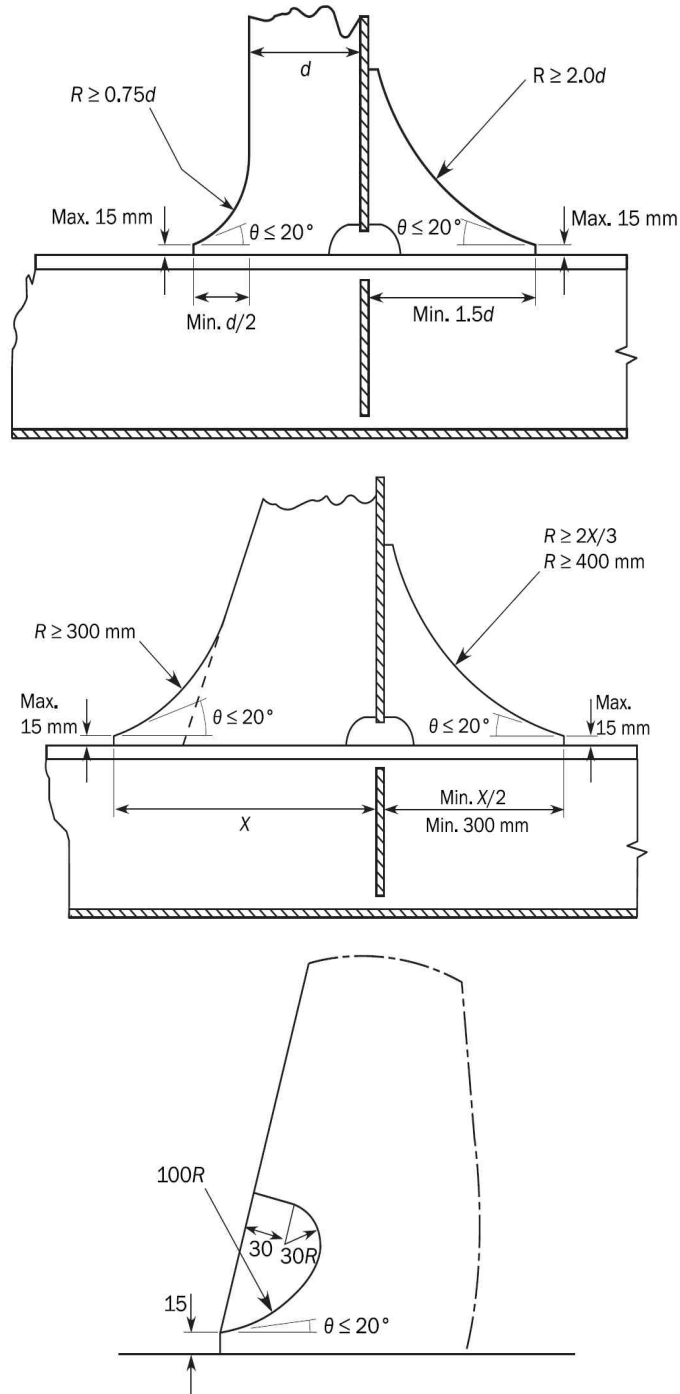
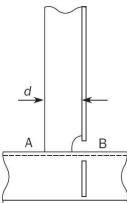
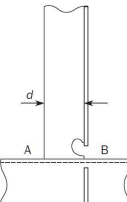
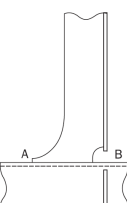
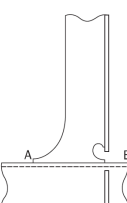
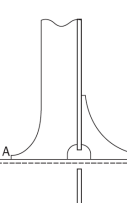
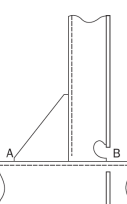
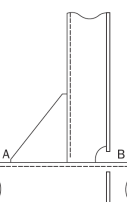
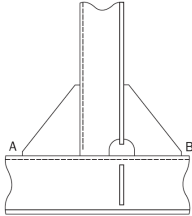
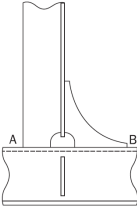
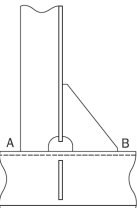
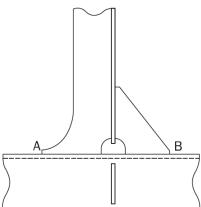
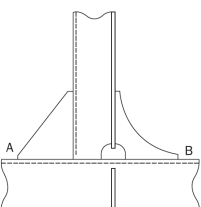
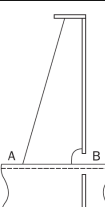
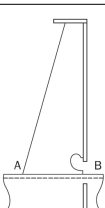
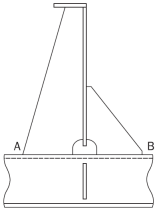
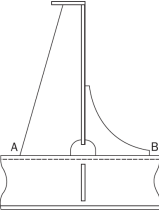
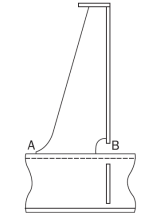
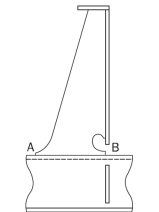
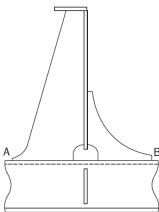
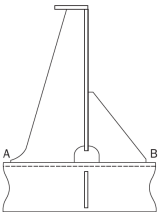
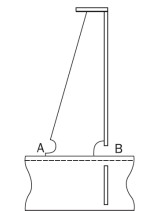


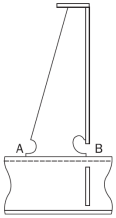
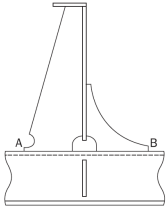
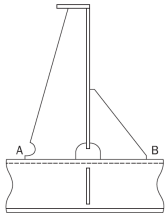
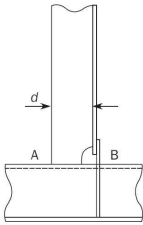
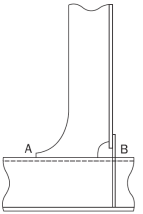
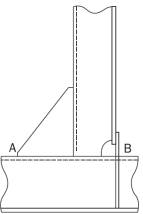
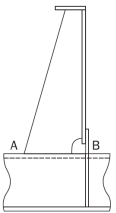
Figure 5 : Detail design for soft toes and backing brackets

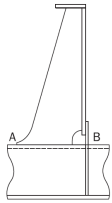
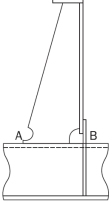
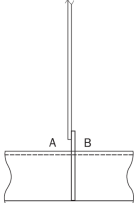
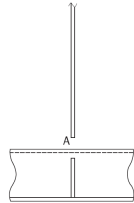
Table 3 : Stress concentration factors

| ID | Connection type ⁽²⁾⁽³⁾ | Point 'A' | | Point 'B' | |
|------------------|---|--|--|--|-------|
| | | K_a | K_b | K_a | K_b |
| 1 ⁽¹⁾ |  | 1.28 for $d \leq 150$ 1.36 for $150 < d \leq 250$ 1.45 for $d > 250$ | 1.40 for $d \leq 150$ 1.50 for $150 < d \leq 250$ 1.60 for $d > 250$ | 1.28 for $d \leq 150$ 1.36 for $150 < d \leq 250$ 1.45 for $d > 250$ | 1.60 |
| 2 ⁽¹⁾ |  | 1.28 for $d \leq 150$ 1.36 for $150 < d \leq 250$ 1.45 for $d > 250$ | 1.40 for $d \leq 150$ 1.50 for $150 < d \leq 250$ 1.60 for $d > 250$ | 1.14 for $d \leq 150$ 1.24 for $150 < d \leq 250$ 1.34 for $d > 250$ | 1.27 |
| 3 |  | 1.28 | 1.34 | 1.52 | 1.67 |
| 4 |  | 1.28 | 1.34 | 1.34 | 1.34 |
| 5 |  | 1.28 | 1.34 | 1.28 | 1.34 |
| 6 |  | 1.52 | 1.67 | 1.34 | 1.34 |
| 7 |  | 1.52 | 1.67 | 1.52 | 1.67 |

| ID | Connection type ⁽²⁾⁽³⁾ | Point 'A' | | Point 'B' | |
|----|---|-----------|-------|-----------|-------|
| | | K_a | K_b | K_a | K_b |
| 8 |  | 1.52 | 1.67 | 1.52 | 1.67 |
| 9 |  | 1.52 | 1.67 | 1.28 | 1.34 |
| 10 |  | 1.52 | 1.67 | 1.52 | 1.67 |
| 11 |  | 1.28 | 1.34 | 1.52 | 1.67 |
| 12 |  | 1.52 | 1.67 | 1.28 | 1.34 |
| 13 |  | 1.52 | 1.67 | 1.52 | 1.67 |
| 14 |  | 1.52 | 1.67 | 1.34 | 1.34 |

| ID | Connection type ⁽²⁾⁽³⁾ | Point 'A' | | Point 'B' | |
|----|---|-----------|-------|-----------|-------|
| | | K_a | K_b | K_a | K_b |
| 15 |  | 1.52 | 1.67 | 1.52 | 1.67 |
| 16 |  | 1.52 | 1.67 | 1.28 | 1.34 |
| 17 |  | 1.28 | 1.34 | 1.52 | 1.67 |
| 18 |  | 1.28 | 1.34 | 1.34 | 1.34 |
| 19 |  | 1.28 | 1.34 | 1.28 | 1.34 |
| 20 |  | 1.28 | 1.34 | 1.52 | 1.67 |
| 21 |  | 1.28 | 1.34 | 1.52 | 1.67 |

| ID | Connection type ⁽²⁾⁽³⁾ | Point 'A' | | Point 'B' | |
|-------------------|---|--|--|--|--|
| | | K_a | K_b | K_a | K_b |
| 22 |  | 1.28 | 1.34 | 1.34 | 1.34 |
| 23 |  | 1.28 | 1.34 | 1.28 | 1.34 |
| 24 |  | 1.28 | 1.34 | 1.52 | 1.67 |
| 25 ⁽¹⁾ |  | 1.28 for $d \leq 150$ 1.36 for $150 < d \leq 250$ 1.45 for $d > 250$ | 1.40 for $d \leq 150$ 1.50 for $150 < d \leq 250$ 1.60 for $d > 250$ | 1.14 for $d \leq 150$ 1.24 for $150 < d \leq 250$ 1.34 for $d > 250$ | 1.25 for $d \leq 150$ 1.36 for $150 < d \leq 250$ 1.47 for $d > 250$ |
| 26 |  | 1.28 | 1.34 | 1.34 | 1.47 |
| 27 |  | 1.52 | 1.67 | 1.34 | 1.47 |
| 28 |  | 1.52 | 1.67 | 1.34 | 1.47 |

| ID | Connection type ⁽²⁾⁽³⁾ | Point 'A' | | Point 'B' | |
|-------------------------|---|-----------|-------|-----------|-------|
| | | K_a | K_b | K_a | K_b |
| 29 |  | 1.28 | 1.34 | 1.34 | 1.47 |
| 30 |  | 1.28 | 1.34 | 1.34 | 1.47 |
| 31 ⁽⁴⁾ |  | 1.13 | 1.20 | 1.13 | 1.20 |
| 32 ⁽⁴⁾⁽⁵⁾⁽⁶⁾ |  | 1.13 | 1.14 | N/A | N/A |

NOTE:

- (1) The attachment length d , in mm, is defined as the length of the welded attachment on the longitudinal stiffener flange without deduction of scallop.
- (2) Where the longitudinal stiffener is a flat bar and there is a web stiffener/bracket welded to the flat bar stiffener, the stress concentration factor listed in the table is to be multiplied by a factor of 1.12 when the thickness of attachment is thicker than the 0.7 times thickness of flat bar stiffener. This also applies to unsymmetrical profiles where there is less than 8mm clearance between the edge of the stiffener flange and the attachment, e.g. bulb or angle profiles where the clearance of 8 mm cannot be achieved.
- (3) Designs with overlapped connection / attachments, See [5.2.3].
- (4) ID. 31 and 32 refer to details where web stiffeners are omitted or not connected to the longitudinal stiffener flange. See [5.2.4].
- (5) For connection type ID. 32 with no collar and/or web plate welded to the flange, the stress concentration factors provided in this table are to be used irrespective of slot configuration.
- (6) The fatigue assessment point 'A' is located at the connection between the stiffener web and the transverse web frame or lug plate.

5.3 Alternative design

5.3.1 Derivation of alternative stress concentration factors

Upon agreement by the Society, the geometrical stress concentration factors for alternative designs are to be calculated by a very fine mesh FE analysis according to the requirements given in **Ch 9, Sec 5**. Additional requirements for derivation of geometrical stress concentration factors for stiffener end connections using very fine mesh FE analysis are given below:

- a) FE model extent: the FE model, as shown in **Figure 6**, is to cover at least four web frame spacings in the longitudinal stiffener direction with the detail to be considered located at the middle frame. The same type of end connection is to be modelled at all the web frames. In the transverse direction, the model may be limited to one stiffener spacing.
- b) Load application: in general, two loading cases are to be considered:
 - Axial loading by enforced displacement applied to the model ends and
 - Lateral loading by unit pressure load applied to the shell plating.
- c) Boundary conditions:
 - Symmetry conditions are applied along the longitudinal cut of the plate flange, along transverse and vertical cuts on web frames and on top of the web stiffener.
 - For lateral pressure loading: the model is to be fixed in all degrees of freedom at both forward and aft ends.
 - For axial loading: the model is to be fixed for displacement in the longitudinal direction at the aft end of the model while enforced axial displacement is applied at the forward end, or vice versa.
- d) FE mesh density: At the location of the hot spots under consideration, the element size is to be in the order of the thickness of the stiffener flange or 10 mm depending on the type of stiffener. In the remaining part of the model, the element size is to be in the order of $s/10$, where s is the stiffener spacing.

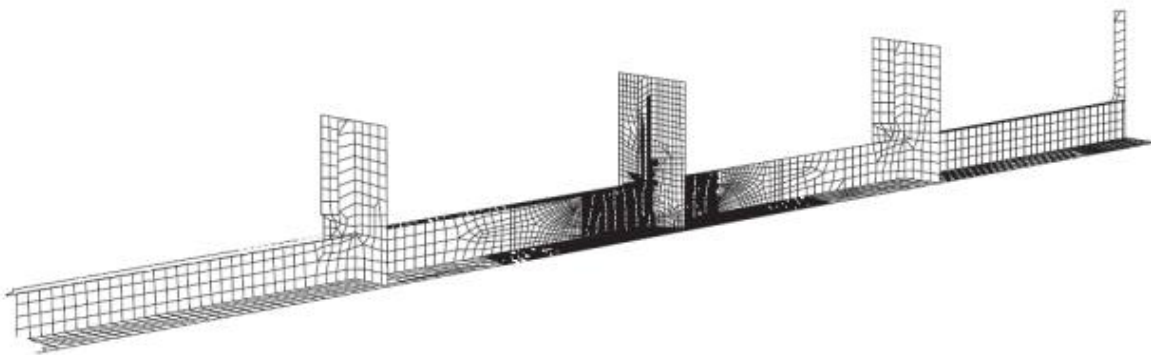


Figure 6 : Fine mesh finite element model for derivation of geometrical stress concentration factor (example of stiffener with flange)

For the 2 loading cases specified above, the stress concentration factors are determined as follows:

- For the axial loading case:

$$K_a = \frac{\sigma_{HSAx}}{\sigma_{NomAx}}$$

- For the bending loading case:

$$K_b = \frac{\sigma_{HSBd}}{\sigma_{NomBd}}$$

σ_{HSAx} : Hot spot stress, in N/mm^2 , determined at the stiffener flange for the axial load.

σ_{NomAx} : Nominal axial stress, in N/mm^2 , calculated at the stiffener flange according to **[3.1]** for the axial load applied for the FE calculation.

σ_{HSBd} : Hot spot stress, in N/mm^2 , determined at the stiffener flange for the unit pressure load.

σ_{NomBd} : Nominal bending stress, in N/mm^2 , calculated at the stiffener flange according to **[4.1]** in way of the hot spot for the unit pressure load applied for the FE calculation.

The derivation of geometrical stress concentration factors for alternative designs is to be documented and provided to the Society.

Section 5 – Finite Element Stress Analysis

1. General

1.1 Application

1.1.1

This section applies to fatigue assessment by finite element stress analysis. The methods are based on the hot spot stress approach and requirements are given for both welded and non-welded hot spots. The hot spot stress takes into account structural discontinuities due to the structural detail of the welded joint, but not taking into account the notch effect at the weld toe.

1.1.2

The hot spot stress is generally highly dependent on the finite element model used for representation of the structure and the procedure used to calculate the hot spot stress. No other methods than those described in this Section is to be adopted for calculation of FE based hot spot stress.

1.1.3

Two types of hot spots, denoted 'a' and 'b' are described in **Table 1**. These are defined according to their location on the plate and their orientation to the weld toe as illustrated in **Figure 1**.

Table 1 : Types of hot spots

| Type | Description |
|------|--|
| a | Hot spot at the weld toe on plate surface |
| b | Hot spot at the weld toe around the plate edge |

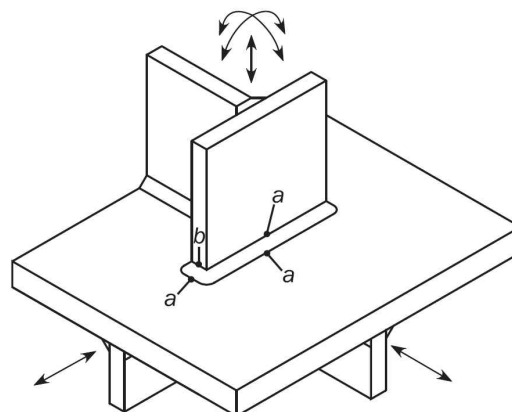


Figure 1 : Types of hot spots

1.1.4

The method for calculation of hot spot stress at weld toe for any welded details is given in **[3.1]** except for web-stiffened cruciform joints. The method for calculation of local stress for non-welded area is given in **[3.2]**.

1.1.5

The method for calculation of hot spot stress at web-stiffened cruciform joints such as transverse bulkhead to inner bottom connection and horizontal stringer heel is given in **[4]**.

1.1.6

Attention is to be given to limitations of the hot spot stress methodology for simple connections given in [5].

2. FE Modelling

2.1 General

2.1.1

Evaluation of hot spot stresses for fatigue assessment requires the use of very fine finite element meshes in way of areas of high stress concentration. These very fine mesh zones may be incorporated into the global model as shown in **Figure 2**. The coarse mesh model of the cargo holds is to be made according to **Ch 7, Sec 2, [2.4]**. Alternatively, this very fine mesh analysis can be carried out by means of separate local finite element models with very fine mesh zones in conjunction with the boundary conditions obtained from a global model of the cargo holds.

2.1.2 Corrosion model

The very fine mesh finite element models used for fatigue assessment are to be made using gross thickness, t_{gr} , in accordance with **Ch 9, Sec 1, [5.1]**.

2.1.3 Separate local FE model

Where a separate local finite element model is used, the extent of the local model is to be such that the calculated stresses are not significantly affected by the imposed boundary conditions and application of loads. The boundary of the fine mesh model is to be taken at adjacent primary supporting members such as girders, stringers and floors in the cargo hold model as far as practicable. Transverse web frames, stringer plates and girders at the boundaries of the local model need not be represented in the local model.

2.1.4

The evaluation of hot spot stress for 'a' type hot spot is to be based on shell element of mesh size $t_{gr} \times t_{gr}$, where t_{gr} is the gross thickness of the plate in way of the considered hot spot. The evaluation of hot spot stress for a 'b' type hot spot is to be based on shell element of mesh size 10×10 mm. The aforementioned mesh size is to be maintained within the very fine mesh zone, extending over at least 10 elements in all directions from the fatigue hot spot position. The transition of element size between the coarser mesh and the very fine mesh zone is to be done gradually and an acceptable mesh quality is to be maintained. This transition mesh is to be such that a uniform mesh with regular shape gradually transitions from smaller elements to larger ones.

An example of the mesh transition in way of liquid dome and deck plating is shown in **Figure 6**.

2.1.5

Four-node shell elements with adequate bending and membrane properties are to be used inside the very fine mesh zone. The four node element is to have a complete linear field of in-plane stresses and hence pure in-plane bending of the element can be exactly represented. In case of steep stress gradients, 8 node thin shell elements are to be used if deemed practical. The shell elements are to represent the mid plane of the plating. For practical purposes, adjoining plates of different thickness may be assumed to be median line aligned, i.e. no staggering in way of thickness change is required. The geometry of the weld and construction misalignment is not required to be modelled.

2.1.6

All structure in close proximity to the very fine mesh zones is to be modelled explicitly with shell elements. Triangular elements are to be avoided where possible. Use of extreme aspect ratio (e.g. aspect ratio greater than 3) and distorted elements (e.g. element's corner angle less than 60 deg or greater than 120 deg) are to be avoided.

2.1.7

Where stresses are to be evaluated on a free edge, such as cut-outs for stiffener connections at web frames, edge of plating and liquid dome, beam elements having the same depth as the adjoining plate thickness and negligible width is to be used to obtain the required local edge stress values.

2.2 Hopper knuckle welded connection

2.2.1

In addition to the general requirements in [2.1], the modelling requirements in this sub-article are applicable to the modelling of bilge hopper lower-knuckle and upper-knuckle welded connections.

2.2.2

Where a separate local finite element model is used, the minimum extent of the local model is to be according to the following:

- a) Longitudinally, the model is to cover two web frame spaces (i.e. one web frame space extending either side of the transverse web frame of interest). Transverse web frames at the end of the local model need not be represented in the local model.
- b) Vertically, the model is to extend from the baseline to the lower stringer in the double side water ballast tank. Where a fatigue assessment is also carried out for the upper knuckle connection, the model is to be extended to four longitudinal spaces above the lower stringer in the double side ballast tank.
- c) Transversely, for the hopper lower knuckle, the model is to extend from the ship side to 4 longitudinal spaces inboard of the double bottom side girder. For the upper hopper knuckle, the model is to extend from the ship side to the double bottom side girder.

2.2.3

Any scarfing brackets on the web frame adjoining the inner bottom plating, the first longitudinal stiffeners away from the knuckle hot spot as well as any carlings and brackets offset from the main frames are to be modelled explicitly using shell elements. Longitudinal stiffeners further away from the knuckle may be modelled by beam elements.

The inner bottom plate 'overhang' outboard of the girder is to be modelled using shell elements up to the extent of the scarfing bracket. Away from the scarfing bracket in longitudinal direction, the inner bottom plate 'overhang' may be modelled using line elements of equivalent the area. Any perforations, such as cut-outs for cabling, pipes and access that are within one stiffener space from the knuckle point are to be modelled explicitly.

2.2.4

Figure 3, Figure 4 and Figure 5 show typical local finite element models of the hopper knuckle connection and close-up views of the $t_{gr} \times t_{gr}$ mesh zone.

2.3 Horizontal stringer heel connection

2.3.1

In addition to the general requirements in [2.1], the modelling requirements in this sub-article are applicable to the modelling of horizontal stringer heel connections.

2.3.2

Where a separate local finite element model is used, the minimum extent of the local model is to be according to the following:

- a) Longitudinally, the model is to cover one web frame space away from the stringer heel to at least one web frame space ahead of the stringer toe. Transverse web frames at the end of the local

model need not be represented in the local model.

- b) Vertically, the model is to extend at least to the next stringer level above and below the concerned stringer heel location.
- c) Transversely, the model is to extend from the ship side to a quarter of the cargo tank width.

2.4 Inner deck and liquid dome corners and liquid dome end bracket

2.4.1

In addition to the general requirements in [2.1], the modelling requirements in this sub-article are applicable to the modelling of inner deck and liquid dome corners/liquid dome end bracket. The selection of inner deck corners/liquid dome end bracket for fatigue analysis is to be determined based on the level of stresses obtained from the cargo hold FE analysis.

2.4.2

The primary supporting members are to be represented by shell finite elements having both membrane and bending properties. **Figure 6** shows a typical FE model of the toe connection of a liquid dome end bracket to the deck plating with the very fine mesh zone having $t_{gr} \times t_{gr}$ mesh size.

2.4.3

The level of FE mesh refinement is to be such as to enable stress concentrations arising from the inner deck and liquid dome corner geometry to be captured in the hot spot stress. The plate edge of inner deck and liquid dome corners at the level of inner deck and truck deck is to be assessed. The free edge of liquid dome end bracket and bracket toe welded connection to the deck plating are also to be assessed. Beam elements having the same depth as the adjoining plate thickness and negligible width are to be used at a plate edge of inner deck and liquid dome corners or free edge of the liquid dome end bracket to obtain the required local edge stress values as outlined in [2.1.7].

2.4.4

The local structural geometry, particularly in the areas of concern, is to be represented. The inner deck and liquid dome corner area is to be meshed using elements with a sufficiently small size to capture the local stress on the edge.

In general, a minimum of 15 elements in a 90 degree arc are to be used to describe the curvature of the radius plating for a rounded corner (see **Figure 7**). For an elliptical or parabolic corner, a minimum of 15 elements are to be used from the inboard radius end to a point on the edge located at half the longitudinal distance of the semi-major axis. A total of 20 elements are to be used at the elliptical edge of the corner (see **Figure 8**).

However, the element edge dimensions along the free edge of the radius need not be less than the thickness of the plating being represented and also should not be greater than 5 times the thickness of the plating being represented. Except where necessary from practical meshing considerations, this level of idealisation is to be maintained over the bracket plating and is to extend into the inner deck plating, truck deck plating and deck girder plating. Mesh transitions should not be arranged close to bracket toes.

2.5 Boundary conditions

2.5.1 Cargo hold model

The boundary conditions to be applied to the ends of the cargo hold model are to be in accordance with **Ch 7, Sec 2, [2.5]**.

2.5.2 Separate local finite element model

Where a separate local finite element model is used for evaluating the hot spot stress range, the boundary conditions and application of loads are to be in accordance with **Ch 7, Sec 3, [4.2]**.

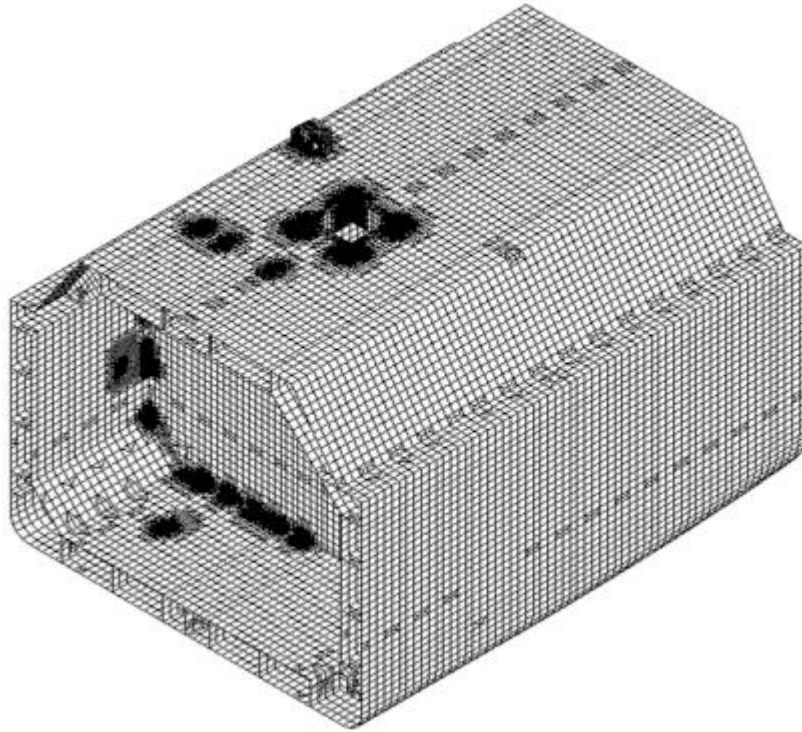


Figure 2 : Very fine mesh areas incorporated directly into the cargo hold model

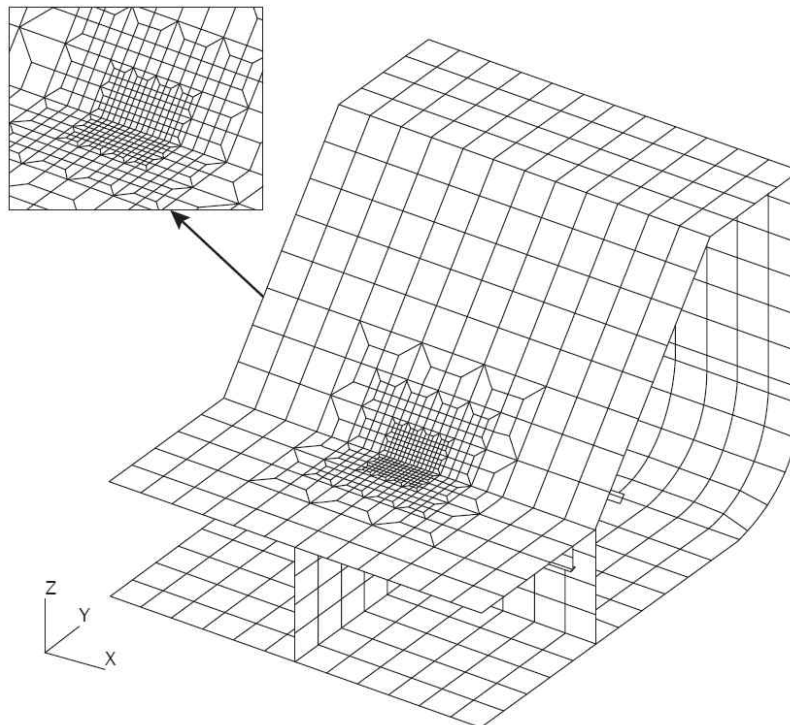


Figure 3 : Local very fine mesh model ($t_{gr} \times t_{gr}$) of hopper knuckle connection between inner bottom and hopper plate

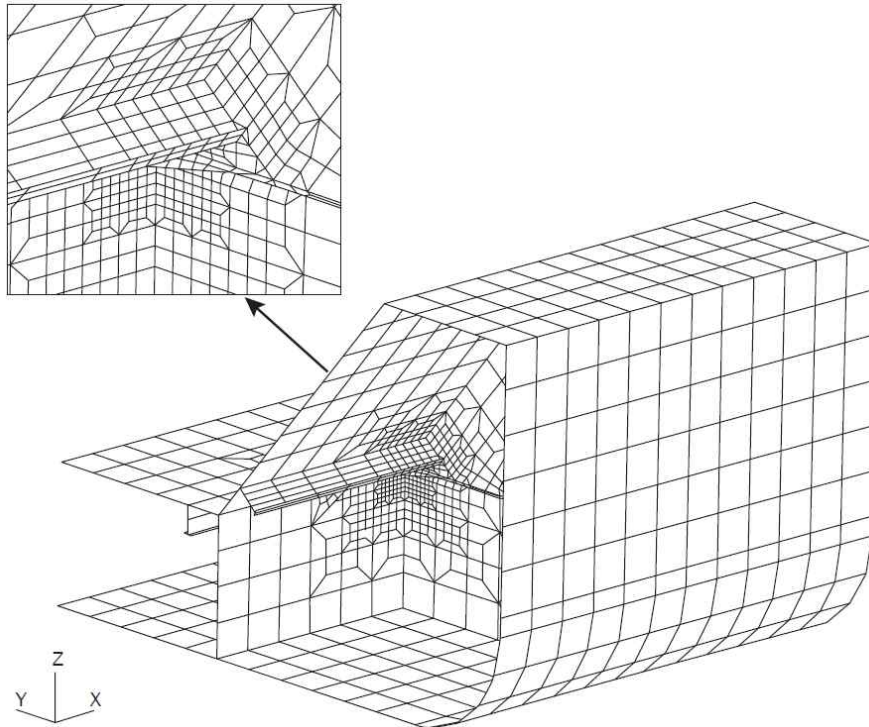


Figure 4 : Local very fine mesh model ($t_{gr} \times t_{gr}$) of hopper knuckle connection between inner bottom, hopper plate, web frame, girder and bracket

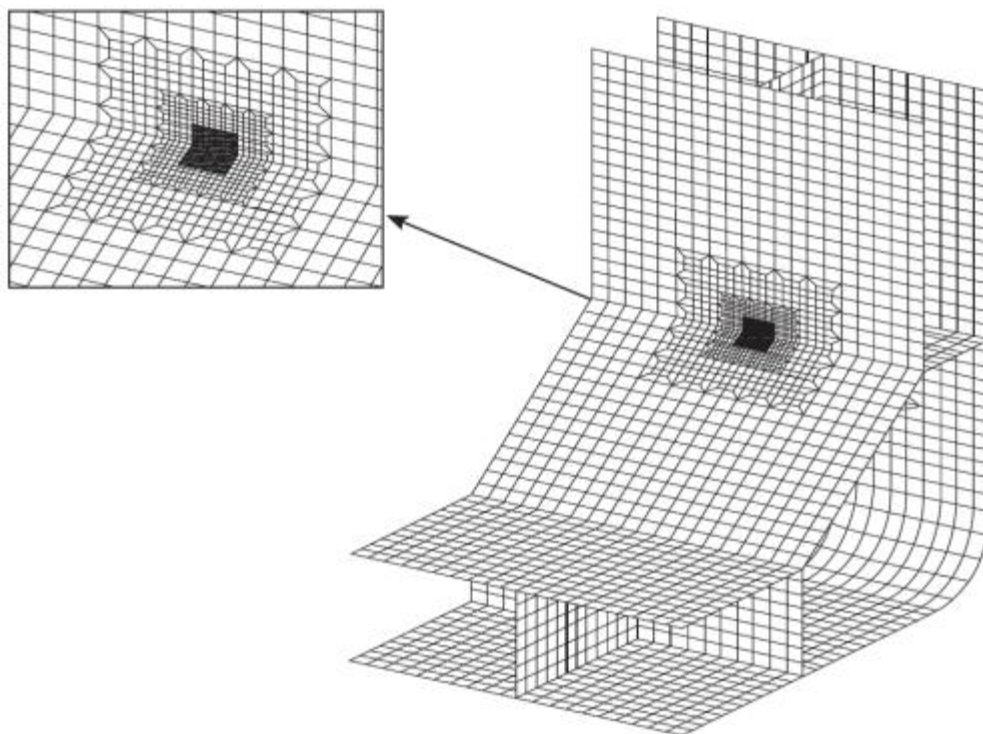


Figure 5 : Local very fine mesh model ($t_{gr} \times t_{gr}$) of upper hopper knuckle connection between inner side shell and hopper plate

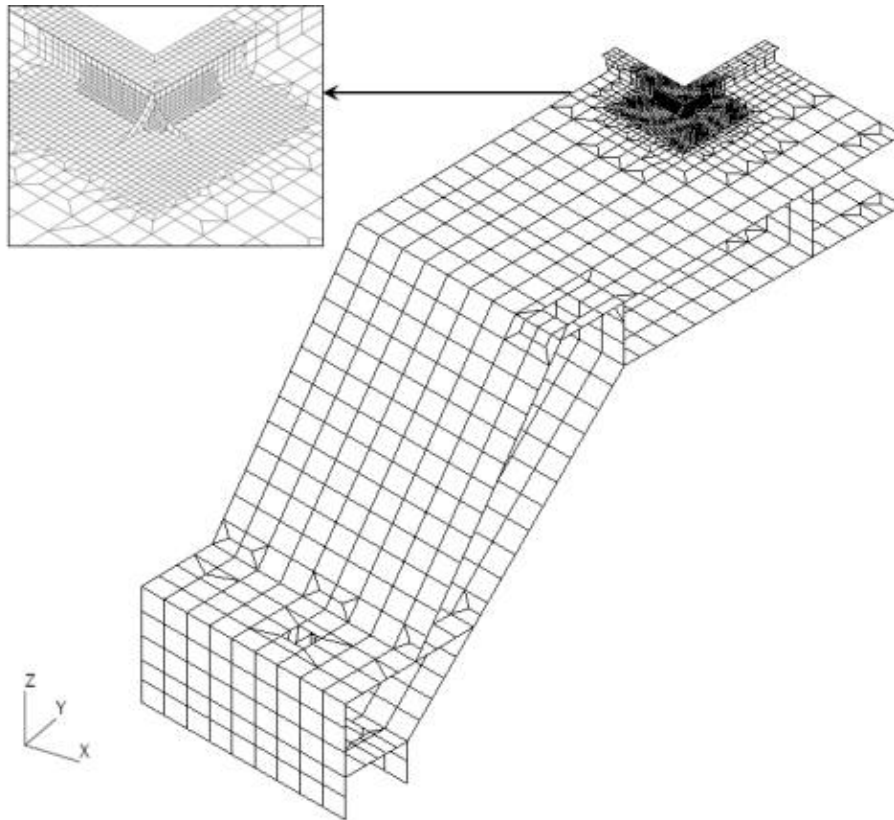


Figure 6 : Local FE model of liquid dome end bracket to the deck plating with very fine mesh zone, $t_{gr} \times t_{gr}$ mesh

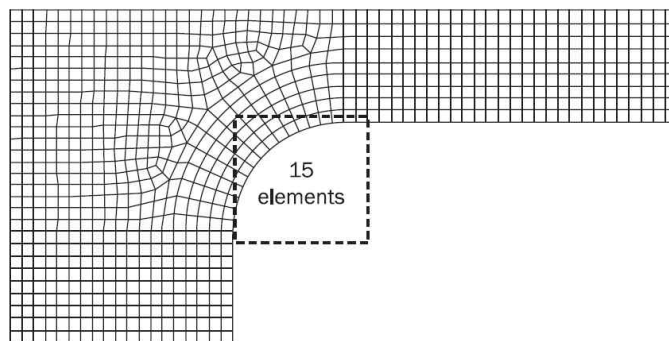


Figure 7 : Mesh density for rounded inner deck and liquid dome corners

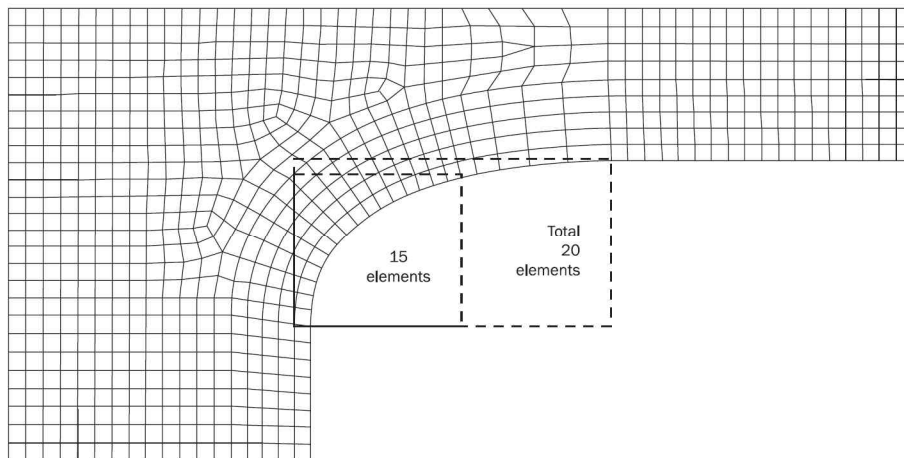


Figure 8 : Mesh density for elliptical inner deck and liquid dome corners

3. Hot Spot Stress for Details Different from Web-Stiffened Cruciform Joints

3.1 Welded details

3.1.1

For hot spot type 'a', the structural hot spot stress, σ_{HS} , is calculated from a finite element analysis with $t_{gr} \times t_{gr}$ mesh density and is obtained by the following formula:

$$\sigma_{HS} = 1.12 \cdot \sigma$$

where:

σ : Surface principal stress, in N/mm², read out at a distance $t_{gr}/2$ away from the intersection line.

t_{gr} : Plate gross thickness, in mm, in way of the weld toe.

At structural details where the hot spot type 'a' is classified as a web-stiffened cruciform joint, the stress read out procedure of [4.2] is to be applied.

For hot spot type 'b', the stress distribution is not dependent on the plate thickness; the structural hot spot stress, σ_{HS} , is derived from a finite element analysis with mesh density 10×10 mm and is obtained by the following formula:

$$\sigma_{HS} = 1.12 \cdot \sigma$$

where:

σ : Surface principal stress, in N/mm², read out at an absolute distance from the intersection line of 5 mm.

3.1.2 Stress read out methods

Depending on the element type, one of the following stress read out method is to be used:

- With 4-node shell element:

Element surface stress components at the centre points are linearly extrapolated to the line A-A as shown in **Figure 9** to determine the stress components for load case 'i1' and 'i2' at the stress read out point located at a distance $t_{gr}/2$ from the intersection line for type 'a' hot spot. Two principal hot spot stress ranges are determined at the stress read out point from the stress components tensor differences (between load case 'i1' and 'i2') calculated from each side (side L, side R) of line A-A. The angle θ between the direction x of the element co-ordinate system and the principal direction pX of the principal hot spot stress range co-ordinate system has to be determined.

- With 8-node shell element:

With a $t_{gr} \times t_{gr}$ element mesh using 8-node element type, the element mid-side node is located on the line A-A at a distance $t_{gr}/2$ for type 'a' hot spots. This node coincides with the stress read out point. The element surface stress components for load case 'i1' and 'i2' can be used directly without extrapolation within each adjacent element located on each side (side L, side R) of the line A-A as illustrated in **Figure 10**. Two principal hot spot stress ranges are determined at the stress read out point from the stress components tensor difference (between load case 'i1' and 'i2') calculated from each side of line A-A. The angle θ between the direction x of the element coordinate system and the principal direction pX of the principal hot spot stress range coordinate system has to be determined.

For fatigue assessment of type 'b' hot spots, a beam element is to be used to obtain the fatigue stress range. The stress range is to be based on axial and bending stress in the beam element. The beam element is to have the same depth as the connecting plate thickness while the in-plane width is negligible.

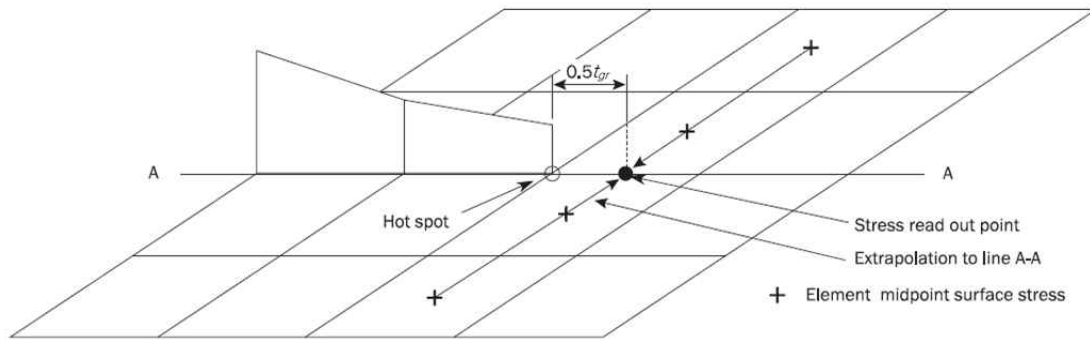


Figure 9 : Determination of stress read out points and hot spot stress for 4-node element

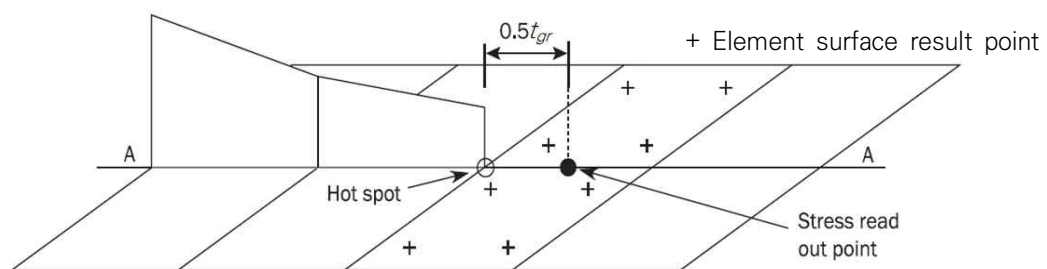


Figure 10 : Determination of stress read out points and hot spot stress for 8-node element

3.1.3

The above read out procedure is based on element surface stresses. Generally, in FE software the element stresses are calculated at the Gaussian integration points located inside the element. Depending on the element type implemented in the FE software, it may be necessary to perform several interpolations in order to determine the actual stress at the considered stress read out point at the surface of the element mid-point or element edge.

3.2 Base material

3.2.1

For fatigue assessment at a free plate edge, a beam element is to be used to obtain the fatigue stress range. The beam element is to have the same depth as the connecting plate thickness while the in-plane width should be negligible.

3.3 Bent hopper knuckle

3.3.1

The hot spot stress at the inner bottom/hopper sloping plate in transverse and longitudinal directions (i.e. hot spots 1, 2 and 3 defined in **Ch 9, Sec 2, Table 4** of a bent hopper knuckle is to be taken as the surface principal stress read out from a point shifted away from the intersection line between the considered member and abutting member by the weld leg length.

The hot spot stress, in N/mm², is obtained by the following formula:

$$\sigma_{HS} = \sigma_{shift}$$

where:

σ_{shift} : Surface principal stress, in N/mm², at the shifted read out position as defined in [4.2.1] and taken as:

$$\sigma_{shift} = \sigma_{membrane}(x_{shift}) + \sigma_{bending}(x_{shift})$$

$\sigma_{bending}(x_{shift})$: Bending stress, in N/mm², at x_{shift} position.

$\sigma_{membrane}(x_{shift})$: Membrane stress at x_{shift} position, in N/mm².

3.3.2

The procedure for calculation of hot spot stress at flange such as inner bottom /hopper sloping plate is the same that for web-stiffened cruciform joints as described in [4.2.1]. The procedure that applies for hot spots on the ballast tank side of the inner bottom/hopper plate in way of a bent hopper knuckle is in principle the same as that applied on the cargo tank side of the inner bottom plate for welded knuckle in **Figure 12** and **Figure 13**. The intersection line is taken at the mid-thickness of the joint assuming median alignment. The plate angle correction factor and the reduction of bending stress as applied for a web-stiffened cruciform joint in [4.2.2] are not to be applied for the bent hopper knuckle type.

3.3.3

The stress at hot spots located in way of the web such as transverse web and side girder (i.e. hot spots 4, 5 and 6 defined in **Ch 9, Sec 2, Table 4**) at a bent hopper knuckle type is to be derived as described for web-stiffened cruciform joints in [4.3.1].

4. Hot Spot Stress for Web-Stiffened Cruciform Joint

4.1 Applicability

4.1.1

The following structural details are considered as a web-stiffened cruciform joint:

- a) Heel of horizontal stringer, shown in **Figure 11**.
- b) Longitudinal bulkhead - inner bottom connection.
- c) Transverse bulkhead - inner bottom connection.

Two kinds of hot spots relative to the web-stiffened cruciform joints are to be assessed:

- Hot spots at the flange of web-stiffened cruciform joint,
- Hot spots in way of the web of web-stiffened cruciform joint.

4.1.2

The procedure for calculating hot spot stress at flange of web-stiffened cruciform joint is given in [4.2].

4.1.3

The procedure for calculating hot spot stress in way of the web of the web-stiffened cruciform joint is given in [4.3].

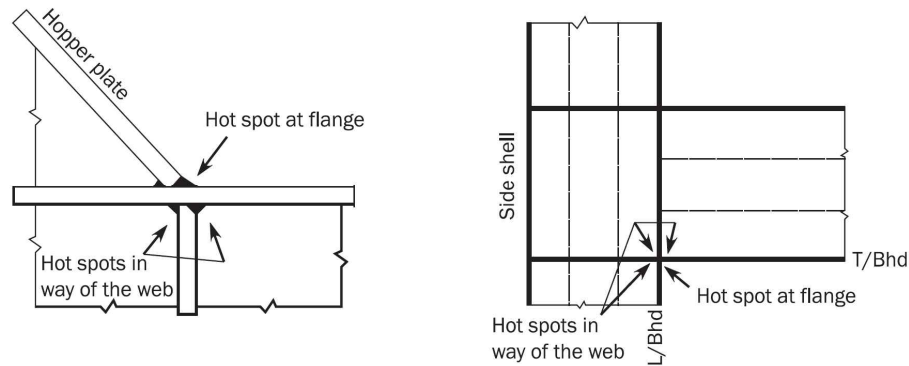


Figure 11 : Web-stiffened cruciform joints

4.2 Calculation of hot spot stress at the flange

4.2.1

For hot spot at the flange of web-stiffened cruciform joints, the surface principal stress is to be read out from a point shifted away from the intersection line between the considered member and abutting member to the position of the actual weld toe and multiplied by 1.12. The intersection line is taken at the mid-thickness of the cruciform joint assuming a median alignment.

The hot spot stress, in N/mm^2 , is to be obtained as:

$$\sigma_{HS} = 1.12 \sigma_{shift}$$

where:

σ_{shift} : Surface principal stress, in N/mm^2 , at shifted stress read out position.

The stress read out point shifted away from the intersection line is obtained as:

$$x_{shift} = \frac{t_{1-gr}}{2} \times x_{wt}$$

where:

t_{1-gr} : gross plate thickness of the plate number 1, in mm, as shown in **Figure 12**.

x_{wt} : Extended fillet weld leg length, in mm, as defined in Figure 12, not taken larger than t_{1-gr} .

4.2.2

The stress at the shifted position is derived according to the following formula and illustrated in **Figure 13**:

$$\sigma_{shift} = [\sigma_{membrane}(x_{shift}) + 0.60 \cdot \sigma_{bending}(x_{shift})] \cdot \beta$$

where:

$\sigma_{bending}(x_{shift})$: Bending stress, in N/mm^2 , at the shifted position taken as:

$$\sigma_{bending}(x_{shift}) = \sigma_{surface}(x_{shift}) - \sigma_{membrane}(x_{shift})$$

$\sigma_{surface}(x_{shift})$: Total surface stress at x_{shift} position (including membrane stress and bending stress), in N/mm^2 .

$\sigma_{membrane}(x_{shift})$: Membrane stress at x_{shift} position, in N/mm^2 .

β : Plate angle hot spot stress correction factor, taken as:

- For $\alpha = 135^\circ$:

$$\beta = 0.96 - 0.13 \frac{x_{wt}}{t_{1-gr}} + 0.20 \left(\frac{x_{wt}}{t_{1-gr}} \right)^2$$

- For $\alpha = 120^\circ$:

$$\beta = 0.97 - 0.14 \frac{x_{wt}}{t_{1-gr}} + 0.32 \left(\frac{x_{wt}}{t_{1-gr}} \right)^2$$

- For $\alpha = 90^\circ$:

$$\beta = 0.96 + 0.031 \frac{x_{wt}}{t_{1-gr}} + 0.24 \left(\frac{x_{wt}}{t_{1-gr}} \right)^2$$

α : Angle, in deg, between the plates forming a web-stiffened cruciform joint as shown in **Figure 13**.

Correction factors for connections with plate angles intermediate to those given should be derived based on a linear interpolation of the above values. The calculated hot spot stress is to be used in conjunction with the hot spot S-N curve for weld toe connections according to **Ch 9, Sec 3, [4.2]**.

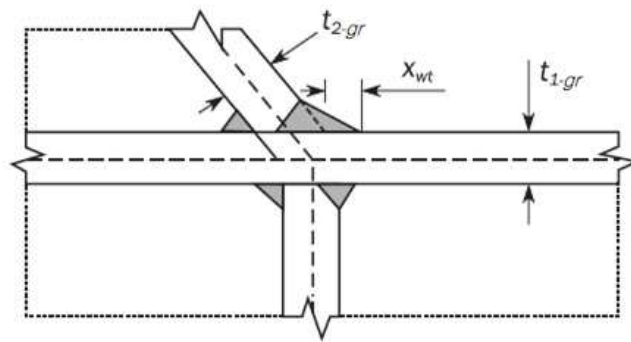


Figure 12 : Geometrical parameters of web-stiffened cruciform connections

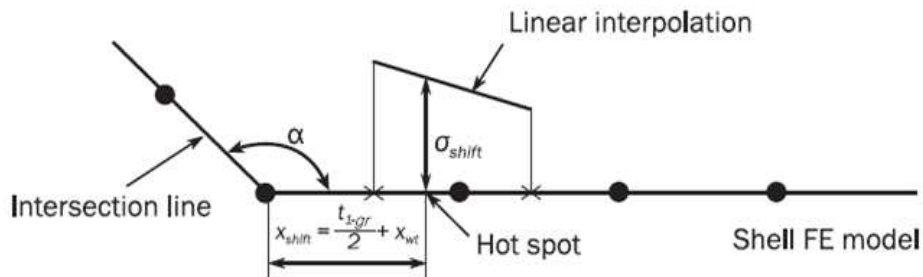


Figure 13 : Procedure for calculation of hot spot stress at wt'

- x Average of stress components
- + Element surface result point
- O Stress readout point at $x_{shift} : \sigma_{shift}$

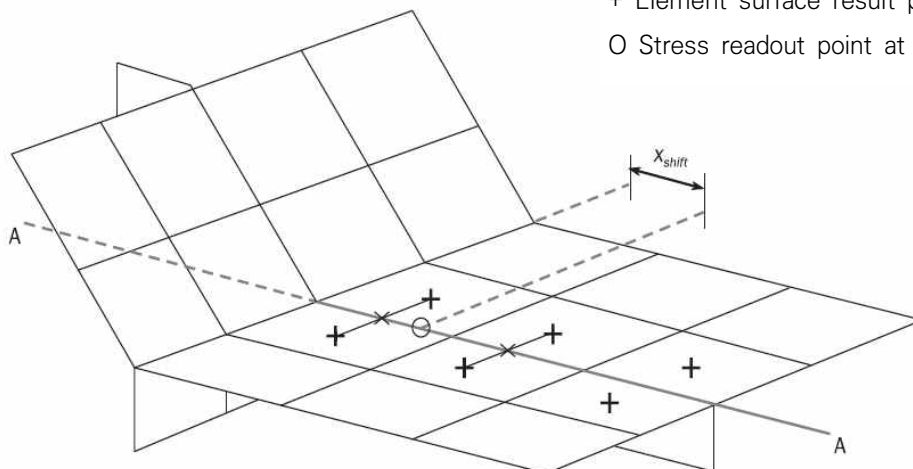


Figure 14 : Determination of stress read out points for web-stiffened cruciform connections

4.2.3

Surface principal stresses at the centre point of the two first elements on left and right side of the line A-A are averaged and taken as the surface principal stresses in way of the web position (line A-A). The surface principal stresses for load case 'i1' and 'i2' are linearly interpolated along the line A-A in order to determine hot spot principal stresses at the stress read out point located at the x_{shift} position as shown in **Figure 14**. The two principal hot spot stress ranges are determined at the stress read out point between load case 'i1' and 'i2'.

4.3 Calculation of hot spot stress in the web

4.3.1

Hot spots located in way of the web as indicated in **Figure 15** are to be checked with the hot spot stress defined from the maximum principal surface stress at the intersection offset by the distance x_{shift} from the vertical and horizontal element intersection lines as illustrated in **Figure 15**. The intersection line is taken at the mid thickness of the cruciform joint assuming a median alignment. The hot spot stress, in N/mm², is to be obtained as:

$$\sigma_{HS} = \sigma_{shift}$$

where:

σ_{shift} : Maximum principal surface stress, in N/mm², at the intersection offset by the distance x_{shift} .

The stress read out point at the intersection offset is obtained as:

$$x_{shift} = \frac{t_{3-gr}}{2} + x_{wt}$$

where:

t_{3-gr} : gross plate thickness of the web, in mm, as shown in **Figure 15**.

x_{wt} : Extended fillet weld leg length, in mm, taken as:

$$x_{wt} = \min(l_{\leq g1}, l_{\leq g2})$$

$l_{\leq g1}, l_{\leq g2}$: Leg length, in mm, of the vertical and horizontal weld lines as shown in **Figure 15**.

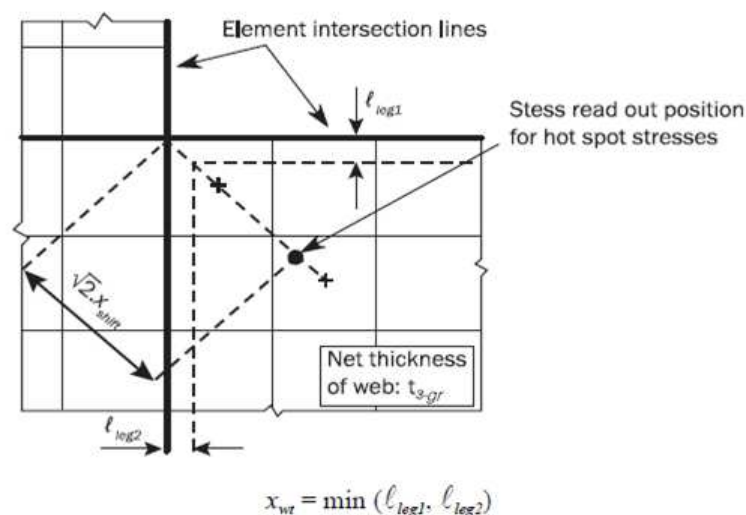


Figure 15 : Hot spots in way of web

5. Limitations of Hot Spot Stress Approach

5.1 Scope of application of hot spot stress approach

5.1.1

The hot spot stress approach given in **Ch 9, Sec 1, [2.3.1]** is not applicable for simple cruciform joints and simple T-joints when the stress flow in direction I as shown in **Figure 16** is considered. For stresses in the direction normal to the weld at hot spot location 'c' (direction I) there is no stress flow into the transverse plating as it is represented only by one plane in the shell model. However, it attracts stresses for in-plane direction (direction II) at hot spot location 'a'.

In situations where a bracket is fitted behind the transverse plate as shown in **Figure 1**, acting with stiffness in the direction normal to the transverse plate, stresses flow also into the transverse plate and the hot spot methodology is considered applicable.

5.1.2

The hot spot stress at position 'c' for simple cruciform joints and simple T-joints is to be determined by the stress read out procedure given in **[3.1]** multiplied by a geometrical stress concentration factor of 1.3 and is taken as:

$$\sigma_{HS} = 1.3 \cdot 1.12\sigma$$

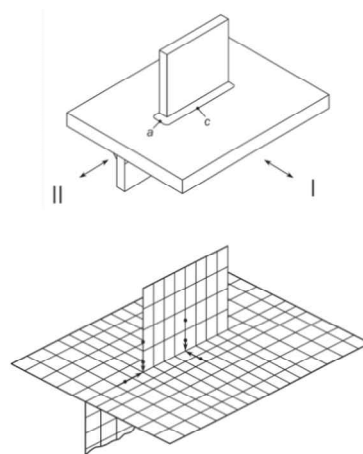


Figure 16 : Illustration of check points in way of a welded attachment under orthogonal applied in plane loads

Section 6 – Detail Design Standard

Symbols

For symbols not defined in this section, refer to **Ch 1, Sec 4**.

1. General

1.1 Purpose

1.1.1

Design standard provides fatigue resistant detail design at an early stage in the structural design process by giving consideration to the following aspects:

- Application of fatigue design principles.
- Construction tolerances and other practical considerations.
- In-service experience and fatigue performance.

1.1.2

The design standard is to be applied to the design of ship structural details in following steps:

- Highlighting potential critical areas within the ship structure.
- Identification of the fatigue hot spot locations for each of the critical structural details.
- Provision of a set of alternative improved configurations from which a suitable solution can be selected.
- Requirements on geometrical configurations, scantlings, welding requirements and construction tolerances.
- Post fabrication method of improving fatigue life, such as weld toe grinding.

1.2 Application

1.2.1

The structural details described in this section are to be designed according to the given design standard but alternative detail design configurations may be accepted subject to demonstration of satisfactory fatigue performance.

For the details given in **Ch 9, Sec 2, Table 3**, the fatigue assessment by very fine mesh finite element analysis may be omitted if the detail is designed in accordance with the design standard given in this section.

2. Stiffener-Frame Connections

2.1 Design standard A

2.1.1

Designs for cut outs in cases where web stiffeners are omitted or not connected to the longitudinals are required to adopt tight collar or the improved design standard “A” as shown in **Table 1** or equivalent, for the following members:

- Inner hull longitudinal bulkhead below 1.1 times of T_{SC} .
- Hopper.
- Inner bottom.

2.1.2

Designs that are different from those shown in **Table 1** are acceptable subject to demonstration of satisfactory fatigue performance, e.g. by using comparative finite element analysis. The comparative FE analysis is to be performed following the modelling guidance given in **Figure 1**.

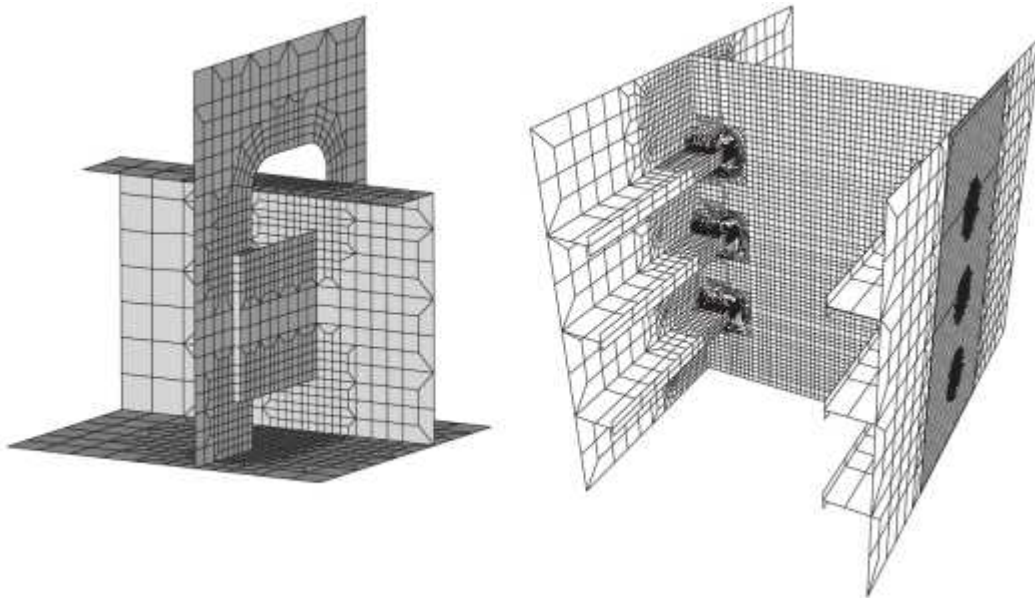


Figure 1 : Finite element model for verification of equivalent design

2.2 Equivalent design of stiffener–frame connections

2.2.1

If the required designs for stiffener–frame connections in **[2.1]** are not followed, the alternative design is to be verified to have equivalent fatigue strength to the design standard “A” or to be verified to have satisfactory fatigue performance. The alternative design is to be verified according to the procedure given in **[2.2.2]** to **[2.2.5]** and documentation of results is to be submitted to the Society.

2.2.2

The procedure of **[2.2.3]** and **[2.2.4]** is provided to verify the alternative design to have equivalent fatigue strength with respect to any position in the transverse ring, i.e. double bottom and double side. The hot spot stress of the alternative design and that of the required design is to be compared to the critical hot spots in way of the cut-out. The critical hot spots depend on the detail design and are to be selected in agreement with the Society. The hot spot stress is to be derived according to **Ch 9, Sec 5, [3.1]** and **Ch 9, Sec 5, [3.2]**. It is to be noted that welded hot spots at the free edge are classified as hot spot type ‘b’. Example of typical hot spots for checking is shown in **Ch 9, Sec 2, [2]**.

Table 1 : Finite element model for verification of equivalent design

| Cut outs for longitudinals in transverse webs where web stiffeners are omitted or not connected to the longitudinal flange | |
|---|---|
| Design Standard A | |
| 1 | 2 |
| | |
| 3 | 4 |
| | |
| <p>Note 1: Soft toes marked '*' are to be dimensioned to suit the weld leg length such that smooth transition from the weld to the curved part can be achieved. Maximum 15 mm or thickness of transverse web/collar plates/lug plates whichever is the greater.</p> <p>Note 2: Configurations 1 and 4 indicate acceptable lapped lug plate connections.</p> | |
| Critical location | Locations around cut-out with high stress concentration and locations in way of weld terminations. |
| Detail design standard | Improved slot shape to avoid high stress concentrations in transverse webs due to shear loads and local pressure loads transmitted via welded joints. |
| Building tolerances | Ensure alignment of all connecting members and accurate dimensional control of cut-outs according to IACS Recommendation No. 47. |
| Welding requirements | A wraparound weld, free of undercut or notches, around the transverse web connection to longitudinal stiffener web. |

2.2.3

The very fine mesh finite element models are made to analyse the behaviour in way of double side or double bottom. The models should have an extent of 3 stiffeners in cross section, i.e. 4 stiffener spacings, and the longitudinal extent is to be one half frame spacing in both forward and aft direction. A typical model is shown in **Figure 1**. No cut-outs for access openings are to be included in the models.

Connection between the lug or the web-frame to the longitudinal stiffener web, connections of the lug to the web-frame and free edges on lugs and cut-outs in web-frame are to be modelled with elements of gross plate thickness size ($t_{gr} \times t_{gr}$). The mesh with gross plate thickness size should extend at least five elements in all directions. Outside this area, the mesh size may gradually be increased in accordance with the requirements in **Ch 9, Sec 5, [2]**. The eccentricity of the lapped lug plates is to be included in the model. Transverse web and lug plates are to be connected by eccentricity elements (transverse plate elements). The height of eccentricity element is to be the distance between mid-layers of transverse web and lug plates having a thickness equal to 2 times the gross thickness of web-frame plate t_{w-gr} . Eccentricity elements representing fillet welds are shown in **Figure 2**.

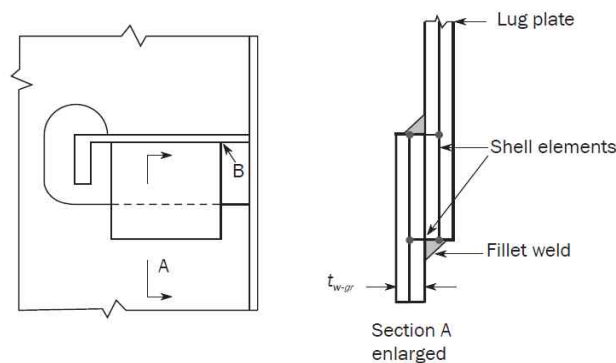


Figure 2 : Modelling of eccentric lug plate by shell elements

2.2.4

Three load cases are to be applied to the models of the design standard and alternative designs:

- External pressure of unit value, fixed boundary conditions at top and bottom of model.
- Shear stress by prescribed unit displacement at the model top and fixed boundary conditions at the model bottom.
- Axial load by prescribed unit displacement at the model top and fixed boundary conditions at the model bottom.

The forward and aft part of the model should have symmetry condition describing the behaviour in a double hull structure. Load application and boundary conditions are provided in **Figure 3**.

2.2.5

The alternative design may also be verified to have satisfactory fatigue performance using sub-modelling technique where a very fine mesh model of the alternative design located at the actual position of the stiffener-frame connection is analysed. The alternative design is considered acceptable if the fatigue acceptance criterion of **Ch 9, Sec 1** is achieved. The fatigue acceptance criterion is checked by applying the methodology described in **Ch 9, Sec 1**, **Ch 9, Sec 3** and **Ch 9, Sec 5**. The alternative design is considered acceptable only for the particular position where it is analysed.

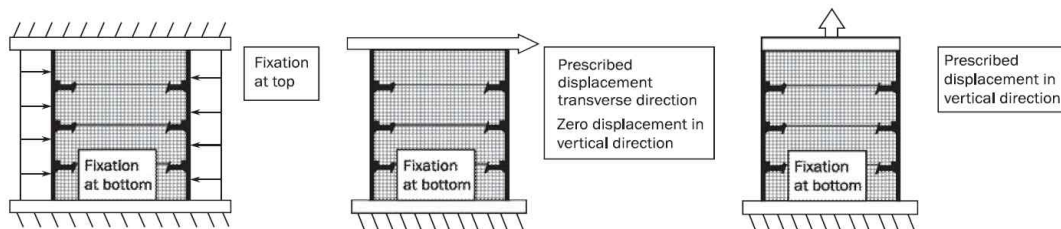


Figure 3 : Load application and boundary conditions – FE model for verification of alternative design

3. Scallops in way of block joints

3.1 Design standard B

3.1.1

Scallops in way of block joints in the cargo tank/hold region, located on the stiffeners fitted on strength deck, and side above 0.9 D from the baseline, are required to be designed according to the design standard B as shown in **Table 2**.

4. Hopper knuckle connection

4.1 Design standard C to E

4.1.1

The welded knuckle between hopper plating and inner bottom plating is to be designed according to the design standard C in **Table 3**.

4.1.2

The radiused knuckle between hopper plating and inner bottom plating is to be designed according to the design standard D in **Table 4**. Alternative structural arrangements may be accepted based on verification in accordance with **Ch 9, Sec 5, [3.3]**.

4.1.3

The radiused knuckle between hopper plating and inner side plating is to be designed according to the design standard E in **Table 5**.

4.1.4

In general, the prescribed minimum requirements for welding, weld dressing and building tolerances as given in **Table 3** to **Table 5** are to be followed. Alternative positioning and/or dispensation of some support structure, such as transverse and longitudinal brackets may be accepted subject to demonstration of acceptable fatigue lives. Inserts and/or weld dressing additional to those prescribed may be required as a consequence of hot spot fatigue analysis.

Table 2 : Design standard B – scallops in way of block joints

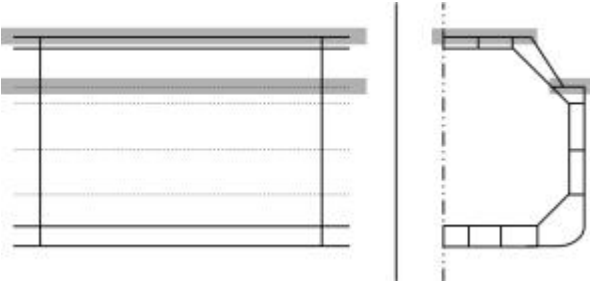
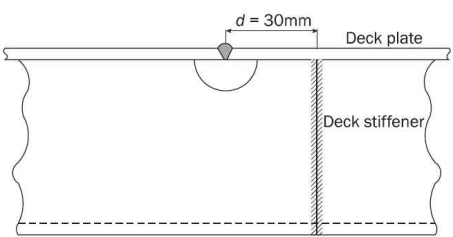
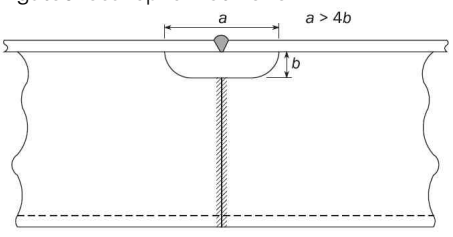
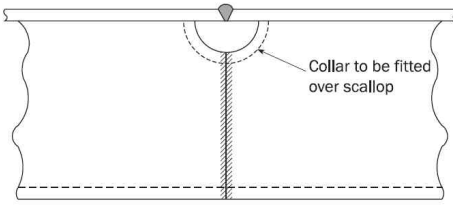
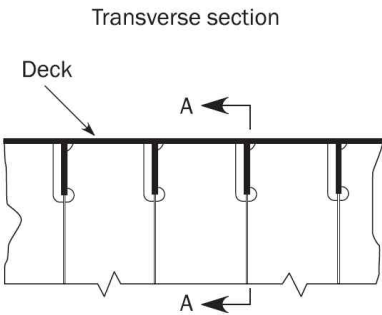
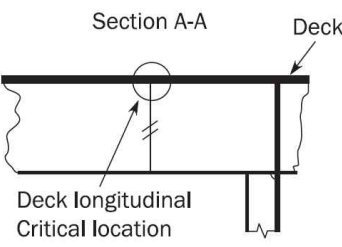
| Welding of deck stiffeners in way of block joints | |
|--|---|
| Critical areas | Design standard B |
|  | <p>(1) Offset butt on stiffener</p>  <p>(2) Elongated scallop on stiffener</p>  <p>(3) Closing scallop with collar</p>  <p>Note 1: Alternative scallop geometry to that shown in option 2 may be accepted subject to demonstration of satisfactory fatigue life based on hull girder loads taking into account additional stress concentration factor in way of weld.</p> |
| <p>Critical locations</p> <p>Transverse section</p>  <p>Section A-A</p>  <p>Deck longitudinal Critical location</p> | |
| Critical location | Welding of deck stiffeners in way of block joints in cargo tank region, the strength deck and side above 0.9 D from the baseline. |
| Detail design standard | All scallops are to be fitted according to detail design standard B. |
| Building tolerances | Ensure alignment of all structural members according to IACS Recommendation No. 47. |
| Welding requirements | Full penetration butt weld, free of undercut or notches, around the web and flange of the longitudinal stiffener at block joints, particularly in way of the weld termination at the scallop for option 2. |

Table 3 : Design standard C - hopper knuckle connection detail, welded, without bracket

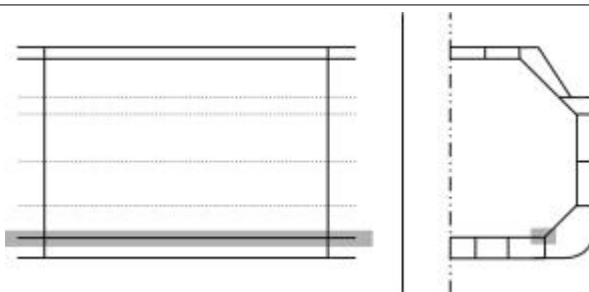
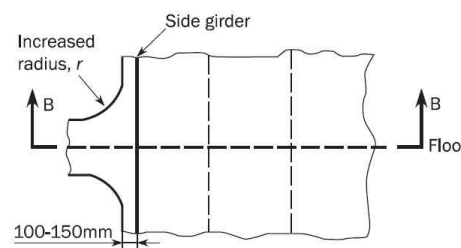
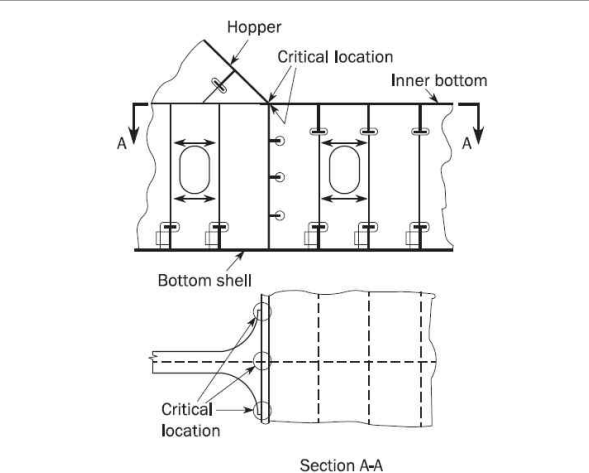
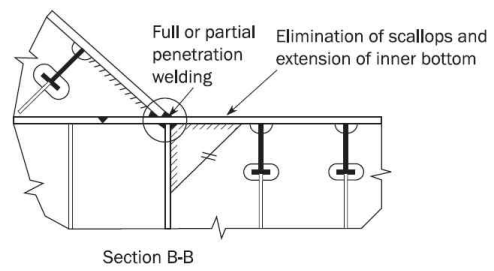
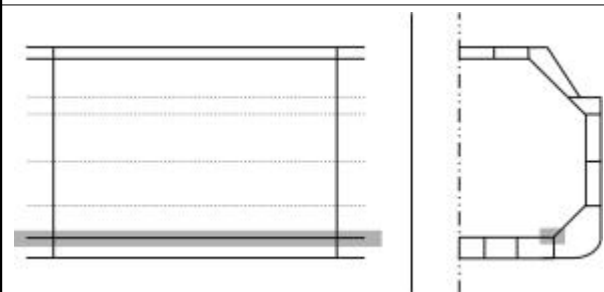
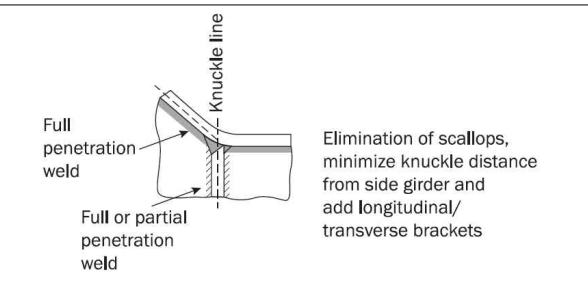
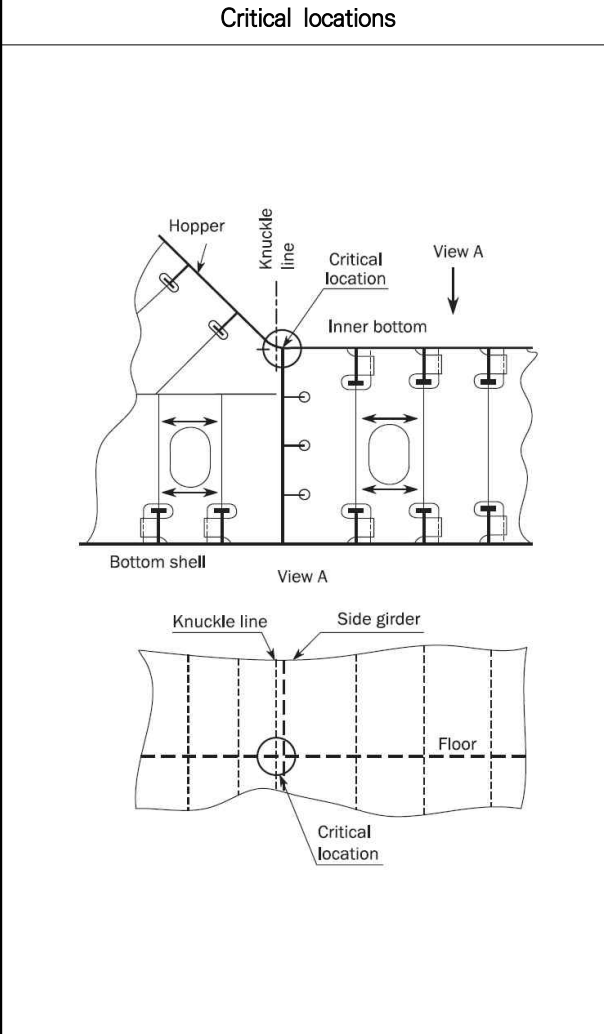
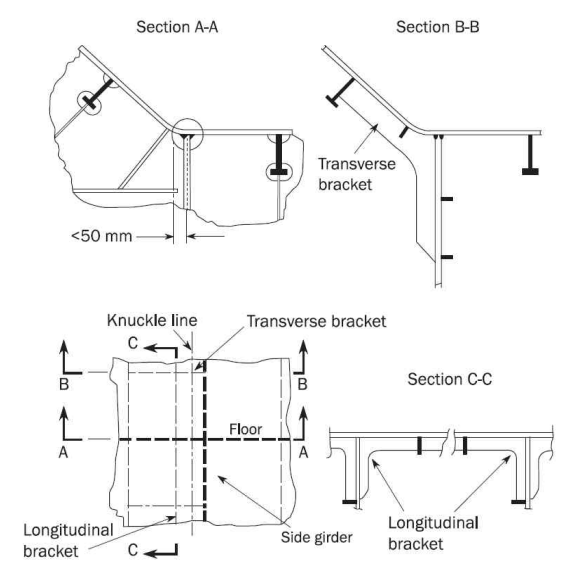
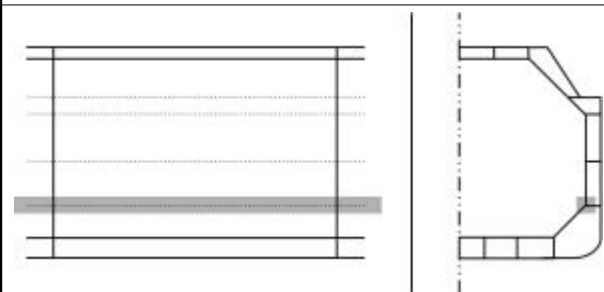
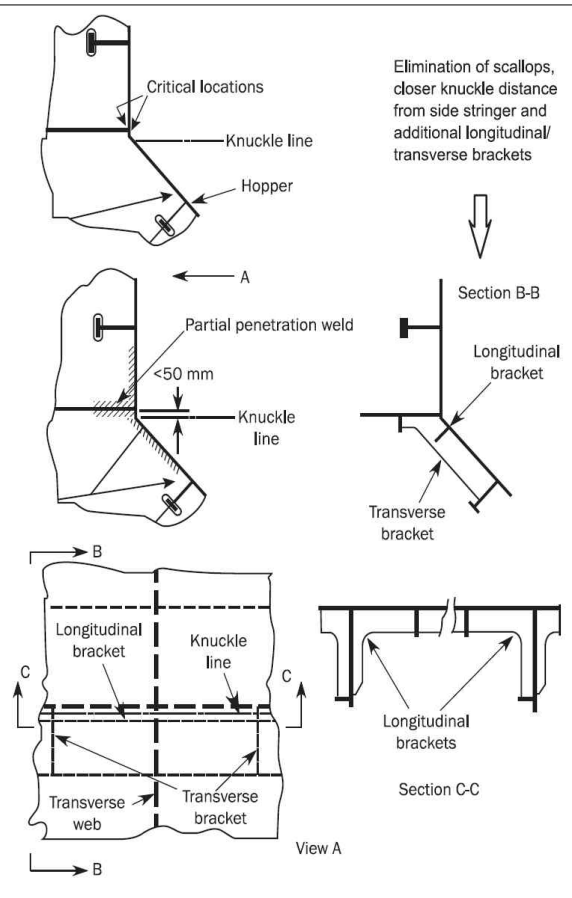
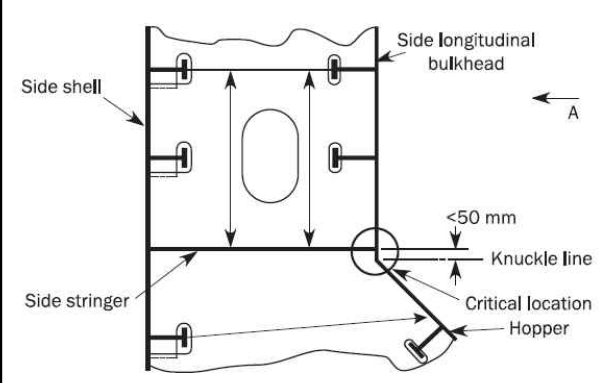
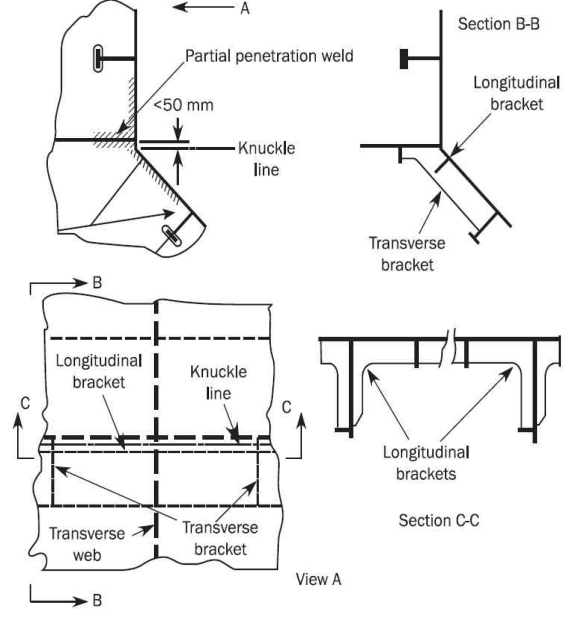
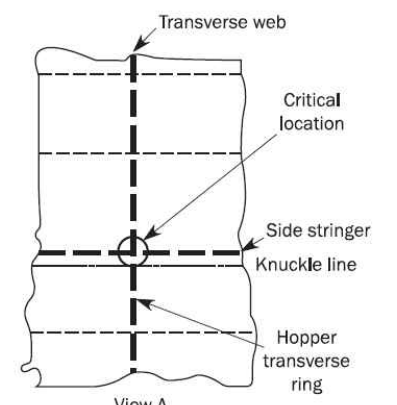
| Connections of floors in double bottom tanks to hopper tanks Hopper corner connections employing welded inner bottom and hopper sloping plating | |
|--|---|
| Critical areas | Design standard C |
|  |  |
| Critical locations | |
|  |  |
| Minimum requirement | As a minimum, detail design standard C or D is to be fitted. The ground surface is to be protected by a stripe coat of suitable paint composition, where the lower hopper knuckle region of cargo tanks is not coated. |
| Critical location | Hopper sloping plating connections to inner bottom plating in way of floors. Floor connections to inner bottom plating and side girder in way of hopper corners. |
| Detail design standard | Elimination of scallops in way of hopper corners, extension of inner bottom plating to reduce level of resultant stresses arising from cyclic external hydrodynamic pressure, cargo inertia pressure and hull girder loads. Scarfing bracket thickness is to be close to that of the inner bottom in way of the knuckle. |
| Building tolerances | Median line of hopper sloping plate is to be in line with the median line of the girder with an allowable tolerance of $t_{as-built}/3$ or 5 mm, whichever is less, where $t_{as-built}$ is the as-built side girder thickness. The allowable tolerance is to be measured parallel to the inner bottom. |
| Welding requirements | Full or partial penetration welding is to be applied to hopper sloping plating and inner bottom plating connection. Partial penetration welding is to be applied to connections of side girder to inner bottom plating, to connections of floors to inner bottom plating and to side girder, to connections of hopper transverse webs to sloping plating, to inner bottom and to side girder in way of the hopper knuckle. Definition of full and partial penetration welding and their required extent are given in Ch 12, Sec 3 . Weld between hopper plating and inner bottom plating to be enlarged and ground smooth. Visible undercuts are to be removed, see Ch 9, Sec 3, [6] . Weld enlargement and grinding are applicable to minimum 200 mm on each side of the floor. |

Table 4 : Design standard D - hopper knuckle connection detail, radiused type

| Connections of floors in double bottom tanks to hopper tanks Hopper corner connections employing radiused knuckle between inner bottom and hopper sloping plating | |
|--|---|
| Critical areas | Design standard D |
|  |  |
| Critical locations | |
|  |  |
| | <p>Note 1: Distance from side girder to centre of knuckle is to be as small as practicable, but is not to exceed 50 mm.</p> <p>Note 2: The knuckle radius is not to be less than $4.5 t_{as-built}$ or 100 mm, whichever is the greater, where $t_{as-built}$ is the as-built thickness of the knuckle part.</p> <p>Note 3: Additional transverse brackets offset at a suitable distance on either side of transverse floor/hopper connection.</p> <p>Note 4: Additional longitudinal bracket on the side of sloping plate.</p> <p>Note 5: Longitudinal and/or transverse brackets may be omitted if it can be demonstrated that the girder provides sufficient support at the knuckle line, i.e. that fatigue requirements according to Ch 9, Sec 5 and local strength analysis requirements according to Ch 7, Sec 3 are fulfilled.</p> |
| Critical location | Floor and hopper transverse web connections to inner bottom plating and hopper sloping plate, respectively and to side girder in way of hopper knuckle. Side girder connections to inner bottom plating in way of floors. |
| Detail design standard | Elimination of scallops in way of hopper/girder connection and additional transverse and longitudinal brackets to reduce peak and range of resultant stresses arising from cyclic external hydrodynamic pressure, cargo inertia pressure, and hull girder global loading, and provide additional support to sloping plate. |

| Connections of floors in double bottom tanks to hopper tanks Hopper corner connections employing radiused knuckle between inner bottom and hopper sloping plating | |
|--|---|
| Building tolerances | The nominal distance between the centres of thickness of the two abutting members (e.g. floor and hopper web plate) is not to exceed 1/3 of the as-built thickness of the side girder. |
| Welding requirements | Full penetration welding is to be applied to connections of floors to hopper/inner bottom plating in way of radiused hopper knuckle. Partial penetration welding is to be applied to connections of floors/hopper transverse webs to the side girder in way of hopper corner, and to connections of side girder to hopper/inner bottom plating. Definition of full and partial penetration welding and their required extent are given in Ch 12, Sec 3 . In order to improve the fatigue strength, weld enlargement and grinding are applicable to full and partial penetration welds with a minimum distance of 300 mm from the intersection point between the radiused knuckle, the floor and the side girder. |

Table 5 : Design standard E - upper hopper knuckle connection detail, radiused type

| Connections of transverse webs in double side tanks to hopper tanks Hopper corner connections employing radiused knuckle between side longitudinal bulkhead and hopper sloping plating | |
|---|---|
| Critical areas | Design standard D |
|  |  <p>Elimination of scallops, closer knuckle distance from side stringer and additional longitudinal/transverse brackets</p> |
| Critical locations | |
|  <p>Side shell, Side longitudinal bulkhead, Side stringer, Knuckle line, Hopper, Critical location, $< 50 \text{ mm}>$</p> |  <p>Section B-B, Longitudinal bracket, Transverse bracket, Section C-C, Longitudinal brackets, Transverse web, Transverse bracket, View A</p> |
|  <p>Transverse web, Critical location, Side stringer, Knuckle line, Hopper transverse ring, View A</p> | <p>Note 1: Distance from side stringer to centre of knuckle is to be as small as practicable, but is not to exceed 50 mm.</p> <p>Note 2: The knuckle radius is not to be less than $4.5 t_{as-built}$ or 100 mm, whichever is the greater, where $t_{as-built}$ is the as-built thickness of the knuckle part, according to Ch 12, Sec 1, [3] and Ch 12, Sec 1, [4].</p> <p>Note 3: Additional transverse brackets offset at a suitable distance on either side of transverse floor/hopper connection.</p> <p>Note 4: Additional longitudinal bracket on the side of sloping plate.</p> <p>Note 5: Longitudinal and/or transverse brackets may be omitted if it can be demonstrated that the girder provides sufficient support at the knuckle line, i.e. that fatigue requirements according to Ch 9, Sec 5 and local strength analysis requirements according to Ch 7, Sec 3 are fulfilled.</p> |
| Critical location | Side stringer connections to side longitudinal bulkhead in way of transverse webs. Double side tank transverse web and hopper transverse web connections to side longitudinal bulkhead and to side stringers in way of hopper corners. |
| Detail design standard | Elimination of scallops in way of hopper corners, closer knuckle distance from side stringers. Additional longitudinal/transverse brackets to reduce peak and range of resultant stresses arising from cyclic external hydrodynamic pressure and cargo inertia pressure. |

| Connections of transverse webs in double side tanks to hopper tanks Hopper corner connections employing radiused knuckle between side longitudinal bulkhead and hopper sloping plating | |
|---|---|
| Building tolerances | The nominal distance between the centres of thickness of the two abutting members should not exceed 1/3 of the as-built thickness of the side stringer. |
| Welding requirements | Partial penetration welding is applied to connection of side stringers to side longitudinal bulkhead, connection of double side tank transverse webs to side longitudinal bulkhead and to side stringers, connection of hopper transverse webs to sloped side longitudinal bulkhead and to side stringers in way of hopper corners. Small scallops of suitable shape, which are to be closed by welding after completion of the continuous welding of side stringers to longitudinal bulkhead, are to be provided where scallops are eliminated. Definition of full and partial penetration welding and their required extent are given in Ch 12, Sec 3 . |

Chapter 10

Other Structures

Section 1 Fore Part

Section 2 Machinery Space

Section 3 Aft Part

Section 1 – Fore Part

Symbols

For symbols not defined in this section, refer to **Ch 1, Sec 4**.

α_p : Correction factor for the panel aspect ratio to be taken as:

$$\alpha_p = 1.2 - \frac{b}{2.1a} \text{ but not to be taken as greater than 1.0.}$$

f_{bdg} : Bending moment factor taken as:

$$f_{bdg} = 8\left(1 + \frac{n_s}{2}\right)$$

n_s : End fixation factor taken as:

$n_s = 0$ for both ends with low end fixity (simply supported).

$n_s = 1$ for one end fixed and one end simply supported.

$n_s = 2$ for continuous members or members with bracketed fitted at both ends.

1. General

1.1 Application

1.1.1

The requirements of this section apply to the following structures of the fore part as defined in **Ch 1, Sec 1, [2.4.2]**:

- a) Fore peak structures.
- b) Stem.

In addition, the requirements of this section apply to structure subjected to impact loads:

- c) Flat bottom forward, according to **[3.2]**.
- d) Bow area, according to **[3.3]**.

2. Structural Arrangement

2.1 Floors and bottom girders

2.1.1 Floors

In case of transverse framing, solid floors are to be fitted at each web frame location.

In case of longitudinal framing, the spacing of solid floors is not to be greater than 3.5 m or four transverse frame spaces, whichever is smaller.

The minimum depth of the floor at the centreline is not to be less than the required depth of the double bottom of the foremost cargo hold. See **Ch 2, Sec 3, [2.3]**.

2.1.2 Bottom girders

A supporting structure is to be provided at the centreline either by extending the centreline girder to the stem or by providing a deep girder or centreline bulkhead.

Where a centreline girder is fitted, the minimum depth and thickness is not to be less than that required

for the depth of the double bottom in the neighbouring cargo tank region, and the upper edge is to be stiffened.

In case of transverse framing, the spacing of bottom girders is not to exceed 2.5 m.

In case of longitudinal framing, the spacing of bottom girders is not to exceed 3.5 m.

2.1.3 Alternative design verification

This spacing, defined in [2.1.1] and [2.1.2] may be increased, if the designer performs a verification of the bottom structure by means of grillage analysis or FE analysis and provides their full documentation. The acceptance criteria to be applied are defined in **Ch 6, Sec 6, [3]**. A FE analysis is to be performed under consideration of the requirements provided in **Ch 7**.

2.2 Side shell supporting structure

2.2.1 Web frames

The spacing of web frames, S , in m as defined in **Ch 1, Sec 4, Table 5**, is to be taken as:

$S = 2.6 + 0.005L$, but not to be taken greater than 3.5 m.

Perforated flats are to be fitted to limit the effective span of web frames to not greater than 10 m.

2.2.2 Stringers

The transverse framing forward of the collision bulkhead stringers are to be spaced approximately 3.5 m apart. Stringers are to have an effective span not greater than 10 m, and are to be adequately supported by web frame structures.

2.2.3 Alternative design verification

The spacing of web frames and stringers may be increased, if the designer performs a verification of the side shell supporting structure by means of beam analysis or FE analysis and provides their full documentation.

The acceptance criteria to be applied are defined in **Ch 6, Sec 6, [3]**. A FE analysis is to be performed under consideration of the requirements provided in **Ch 7**.

2.3 Tripping brackets

2.3.1

For side shell and tank walls, located forward of the collision bulkhead and vertically framed, tripping brackets spaced not more than 2.6 m are to be fitted, according to **Figure 1**, between primary supporting members, decks and/or platforms.

The as-built thickness of the tripping brackets is not to be less than the as-built thickness of the side frame webs to which they are connected.

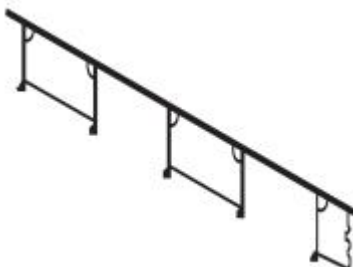


Figure 1 : Tripping brackets

2.4 Bulbous bow

2.4.1 General

Where a bulbous bow is fitted, the structural arrangements are to be such that the bulb is adequately supported and integrated into the fore peak structure.

2.4.2 Diaphragm plates

At the forward end of the bulb the structure is generally to be supported by horizontal diaphragm plates spaced about 1 m apart in conjunction with a deep centreline web.

In general, vertical transverse diaphragm plates are to be arranged in way of the transition from the peak framing to the bulb framing.

2.4.3 Special bulbous bow designs

In way of a wide bulb, additional strengthening in the form of a centreline wash bulkhead is generally to be fitted.

In way of a long bulb, additional strengthening in the form of transverse wash bulkheads or substantial web frames is to be fitted.

2.4.4 Strengthening for anchor and chain cable contact

The shell plating is to be increased in thickness at the forward end of the bulb and also in areas likely to be subjected to contact with anchors and chain cables during anchor handling. The increased plate thickness is to be the same as that required for plated stems given in [4.1.1].

3. Structure subjected to impact loads

3.1 General

3.1.1 Application

The requirements of this sub-section cover the strengthening requirements for local impact loads that may occur in the forward structure. The impact loads to be applied in [3.2] and [3.3] are described in Ch 4, Sec 5, [3].

3.1.2 General scantling requirements

The requirements of [3.2] and [3.3] are to be applied in addition to applicable scantling requirements in Ch 6. Local scantling increases due to impact loads are to be made with due consideration given to details and avoidance of hard spots, notches and other harmful stress concentrations.

3.2 Bottom slamming

3.2.1 Application

Where the minimum draughts forward, T_{F-e} or T_{F-f} , as specified in Ch 4, Sec 5, [3.2.1], are less than $0.045L$, the bottom forward is to be additionally strengthened to resist bottom slamming pressures.

The draughts for which the bottom has been strengthened are to be indicated on the shell expansion plan and loading guidance information, as required in Ch 1, Sec 5.

The load calculation point of the primary supporting members is specified in Ch 3, Sec 7, [4].

3.2.2 Extent of strengthening

The strengthening is to extend forward of $0.3L$ from the FP over the flat of bottom and adjacent plating with attached stiffeners up to a height of 500 mm above the baseline, see Figure 2.

Outside the region strengthened to resist bottom slamming the scantlings are to be tapered to maintain continuity of longitudinal and/or transverse strength.

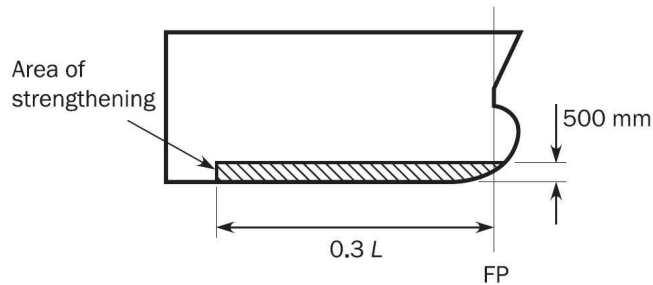


Figure 2 : Extent of strengthening against bottom slamming

3.2.3 Design to resist bottom slamming loads

The design of end connections of stiffeners in the bottom slamming region is to provide end fixity, either by making the stiffeners continuous through supports or by providing end brackets complying with **Ch 3, Sec 6, [3.2]**. Where it is not practical to comply with this requirement, the net plastic section modulus, Z_{pl-alt} , in cm^3 , for alternative end fixity arrangements is not to be less than:

$$Z_{pl-alt} = \frac{16Z_{pl}}{f_{bdg}}$$

where:

Z_{pl} : Net plastic section modulus, in cm^3 , as required by **[3.2.5]**.

Scantlings and arrangements of primary supporting members, including bulkheads in way of stiffeners, are to comply with **[3.2.7]**.

3.2.4 Shell plating

The net thickness of the hull envelope plating, t , in mm, except for the transversely stiffened bilge plating within the cylindrical part of the ship, is not to be less than:

$$t = \frac{0.0158\alpha_p b}{C_d} \sqrt{\frac{P_{SL}}{C_a R_{eH}}}$$

where:

C_d : plate capacity correction coefficient taken as:

$$C_d = 1.3.$$

C_a : Permissible bending stress coefficient taken as:

$$C_a = 1.0 \text{ for acceptance criteria set AC-I}$$

The transversely stiffened bilge plating within the cylindrical part of the ship is to comply with the requirement given in **Ch 6, Sec 4, [2.2]**.

3.2.5 Shell stiffeners (2023)

The shell stiffeners within the strengthening area defined in **[3.2.2]** are to comply with the following criteria:

a) The net plastic section modulus, Z_{pl} , in cm^3 , is not to be less than:

$$Z_{pl} = \frac{0.7 P_{SL} s \ell_{bdg}^2}{f_{bdg} C_s R_{eH}}$$

where :

C_s : Permissible bending stress coefficient taken as:

$$C_s = 0.9 \text{ for acceptance criteria set AC-I.}$$

b) The net web thickness, t_w , in mm, is not to be less than:

$$t_w = \frac{0.7 P_{SL} S \ell_{shr}}{2 d_{shr} C_t \tau_{eH}}$$

where:

C_t : Permissible shear stress coefficient taken as:

$$C_t = 1.0 \text{ for acceptance criteria set AC-I.}$$

3.2.6 Bottom slamming load area for primary supporting members

The scantlings of primary supporting members according to [3.2.7] are based on the application of the slamming pressure defined in Ch 4, Sec 5, [3.2] to an idealised slamming load area of hull envelope plating, A_{SL} , in m^2 , given by:

$$A_{SL} = \frac{1.1 L B C_b}{1000}$$

3.2.7 Primary supporting members (2023)

The size and number of openings in web plating of the floors and girders is to be minimised considering the required shear area as given in a):

a) Net shear area

The net shear area, $A_{shr-n50}$, in cm^2 , of each primary supporting member web at any position along its span is not to be less than:

$$A_{shr-n50} = 10 \frac{Q_{SL}}{C_t \tau_{eH}}$$

where :

Q_{SL} : The greatest shear force due to slamming for the position being considered, in kN, based on the application of a patch load, F_{SL} to the most onerous location, as determined in accordance with b) or c).

C_t : Permissible shear stress coefficient taken as:

$$C_t = 0.9 \text{ for acceptance criteria set AC-I.}$$

b) Simplified calculation of slamming shear force

For simple arrangements of primary supporting members, where the grillage affect may be ignored, the shear force, Q_{SL} , in kN, is given by:

$$Q_{SL} = f_{pt} f_{dist} F_{SL}$$

where:

f_{pt} : Correction factor for the proportion of patch load acting on a single primary supporting member, taken as:

$$f_{pt} = 0.5 (f_{SL}^3 - 2f_{SL}^2 + 2)$$

f_{SL} : Patch load modification factor taken as:

$$f_{SL} = 0.5 \frac{b_{SL}}{S}$$

- f_{dist} : Factor for the greatest shear force distribution along the span, according to **Figure 3**.
 F_{SL} : Patch load, in kN, taken as:

$$F_{SL} = P_{SL} \ell_{SL} b_{SL}$$

 ℓ_{SL} : Extent of slamming load area along the span, in m, taken as:

$$\ell_{SL} = \sqrt{A_{SL}}$$
 but not to be greater than $0.5 \ell_{shr}$
 b_{SL} : Breadth of impact area supported by primary supporting member, in m, taken as:

$$b_{SL} = \sqrt{A_{SL}}$$
 but not to be greater than S .
 A_{SL} : Surface defined in **[3.2.6]**.

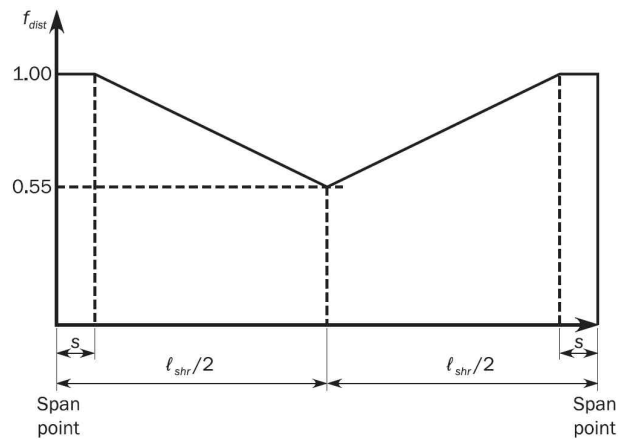


Figure 3 : Distribution of f_{dist} along the span of simple primary supporting members

- c) Direct calculation method for slamming shear force

For complex arrangements of primary supporting members, the greatest shear force, Q_{SL} , at any location along the span of each primary supporting member is to be derived by direct calculation in accordance with **Table 1**.

- d) Web thickness of primary supporting member

The net web thickness, t_w , in mm, of primary supporting members adjacent to the shell is not to be less than:

$$t_w = \frac{s_W}{70} \sqrt{\frac{R_{eH}}{235}}$$

where:

s_W : plate breath, in mm, taken as the spacing between the web stiffening.

Table 1 : Direct calculation methods for derivation of Q_{SL}

| Type of analysis | Model extent | Assumed end fixity of floors |
|--|--|--|
| Beam theory | Overall span of member between effective bending supports. | Fixed at ends |
| Double bottom grillage | Longitudinal extent to be one cargo tank length. Transverse extent to be between inner hopper knuckle and centreline. | Floors and girders to be fixed at boundaries of the model. |
| Note 1: The envelope of greatest shear force along each primary supporting member is to be derived by applying the load patch on a square area as defined in [3.2.6] , to a number of locations along the span. | | |
| Note 2: A more extensive model in length and breadth can be considered. | | |

3.3 Bow impact

3.3.1 Application

The side structure in the ship forward area is to be strengthened against bow impact pressures. The strengthening is to extend forward of $0.1L$ from the FP and vertically above the minimum design ballast draught, T_{BAL} , defined in **Ch 1, Sec 4, [3.1.5]** and forecastle deck if any. See **Figure 4**.

Outside the strengthening area the scantlings are to be tapered to maintain continuity of longitudinal and/or transverse strength.

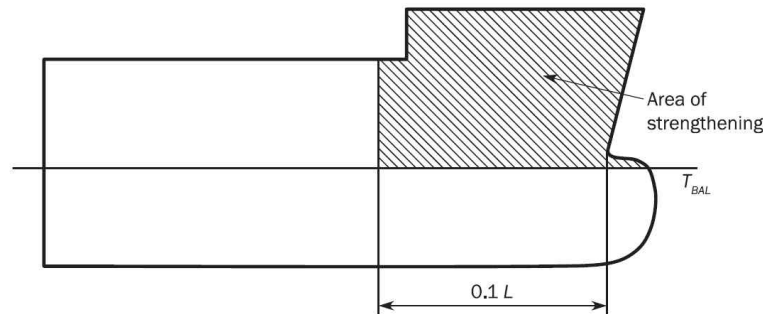


Figure 4 : Extent of strengthening against bow impact

3.3.2 Design to resist bow impact loads

- a) In the bow impact strengthening area, longitudinal framing is to be carried as far forward as practicable.

The design of end connections of stiffeners in the bow impact region are to ensure end fixity, either by making the stiffeners continuous through supports or by providing end brackets complying with **Ch 3, Sec 6, [3.2]**. Where it is not practical to comply with this requirement, the net plastic section modulus, Z_{pl-alt} , in cm^3 , for alternative end fixity arrangements is not to be less than:

$$Z_{pl-alt} = \frac{16Z_{pl}}{f_{bdg}}$$

where:

Z_{pl} : Effective net plastic section modulus, in cm^3 , required by **[3.3.4]**.

- b) Scantlings and arrangements of primary supporting members, including decks and bulkheads, in way of the stiffeners, are to comply with **[3.3.6]**. In areas of the greatest bow impact load, the web stiffeners arranged perpendicular to the hull envelope plating and the double sided lug connections are to be provided.

The main stiffening direction of decks and bulkheads supporting shell framing is to be arranged parallel to the span direction of the supported shell frames, to protect against buckling.

3.3.3 Side shell plating

The net thickness of the side shell plating, t , in mm is not to be less than:

$$t = 0.0158\alpha_p b \sqrt{\frac{P_{FB}}{C_a R_{eH}}}$$

where:

C_a : Permissible bending stress coefficient taken as:

$C_a = 1.0$ for acceptance criteria set AC-I.

3.3.4 Side shell stiffeners

The side shell stiffeners within the strengthening area defined in [3.3.1] are to comply with the following criteria:

- a) The effective net plastic section modulus, Z_{pl} , in cm^3 in association with the effective plating to which it is attached, is not to be less than:

$$Z_{pl} = \frac{P_{FB} S \ell_{bdg}^2}{f_{bdg} C_s R_{eH}}$$

where:

C_s : Permissible bending stress coefficient taken as:

$$C_s = 0.9 \text{ for acceptance criteria set AC-I.}$$

- b) The net web thickness, t_w , in mm, is not to be less than:

$$t_w = \frac{P_{FB} S \ell_{shr}}{2 d_{shr} C_t \tau_{eH}}$$

where:

d_{shr} : Effective web depth of stiffener, in mm, as defined in Ch 3, Sec 7, [1.4.3].

C_t : Permissible shear stress coefficient taken as:

$$C_t = 1.0 \text{ for acceptance criteria set AC-I.}$$

3.3.5 Bow impact load area for primary supporting members

The scantlings of primary supporting members according to [3.3.6] are based on the application of the bow impact pressure, as defined in Ch 4, Sec 5, [3.3.1], to an idealised bow impact load area of hull envelope plating, A_{BI} , in m^2 , is given by:

$$A_{BI} = \frac{1.1 L B C_b}{1000}$$

3.3.6 Primary supporting members

- a) The section modulus of the primary supporting member is to apply along the bending span clear of end brackets and cross sectional areas of the primary supporting member are to be applied at the ends/supports and may be gradually reduced along the span and clear of the ends/supports following the distribution of f_{dist} , indicated in Figure 3.
- b) Primary supporting members in the bow impact strengthening area are to be configured to provide effective continuity of strength and the avoidance of hard spots.
- c) End brackets of primary supporting members are to be suitably stiffened along their edge. Consideration is to be given to the design of bracket toes to minimise abrupt changes of cross section.
- d) Tripping arrangements are to comply with Ch 8, Sec 2, [5.1.1]. In addition, tripping brackets are to be fitted at the toes of end brackets and at locations where the primary supporting member flange is knuckled or curved.
- e) The net section modulus of each primary supporting member, Z_{n50} , in cm^3 , is not to be less than:

$$Z_{n50} = 1000 \frac{f_{bdg-pt} P_{FB} b_{BI} f_{BI} \ell_{bdg}^2}{f_{bdg} C_s R_{eH}}$$

where:

f_{bdg-pt} : Correction factor for the bending moment at the ends and considering the patch load

taken as:

$$f_{bdg-pt} = 3f_{BI}^3 - 8f_{BI}^2 + 6f_{BI}$$

f_{BI} : Patch load modification factor taken as:

$$f_{BI} = \frac{l_{BI}}{l_{bdg}}$$

l_{BI} : Extent of bow impact load area, in m, along the span:

$$l_{BI} = \sqrt{A_{BI}} \text{ but not to be taken as greater than } l_{bdg}.$$

b_{BI} : Breadth of impact load area, in m, supported by the primary supporting member, to be taken as the spacing between primary supporting members, S , as defined in **Ch 1, Sec 4, Table 5**, but not to be taken as greater than l_{BI} .

A_{BI} : Bow impact load area, in m^2 , as defined in **[3.3.5]**.

f_{bdg} : Bending moment factor taken as:

$f_{bdg} = 12$ for primary supporting members with end fixed continuous flange or where brackets at both ends are fitted in accordance with **Ch 3, Sec 6, [4.4]**.

C_s : Permissible bending stress coefficient taken as:

$$C_s = 0.8 \text{ for acceptance criteria set AC-I.}$$

f) The net shear area of the web, $A_{shr-n50}$, in cm^2 , of each primary supporting member at the support/toe of end brackets is not to be less than:

$$A_{shr-n50} = \frac{5f_{PL}P_{FB}b_{BI}l_{shr}}{C_t\tau_{eH}}$$

where:

f_{PL} : Patch load modification factor taken as:

$$f_{PL} = \frac{l_{BI}}{l_{shr}}$$

l_{BI} : Extent of bow impact load area, in m, along the span taken as:

$$l_{BI} = \sqrt{A_{BI}} \text{ but not greater than } l_{shr}.$$

C_t : Permissible shear stress coefficient taken as:

$$C_t = 0.75 \text{ for acceptance criteria set AC-I.}$$

g) The net web thickness of each primary supporting member, t_w , in mm, including decks/bulkheads in way of the side shell is not to be less than:

$$t_w = \frac{P_{FB}b_{BI}}{\sin\varphi_w\sigma_{cr}}$$

where :

φ_w : Angle, in deg, between the primary supporting member web and the shell plate, see **Figure 5**.

σ_{cr} : Critical buckling stress in compression of the web of the primary supporting member or deck/bulkhead panel in way of the applied load given by **Ch 8, Sec 5, [2.2.3]**, in N/mm^2 . In the calculation, both σ_x and σ_y given in **Ch 8, Sec 5, [2.2.3]** are to be considered and UP-B is to be applied.

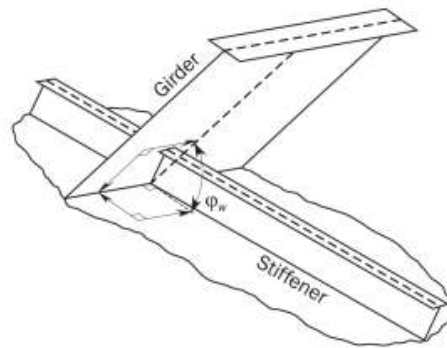


Figure 5 : Angle between shell primary member and shell plate

4. Additional scantling requirements

4.1 Plate stem

4.1.1

The net thickness, t_{Stm} , in mm, is not to be less than:

$$t_{Stm} = (0.6 + 0.4S_B)(0.08L + 2.7)\sqrt{k} \text{ but need not be greater than } 22\sqrt{k} - 1$$

where:

S_B : Spacing, in m, between horizontal stringers (partial or not), breasthooks, or equivalent horizontal stiffening members.

Starting from 0.6 m above the summer load waterline up to $T_{SC} + C_w$, the net thickness may gradually be reduced to $0.8t_{Stm}$.

4.1.2 Breasthooks and diaphragm plating

The net thickness of breasthooks/diaphragm plates in way of bow impact strengthening area defined in [3.3.1], t_w , in mm, is not to be less than:

$$t_w = \frac{s}{70} \sqrt{\frac{R_{eH}}{235}}$$

where:

s : Spacing of stiffeners on the web, as defined in Ch 1, Sec 4, Table 5, in mm. Where no stiffeners are fitted, s is to be taken as the depth of the web.

4.2 Thruster tunnel

4.2.1

The net thickness of the tunnel plating, t_{tun} , in mm, is not to be less than the net required thickness for the shell plating in the vicinity of the bow thruster.

In addition, t_{tun} is not to be taken less than:

$$t_{tun} = 0.008 d_{tun} + 1.8$$

where:

d_{tun} : inside diameter of the tunnel, in mm, but not to be taken less than 970 mm.

Where the outboard ends of the tunnel are provided with bars or grids, the bars or grids are to be effectively secured.

Section 2 – Machinery space

1. General

1.1 Application

1.1.1

The requirements of this section apply to the scantlings and arrangement of structures located in the machinery space. It is the shipyard responsibility to design the ship in accordance with the machinery manufacturer's requirements.

2. Machinery space arrangement

2.1 Structural arrangement

2.1.1

Where openings in decks/bulkheads are provided in the machinery space, the arrangements are to support the deck, side, and bottom structure.

2.1.2

All parts of the machinery, shafting, etc, are to be supported to distribute the loads into the ship's structure. The adjacent structure is to be suitably stiffened.

2.1.3

Primary supporting members are to be positioned giving consideration to the provision of through stiffeners and in line pillar supports to achieve an efficient structural design.

2.1.4

The spacing of web frames in way of transversely framed machinery spaces is generally not to exceed five transverse frame spaces. Web frames are to be connected at the top and bottom to members of suitable stiffness, and supported by deck transverses.

2.1.5

End connections of side longitudinals at transverse bulkheads are to provide fixity, lateral support, and when not continuous are to be provided with soft-toe brackets. Brackets lapped onto the longitudinals are not to be fitted.

2.1.6

Where a transverse framing system is adopted, deck stiffeners are to be supported by a suitable arrangement of longitudinal girders in association with pillars or pillar bulkheads. Where fitted, deck transverses are to be arranged in line with web frames to provide end fixity and transverse continuity of strength.

Where a longitudinal framing system is adopted, deck longitudinals are to be supported by deck transverses in line with web frames in association with pillars or pillar bulkheads.

2.1.7

Machinery casings are to be supported by a suitable arrangement of deck transverses and longitudinal girders in association with pillars or pillar bulkheads. In way of particularly large machinery casing openings, cross ties may be required. These are to be arranged in line with deck transverses.

2.1.8

The foundations for main propulsion units, reduction gears, shaft and thrust bearings, and the structure

supporting those foundations are to maintain the required alignment and rigidity under all anticipated conditions of loading. Consideration is to be given to the submittal of the following plans to the machinery manufacturer for review:

- a) Foundations for main propulsion units.
- b) Foundations for reduction gears.
- c) Foundations for thrust bearings.
- d) Structure supporting a), b) and c).

2.2 Double bottom

2.2.1 Double bottom height

The double bottom height at the centreline, irrespective of the location of the machinery space, is to be not less than the value defined in **Ch 2, Sec 3, [2.3.1]**. This depth may need to be considerably increased in relation to the type and depth of main machinery seatings.

The above height is to be increased by the shipyard where the machinery space is very large and where there is a considerable variation in draught between light ballast and full load conditions.

Where the double bottom height in the machinery space differs from that in adjacent spaces, structural continuity of longitudinal members is to be provided by sloping the inner bottom over an adequate longitudinal extent. The knuckles in the sloped inner bottom are to be located in way of floors. Lesser double bottom height may be accepted in local areas provided that the overall strength of the double bottom structure is not thereby impaired.

2.2.2 Centreline girder

The double bottom is to be arranged with a centreline girder. In way of any openings for manholes on the centreline girder, permitted only where absolutely necessary for double bottom access and maintenance, local strengthening is to be arranged.

2.2.3 Side bottom girders

In the machinery space, the number of side bottom girders is to be adequately increased, with respect to the adjacent areas, to provide adequate rigidity of the structure. The side bottom girders in longitudinally stiffened double bottom, are to be a continuation of any bottom longitudinals in the areas adjacent to the machinery space and are generally to have a spacing not greater than 3 times that of longitudinals and in no case greater than 3 m.

2.2.4 Girders in way of machinery seatings

Additional side bottom girders are to be fitted in way of machinery seating.

2.2.5 Floors in longitudinally stiffened double bottom

Where the double bottom is longitudinally stiffened, plate floors are to be fitted at every frame under the main engine and thrust bearing. Outboard of the engine and bearing seatings, the floors may be fitted at alternate frames.

2.2.6 Floors in transversely framed double bottom

Where the double bottom in the machinery space is transversely stiffened, floors are to be arranged at every frame.

2.2.7 Manholes and wells

The number and size of manholes in floors located in way of seatings and adjacent areas are to be kept to the minimum necessary for double bottom access and maintenance.

In general, manhole edges are to be stiffened with flanges; failing this, the floor plate is to be adequately stiffened with flat bars at manhole sides.

Manholes with perforated portable plates are to be fitted in the inner bottom in the vicinity of wells arranged close to the aft bulkhead of the engine room.

Drainage of the tunnel is to be arranged through a well located at the aft end of the tunnel.

2.2.8 Inner bottom plating

Where main engines or thrust bearings are bolted directly to the inner bottom, the net thickness of the inner bottom plating is to be at least 19 mm. Hold-down bolts are to be arranged as close as possible to floors and longitudinal girders. Plating thickness and the arrangements of hold-down bolts are also to consider the manufacturer's recommendations.

2.2.9 Heavy equipment

Where heavy equipment is mounted directly on the inner bottom, the thickness of the floors and girders is to be suitably increased.

3. Machinery foundations

3.1 General

3.1.1

Main engines and thrust bearings are to be effectively secured to the hull structure by foundations of strength that is sufficient to resist the various gravitational, thrust, torque, dynamic, and vibratory forces which may be imposed on them.

3.1.2

In the case of higher power internal combustion engines or turbine installations, the foundations are generally to be integral with the double bottom structure. Consideration is to be given to substantially increase the inner bottom plating thickness in way of the engine foundation plate or the turbine gear case and the thrust bearing, see Type 1 of **Figure 1**.

3.1.3

For main machinery supported on foundations of Type 2, as shown in **Figure 2**, the forces from the engine into the adjacent structure are to be distributed as uniformly as possible. Longitudinal members supporting the foundation are to be aligned with girders in the double bottom, and transverse stiffening is to be arranged in line with the floors, see Type 2 of **Figure 2**.

3.2 Foundations for internal combustion engines and thrust bearings

3.2.1

In determining the scantlings of foundations for internal combustion engines and thrust bearings, consideration is to be given to the general rigidity of the engine and to its design characteristics with regard to out of balance forces.

3.2.2

Generally, two girders are to be fitted in way of the foundation for internal combustion engines and thrust bearings.

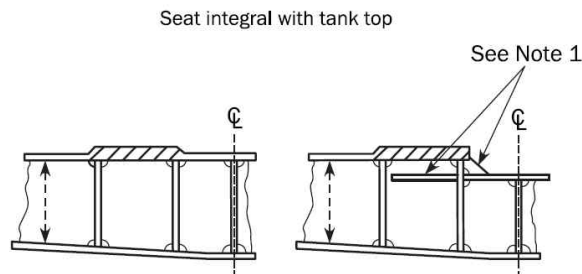


Figure 1 : Machinery foundations Type 1

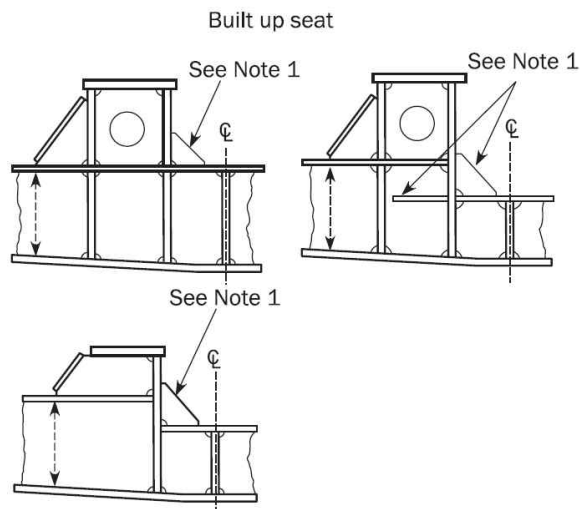


Figure 2 : Machinery foundation Type 2

Note 1: Brackets are to be as large as possible. Brackets may be omitted to avoid interference with the girders of the engine foundation, in accordance with recommendations of the engine manufacturer.

3.3 Auxiliary foundations

3.3.1

Auxiliary machinery is to be secured on foundations that are of suitable size and arrangement to distribute the loads from the machinery evenly into the supporting structure.

Section 3 – Aft part

Symbols

For symbols not defined in this section, refer to **Ch 1, Sec 4**.

L_1 : Reference rule length, in m, taken as less of L and 250 m.

L_2 : Reference rule length, in m, taken as less of L and 300 m.

1. General

1.1 Application

1.1.1

The requirements of this section apply for the scantlings and arrangement of structures located aft of the aft peak bulkhead.

2. Aft peak

2.1 Structural arrangement

2.1.1 Floors

Floors are to be fitted at each frame space in the aft peak and carried to a height at least above the stern tube. Where floors do not extend to flats or decks, they are to be stiffened by flanges at their upper end.

Heavy plate floors are to be fitted in way of the aft face of the horn and in line with the webs in the rudder horn. They may be required to be carried up to the first deck or flat. In this area, cut outs, scallops or other openings are to be kept to a minimum.

2.1.2 Platforms and side girders

Platforms and side girders within the peak are to be arranged in line with those located in the area immediately forward.

Where this arrangement is not possible due to the shape of the hull and access needs, structural continuity between the peak and the structures of the area immediately forward is to be ensured by adopting wide tapering brackets.

Where the aft peak is adjacent to a machinery space whose side is longitudinally framed, the side girders in the aft peak are to be fitted with tapering brackets.

Where the depth from the peak tank top to the weather deck is greater than 2.6 m and the side is transversely framed, one or more side girders are to be fitted, preferably in line with similar structures existing forward.

2.1.3 Longitudinal bulkheads

A longitudinal non-tight bulkhead is to be fitted on the centreline of the ship, in general in the upper part of the peak, and stiffened at each frame spacing.

Where either the stern overhang is very large or the maximum breadth of the space divided by watertight and wash bulkheads is greater than 20 m, additional longitudinal wash bulkheads may be required.

2.1.4 Alternative design verification

The spacing and arrangement requirements, defined in [2.1.1], [2.1.2] and [2.1.3] may be increased, if the designer performs a verification by means of grillage analysis or FE analysis and provides their full documentation. The acceptance criteria to be applied are defined in Ch 6, Sec 6, [3]. A FE analysis is to be performed under consideration of the requirements provided in Ch 7.

2.2 Stiffening of floors and girders in aft peak

2.2.1

Stiffeners on the floors and girders in aft peak ballast or fresh water tanks above propeller are to be designed in accordance with [2.2.2] and [2.2.3]. This applies for stiffeners located in an area extending longitudinally between the forward edge of the rudder and the after end of the propeller boss and transversely within the diameter of the propeller.

2.2.2

The height of stiffeners, h_{stf} , in mm, on the floors and girders are not to be less than:

$$h_{stf} = 80 \ell_{stf} \text{ for flat bar stiffeners.}$$

$$h_{stf} = 70 \ell_{stf} \text{ for bulb profiles and flanged stiffeners.}$$

where:

ℓ_{stf} : Length of stiffener, in m, as shown in Figure 1. Length need not be taken greater than 5 m.

2.2.3

End brackets are to be provided as follows:

- Brackets are to be fitted at the lower and upper ends when ℓ_{stf-t} exceeds 4 m.
- Brackets are to be fitted at the lower end when ℓ_{stf-t} exceeds 2.5 m.

where:

ℓ_{stf-t} : Total length of stiffener, in m, as shown in Figure 1.

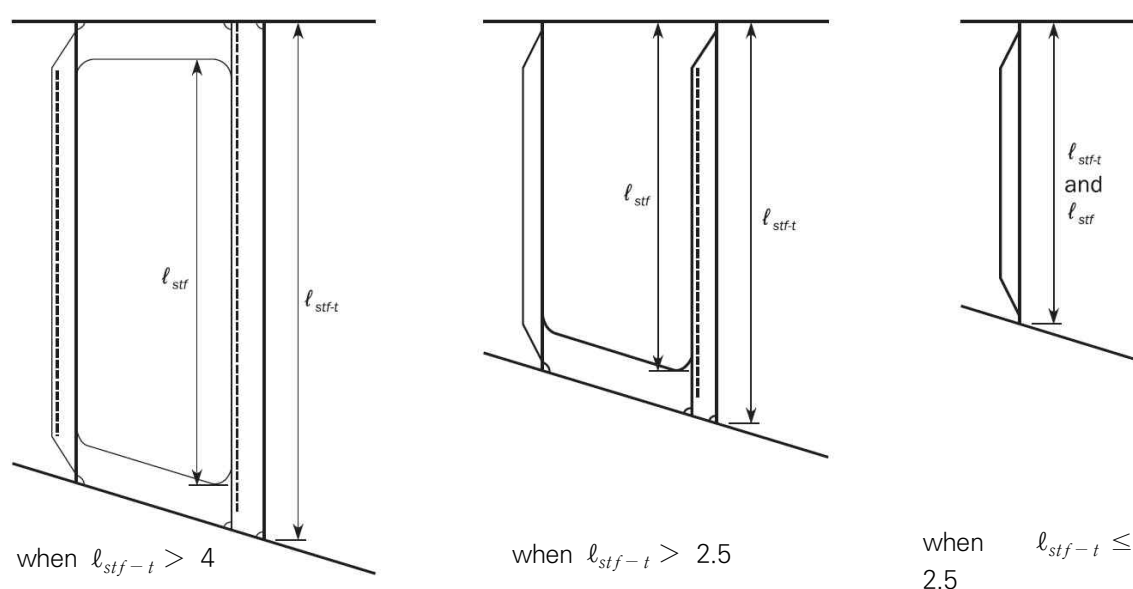


Figure 1 : Stiffening of floors and girders in the aft peak tank

3. Stern frames

3.1 General

3.1.1

Stern frames may be fabricated from steel plates or made of cast steel with a hollow section. For applicable material specifications and steel grades, see **Ch 3, Sec 1**. Stern frames of other material or construction will be specially considered.

3.1.2

Cast steel and fabricated stern frames are to be strengthened by adequately spaced plates with gross thickness not less than 80% of required thickness for stern frames. Abrupt changes of section are to be avoided in castings; all sections are to have adequate tapering radius.

3.1.3

In the upper part of the propeller aperture, where the hull form is full and centreline supports are provided, the thickness of stern frames may be reduced to 80% of the applicable requirement in **[3.2.1]**.

3.2 Propeller posts

3.2.1 Gross scantlings of propeller posts

The gross scantlings of propeller posts are not to be less than those obtained from the formulae in **Table 1** for single screw ships and **Table 2** for twin screw ships.

Scantlings and proportions of the propeller post which differ from **Table 1** and **Table 2** may be considered acceptable provided that the section modulus of the propeller post section about its longitudinal axis is not less than that calculated with the propeller post scantlings in **Table 1** or **Table 2**, as applicable.

Table 1 : Single screw ships – Gross scantlings of propeller posts

| Gross scantlings of propeller posts, in mm | Fabricated propeller post | Cast propeller post | Bar propeller post, cast or forged, having rectangular section |
|--|---------------------------|---------------------|--|
| <i>a</i> | $50L_1^{1/2}$ | $33L_1^{1/2}$ | $10\sqrt{7.2L - 256}$ |
| <i>b</i> | $35L_1^{1/2}$ | $23L_1^{1/2}$ | $10\sqrt{4.6L - 164}$ |
| <i>t</i> ₁ | $2.5L_1^{1/2}$ | $3.2L_1^{1/2}$ | – |
| <i>t</i> ₂ | – | $4.4L_1^{1/2}$ | – |
| <i>t</i> _d | $1.3L_1^{1/2}$ | $2.0L_1^{1/2}$ | – |
| <i>R</i> | – | 50 mm | – |

Table 2 : Twin screw ships – Gross scantlings of propeller posts

| Gross scantlings of propeller posts, in mm | Fabricated propeller post | Cast propeller post | Bar propeller post, cast or forged, having rectangular section |
|--|---------------------------|---------------------|--|
| a | $25L^{1/2}$ | $12.5L^{1/2}$ | $2.4L + 6$ |
| b | $25L^{1/2}$ | $25L^{1/2}$ | $0.8L + 2$ |
| t_1 | $2.5L^{1/2}$ | $2.5L^{1/2}$ | – |
| t_2 | $3.2L^{1/2}$ | $3.2L^{1/2}$ | – |
| t_3 | – | $4.4L^{1/2}$ | – |
| t_d | $1.3L^{1/2}$ | $2.0L^{1/2}$ | – |

3.2.2 Propeller shaft bossing

In single screw ships, the thickness of the propeller shaft bossing, included in the propeller post, is not to be less than 60% of the dimension b required in [3.2.1] for bar propeller posts with a rectangular section.

3.3 Connections

3.3.1 Connections with hull structure

Stern frames are to be effectively attached to the aft structure and the required scantling for the lower part of the propeller post is to be extended from the aft end of the propeller post, at the centerline of the propeller shaft, to a length not less than $1500 + 6L_2$ mm, in order to provide an effective connection with the keel. However, the stern frame need not extend beyond the aft peak bulkhead.

3.3.2 Connection with keel plate

The thickness of the lower part of the stern frames is to be gradually tapered to that of the solid bar keel or keel plate.

Where a keel plate is fitted, the lower part of the stern frame is to be designed to ensure an effective connection with the keel.

3.3.3 Connection with transom floors

Rudder posts and propeller posts are to be connected with transom floors having height not less than that of the double bottom height and a net thickness not less than that obtained, in mm, from the following formula:

$$t = 9 + 0.023 L_1$$

3.3.4 Connection with centre keelson

Where the stern frame is made of cast steel, the lower part of the stern frame is to be fitted, as far as practicable, with a longitudinal web for connection with the centre keelson.

4. Special scantling requirements for shell structure

4.1 Shell plating

4.1.1 Shell plating connected with stern frame

The net thickness of shell plating connected with the stern frame is not to be less than that obtained, in mm, from the following formula:

$$t = 0.094(L_2 - 43) + 0.009b$$

In way of the boss and heel plate, the net thickness, t , of shell plating, in mm, is not to be less than:

$$t = 0.105(L_2 - 47) + 0.011b$$

where:

b : Breadth of plate panel, in mm, as defined in **Ch 3, Sec 7, [2.2.2]**.

4.1.2 Heavy shell plates

Heavy shell plates are to be fitted locally in way of the heavy plate floors as required by **[2.1.1]**. The net thickness of heavy shell plates is not to be less than the value given in **[4.1.1]**. Outboard of the heavy floors, the heavy shell plates may be reduced in thickness in as gradual a manner as practicable. Where the horn plating is radiused into the shell plating, the radius at the shell connection, r in mm, is not to be less than:

$$r = 150 + 0.8L_2$$

4.1.3 Thruster tunnel plating

The net thickness of the tunnel plating, t_{tum} in mm, is to comply with the requirements in **Ch 10, Sec 1, [4.2.1]**.

Chapter 11

Superstructure, Deckhouses and Hull Outfitting

Section 1 Superstructures, Deckhouses and Companionways

Section 2 Bulwark and Guard Rails

Section 3 Equipment

Section 4 Supporting Structure for Deck Equipment and Fittings

Section 1 – Superstructures, Deckhouses and Companionways

Symbols

For symbols not defined in this Section, refer to **Ch 1, Sec 4**.

P : Pressure applied on the considered superstructure side or deck, in kN/m^2

$P = P_D$ for external decks,

$P = P_{dl}$ for unexposed deck,

$P = P_{SI}$ for superstructure side.

P_D : Lateral pressure for exposed decks, in kN/m^2 , as defined in **Ch 4, Sec 5, [2]** and in **Ch 4, Sec 5, [4.2]**.

P_{dl} : Lateral pressure for unexposed decks, in kN/m^2 , as defined in **Ch 4, Sec 6, [3]**.

P_{SI} : Lateral pressure for superstructure side, in kN/m^2 , as defined in **Ch 4, Sec 5, [4.3]**.

P_{FB} : Lateral pressure for side shell plating, in kN/m^2 , affected by bow impact requirements according to **Ch 4, Sec 5, [3.3.1]**.

P_A : External pressure for end bulkheads of superstructure and deckhouse walls, in kN/m^2 according to **Ch 4, Sec 5, [4.4.1]**.

l_{bdg} : Effective bending span, in m, as defined in **Ch 3, Sec 7**.

l_{shr} : Effective shear span, in m, as defined in **Ch 3, Sec 7**.

c : Coefficient taken as:

$c = 0.75$ for beams, girders and transverses which are simply supported in one or both ends.

$c = 0.55$ in other cases.

m_a : Coefficient taken as:

$$m_a = 0.204 \frac{s}{1000 l_{bdg}} \left[4 - \left(\frac{s}{1000 l_{bdg}} \right)^2 \right] \text{ with } \frac{s}{1000 l_{bdg}} \leq 1$$

1. General

1.1 Application

1.1.1

The requirements of this section are applicable to superstructures, deckhouses and companionways, made of steel. The requirements of **Ch 6** apply in addition to those of this section for exposed decks of superstructure and the side of superstructure or deckhouse when this side is part of the side shell.

1.1.2

For the application of this section, a superstructure is considered being located aft or forward $0.4 L$ amidships or having a length of less than $0.15 L$.

1.1.3

For the application of this section, the length of a deckhouse located within $0.4 L$ amidships is considered not exceeding $0.2 L$.

1.2 Gross scantlings

1.2.1

With reference to Ch 3, Sec 2, [1.1.3], all scantlings and dimensions referred to in [3] are gross.

2. Structural arrangement

2.1 Structural continuity

2.1.1 Bulkheads and sides of deckhouses

The aft, front and side bulkheads are to be effectively supported by under deck structures such as bulkheads, girders and pillars.

Sides and main longitudinal and transverse bulkheads are to be in line in the various tiers of deckhouses. Where such arrangement in line is not possible, other effective support is to be provided.

Arrangements are to be made to minimise the effect of discontinuities in erections. All openings cut in the sides are to be framed and have well-rounded corners. Continuous coamings or girders are to be fitted below and above doors and similar openings.

2.1.2 Deckhouse corners

At the corners where the deckhouse is attached to the strength deck, attention is to be given to the arrangements to transmit load into the under deck supporting structure.

2.2 End connections

2.2.1 Deck stiffeners

Transverse beams are to be connected to side frames by brackets according to Ch 3, Sec 6, [3.2]. Beams crossing longitudinal walls and girders may be attached to the stiffeners of longitudinal walls and the webs of girders respectively by welding without brackets.

2.2.2 Longitudinal and transverse deck girders

Face plates are to be stiffened by tripping brackets according to Ch 3, Sec 6, [4.3].

2.2.3 End connections of superstructure frames

Vertical frames are to be welded to the main frames below, or to the deck under provision of a sufficient supporting structure.

2.3 Local reinforcement on bulkheads

2.3.1

Local reinforcement is to be provided in way of large openings and areas supporting life saving appliances or high loads from other equipment, fittings, etc.

3. Scantlings

3.1 Superstructures sides and decks

3.1.1 Exposed sides and exposed deck plating

Exposed sides and exposed deck plating inclusive their supporting structure are to comply with the requirements given in [3.2.1] to [3.2.5] and bow impact requirements in Ch 10, Sec 1, [3.3], if applicable.

3.1.2 Deck plating of unexposed decks

The deck plating and supporting structures of unexposed decks of superstructures are to comply with requirements given in [3.2.2] to [3.2.5].

3.2 Deckhouses

3.2.1 Plating

The gross thickness of the plating, t_{gr-exp} , in mm, is not to be less than

$$t_{gr-exp} = 7.5 \sqrt{\frac{kS}{s_{std}}}, \text{ on first tier.}$$

$$t_{gr-exp} = 7.0 \sqrt{\frac{kS}{s_{std}}}, \text{ on second tier.}$$

$$t_{gr-exp} = 6.5 \sqrt{\frac{kS}{s_{std}}}, \text{ on third tier and above.}$$

where:

s_{std} : Standard reference spacing of stiffeners or beams, in mm, taken as:

$$s_{std} = 470 + 1.67 L_1$$

Where deck is protected by sheathing, the gross thickness of the deck plating may be reduced by 1.5 mm, without being less than 5 mm.

Where sheathing other than wood is used, attention is to be paid that the sheathing does not affect the steel. The sheathing is to be effectively fitted to the deck.

3.2.2 Deck plating of unexposed decks

The gross thickness of the unexposed deck plating, $t_{gr-unexp}$, in mm, is not to be less than the greater value of:

$$t_{gr-unexp} = 0.9 t_{gr-exp} \text{ at the tier considered, and}$$

$$t_{gr-unexp} = \left(5.8 \frac{S}{1000} + 1 \right) \sqrt{k} \text{ but not less than 5.5 mm.}$$

3.2.3 Beams and stiffeners

The gross section modulus Z_{gr} , in cm³, and the gross shear area A_{gr-sh} , in cm², of transverse beams and of stiffeners are not to be less than:

$$Z_{gr} = c k P \frac{S}{1000} l_{bdg}^2$$

$$A_{gr-sh} = 0.05 (1 - 0.817 m_a) k P \frac{S}{1000} l_{shr}$$

3.2.4 Girders and transverses

The gross section modulus Z_{gr} , in cm³, and the gross shear area A_{gr-sh} , in cm², of girders and transverses are not to be less than:

$$Z_{gr} = c k P S l_{bdg}^2$$

$$A_{gr-sh} = 0.05 k P S l_{shr}$$

The girder depth is not to be less than $l/25$. The web depth of girders scalloped for continuous deck beams is to be at least 1.5 times the depth of the deck beams.

3.2.5 Alternative grillage analysis for girders and transverses

Where arrangements of deck girders and transverses are such that these members act as a grillage structure, additional analysis may be carried out with a structural model based on the gross scantling.

The resulting stresses are not to exceed the following permissible bending, shear and equivalent stresses, in N/mm², taken as:

$$\sigma_b = 150 / k$$

$$\tau = 100 / k$$

$$\sigma_{eqv} = 180 / k$$

3.3 Deckhouse walls and end bulkheads of superstructure

3.3.1 Application

The requirements in [3.3] apply to end bulkhead of superstructure and deckhouse walls forming the only protection for openings and for accommodations.

Special consideration may be given to the bulkhead scantlings of deckhouses which do not protect openings in the freeboard deck, superstructure deck or in the top of a lowest tier deckhouse. Special consideration may also be given to the bulkhead scantlings of deckhouses which do not protect machinery casings, provided they do not contain accommodation or do not protect equipment essential to the operation of the ship.

3.3.2 Plate thickness

The gross thickness of the plating t_{gr} , in mm, is not to be less than the greater of:

$$t_{gr} = 0.9 \frac{s}{1000} \sqrt{k P_A} + 1.5$$

$$t_{gr} = \left(5.0 + \frac{L_2}{100} \right) \sqrt{k} \text{ , for the lowest tier.}$$

$$t_{gr} = \left(4.0 + \frac{L_2}{100} \right) \sqrt{k} \text{ , for the upper tiers, without being less than 5.0 mm.}$$

3.3.3 Stiffeners

The gross section modulus Z_{gr} , in cm³, of the stiffeners is not to be less than:

$$Z_{gr} = 0.35 k P_A \frac{s}{1000} l^2$$

This requirement assumes the webs of lowest tier stiffeners to be efficiently welded to the decks. Scantlings for other types of end connections are to be specially considered.

The section modulus of deckhouse side stiffeners needs not to be greater than that of side frames on the deck situated directly below, taking account of spacing s and span l .

3.4 Companionways

3.4.1

The scantlings of companionways are to be determined in accordance with [3.2] and [3.3].

Section 2 – Bulwark and Guard Rails

1. General requirements

1.1 Application

1.1.1

Bulwarks or guard rails are to be provided at the boundaries of exposed freeboard and superstructure decks, at the boundary of first tier of deckhouses and at the ends of superstructures.

1.2 Minimum height

1.2.1

Bulwarks, or guard rails, are to be a minimum of 1.0 m in height, measured above sheathing, and are to be constructed as required in [2.2] and [3.2]. Where this height would interfere with the normal operation of the ship, a lesser height may be accepted, on the basis of justifying information to be submitted.

2. Bulwarks

2.1 General

2.1.1

Plate bulwarks are to be stiffened at the upper edge by a suitable rail and supported either by stays or plate brackets spaced not more than 2.0 m apart.

The free edge of the stay or the plate bracket is to be stiffened.

2.1.2

Within $0.6L$ amidships, bulwarks are to be arranged to ensure that they are free from hull girder stresses.

2.1.3

Bulwarks are to be adequately strengthened and increased in thickness in way of mooring pipes.

Cut-outs in bulwarks for gangways or other openings are to be kept clear of breaks of superstructures.

2.1.4

Bulwark plating and stays are to be adequately strengthened in way of eye plates used for shrouds or other tackles in use for cargo gear operation, as well as in way of hawser holes or fairleads provided for mooring or towing.

2.1.5

Openings in bulwarks are to be arranged so that the protection of the crew is to be at least equivalent to that provided by the horizontal courses in [3.2.2].

For this purpose, vertical rails or bars spaced approximately 230 mm apart may be accepted in lieu of rails or bars arranged horizontally.

2.1.6

Where mooring fittings subject the bulwark to large forces, the stays are to be adequately strengthened.

2.2 Construction of bulwarks

2.2.1 Plating

The gross thickness of bulwark plating, at the boundaries of exposed freeboard and superstructure decks, is not to be less than that given in **Table 1**.

Table 1: Height of bulwark Gross thickness

| Height of bulwark | Gross thickness |
|---------------------|--|
| 1.8 m or more | Thickness required for a superstructure side in the same position, obtained from Ch 11, Sec 1, [3.2.1] , but not to be less than 6.5 mm |
| 1.0 m | 6.5 mm |
| Intermediate height | To be determined by linear interpolation |

2.2.2 Stays

The gross section modulus of stays, $Z_{stay-gr}$, in cm^3 , is not to be less than:

$$Z_{stay-gr} = 77 h_{blwk}^2 s_{stay}$$

Where:

h_{blwk} : Height of bulwark from the top of the deck plating to the top of the rail, in m.

s_{stay} : Spacing of the stays, in m.

In the calculation of the section modulus, only the material connected to the deck is to be included. The bulb or flange of the stay may be taken into account where connected to the deck. Where the bulwark plating is connected to the sheer strake, a width of attached plating, not exceeding 600 mm, may also be included.

2.2.3

Where bulwarks are cut completely, stays or plate brackets of increased strength are to be fitted at the ends of openings.

Bulwark stays are to be supported by, or are to be in line with, suitable under deck stiffening. The stiffening is to be connected by double continuous fillet welds in way of bulwark stay connections.

2.2.4

At the ends of superstructures and for the distance over which their side plating is tapered into the bulwark, the latter is to have the same thickness as the side plating. Where openings are cut in the bulwark at these positions, adequate compensation is to be provided either by increasing the thickness of the plating or by other suitable means.

3. Guard rails

3.1 General

3.1.1

Where superstructures are connected by trunks, open rails are to be fitted for the whole length of the exposed parts of the freeboard deck.

3.2 Construction of guard rails

3.2.1

Stanchions of guard rails are to comply with the following requirements:

- a) Fixed, removable or hinged stanchions are to be fitted approximately 1.5 m apart.
- b) At least every third stanchion is to be supported by a bracket or stay.
- c) Removable or hinged stanchions are to be capable of being locked in the upright position.
- d) In the case of ships with rounded sheer strake, the stanchions are to be placed on the flat of the deck.
- e) In the case of ships with welded sheer strake, the stanchions are not to be attached to the sheer strake, upstand or a continuous gutter bar.

3.2.2

The size of openings, below the lowest course of rails and the deck or upstand, is to be a maximum of 230 mm. The distance between other courses is not to be greater than 380 mm.

3.2.3

Wire ropes may be accepted, in lieu of guard rails, only in special circumstances and then only in limited lengths. In such cases, they are to be made taut by means of turnbuckles.

3.2.4

Chains may be accepted, in lieu of guard rails, only where they are fitted between two fixed stanchions and/or bulwarks. If the opening is wide, the chains are to be fitted with vertical courses to prevent the horizontal courses from spreading apart.

Section 3 – Equipment

Symbols [Deleted] (2022)

1. General

1.1 Application

1.1.1

The anchoring equipment is to be in accordance with relevant chapters of **Pt 4** of the **Rules and Guidance for the Classification of Steel Rules**. (2022)

1.1.2 [Deleted] (2022)

1.1.3 [Deleted] (2022)

2. Equipment number calculation [Deleted] (2022)

3. Anchoring equipment [Deleted] (2022)

Section 4 – Supporting Structure for Deck Equipment and Fittings

Symbols

For symbols not defined in this section, refer to **Ch 1, Sec 4**.

SWL : Safe working load as defined in [4.1.4].

Normal stress : The sum of bending stress and axial stress with the corresponding shearing stress acting perpendicular to the normal stress.

1. General

1.1 Application

1.1.1

The supporting structure and foundations for deck equipment and fittings are to be in accordance with relevant chapters of **Pt 4** of the **Rules and Guidance for the Classification of Steel Rules. (2022)**

1.1.2

Where deck equipment is subject to multiple load cases, such as operational loads and green sea load, the loads are to be applied independently for the evaluation of strength of foundations and support structure.

1.2 Documents to be submitted

1.2.1

The documents to be submitted are indicated in **Ch 1, Sec 3**.

2. Anchoring windlass and chain stopper

2.1 General

2.1.1

The windlass is to be efficiently bedded and secured to the deck.

2.1.2

The builder and the windlass manufacturer are to ensure that the foundation is suitable for the safe operation and maintenance of the windlass equipment.

2.1.3

The supporting structure is to be dimensioned to ensure that for each of the load scenarios specified in [2.1.5] and [2.1.6], the stresses do not exceed the permissible values given in [2.1.12] to [2.1.15].

2.1.4

These requirements are to be assessed based on net scantlings.

2.1.5

The following load cases are to be examined for the anchoring operation, as appropriate:

- a) Windlass where chain stoppers are fitted but not attached to the windlass: 45% of *BS*.
- b) Windlass where no chain stoppers is fitted or the chain stopper is attached to the windlass: 80% of *BS*.

c) Chain stopper: 80 % of BS .

where:

BS : Minimum breaking strength of the chain cable.

2.1.6

The following forces are to be applied in the independent load cases that are to be examined for the design loads due to green sea over the forward $0.25L$, see **Figure 1**:

$P_x = 200 A_x$, in kN, acting normal to the shaft axis.

$P_y = 150 A_y f$, in kN, acting parallel to the shaft axis (inboard and outboard directions to be examined separately).

where:

A_x : Projected frontal area, in m^2 .

A_y : Projected side area, in m^2 .

f : Coefficient taken as:

$$f = 1 + B_w / H, \text{ but not to be taken greater than } 2.5.$$

B_w : Breadth of windlass measured parallel to the shaft axis, in m, see **Figure 1**.

H : Overall height of windlass, in m, see **Figure 1**.

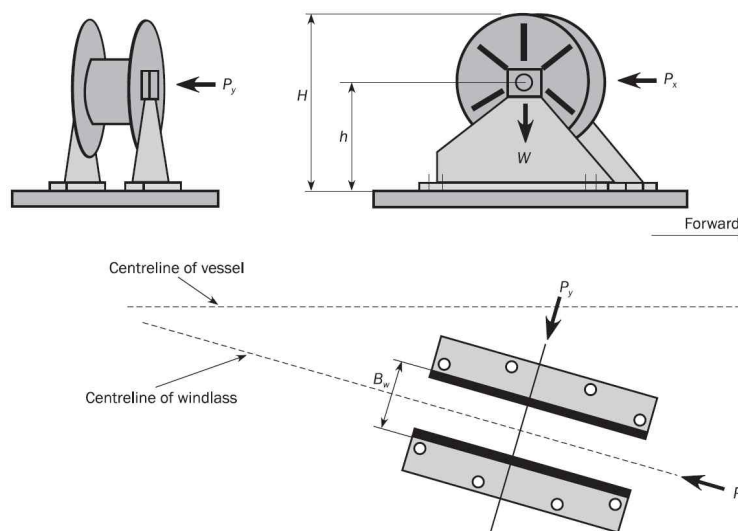


Figure 1 : Directions of forces and weight

2.1.7

Forces resulting from green sea design loads in the bolts, chocks and stoppers securing the windlass to the deck are to be calculated. The windlass is supported by a number of bolt groups, N , each containing one or more bolts. See **Figure 2**.

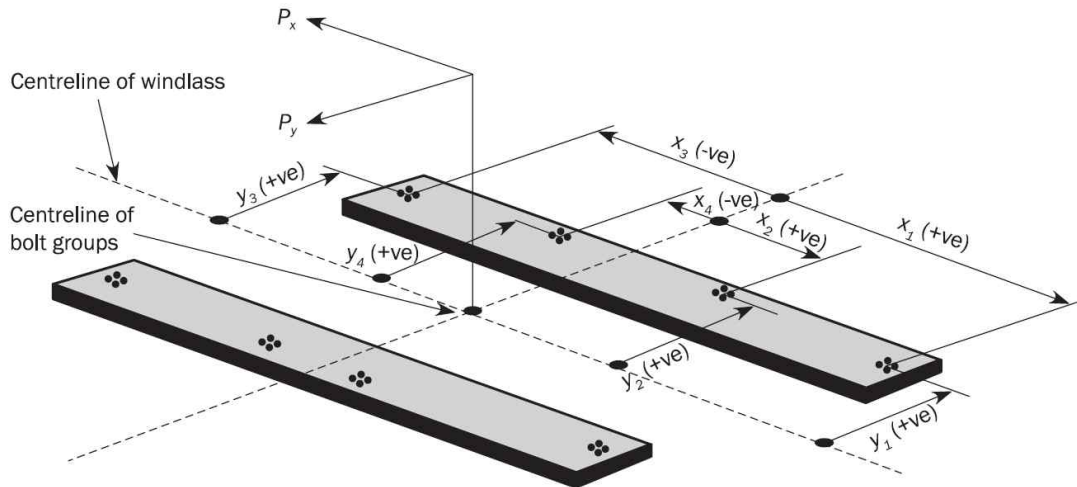


Figure 2 : Bolting arrangements and sign conventions

2.1.8

The axial forces, R_{xi} and R_{yi} , in bolt group (or bolt) i , positive in tension, are given by:

$$R_{xi} = P_x h x_i A_i / I_x$$

$$R_{yi} = P_y h y_i A_i / I_y$$

$$R_i = R_{xi} + R_{yi} - R_{si}$$

where:

P_x : Force acting normal to the shaft axis, in kN.

P_y : Force acting parallel to the shaft axis, either inboard or outboard, whichever gives the greater force in bolt group i , in kN.

h : Shaft centre height above the windlass mounting, in cm, see **Figure 1**.

x_i, y_i : x and y coordinates of bolt group i from the centroid of all N bolt groups, in cm. Positive in the direction opposite to that of the applied force.

A_i : Cross sectional area of all bolts in group i , in cm^2 .

I_x : Inertia in x direction for N bolt groups, in cm^4 , taken as:

$$I_x = \sum A_i x_i^2$$

I_y : Inertia in y direction for N bolt groups, in cm^4 , taken as:

$$I_y = \sum A_i y_i^2$$

R_{si} : Static reaction at bolt group i , due to the weight of windlass, in kN.

2.1.9

The shear forces, F_{xi} and F_{yi} , applied to the bolt group i , and the resultant combined force F_i , are given by:

$$F_{xi} = (P_x - C_1 mg) / N$$

$$F_{yi} = (P_y - C_1 mg) / N$$

$$F_i = \sqrt{F_{xi}^2 + F_{yi}^2}$$

where:

- C_1 : Coefficient of friction, taken equal to 0.5.
 m : Mass of windlass, in t.
 g : Acceleration due to gravity, taken equal to 9.81 m/s².
 N : Number of bolt groups.

2.1.10

The resultant forces from the application of the loads specified in [2.1.5] and [2.1.6] are to be considered in the design of the supporting structure.

2.1.11

Where a separate foundation is provided for the windlass brake, the distribution of resultant forces is to be calculated on the assumption that the brake is applied for load cases (a) and (b) defined in [2.1.5].

2.1.12

The stresses resulting from anchoring design loads induced in the supporting structure are not to be greater than the following permissible values:

- Normal stress, $1.00 R_{eH}$
- Shear stress, $0.6 R_{eH}$

2.1.13

The tensile axial stresses resulting from green sea design loads in the individual bolts in each bolt group i are not to exceed 50 % of the bolt proof strength. The load is to be applied in the direction of the chain cable. Where fitted bolts are designed to support shear forces in one or both directions, the von Mises equivalent stresses are not to exceed 50 % of the bolt proof strength.

2.1.14

The horizontal forces resulting from the green sea design loads, F_{xi} and F_{yi} may be supported by shear chocks. Where pourable resins are incorporated in the holding down arrangements, due account is to be taken in the calculation.

2.1.15

The stresses resulting from green sea design loads induced in the supporting structure are not to be greater than the following permissible values:

- Normal stress, $1.00 R_{eH}$
- Shear stress, $0.6 R_{eH}$

3. Mooring winches [Deleted] (2022)

4. Cranes, derricks, lifting masts and life saving appliances

4.1 General

4.1.1

Supporting structure of life saving appliances and supporting structures of cranes, derricks and lifting masts with a Safe Working Load greater than 30 kN, or a maximum overturning moment to the supporting structure greater than 100 kNm, are to comply with these requirements.

4.1.2

These requirements apply to the connection to the deck and the supporting structure of cranes, derricks and lifting masts. Where the crane, derrick or lifting mast is to be certified by the Society, additional requirements may be applied by the Society.

4.1.3

These requirements do not cover the following items:

- a) Supports of lifting appliances for personnel or passengers, except foundation for life saving appliances.
- b) The structure of the lifting appliance pedestals or post above the area of the deck connection.
- c) Holding down bolts and their arrangement, which are considered part of the lifting appliance.

The term 'lifting appliance' is defined as a crane, derrick or lifting mast.

4.1.4 SWL definition

The Safe Working Load (SWL) is defined as the maximum load which the lifting appliance is certified to lift at any specified outreach.

4.1.5 Self weight

The self weight is the calculated gross self weight of the lifting appliance, including the weight of any lifting gear.

4.1.6 Overturning moment

The overturning moment is the maximum bending moment, calculated at the connection of the lifting appliance to the ship structure, due to the lifting appliance operating at Safe Working Load, taking into account outreach and self weight.

4.1.7

The crane pedestal and derrick mast are as defined in **Figure 3**.

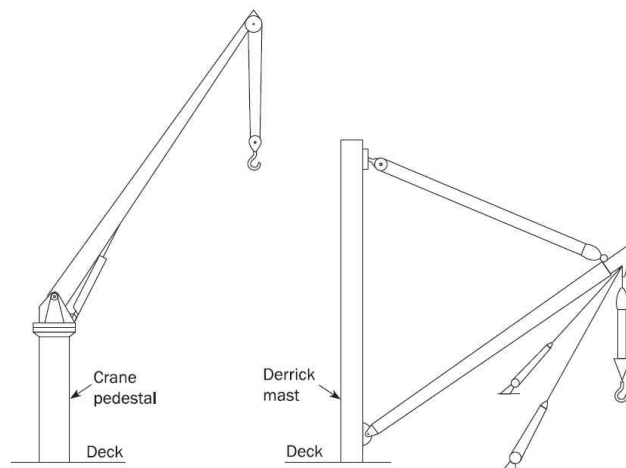


Figure 3 : Crane pedestal and derrick mast

4.1.8

Deck plating and under deck structure is to provide adequate support for derrick masts and crane pedestals against the loads and maximum overturning moment. Where the deck is penetrated, the deck plating is to be suitably strengthened.

4.1.9

Structural continuity of the deck structure is to be maintained.

Under deck members are to be provided to support the crane pedestal and to comply with:

- a) Where the pedestal is directly connected to the deck, without above deck brackets, adequate under deck structure directly in line with the crane pedestal is to be provided. Where the crane pedestal

is attached to the deck without bracketing or where the crane pedestal is not continuous through the deck, welding to the deck of the crane pedestal and its under deck support structure is to be made by suitable full penetration welding. The design of the weld connection is to be adequate for the calculated stress in the welded connection, in accordance with [4.1.15].

- b) Where the pedestal is directly connected to the deck with brackets, under deck support structure is to be fitted to ensure a satisfactory transmission of the load, and to avoid structural hard spots. Above deck brackets may be fitted inside or outside of the pedestal and are to be aligned with deck girders and webs. The design is to avoid stress concentrations caused by an abrupt change of section. Brackets and other direct load carrying structure and under deck support structure are to be welded to the deck by suitable full penetration welding. The design of the connection is to be adequate for the calculated stress, in accordance with [4.1.15].

4.1.10

Deck plating are to be of a material strength compatible with the crane pedestal. Where necessary, a thicker insert plate is to be fitted. In no case are doublers to be used where structures are subject to tension.

4.1.11

The supporting structure is to be dimensioned to ensure that for the load cases specified in [4.1.13] and [4.1.14], the stresses do not exceed those given in [4.1.15].

The capability of the supporting structure to resist buckling failure is to be assured.

4.1.12

These requirements are to be assessed based on gross scantlings.

4.1.13

For lifting appliances which are limited to use in harbour, design load is to be taken equal to 1.3 times SWL added to the lifting appliances self weight.

4.1.14

For life saving appliances, design load is to be taken as 2.2 times SWL.

4.1.15

The stresses induced in the supporting structure are not to exceed the following permissible values:

- Normal stress, $0.67 R_{eH}$
- Shear stress, $0.39 R_{eH}$

5. Bollards and bitts, fairleads, stand rollers, chocks and capstans [Deleted] (2022)

6. Miscellaneous deck fittings

6.1 Support and attachment

6.1.1

The following requirements are to be considered in the design of the support and attachment of miscellaneous fittings which impose relatively small loads on the ship's structure. The arrangement of such details and their approval is considered on a case-by-case basis by the Society.

6.1.2

Support positions are to be arranged so that the attachment to the ship structure is clear of deck openings and stress concentrations, such as the toes of end brackets. Design of supports is to be such that the attachment to the deck minimises the creation of hard points.

Chapter 12

Construction

Section 1 Construction and Fabrication

Section 2 Fabrication by Welding

Section 3 Design of Weld Joints

Section 1 – Construction and Fabrication

1. General

1.1 Workmanship

1.1.1

All workmanship is to be of commercial marine quality and acceptable to the surveyor. Welding is to be in accordance with the requirements of **Ch 12, Sec 2**. Any defect is to be rectified to the satisfaction of the surveyor before the material is covered with paint, cement or any other composition.

1.2 Fabrication standard

1.2.1

Structural fabrication is to be carried out in accordance with IACS Recommendation No. 47 or with a recognised fabrication standard which has been accepted by the Society prior to the commencement of fabrication/construction.

1.2.2

The fabrication standard to be used during fabrication/construction is to be made available to the attending representative of the Society prior to the commencement of the fabrication/construction.

1.2.3

The fabrication standard is to include information, to establish the range and the tolerance limits, for the items specified as follows:

- a) Cut edges: the slope of the cut edge and the roughness of the cut edges.
- b) Flanged stiffeners and brackets and built-up sections: the breadth of flange and depth of web, angle between flange and web, and straightness in plane of flange or at the top of face plate.
- c) Pillars: the straightness between decks and cylindrical structure diameter.
- d) Brackets and flat bar stiffeners: the distortion at the free edge line of tripping brackets and flat bar stiffeners.
- e) Sub-assembly stiffeners: details of sniped end of face plates and webs.
- f) Plate assembly: for flat and curved blocks, the dimensions (length and breadth), distortion and squareness, and the deviation of interior members from the plate.
- g) Cubic assembly: in addition to the criteria for plate assembly, twisting deviation between upper and lower plates, for flat and curved cubic blocks.
- h) Special assembly: the distance between upper and lower gudgeons, distance between aft edge of propeller boss and aft peak bulkhead, twist of stern frame assembly, breadth and length of top plate of main engine bed. Where boring out of the propeller boss and stern frame, skeg or solepiece are to be carried out after completing the major part of the welding of the aft part of the ship. Where block boring is used, the shaft alignment is to be carried out using a method and sequence submitted to and recognised by the Society. The fit-up and alignment of the rudder, pintles and axles are to be carried out after completing the major parts of the welding of the aft part of the ship. The contacts between the conical surfaces of pintles, rudder stocks and rudder axles are to be checked before the final mounting.
- i) Butt joints in plating: alignment of butt joint in plating.
- j) Cruciform joints: alignment measured on the median line and measured on the heel line of cruciform joints.
- k) Alignment of interior members: alignments of flange of T profiles, alignment of panel stiffeners,

gaps in T joints and lap joints, and distance between scallop and cut-outs for continuous stiffeners in assembly and in erection joints.

- l) Keel and bottom sighting: deflections for whole length of the ship, and for the distance between two adjacent bulkheads, cocking-up of fore body and of aft body, and rise of floor amidships.
- m) Dimensions: length between perpendiculars, moulded breadth and depth at midship, and length between aft edge of propeller boss and main engine.
- n) Fairness of plating between frames: deflections between frames of shell, tank top, bulkhead, upper deck, superstructure deck, deckhouse deck and wall plating.
- o) Fairness of plating in way of frames: deflections of shell, tank top, bulkhead, strength deck plating and other structures measured in way of frames.

2. Cut-Outs, Plate Edges

2.1 General

2.1.1

The free edges (cut surfaces) of cut-outs, liquid domes, etc are to be properly prepared and are to be free from notches. As a general rule, cutting drag lines, etc are to be smoothly ground. All edges are to be broken or in cases of highly stressed parts, be rounded off.

Free edges on flame or machine cut plates or flanges are not to be sharp cornered and are to be finished off as specified above. This also applies to cutting drag lines, etc, in particular to the upper edge of sheer strake and analogously to weld joints, changes in sectional areas or similar discontinuities.

2.1.2

Corners in liquid dome are to be machine cut.

3. Cold Forming

3.1 Special structural members

3.1.1

For highly stressed components of the hull girder where notch toughness is of particular concern (e.g. items required to be Class III in **Ch 3, Sec 1, Table 3**, such as radius gunwales (bent sheer plates) and bilge strakes), the inside bending radius, in cold formed plating, is not to be less than 10 times the as-built plate thickness for carbon-manganese steels (see **Ch 3, Sec 1**). The allowable inside bending radius may be reduced provided the requirements stated in **[3.2]** are complied with.

3.2 Low bending radius

3.2.1

The inside bending radius, in cold formed plating, is not to be less than 4.5 times the as-built plate thickness for carbon-manganese steels (see **Ch 3, Sec 1**). The allowable inside bending radius may be reduced provided the requirements stated in **[3.2.2]** are complied with.

3.2.2

When the inside bending radius is reduced below 10 times or 4.5 times the as-built plate thickness according to **[3.1]** and **[3.2.1]**, supporting data is to be provided. The bending radius is in no case to be less than 2 times the as-built plate thickness. As a minimum, the following additional requirements are to be complied with:

- a) For all bent plates:

- 100% visual inspection of the bent area is to be carried out.
 - Random checks by magnetic particle testing are to be carried out.
- b) In addition to a), for bent plates at boundaries to tanks:
- The steel is to be of Grade D/DH or higher.
 - The material is impact tested in the strain-aged condition and satisfies the requirements stated herein. The deformation is to be equal to the maximum deformation to be applied during production, calculated by the formula $t_{as-built} / (2r_{bdg} + t_{as-built})$, where $t_{as-built}$ is the as-built thickness of the plate material and r_{bdg} is the bending radius. One sample is to be plastically strained at the calculated deformation or 5%, whichever is greater and then artificially aged at 250°C for one hour then subject to Charpy V-notch testing. The average impact energy after strain ageing is to meet the impact requirements specified for the grade of steel used.

4. Hot Forming

4.1 Temperature requirements

4.1.1

Steel is not to be formed between the upper and lower critical temperatures. If the forming temperature exceeds 650°C for as-rolled, controlled rolled, thermo-mechanical controlled rolled or normalised steels, or is not at least 28°C lower than the tempering temperature for quenched and tempered steels, mechanical tests are to be made to assure that these temperatures have not adversely affected both the tensile and impact properties of the steel. Where curve forming or fairing, by line or spot heating, is carried out in accordance with [4.2.1] these mechanical tests are not required.

4.1.2

After further heating, other than specified in [4.1.1], of Thermo-Mechanically Controlled Steels (TMCP plates) for forming and stress relieving, it is to be demonstrated that the mechanical properties meet the requirements specified by a procedure test using representative material.

4.2 Line or spot heating

4.2.1

Curve forming or fairing, by linear or spot heating, is to be carried out using approved procedures in order to ensure that the properties of the material are not adversely affected. Heating temperature on the surface is to be controlled so as not to exceed the maximum allowable limit applicable to the plate grade.

5. Assembly and Alignment

5.1 General

5.1.1

The use of excessive force is to be avoided during the assembly of individual structural components or during the erection of sections. Major distortions of individual structural components are to be corrected before further assembly.

After completion of welding, straightening and aligning are to be carried out in such a manner that the material properties are not influenced significantly. In case of doubt, the Society may require a procedure test or a working test to be carried out.

5.1.2

Structural members are to be aligned following the provisions of **IACS Recommendation No. 47, Table 7** or according to the requirements of a recognised fabrication standard that has been accepted by the Society. In the case of critical components, control drillings are to be made where necessary, which are then to be welded up again on completion.

Section 2 – Fabrication by Welding

1. General

1.1 Application

1.1.1

The requirements of this section apply to the preparation, execution and inspection of welded connections in hull structures.

1.2 Limits of application to welding procedures

1.2.1 weld type, size and materials

The requirements of this section for weld type, size and materials are based on the following considerations:

- Joint type.
- Criticality of the joint.
- Magnitude, type and direction of the stresses in the joint.
- Material properties of the parent and weld material.
- Weld gap size.

1.2.2 Preparation, execution and inspection

The requirements of this section are to be complemented by the general requirements relevant to fabrication by welding and qualification of welding procedures given by the Society when deemed appropriate by the Society.

2. Welding Procedures, Welding Consumables and Welders

2.1 General

2.1.1

All welding is to be carried out by approved welders, in accordance with approved welding procedures, using approved welding consumables, in compliance with **Pt 2**.

Personnel manning automatic welding machines and equipment are to be competent, sufficiently trained and certified by the Society as specified in **Pt 2**.

3. Weld Joints

3.1 General

3.1.1

Welding of connections is to be executed according to the approved plans.

3.1.2

The quality standard adopted by the shipyard is to be submitted to the Society and it applies to all welded connections unless otherwise specified on a case-by-case basis.

3.1.3

Consideration is to be given to the assembly sequence and the effect of the overall shrinkage of plate panels, assemblies, etc, resulting from the welding processes employed. Welding is to proceed systematically, with each welded joint being completed in correct sequence, without undue interruption. When practicable, welding is to commence at the centre of a joint and proceed outwards, or at the centre of assembly and progress outwards towards the perimeter so that each part has freedom to move in one or more directions.

3.1.4

Completed welded joints are to be to the satisfaction of the attending surveyor. Edge preparations and root gaps are to be in accordance with the approved welding procedure. The gap between the members being joined should not exceed the maximum values given in IACS Recommendation No. 47 or as specified in recognised fabrication standard approved by the Society. Where the gap between members being joined exceeds the specified values, corrective measures are to be taken in accordance with an approved welding procedure specification.

3.1.5

Where small fillets are used to attach heavy plates or sections, welding is to be based on approved welding procedure specifications. Special precautions, such as the use of preheating, low-hydrogen electrodes or low hydrogen welding processes, are accepted.

3.1.6

When heavy structural members are attached to relatively light plating, the weld size and sequence may require modification.

3.1.7

Where quality control systems are in place which ensure that the grade of welding consumable used is higher than the minimum required for the particular strength steel being welded, the welding consumables that are used may have a weld deposit material yield strength that is greater than the minimum specified in **Ch 12, Sec 3, [2.5.2]** and the size of the weld may be determined based on the yield strength of the higher grade welding consumable.

3.1.8

In general, butt joints are to be welded from both sides. Before welding is carried out on the second side, unsound metal is to be removed at the root by a suitable method. Butt welding from one side will only be permitted for specific applications with an approved welding procedure specification.

3.1.9 Arrangements at junctions of welds

Welds are to be made flush in way of the faying surface where stiffening members, attached by continuous fillet welds, cross the completely finished butt or seam welds. Similarly, butt welds in webs of stiffening members are to be completed and made flush with the stiffening member before the fillet weld is made. The ends of the flush portion are to run out smoothly without notches or sudden changes of section. Where these conditions can not be complied with, a scallop is to be arranged in the web of the stiffening member. Scallops are to be of the size, and in a position, that a satisfactory return weld can be made.

3.1.10 Leak stoppers

Where structural members pass through the boundary of a tank, leakage into adjacent space could be hazardous or undesirable, and full penetration welding is to be adopted for the members for at least 150 mm on each side of the boundary. Alternatively, a small scallop of suitable shape may be cut in a member close to the boundary outside of the compartment, and carefully welded all around.

4. Non-Destructive Examination(NDE)

4.1 General

4.1.1

The NDE plan to be submitted for approval has to contain the necessary data relevant to the locations and number of examinations, welding procedures applied, method of NDE applied, etc. Visual inspection of finished welds is to be carried out by the shipyard to ensure that all welding has been satisfactory completed. In addition to visual inspection, welded joints are to be examined using any one or a combination of ultrasonic, radiographic, magnetic particle, eddy current, dye penetrant or other acceptable methods appropriate to the configuration of the weld. Above inspections are to be carried out as per the requirements of the Society.

4.1.2

NDE of welding is to be carried out at the positions indicated by the NDE plan in order to ensure that the welds are free from cracks and unacceptable internal defects with regards to the requirements of the Society. NDE is to be carried out by qualified personnel certified by recognised bodies in compliance with recognised standards.

Section 3 – Design of Weld Joints

Symbols

- A_{weld} : Effective fillet weld area, in cm².
 f : Root face, in mm.
 f_{weld} : Weld factor.
 f_{yd} : Correction factor taking into account the yield strength of the weld deposit as defined in [2.5.2].
 l_{dep} : Total length of deposit of weld metal, in mm.
 l_{leg} : Leg length of continuous, lapped or intermittent fillet weld, in mm.
 l_{weld} : Length of the welded connection in mm.
 $R_{eH-weld}$: Minimum yield stress of weld deposit, in N/mm².
 $t_{as-built}$: As-built thickness of the member being joined, in mm.
 t_{gap} : Allowance for fillet weld gap, is to be taken equal to 2.0 mm.
 t_{throat} : Throat thickness of fillet weld in mm, as defined in [2.5.3].

1. General

1.1 Application

1.1.1

The requirements of this section apply to the design of welded connections in hull structures and are based on the considerations mentioned in **Ch 12, Sec 2, [1.2.1]**.

1.1.2

Plans and/or specifications showing weld sizes and weld details are to be submitted for approval.

1.1.3

The leg length of welds is to comply with the minimum leg length given in **Table 1**.

1.2 Alternatives

1.2.1

The requirements given in this section are considered minimum for electric-arc welding in hull construction, but alternative methods, arrangements and details will be specially considered for approval.

2. Tee or Cross Joint

2.1 Application

2.1.1

The connection of primary supporting members, stiffener webs to plating as well as the plating abutting on another plating, are to be made by fillet or penetration welding, as shown on **Figure 1**.

$t_{as-built}$: As-built thickness of the member being attached, mm.

θ : Connecting angle, in deg.

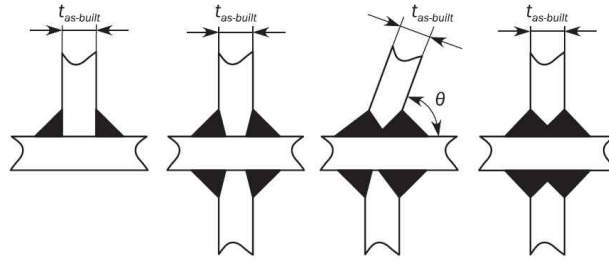


Figure 1 : Tee or cross joints

2.1.2

Where the connection is highly stressed or otherwise considered critical, a partial or full penetration weld is to be achieved by bevelling the edge of the abutting plate.

2.2 Continuous fillet welds

2.2.1

Continuous welding is to be adopted in the following locations:

- a) Connection of the web to the face plate for all members.
- b) All fillet welds where higher strength steel is used.
- c) Boundaries of weathertight decks and erections, including liquid dome, companionways and other openings.
- d) Boundaries of tanks and watertight compartments.
- e) All structures inside tanks and cargo holds.
- f) Stiffeners and primary supporting members at tank boundaries.
- g) All structures in the aft peak and stiffeners and primary supporting members of the aft peak bulkhead.
- h) All structures in the fore peak.
- i) Welding in way of all end connections of stiffeners and primary supporting members, including end brackets, lugs, scallops, and at orthogonal connections with other members.
- j) All lap welds in the main hull.
- k) Primary supporting members and stiffener members to bottom shell in the 0.3 L forward region.
- l) Flat bar longitudinals to plating.
- m) The attachment of minor fittings to higher strength steel plating and other connections or attachments.
- n) Pillars to heads and heels.
- o) Liquid dome stay webs to deck plating.

2.3 Intermittent fillet welds

2.3.1

Where continuous welding is not required, intermittent welding may be applied.

2.3.2

Where beams, stiffeners, frames, etc. are intermittently welded and pass through slotted girders, shelves or stringers, there is to be a pair of matched intermittent welds on each side of every intersection. In addition, the beams, stiffeners and frames are to be efficiently attached to the girders, shelves and stringers.

Where intermittent welding or one side continuous welding is permitted, double continuous welds are to be applied for one-tenth of their shear span at each end, in accordance with [2.5.2] and [2.5.3].

2.3.3 Deckhouses

One side continuous fillet welding is acceptable in the dry spaces of deckhouses.

2.3.4 Size for one side continuous weld

The size for one side continuous weld is to be of fillet required by [2.5.2] for intermittent welding, where f_3 factor is to be taken as 2.0.

2.4 Partial or full penetration welds

2.4.1 High stress area definition

For the application of this section, high stress area means an area where fine mesh finite element analysis is to be carried out and the fine mesh yield utilisation factor in elements adjacent to the weld is more than 90% of the fine mesh permissible utilisation factor, as defined in Ch 7, Sec 3, [5.2].

2.4.2 Partial or full penetration welding

In areas with high tensile stresses or areas considered critical, full or partial penetration welds are to be used. In case of full penetration welding, the root face is to be removed, e.g. by gouging before welding of the back side. For partial penetration welds the root face, f , is, to be taken between 3 mm and $t_{as-built}/3$.

The groove angle α made to ensure welding bead penetrating up to the root of the groove is usually from 40° to 60°. The welding bead of the full/partial penetration welds is to cover root of the groove.

Examples of partial penetration welds are given on Figure 2.

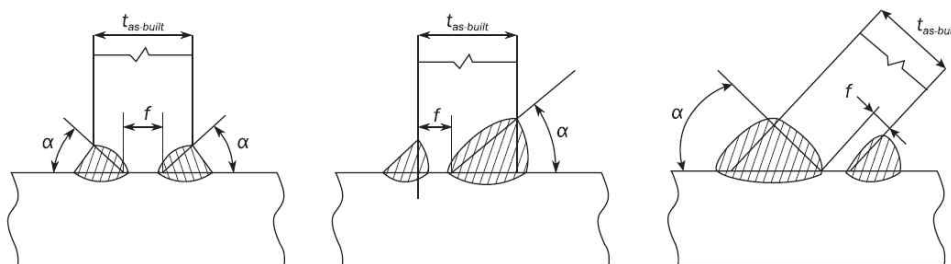


Figure 2 : Partial penetration welds

2.4.3 One side partial penetration weld

For partial penetration welds with one side bevelling the fillet weld at the opposite side of the bevel is to satisfy the requirements given in [2.5.2].

2.4.4 Extent of full or partial penetration welding

The extent of full or partial penetration welding in each particular location listed in [2.4.5] and [2.4.6] is to be approved by the Society. However, the minimum extent of full/partial penetration welding from the reference point (i.e. intersection point of structural members, end of bracket toe, etc.) is not to be taken less than 300 mm, unless otherwise specifically stated.

2.4.5 Locations recommended for full penetration welding

Full penetration welds are recommended in the following locations and elsewhere as required by the Rules :

- a) Floors to hopper/inner bottom plating in way of radiused hopper knuckle.
- b) Edge reinforcement or pipe penetration both to strength deck, sheer strake and bottom plating within 0.6L amidships, when the dimensions of the opening exceeds 300 mm.
- c) Abutting plate panels with as-built thickness less than or equal to 12 mm, forming outer shell boundaries below the scantling draught, including but not limited to: sea chests, rudder trunks, and portions of transom. For as-built thickness greater than 12 mm, partial penetration in accordance with [2.4.2].
- d) Crane pedestals and associated bracketing and support structure.
- e) Rudder horns and shaft brackets to shell structure.
- f) Rudder side plating to rudder stock connection area.

2.4.6 Locations recommended for partial penetration welding

Partial penetration welding as defined in [2.4.2], is recommended in the following locations.

- a) Connection of hopper sloping plate to longitudinal bulkhead (inner hull).
- b) Connection of longitudinal bulkhead to inner deck plating.
- c) Longitudinal/transverse bulkhead primary supporting member end connections to the double bottom.
- d) Structural elements in double bottom below bulkhead primary supporting members.
- e) Lower hopper plate to inner bottom.
- f) Side stringers on intersection of longitudinal and transverse bulkheads.
- g) Deck girders on inner deck in way of transverse bulkheads.

2.4.7 Fine mesh finite element analysis

In high stress area, at least partial penetration welds as defined in [2.4.2] are to be used. The minimum extent of full or partial penetration welding in that case is to be the greater of the following:

- a) 150 mm in either direction from the element with the highest yield utilisation factor.
- b) The extent covering all elements that exceed the above mentioned yield utilisation factor criteria.

2.5 Weld size criteria

2.5.1

The required weld sizes are to be rounded to the nearest half millimetre.

2.5.2

The leg length, $l_{\leq g}$ in mm, of continuous, lapped or intermittent fillet welds is not to be taken less than the greater of the following values:

$$l_{\leq g} = f_1 f_2 t_w$$

$$l_{\leq g} = f_{yd} f_{weld} f_2 f_3 t_w + t_{gap}$$

$$l_{\leq g} \text{ as given in Table 1.}$$

where:

t_w = effective thickness of abutting plate in mm

$t_w = t_{as-built}$ for $t_{as-built} \leq 25$ mm

$t_w = 0.5(25 + t_{as-built})$ for $t_{as-built} > 25$ mm

$t_w = 25 + 0.25(t_{as-built} - 25)$ for longitudinals of flat-bar type with $t_{as-built} > 25$ mm

f_1 : Coefficient depending on welding type:

- $f_1 = 0.30$ for double continuous welding.
- $f_1 = 0.38$ for intermittent welding.

f_2 : Coefficient depending on the edge preparation:

- $f_2 = 1.0$ for welds without bevelling.
- $f_2 = 0.7$ for welds with one/both side bevelling and $f = t_{as-built}/3$.

f_{yd} : Coefficient not to be taken less than the following:

- $f_{yd} = \left(\frac{235}{R_{eH-weld}}\right)^{0.75} k^{-0.5}$
- $f_{yd} = 0.71$

$R_{eH-weld}$: Specified minimum yield stress for the weld deposit in N/mm^2 , not to be less than:

- $R_{eH-weld} = 305 N/mm^2$ for welding of normal strength steel with $R_{eH} = 235 N/mm^2$.
- $R_{eH-weld} = 375 N/mm^2$ for welding of higher strength steels with R_{eH} from 265 to 355 N/mm^2 .
- $R_{eH-weld} = 400 N/mm^2$ for welding of higher strength steel with $R_{eH} = 390 N/mm^2$.

f_{weld} : Weld factor dependent on the type of the structural member, see **Table 2** and **Table 3**.

k : Material factor of the abutting member.

f_3 : Correction factor for the type of weld:

- $f_3 = 1.0$ for double continuous weld.
- $f_3 = s_{ctr}/l_{weld}$ for intermittent or chain welding.

s_{ctr} : Distance between successive fillet welds, in mm.

2.5.3

The throat size t_{throat} , in mm, as shown in **Figure 3**, is not to be less than:

$$t_{throat} = \frac{l_{\leq g}}{\sqrt{2}}$$

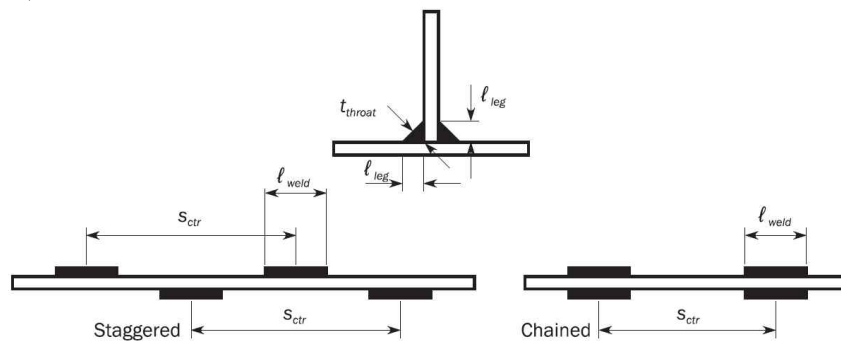


Figure 3 : Weld scantlings definitions

Table 1 : Minimum leg size

| Area | Minimum length, in mm |
|-------------------|-----------------------|
| Cargo hold region | 4.5 |
| Other areas | 4.0 |

Table 2 : Weld factors for different structural members (2023)

| Hull area | Connection | | f_{weld} | |
|---------------------------|--|---|--|------|
| | of | to | | |
| General | Watertight plate | Boundary plating | 0.48 | |
| | Stiffeners | | | |
| | Ordinary stiffener and collar plates | Deep tank bulkheads | | 0.24 |
| | | Web of primary supporting members and collar plates | | 0.38 |
| | Web of stiffener | Plating (except deep tank bulkhead) | | 0.20 |
| | | Face plates of built-up stiffeners | At ends (15% of span) | 0.38 |
| | | | Elsewhere | 0.20 |
| | Primary Supporting members | | | |
| | Web plate | Shell plating, deck plating, inner bottom plating, bulkhead | Within end 15% of shear span and extending to end of member | 0.48 |
| | | | Elsewhere | 0.38 |
| | | Face plate | In tanks/holds Members located within 0.125L from fore peak | 0.38 |
| | | | Elsewhere if cross section area of face plate exceeds 65 cm ² | 0.38 |
| | | | Elsewhere | 0.24 |
| | End connection | | In way of boundaries of ballast and cargo tanks including brackets | 0.48 |
| | | | Elsewhere | 0.38 |
| Aft peak | Internal members | Boundaries and each other: below waterline | 0.38 | |
| | | Above waterline | 0.20 | |
| Fore peak | Internal members | Boundaries and each other | 0.20 | |
| Machinery space | Engine foundation girders | Top plate and primary hull structure | PPW ⁽²⁾ | |
| Superstructure, Deckhouse | External bulkhead (1 st and 2 nd tier erections) | Deck, external bulkhead | 0.48 | |
| | External bulkheads and internal bulkheads | Elsewhere | 0.2 | |

(1) $f_{weld} = 0.43$ for hatch coaming other than in cargo holds.
(2) PPW: Partial penetration welding in accordance with [2.4.2].

2.5.4

Where the effective thickness of the abutting longitudinal stiffener web, t_w is greater than 15 mm and exceeds the thickness of the attached plating, the welding is to be double continuous and the leg length of the weld is not to be less than the largest of the following:

- $0.30 t_{as-built}$, where $t_{as-built}$ is the as-built thickness of the attached plating without being taken greater than 30 mm.
- $0.27 t_{as-built} + 1.0$, where $t_{as-built}$ is the as-built thickness of the abutting member. The leg size resulting of this formula needs not to be taken greater than 8.0 mm.
- Leg length given in the **Table 1**.

Table 3 : Weld factors for miscellaneous fittings and equipment

| Item | Connection to | f_{weld} |
|---|---------------------------------------|------------|
| Mast, derrick post, crane pedestal, etc. | Deck / Underdeck reinforced structure | 0.43 |
| Deck machinery seat | Deck | 0.24 |
| Mooring equipment seat | Deck | 0.43 |
| Ring for access hole type cover | Anywhere | 0.43 |
| Stiffening of side shell doors and weathertight doors | Anywhere | 0.24 |
| Frames of shell and weathertight doors | Anywhere | 0.43 |
| Coaming of ventilator and air pipe | Deck | 0.43 |
| Ventilators, etc., fittings | Anywhere | 0.24 |
| Ventilators, air pipes, etc., coaming to deck | Deck | 0.43 |
| Scupper and discharge | Deck | 0.55 |
| Bulwark stay | Deck | 0.24 |
| Bulwark plating | Deck | 0.43 |
| Guard rail, stanchion | Deck | 0.43 |

2.5.5

Where the minimum weld size is determined by the requirements of second formula shown in [2.5.2], the weld connections to shell, decks or bulkheads are to take account of the material lost in the cut out, where stiffeners pass through the member. In cases where the width of the cut-out exceeds 15 % of the stiffener spacing, the size of weld leg length is to be multiplied by:

$$\frac{0.85s}{l_w}$$

where:

s : Stiffener spacing in mm, as shown in Figure 4.

l_w : Length of web plating between notches, in mm, as shown in Figure 4.

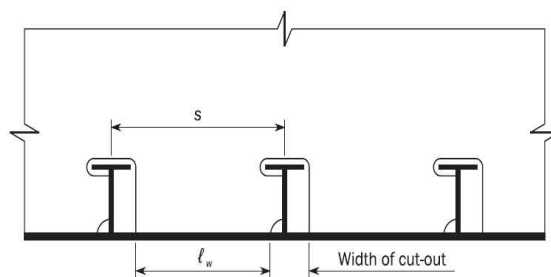


Figure 4 : Effective material in web cut-outs for stiffeners

2.5.6 Shear area of primary supporting member end connections

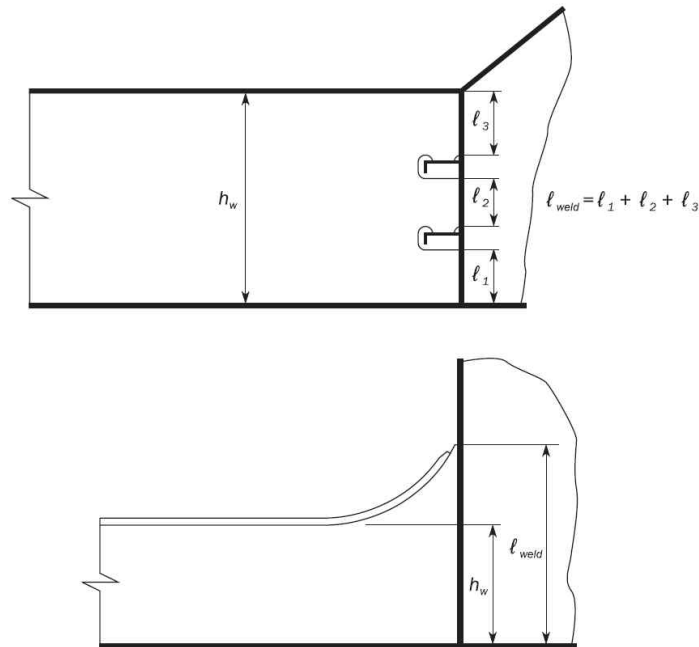
Welding of the end connections, inclusive 10% of shear span, of primary supporting members is to be such that the weld area is to be equivalent to the gross cross sectional area of the member. The weld leg length in mm, l_{leg} , is to be taken as:

$$l_{leg} = 1.41 f_{yd} \frac{h_w t_{gr-req}}{l_{dep}}$$

where:

- h_w : Web height of primary supporting members, in mm.
- t_{gr-req} : Required gross thickness of the web in way of the end connection, including 10% of shear span, based on the highest average usage factor for yield from cargo hold FE analysis or the shear area requirement for PSM outside cargo hold region, in mm.
- l_{weld} : Length of the welded connection in mm, as shown in **Figure 5**.
- l_{dep} : Total length of deposit of weld metal, in mm, see **Figure 5** taken as:
- $$l_{dep} = 2l_{weld}$$

The size of weld is not to be less than the value calculated in accordance with [2.5.2].



Note 1: The length l_{weld} is the length of the welded connection. The total length of the weld deposit l_{dep} if welded with double continuous fillet welds is twice the length of the welded connection l_{weld} .

Figure 5 : Shear area of primary supporting member

2.5.7 Longitudinals

Welding of longitudinals to plating is to be doubled continuous at the ends of the longitudinals at the extent of 15% of shear span as defined in **Ch 3, Sec 7, [1.1.3]**.

In way of primary supporting members, the length of the double continuous weld is to be equal to the depth of the longitudinal or the end bracket, whichever is greater.

2.5.8 Deck longitudinals

For deck longitudinals, a matched pair of welds is required at the intersection of longitudinals with primary supporting members.

2.5.9 Longitudinal continuity provided by brackets

Where a longitudinal strength member is to cut at a primary supporting structure and the continuity of strength is provided by brackets, the weld area A_{weld} is not to be less than the gross cross sectional area of the member. The weld area, A_{weld} in cm^2 , is to be determined by the following formula:

$$A_{weld} = \frac{f_{yd} t_{throat} l_{dep}}{100}$$

2.5.10 Unbracketed stiffeners

Where intermittent welding is permitted, unbracketed stiffeners of shell, watertight and deckhouse fronts are to have double continuous welds for one-tenth of their length at each end. Unbracketed stiffeners of non-tight structural bulkheads, deckhouse sides and aft ends are to have a pair of matched intermittent welds at each end.

2.5.11 Reduced weld size

Where an approved automatic deep penetration procedure is used and quality control facilitates are working to a gap between members of 1 mm and less, the weld factors given in **Table 2** may be reduced by 15% but not more than fillet weld leg size of 1.5 mm. Reductions of up to 20%, but not more than the fillet weld leg size of 1.5 mm, will be accepted provided that the shipyard is able to consistently meet the following requirements:

- The welding is performed to a suitable process selection confirmed by welding procedure tests covering both minimum and maximum root gaps.
- The penetration at the root is at least the same amount as the reduction into the members being attached.
- Demonstrate that an established quality control system is in place.

2.5.12 Reduced weld size justification

Where any of the methods for reduction of the weld size are adopted, the specific requirements giving justification for the reduction are to be indicated on the drawings. The drawings are to document the weld design and dimensioning requirements for the reduced weld length and the required weld leg length given by [2.5.2] without the leg length reduction. Also, notes are to be added to the drawings to describe the difference in the two leg lengths and the requirements for their application.

3. Butt Joint

3.1 General

3.1.1

Joints in the plate components of stiffened panel structures are generally to be joined by butt welds, see **Figure 6**.

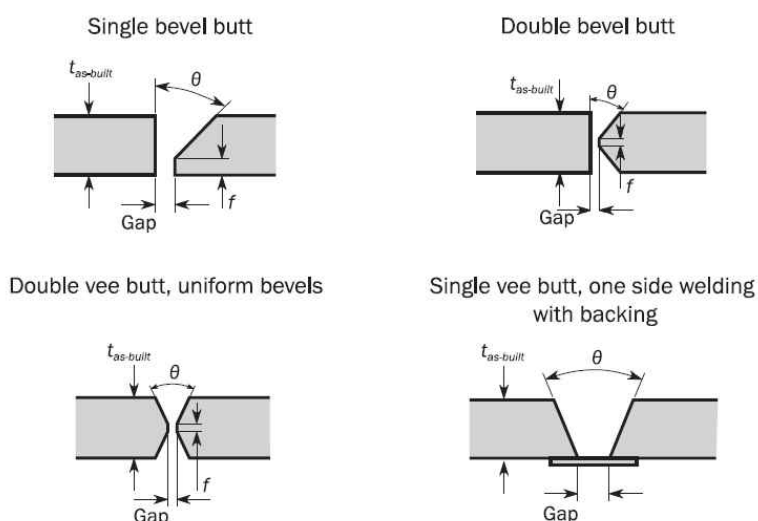


Figure 6 : Typical butt welds

3.2 Thickness difference

3.2.1 Taper

In the case of welding of plates with difference in as-built thickness greater than 4 mm, the thicker plate is normally to be tapered. The taper has to have a length of not less than 3 times the difference in as-built thickness.

4. Other Types of Joints

4.1 Lapped joints

4.1.1 Areas

Lap joint welds may be adopted in very specific cases subject to the approval of the Society. Lap joint welds may be adopted for the following:

- a) Peripheral connections of doublers.
- b) Internal structural elements subject to very low stresses.

4.1.2 Overlap width

Where overlaps are adopted, the width of the overlap is not to be less than three times, but not greater than four times the as-built thickness of the plates being joined, see **Figure 7**. Where the as-built thickness of the thinner plate being joined has a thickness of 25 mm or more, the overlap will be subject to special consideration.

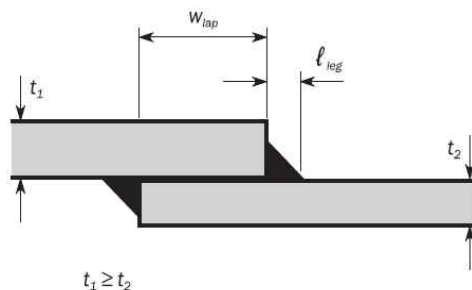


Figure 7 : Fillet weld in lapped joint

4.1.3 Overlaps for lugs

The overlaps for lugs and collars in way of cut-outs for the passage of stiffeners through webs and bulkhead plating are not to be less than three times the thickness of the lug but not be greater than 50 mm.

4.1.4 Lapped end connections

Lapped end connections are to have continuous welds on each edge with leg length, $l_{\leq g}$ in mm, as shown on **Figure 7** such that the sum of the two leg lengths is not less than 1.5 times the as-built thickness of the thinner plate.

4.1.5 Overlapped seams

Overlapped seams are to have continuous welds on both edges, of the sizes required by **[2.5.2]** for the boundaries of tank/hold or watertight bulkheads. Seams for plates with as-built thickness of 12.5 mm or less, which are clear of tanks/holds, may have one edge with intermittent welds in accordance with **[2.5.2]** for watertight bulkhead boundaries.

4.2 Slot welds

4.2.1

Slot welds may be adopted in very specific cases subject to the approval of the Society. However, slot welds of doublers on the outer shell and strength deck are not permitted within 0.6L amidships.

4.2.2

Slots are to be well-rounded and have a minimum slot length, l_{slot} of 75 mm and width, w_{slot} of twice the as-built plate thickness. Where used in the body of doublers and similar locations, such welds are in general to be spaced a distance, s_{slot} of $2l_{slot}$ to $3l_{slot}$ but not greater than 250 mm, see **Figure 8**. The size of the fillet welds is to be determined from second formula shown in [2.5.2] using $t_{as-built}$ of the thinner plate and a weld factor of 0.48.

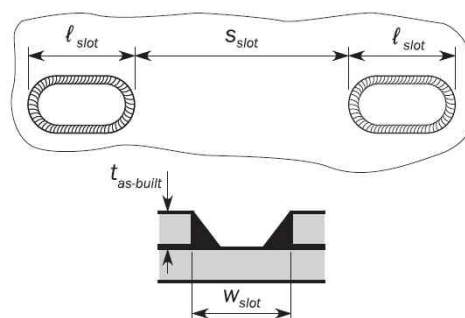


Figure 8 : Slot welds

4.2.3 Closing plates

For the connection of plating to internal webs, where access for welding is not practicable, the closing plating may be attached by slot welds to face plates fitted to the webs.

4.2.4

Slots are to be well-rounded and have a minimum slot length, l_{slot} of 90 mm and a minimum width, w_{slot} of twice the as-built plate thickness. Slots cut in plating are to have smooth, clean and square edges and are in general to be spaced a distance, s_{slot} not greater than 140 mm. Slots are not to be filled with welding.

4.3 Stud and lifting lug welds

4.3.1

Where permanent or temporary studs or lifting lugs are to be attached by welding to main structural parts in areas subject to high stress, the proposed locations are to be submitted for approval.

5. Connection Details

5.1 Bilge keels

5.1.1

The ground bar is to be connected to the shell with a continuous fillet weld, and the bilge keel to the ground bar with a continuous fillet weld in accordance with **Table 4**.

Table 4 : Connections of bilge keels

| Structural items being joined | Leg length of weld, in mm | |
|-------------------------------|---------------------------|---------------------|
| | At ends ⁽¹⁾ | Elsewhere |
| Ground bar to the shell | $0.62t_{1as-built}$ | $0.48t_{1as-built}$ |
| Bilge keel web to ground bar | $0.48t_{2as-built}$ | $0.30t_{2as-built}$ |

$t_{1as-built}$: As-built thickness of ground bar, in mm.
 $t_{2as-built}$: As-built thickness of web of bilge keel, in mm.
 (1) : Zone "B" in Figure 17 and Figure 18 in Ch 3 Sec 6 for definition of "ends"

5.1.2

Butt welds, in the bilge keel and ground bar, are to be well clear of each other and of butts in the shell plating as shown in Figure 9. In general, shell butts are to be flush in way of the ground bar and ground bar butts are to be flush in way of the bilge keel. Direct connection between ground bar butt welds and shell plating is not permitted. This may be obtained by use of removable backing.

5.1.3

The ground bar is to be continuously fillet welded with a leg length as given in Table 4. At the ends of the ground bar, the leg length is to be increased as given in Table 4, without exceeding the as-built thickness of the ground bar as shown in Figure 9. The welded transition at the ends of the ground bar to the plating connection should be formed with the weld flank angle of 45° or less.

5.1.4

In general, scallops and cut-outs are not to be used. Crack arresting holes are to be drilled in the bilge keel butt welds as close as practicable to the ground bar. The diameter of the hole is to be greater than the width of the butt weld and is to be a minimum of 25 mm. Where the butt weld has been subject to non-destructive examination, the crack arresting hole may be omitted.

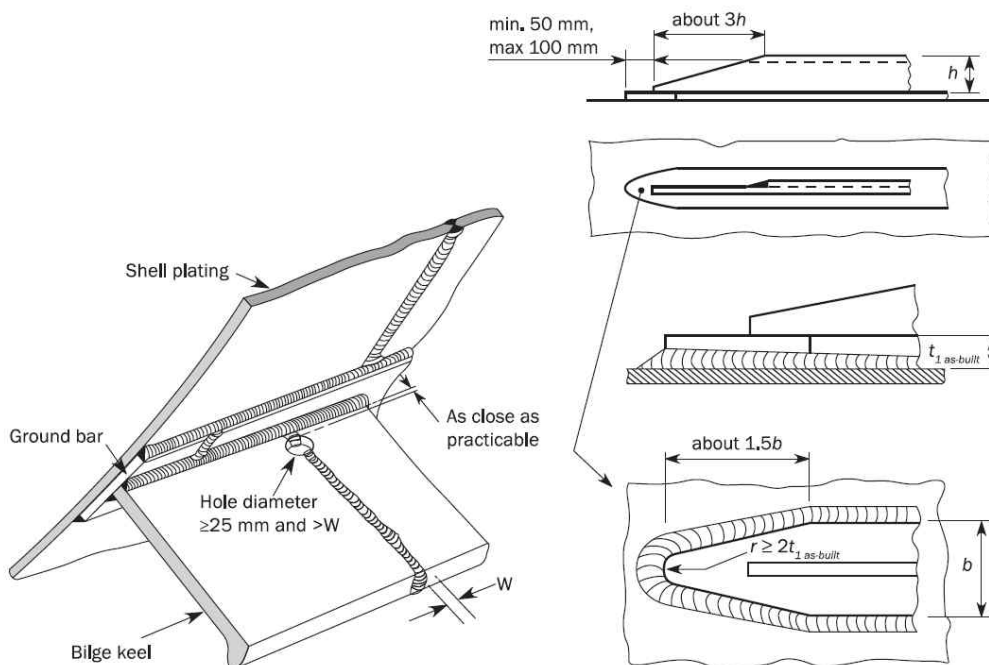


Figure 9 : Bilge keel

5.2 End connections of pillars

5.2.1

The end connections of pillars are to have an effective fillet weld area, in cm^2 , (weld throat multiplied by weld length) not less than:

$$A_{weld} = f_3 \left(\frac{235}{R_{eH-weld}} \right)^{0.75} F$$

where:

F : Design load, for the structure under consideration, in kN.

f_3 : Coefficient equal to:

- $f_3 = 0.05$ when pillar is in compression only.
- $f_3 = 0.14$ when pillar is in tension.

5.3 Abutting plates with small angles

5.3.1

Where the angle θ between the abutting plate and the connected plate is less than 75° as shown in **Figure 10**, the size of fillet welds l_θ , in mm, for the side of larger angle is to be increased in accordance with:

$$l_\theta = \frac{l_{leg}}{\sqrt{2} \sin \frac{\theta}{2}}$$

where:

l_{leg} : Leg length of fillet weld, in mm, as defined in [2.5.2].

θ : Connecting angle, in deg, as shown in **Figure 10**.

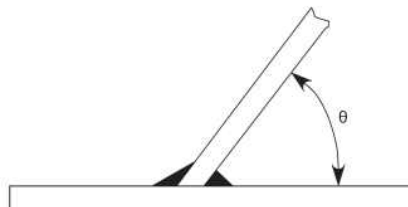


Figure 10 : Connecting angle

5.3.2

Connections of main strength members where θ is less than 45° , see **Figure 10**, may be applied only in dry spaces and voids.

Chapter 13

Ship in Operation – Renewal Criteria

Section 1 Principles and Survey Requirements

Section 2 Acceptance Criteria

Section 1 – Principles and Survey Requirements

1. Principles

1.1 Application

1.1.1

The purpose of this chapter is to provide criteria for the allowable thickness diminution of ships' hull structures.

1.1.2

The criteria apply only to ships in operation that are classed in accordance with these Rules.

1.1.3

Thickness measurement is to be used to assess ships' hull structures against the specified renewal criteria.

1.1.4

The hull survey requirements are those given, as applicable, in **Pt 1, Ch 2, Sec 1, 2, 3** and **4**.

1.2 Corrosion allowance concept

1.2.1 Corrosion allowance

Corrosion allowance is comprised of two aspects: local and global corrosion, as defined in **Sec 2, [2]**.

1.2.2 Assessment

Assessment against both local and global corrosion renewal criteria is required during the operational life of ships.

Assessment against the newbuilding requirements which incorporate corrosion additions, given in **Ch 3, Sec 3**, and which consider all relevant loads and limit states, e.g. yielding, buckling, and fatigue is not required during the operational life of ships, provided that the measured thickness of any structural members remain greater than the renewal thickness specified in **Sec 2, [2]**.

1.2.3 Steel renewal

Steel renewal is required if either the local or global corrosion allowance is exceeded.

2. Hull Survey Requirements

2.1 General

2.1.1 Minimum hull survey requirements

The minimum hull survey requirements including thickness measurements for the maintenance of class are given in **Pt 1**. Refer to **[1.1.4]**.

Section 2 – Acceptance Criteria

Symbols

$t_{as-built}$: As built thickness, in mm.

t_{c-m} : Measured corrosion in mm.

t_{res} : Reserve thickness, taken equal to 0.5 mm.

$t_{vol-add}$: Thickness for voluntary addition, in mm.

1. General

1.1 Application

1.1.1

This section gives requirements for the application of the acceptance criteria.

1.2 Definition

1.2.1 Deck zone

The deck zone includes all the following items contributing to the hull girder strength:

- Strength deck plating.
- Trunk deck and Inner deck plating
- Sheer strake.
- Side shell plating.
- Inner hull and other longitudinal bulkhead plating, if any.
- Longitudinal stiffeners, girders and stringers connected to the above mentioned plating.

1.2.2 Bottom zone

The bottom zone includes the following items contributing to the hull girder strength:

- Keel plate.
- Bottom plating.
- Bilge plating.
- Bottom girders.
- Inner bottom plating.
- Longitudinal stiffeners connected to the above mentioned plating.
- Side shell plating.

1.2.3 Neutral axis zone

The neutral axis zone includes the following items between the deck zone and the bottom zone, as for example:

- Side shell plating.
- Inner hull plating and longitudinal bulkheads, if any.
- double hull stringer

For the longitudinal strength members forming the web of the hull girder which are inclined to the vertical, the area of the member to be included in the zone area is to be based on the projected area

onto the vertical plane.

2. Renewal Criteria

2.1 Local corrosion

2.1.1 Renewal thickness of local structural elements

Local structural elements include local supporting members and primary supporting members.

Steel renewal is required if the measured thickness, t_m in mm, is less than the renewal thickness, t_{ren} defined as:

$$t_{ren} = t_{as-built} - t_{c-m} - t_{vol-add}$$

$$t_{c-m} = (t_{as-built} - t_{vol-add}) C_{Wear-limit}$$

$C_{Wear-limit}$: Local wear limit defined in **Table 1**.

Table 1 : Local wear limit $C_{Wear-limit}$

| | Name of member | Wear limit |
|---|--|------------|
| | | Class I |
| Local Wear Limit | Strength deck plating, sheer strake including welded longitudinals, shell plating, bottom shell plating, bulkhead plating of deep tank, hopper plating, inner bottom plating, trunk & inner deck plating | 0.2 |
| | Floor & girder of double bottom, deck girder, web and face of primary supporting member | 0.2 |
| | Effective deck plating ³⁾ , superstructure deck plating, watertight bulkhead plating other than bulkhead plating of deep tank, web, face and brackets of secondary stiffener ²⁾ | 0.25 |
| | Partial corrosion (e.g pitting) | 0.3 |
| | (NOTES) | |
| ¹⁾ For ships classed through the Classification Survey after Construction, the separate requirements specified by the Society are to be applied. ²⁾ Secondary stiffener refers to the member which is supported by the primary supporting member and does not support another reinforcement member. ³⁾ Definition of effective deck is specified in Pt 3, Ch 5, 103 of the Rules. | | |

2.1.2 Renewed area

Areas which need to be renewed based on the renewal criteria in **[2.1.1]** are, in general, to be repaired with inserted material which is to have the same or greater grade and yield stress as the original, and to have a thickness, t_{repair} in mm, not less than:

$$t_{repair} = t_{as-built} - t_{vol-add}$$

2.1.3 Alternative solutions

Alternative solutions (Substantial Corrosion) may be adopted in accordance with Pt 1, Ch 2, 202. 1. (31), where the measured thickness, t_m is such as:

$$t_{ren} \leq t_m < t_{ren} + t_{res}$$

Where both sides of a structural member are in void space or dry space, alternative solutions are not applied.

2.2 Global corrosion

2.2.1 Application

The ship's longitudinal strength is to be evaluated by using the thickness of structural members measured, renewed and reinforced, as appropriate, during special surveys, for ships over 10 years of age.

2.2.2 Renewal criteria

The hull girder strength criteria are given as detailed below.

- a) Deck and bottom zones: The current hull girder section modulus at deck and at bottom determined with the thickness measurements are not to be less than 90% of the section modulus calculated according to Ch 5, Sec 1 with the gross offered thickness. Alternatively, the current sectional areas of the bottom zone and of the deck zone which are the sum of the measured item areas of the considered zones are not to be less than 90% of the sectional area of the corresponding zones determined with the gross offered thickness.
- b) Neutral axis zone: The current sectional area of the neutral axis zone, which is the sum of the measured plating areas of this zone, is not to be less than the sectional area of the neutral axis zone calculated with the gross offered thickness minus $0.5t_c$.

If the actual reduction of the gross offered thickness of all items, of a given transverse section, which contribute to the hull girder strength is less than 10% for the deck and bottom zones and $0.5t_c$ for the neutral axis zone, the hull girder strength criteria of this transverse section is satisfied and the calculations of the different zone areas with measured thicknesses need not be carried out. ↓

Rules for the Classification of Steel Ships

**PART 15 STRUCTURAL RULES FOR
MEMBRANE TYPE LIQUEFIED NATURAL GAS
CARRIERS**

Published by

KOREAN REGISTER

36, Myeongji ocean city 9-ro, Gangseo-gu,
BUSAN, KOREA

TEL : +82 70 8799 7114

FAX : +82 70 8799 8999

Website : <http://www.krs.co.kr>

Copyright© 2023, **KR**

Reproduction of this Rules in whole or in parts is prohibited
without permission of the publisher.